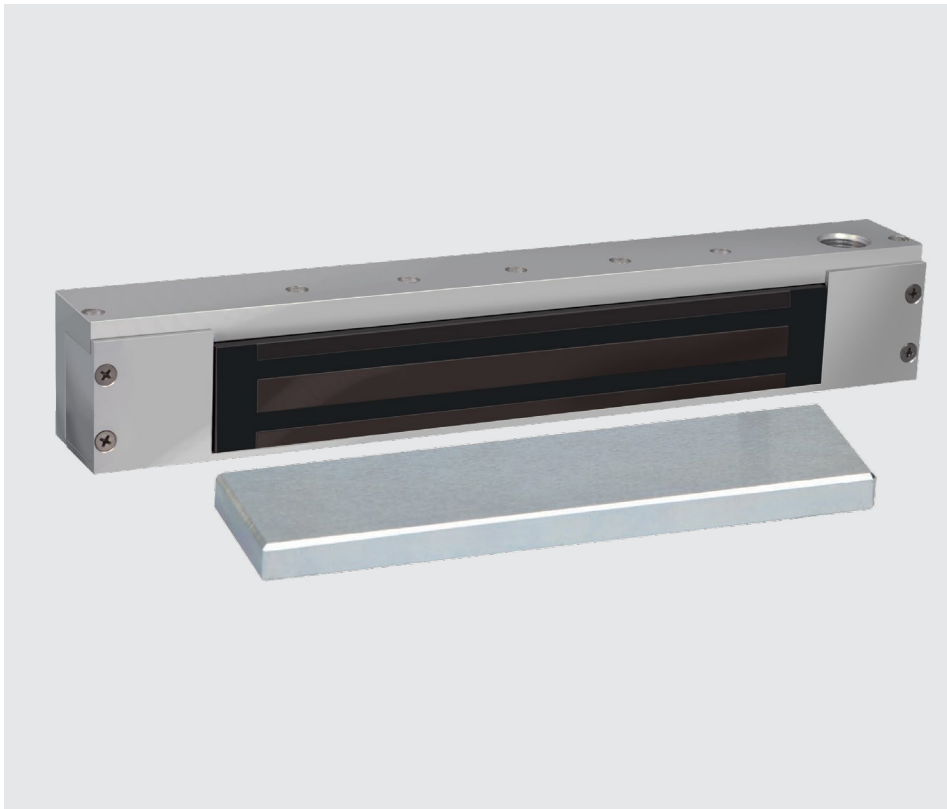


RCI 171HD

Magnetic lock for hazardous locations



- Low projections from header. This will accommodate most door conditions without the need for filler plate or special bracket
- Low energy consumption; 0.26 amp @ 24VDC 0.50 amp @ 12VDC. 24VDC furnished as standard voltage. 12VDC available upon request
- 1200 lbs. holding force
- Door position switch (DPS) standard feature
- Built-in surge protection
- Easy installation and maintenance
- No pins, latches or moving parts to avoid failure that could impede safe egress in an emergency situation
- Satin anodized aluminum finish
- Hazardous locations door holders:
 - Category – FDGF. Class I, Division 2 compliant
 - Tested to UL228 - door closers-holders with/without integral smoke detectors
 - File number – E146590
- Releasing devices:
 - Category – SZNT
 - Tested to ANSI/UL864 - control units and accessories for fire alarm systems
 - File number – S5020

Specifically designed for hazardous locations, the RCI 171HD magnetic lock is a UL/ULC Listed magnetic lock that meets the requirements for Class I, Division 2 applications.

The 171HD offers continuous monitoring capability for open/close status or attempted unauthorized entry.

The fail-safe magnets offer the ability to securely lock fire exit doors, while also powering down when signaled to do so by an appropriate door control unit.

Designed for easy installation and maintenance, the 171HD will accommodate most doors and frame conditions without requiring a filler plate or a special bracket.

Also available

- RCI ZB171HD for single in-swinging doors, pull side mount
- Includes "Z" bracket inswing assembly kit



Energy
260mA¹ 24VDC
¹12VDC available upon request



Monitor
Door position status sensor



Strength
1200lb holding force

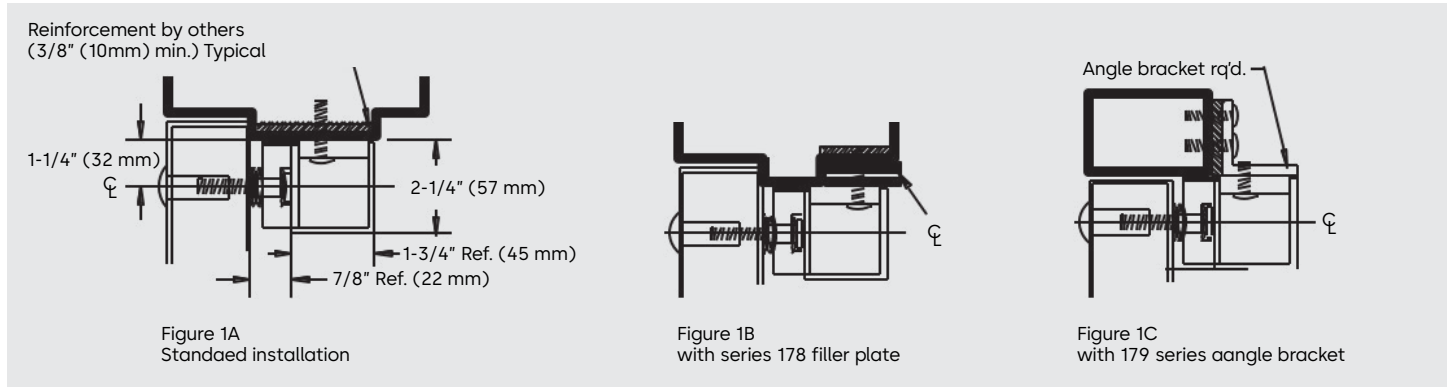


Mode
Fail-safe

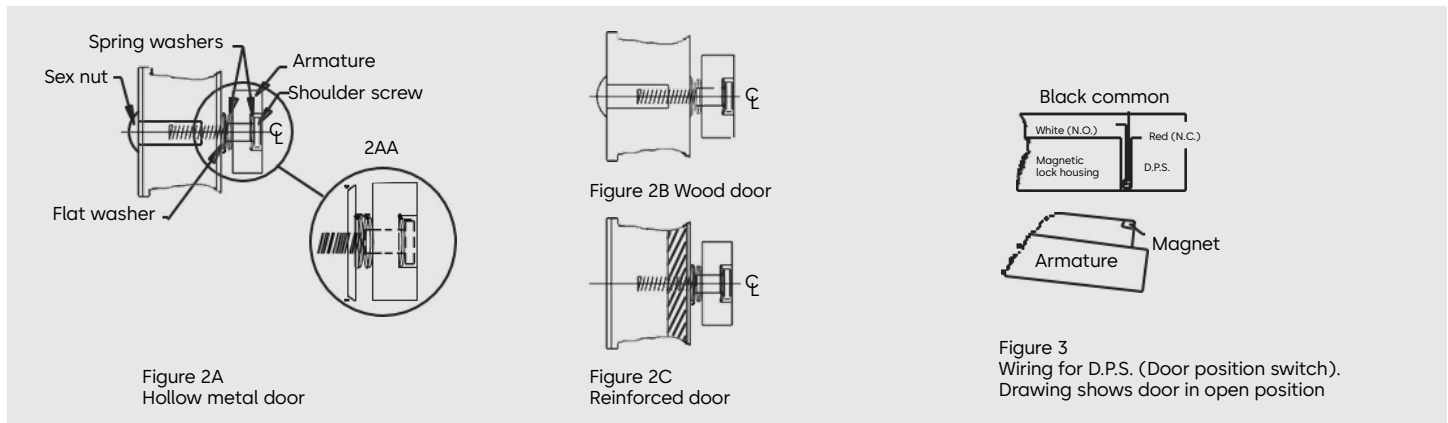
Accessories

- RCI AB179NR-258** 1/2"H x 2-5/8"W x 14"L single angle bracket. With no reveal.
- RCI AB179R-118-158** 1"H x 1"W x 14"L single angle bracket. With -1/8" to 1-5/8" reveal.
- RCI AB179R-58-1** 1-1/2"H x 2"W x 14"L single angle bracket. With 5/8" to 1" reveal.
- RCI FP178-12** 1/2"H x 1-1/4"W x 14"L single filler plate.
- RCI FP178-58** 5/8"H x 1-1/4"W x 14"L single filler plate.

Magnetic lock mounting to frame Figure 1



Armature mounting to door(s) Figure 2

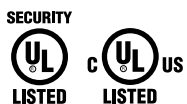


Specifications

- 14"W x 1-3/4"H x 2"D (355mm x 45mm x 51mm)
- Armature plate: 10-3/4"W x 1-3/4"H x 5/8"D (273mm x 45mm x 16mm)

Electrical specifications

Current draw	0.50 AMPS @12VDC 0.26 AMPS @ 24VDC
Wire color code	Orange/Orange (12VDC) Red/Red (24VDC)
Holding force	1200 LB (544 KG)



© dormakaba 2024 Information on this sheet is intended for general use only. dormakaba reserves the right to alter designs and specifications without notice or obligation.

Any questions? We would be happy to advise you.
Contact us at: 1-800-265-6630