

LEGEND

- KEY SWITCH CONTROL
- CEILING SUPPORT & HANGER
- CEILING ACCESS PANEL

NOTE: ALL SUPPORT STEEL IS BY OTHERS.

PRELIMINARY:
THIS DRAWING IS INTENDED AS A GUIDE. IN ALL CASES SKYFOLD SHOP DRAWINGS SPECIFIC TO EACH PROJECT ARE REQUIRED FOR FINAL BUILD-TO DIMENSIONS.

****C-CHANNEL DESIGNATION:**

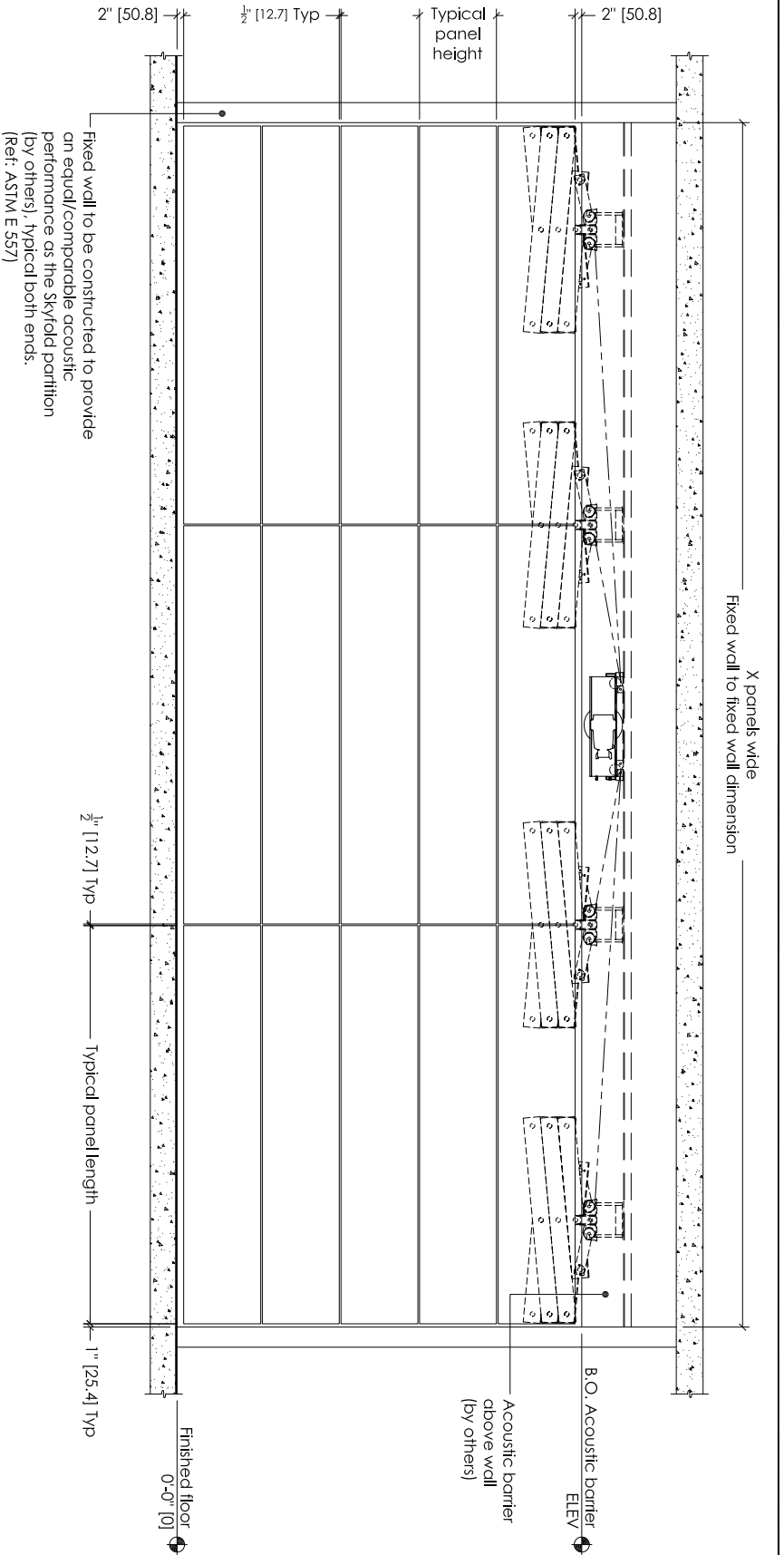
NORTH & SOUTH =	C8 x 11.5
AMERICA	[C200 x 17]
EUROPE =	C200 x 75
ASIA =	C200 x 80

NOTE:
C-CHANNEL IS INSTALLED WITH FLANGES UP.

SKYFOLD
classic™ series

TYPICAL ODD SKYFOLD WALL
Standard drive unit

PLAN



NOTE:

FINISHED FLOOR +1/4" [+6] / -0 [-0] FROM FLAT LEVEL

FIXED WALL +1/4" [+6] / -0 [-0] FROM FLAT LEVEL

NOTE: ALL SUPPORT STEEL IS BY OTHERS.

PRELIMINARY:
THIS DRAWING IS INTENDED AS A GUIDE. IN ALL CASES SKYFOLD SHOP DRAWINGS SPECIFIC TO EACH PROJECT ARE REQUIRED FOR FINAL BUILD-TO DIMENSIONS.


****C-CHANNEL DESIGNATION:**

NORTH & SOUTH = C8 x 11.5
AMERICA [C200 x 17]

EUROPE = C200 x 75

ASIA = C200 x 80

NOTE:
C-CHANNEL IS INSTALLED WITH FLANGES UP.



SKYFOLD
Classic™ series

TYPICAL ODD SKYFOLD WALL
Standard drive unit

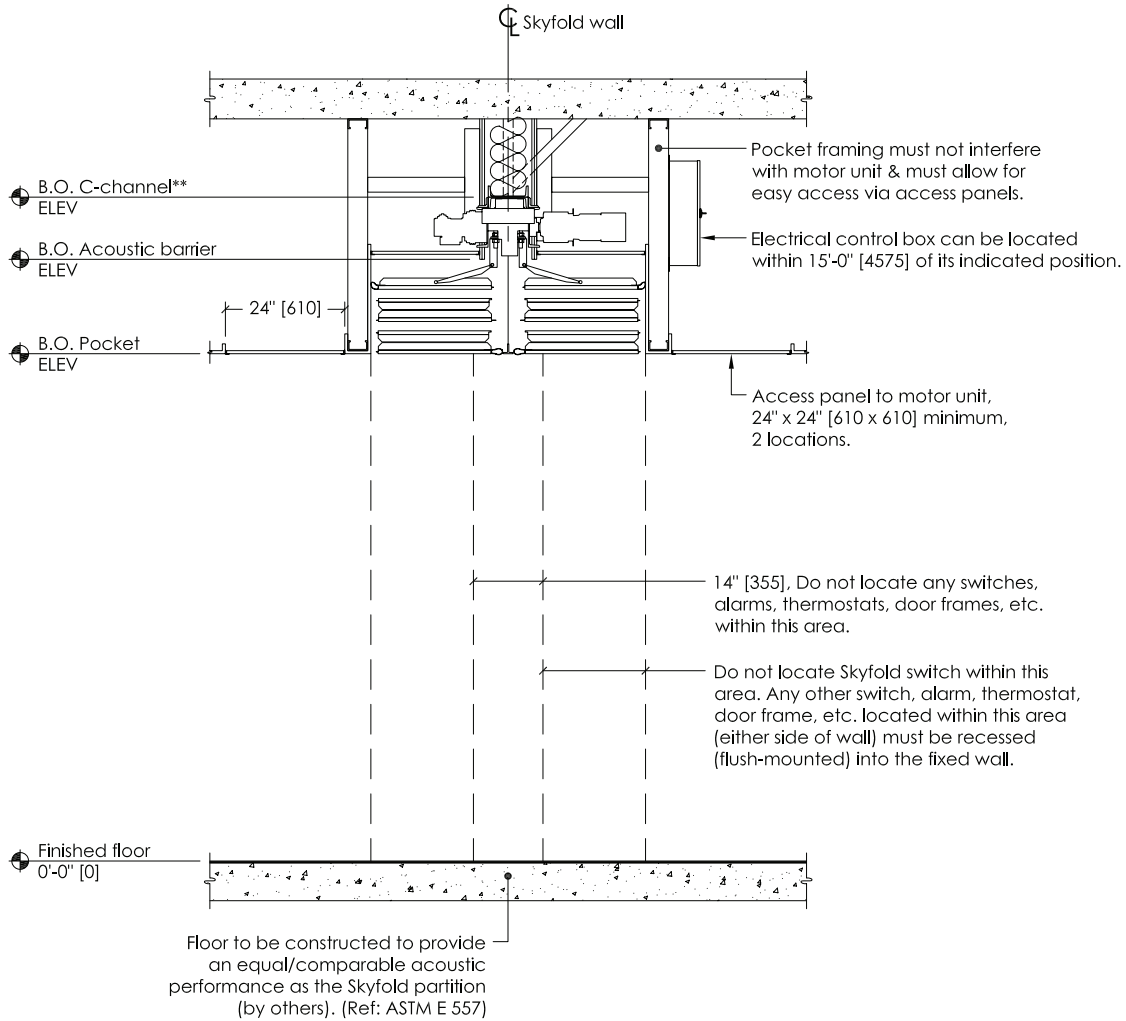
ELEVATION

DRAWING NO. **S5312-2 R1**

SCALE **N.T.S.**

© 2011 BALTECH LTD.

Standard motor unit & ceiling supports to be attached to C-channel** before construction of acoustic barrier & pocket.



****C-CHANNEL DESIGNATION:**

NORTH & SOUTH = C8 x 11.5
 AMERICA [C200 x 17]
 EUROPE = C200 x 75
 ASIA = C200 x 80

NOTE:
 C-CHANNEL IS INSTALLED WITH
 FLANGES UP.



NOTE: ALL SUPPORT STEEL IS BY OTHERS.

PRELIMINARY:

THIS DRAWING IS INTENDED AS A GUIDE. IN ALL CASES SKYFOLD SHOP DRAWINGS SPECIFIC TO EACH PROJECT ARE REQUIRED FOR FINAL BUILD-TO DIMENSIONS.

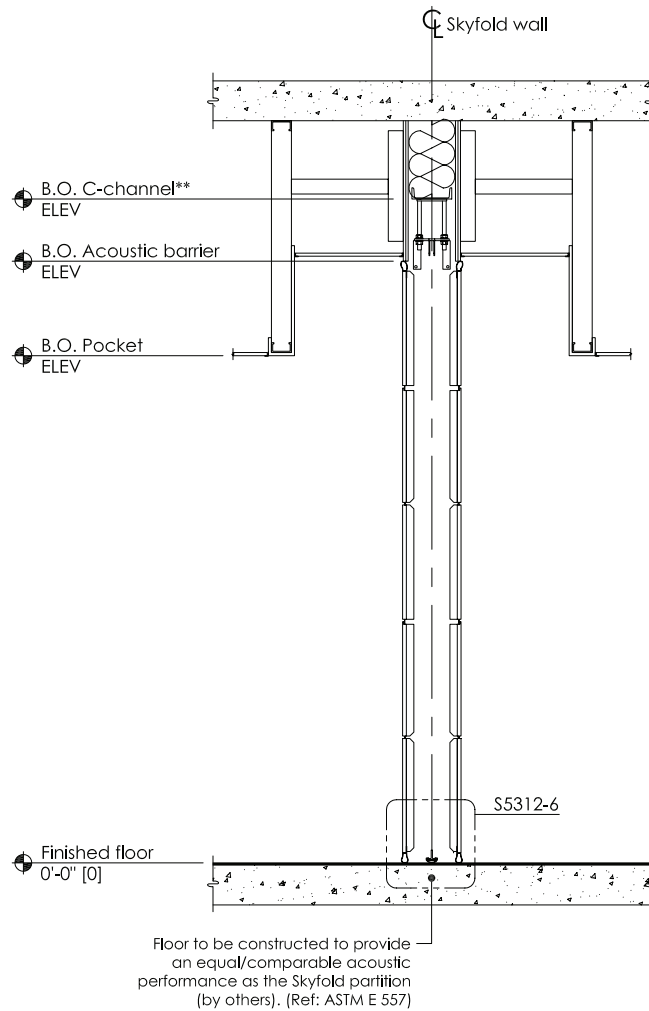


TYPICAL ODD SKYFOLD WALL
 Standard drive unit

SECTION: WALL UP

drawing no. **S5312-3 R1** scale **N.T.S.**

Standard motor unit & ceiling supports to be attached to C-channel** before construction of acoustic barrier & pocket.



****C-CHANNEL DESIGNATION:**

NORTH & SOUTH = C8 x 11.5
 AMERICA [C200 x 17]
 EUROPE = C200 x 75
 ASIA = C200 x 80

NOTE:
 C-CHANNEL IS INSTALLED WITH
 FLANGES UP.



NOTE: ALL SUPPORT STEEL IS BY OTHERS.

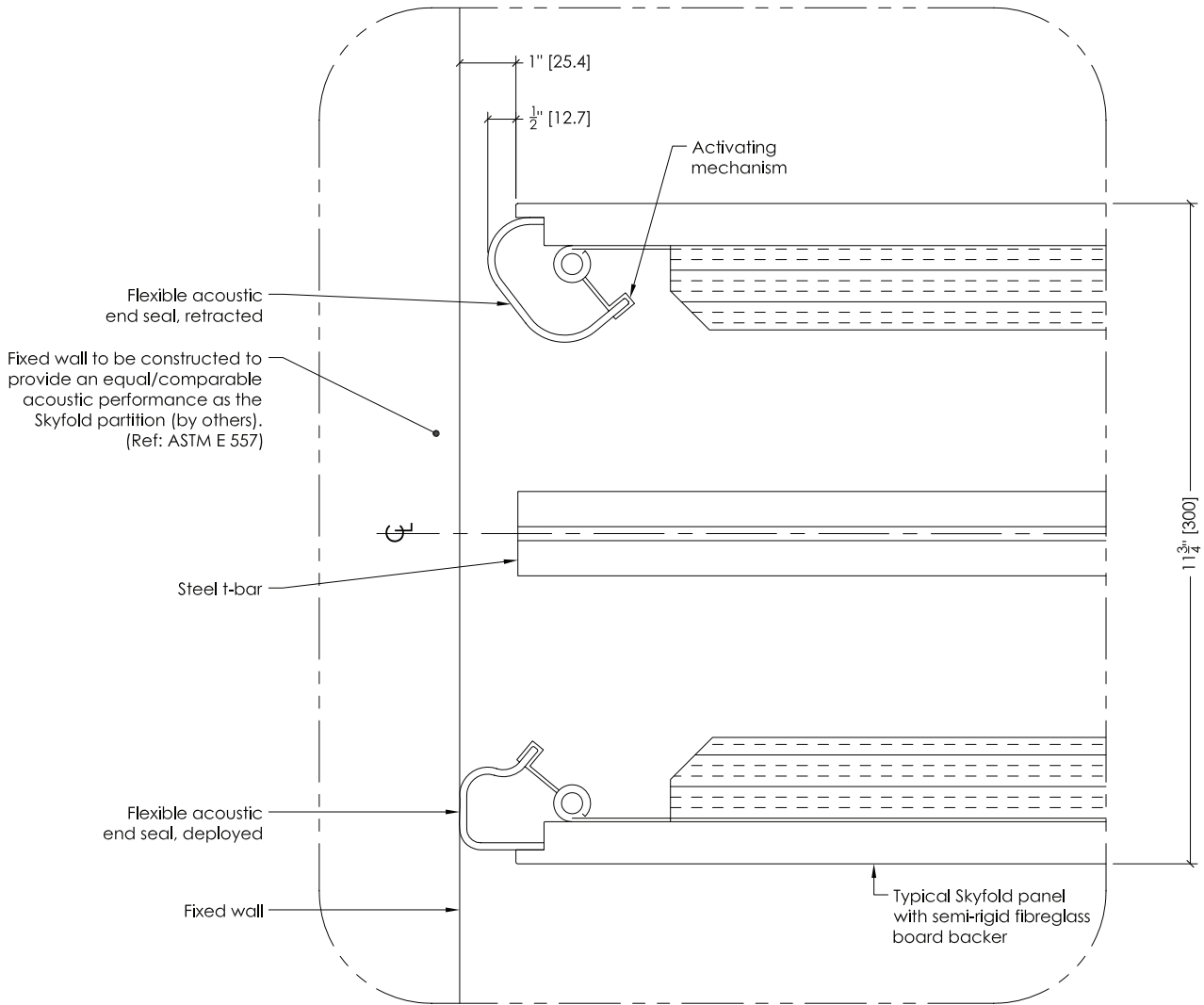
PRELIMINARY:
 THIS DRAWING IS INTENDED AS A GUIDE. IN ALL CASES
 SKYFOLD SHOP DRAWINGS SPECIFIC TO EACH PROJECT
 ARE REQUIRED FOR FINAL BUILD-TO DIMENSIONS.

SKYFOLD®
classic™ series

TYPICAL ODD SKYFOLD WALL
 Standard drive unit

SECTION: WALL DOWN

drawing no. **S5312-4 R1** scale **N.T.S.**



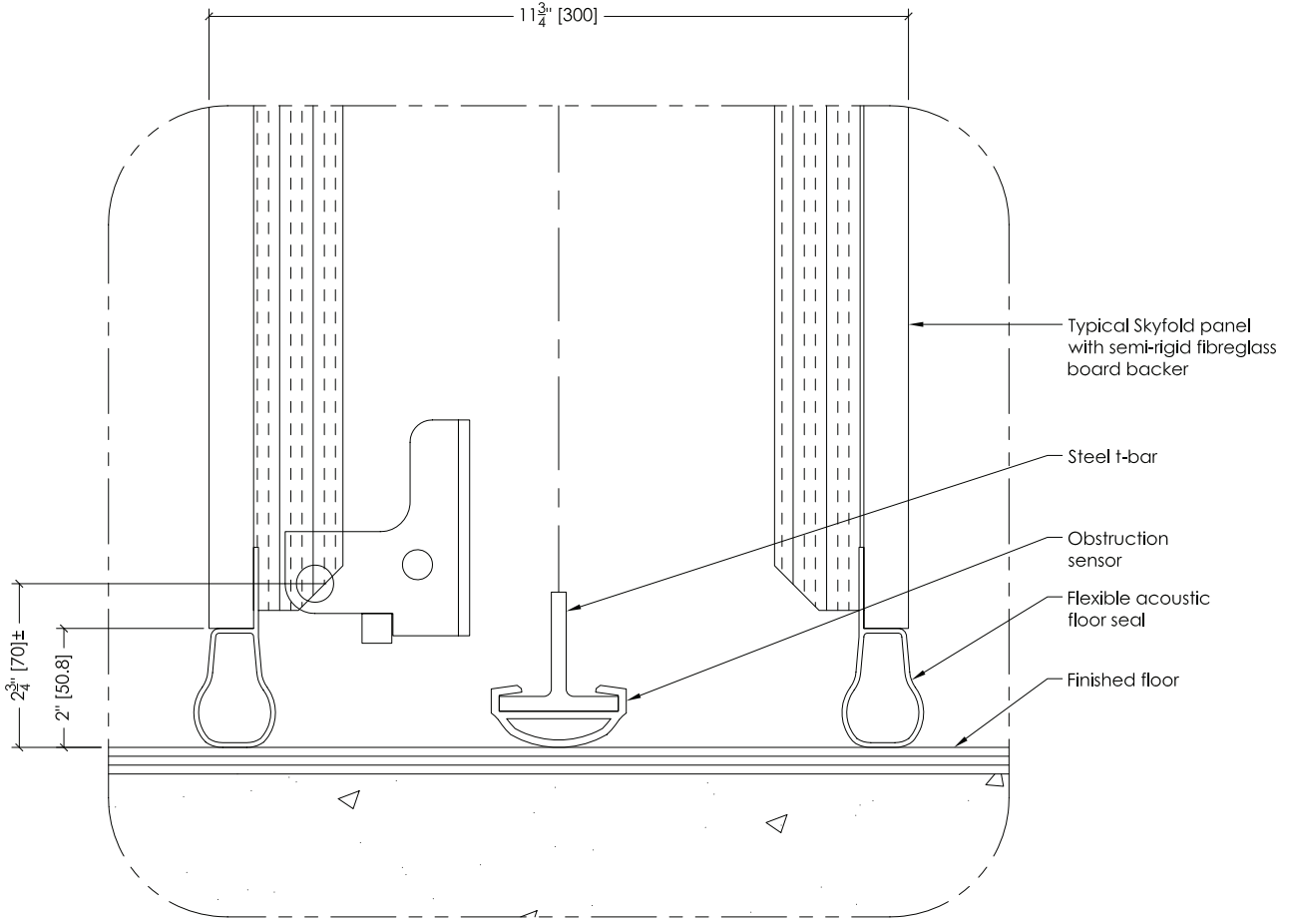
PRELIMINARY:
 THIS DRAWING IS INTENDED AS A GUIDE. IN ALL CASES
 SKYFOLD SHOP DRAWINGS SPECIFIC TO EACH PROJECT
 ARE REQUIRED FOR FINAL BUILD-TO DIMENSIONS.

SKYFOLD®
classic™ series

TYPICAL ODD SKYFOLD WALL
 Standard drive unit

END SEAL DETAIL

drawing no. **S5312-5 R1** scale **N.T.S.**



PRELIMINARY:
 THIS DRAWING IS INTENDED AS A GUIDE. IN ALL CASES
 SKYFOLD SHOP DRAWINGS SPECIFIC TO EACH PROJECT
 ARE REQUIRED FOR FINAL BUILD-TO DIMENSIONS.

SKYFOLD®
classic™ series

TYPICAL ODD SKYFOLD WALL
 Standard drive unit

FLOOR SEAL DETAIL

drawing no. scale
S5312-6 R1 N.T.S.