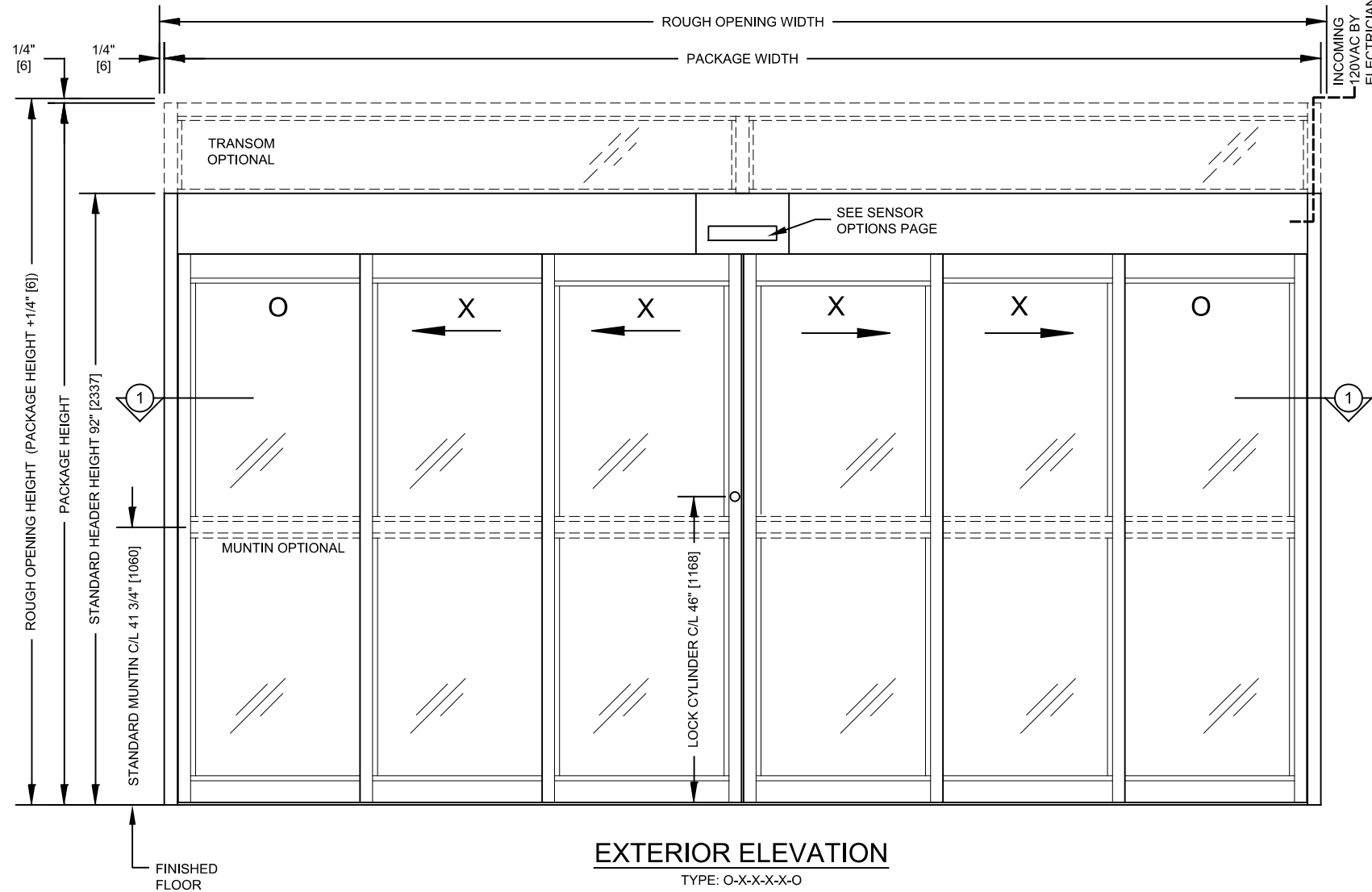
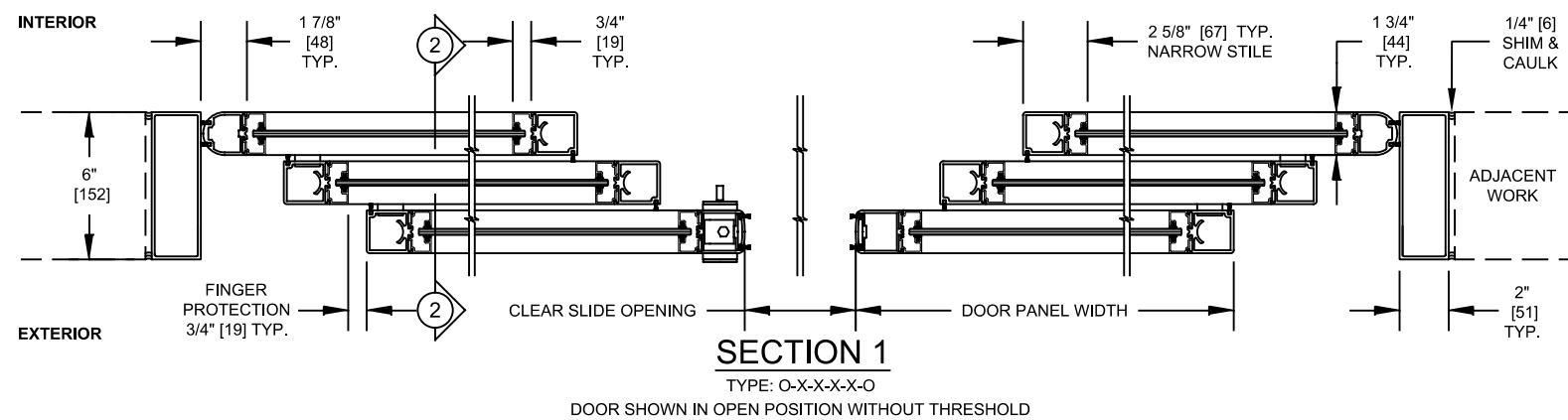


SECTION 2
TYPE: O-X-X-X-X-O



EXTERIOR ELEVATION
TYPE: O-X-X-X-X-O



SECTION 1
TYPE: O-X-X-X-X-O

DOOR SHOWN IN OPEN POSITION WITHOUT THRESHOLD

Package Width	Rough Opening Width	Clear Slide Opening	Door Panel Width
(13'-0") 156" [3962]	156 1/2" [3975]	84" [2134]	27" [686]
(14'-0") 168" [4267]	168 1/2" [4280]	92" [2337]	29" [737]
(15'-0") 180" [4572]	180 1/2" [4585]	100" [2540]	31" [787]
(16'-0") 192" [4877]	192 1/2" [4890]	108" [2743]	33" [838]
Width Formulas	Package Width + 1/2" [13]	(Package Width x 2/3) - 20" [508]	(Package Width / 6) + 1" [25]

- This Bi-part Telescopic door package consists of:
 - Operator:
 - Two combination motion/presence sensors (one on each side) (See sensor options page).
 - ESA II motor drive unit with self-learning and self-monitoring microprocessor controller.
 - Jamb mounted 5 function rocker switch panel (see mode switch options page).
 - Panels:
 - 2-5/8" [67] Narrow stile door panels (including 3/4" [19] wide glass stop).
 - 3-1/4" [83] Optional muntin mounted at 41-3/4" [1060] centerline on all panels (including 3/4" [19] wide glass stop).
 - 4" [102] Bottom rails (including 3/4" [19] wide glass stop).
 - 2" [51] x 6" [152] Smooth jambs.
 - Vertical and horizontal brush type weather stripping (AAMA-701-11Class A).
 - Manual mortise lock with thumb turn and key cylinder.
 - 3/4" [19] wide snap-in glass stops for glazing from 1/4" [6] to 1-1/4" [32] thick at 1/8" [3] increments.
 - Non-breakaway sliding door panels (X) and fixed sidelights (O) panels.
 - Finishes:
 - Clear anodized (BHMA 204).
 - Dark Bronze anodized (BHMA 313).
- Optional Transom:
 - Single vertical 2" [51] x 6" [152] smooth mullion (Standard). Multiple verticals available.
 - Glass thickness options 1/4" [6] thru 1-1/4" [32] at 1/8" [3] increments.
 - Snap-in sash on all sides.
- Typical Package Options:
 - Finishes: special anodized, PVDF (wet) paint, powder coat, and cladding available for header, panels and jambs only.
 - Muntins: multiple muntins, various heights and locations.
 - Bottom Rails: 7" [178], 10" [254]. Other options available.
 - Santoprene rubber weather stripping available.
 - Locking and Security Options:
 - Fail-safe autolock sliding carrier lock concealed in header.
 - 2-point lock and reinforced strike.
 - Security contacts.
 - Keyed mode switch panel (5 function or 3 function) (see mode switch options page).
- Dimensions:
 - Drawing dimensions are in English & Metric units. Metric units are displayed as: 1" [25] millimeters.
 - Package Dimensions: (May be limited by panel weight)
 - Package Width: Min. 13' [3962] to Max. 16' [4877].
 - Header Height: Min. 7'-4 1/2" Max. 10' [2234].
 - Package Height: Max. 12' [3658] with Transom.
 - X Panel Weight: Max. Weight 280 lbs [127kg].
 - Maximum special application limits / custom packages: (Sizes may be restricted due to complexity and application). (Please contact dormakaba Architectural Services for dimensions **outside of typical sizes above**)
 - Package Width: Max. 21' [6401].
 - Package Height: Max. 14' [4267].
 - Header Height: Max. 12' [3658].
 - Transom Height: Min. 8" [203] to Max. 2' [610].
 - X Panel Width: Max. Width 72" [1829].
- The maximum self-supported header width is 16' with 200 lb [90kg] X Panels.
- Power Requirements:
 - 120V +/- 10%, 50/60 Hz, 6.6A peak, 250 W. Up to 4 operators on a single 20A breaker. Service to header by electrician.
- Standards of Compliance:
 - UL 325 & CSA 22.2 (listed with ETL).
 - Designed to comply with these standards depending on installation and application:
 - International Building Code (Section 1008).
 - ANSI/ BHMA 156.10.
 - ANSI/ BHMA 156.38.
 - NFPA 101 Life Safety Code (Section 7.2.1.9).
 - Refer to Local, State, National or AHJ. Building Code for minimum door height and minimum/maximum width allowable for egress requirements.
 - Minimum ADA is 32" clear slide opening.
- Contact dormakaba Architectural Services for more information:
 - Phone: 1-844-SPEC-NOW (1-844-773-2669)

NOTE: THIS PRODUCT DOES NOT BREAK OUT, NOT INTENDED FOR EMERGENCY EGRESS.