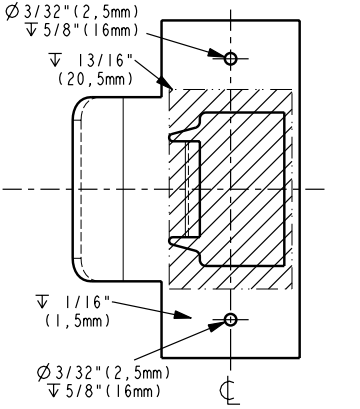
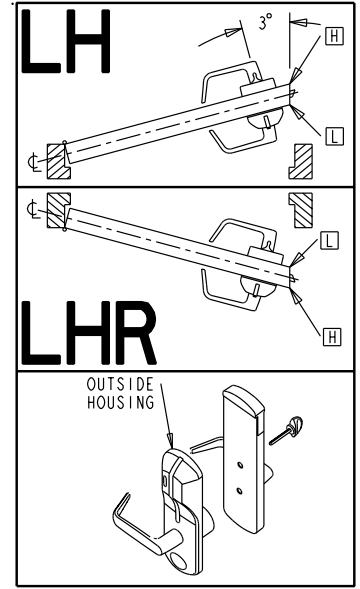
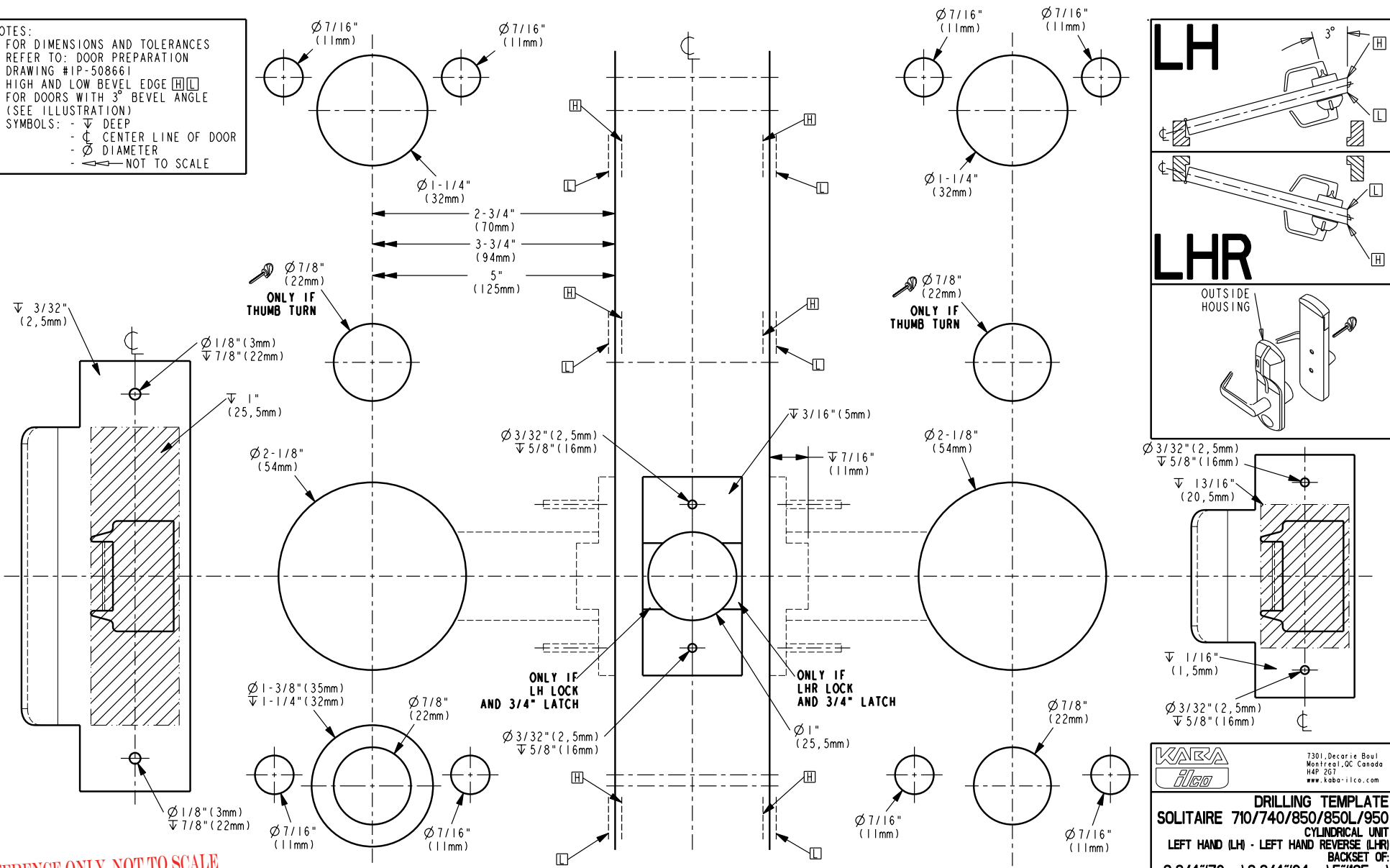


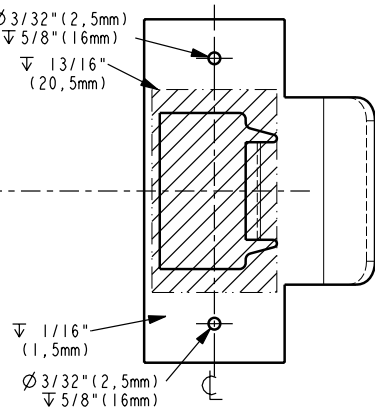
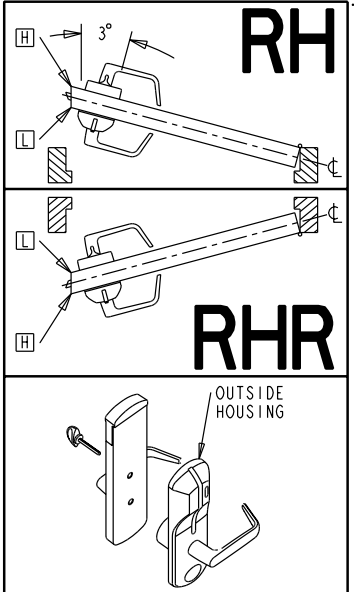
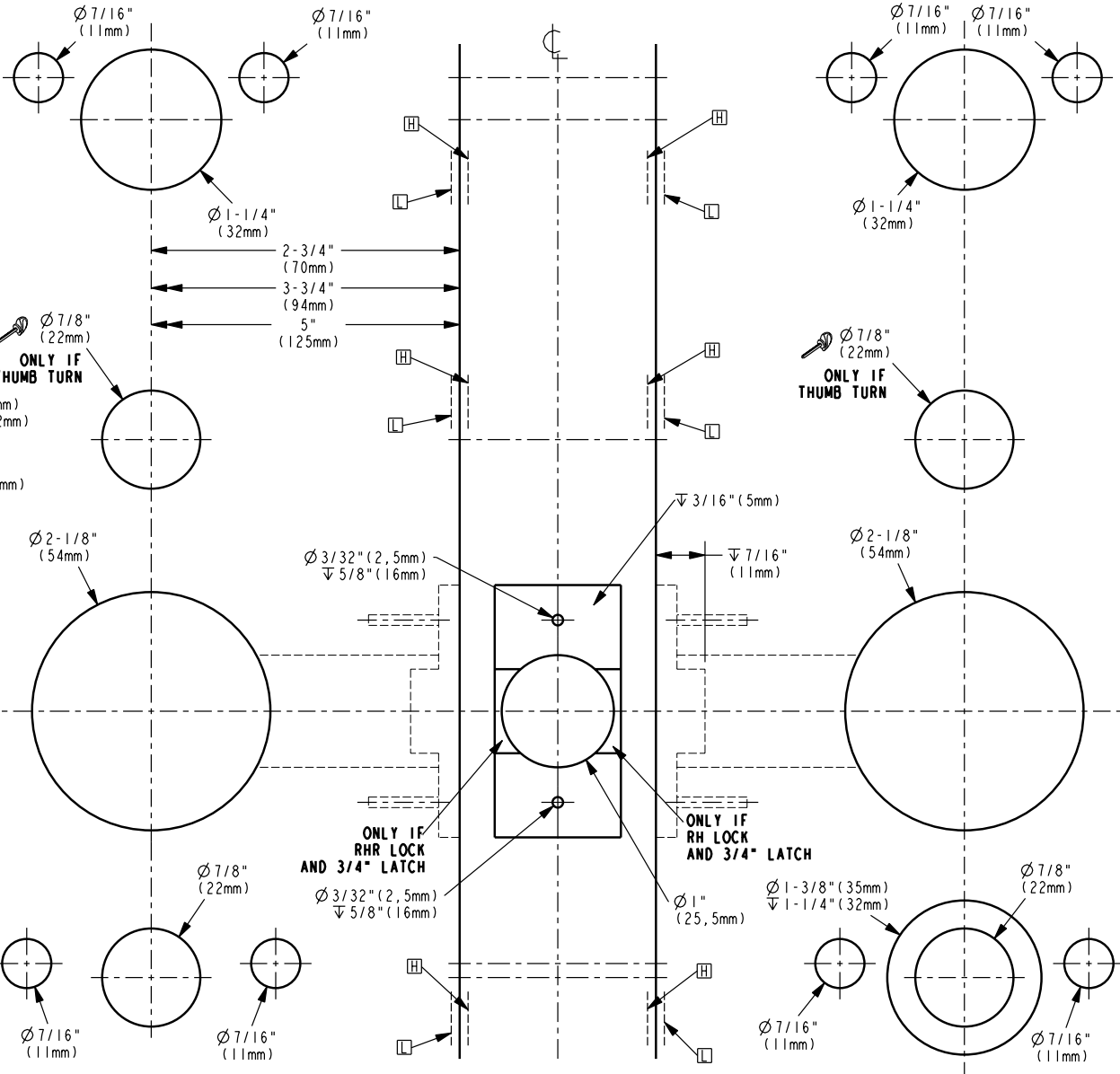
NOTES:
 - FOR DIMENSIONS AND TOLERANCES REFER TO: DOOR PREPARATION DRAWING #IP-508661
 - HIGH AND LOW BEVEL EDGE \square \square FOR DOORS WITH 3° BEVEL ANGLE (SEE ILLUSTRATION)
 - SYMBOLS: - ∇ DEEP
 - \odot CENTER LINE OF DOOR
 - \varnothing DIAMETER
 - \dashv NOT TO SCALE



		7301, Decarie Boul Montreal, QC Canada H4P 2G1 www.kaba-ilco.com	
DRILLING TEMPLATE			
SOLAIRE 710/740/850/850L/950			
CYLINDRICAL UNIT			
LEFT HAND (LH) - LEFT HAND REVERSE (LHR)			
BACKSET OF:			
2-3/4"(70mm), 3-3/4"(94mm), 5"(125mm)			
DT-508661	SHEET 1 OF 2	REV-5	ECN-9798

REFERENCE ONLY, NOT TO SCALE
 DO NOT USE AS A DRILLING TEMPLATE
 CALL 800-849-8324

NOTES:
 - FOR DIMENSIONS AND TOLERANCES REFER TO: DOOR PREPARATION DRAWING #IP-508661
 - HIGH AND LOW BEVEL EDGE \square \square FOR DOORS WITH 3° BEVEL ANGLE (SEE ILLUSTRATION)
 - SYMBOLS: - ∇ DEEP
 - \ominus CENTER LINE OF DOOR
 - \varnothing DIAMETER
 - \leftarrow NOT TO SCALE



KABA
Ilco

7301, Decarie Boul
 Montreal, QC Canada
 H4P 2G7
 www.kaba-ilco.com

DRILLING TEMPLATE
SOLAIRE 710/740/850/850L/950
 CYLINDRICAL UNIT
 RIGHT HAND (RH) - RIGHT HAND REVERSE (RHR)
 BACKSET OF:
 2-3/4"(70mm), 3-3/4"(94mm), 5"(125mm)

DT-508661 SHEET 2 OF 2 REV-5 ECN-9798

REFERENCE ONLY, NOT TO SCALE
DO NOT USE AS A DRILLING TEMPLATE
 CALL 800-849-8324