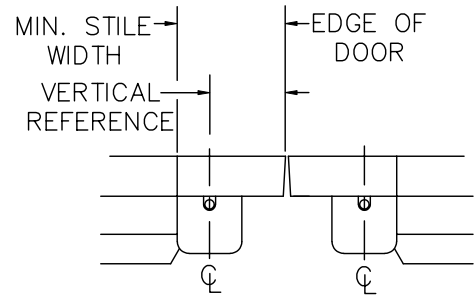
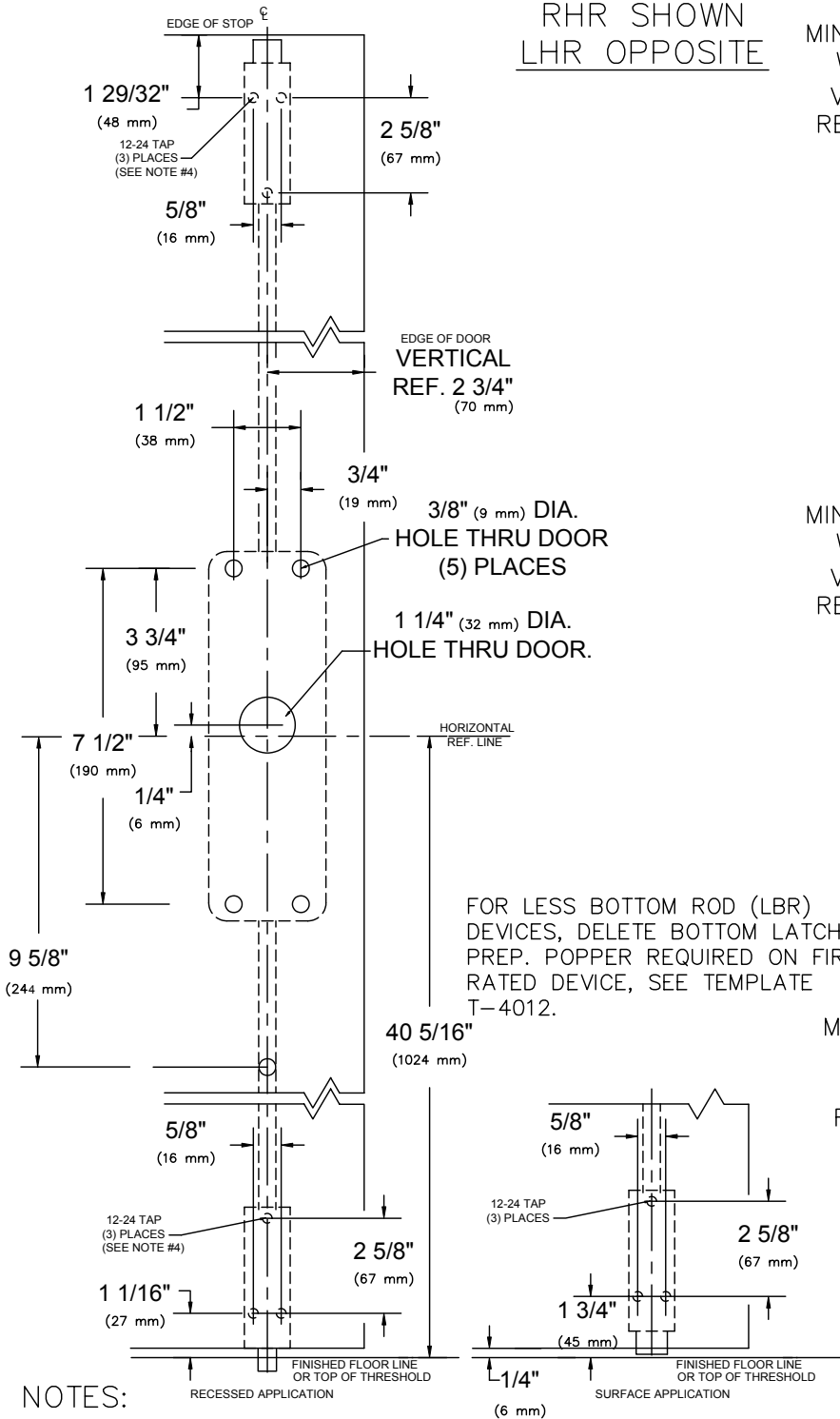
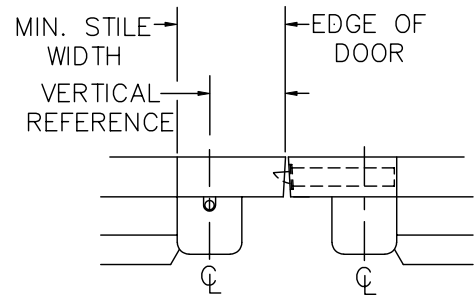


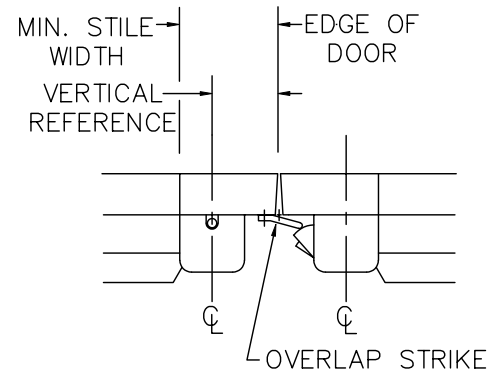
RHR SHOWN  
LHR OPPOSITE



VERTICAL REFERENCE	MINIMUM STILE WIDTH
2 3/4" (70 mm)	4 3/16" (106 mm)



VERTICAL REFERENCE	MINIMUM STILE WIDTH
2 3/4" (70 mm)	4 3/16" (106 mm)



STRIKE	VERT. REF.	MIN. STILE
320	2 1/2" (64 mm)	4" (102 mm)

NOTES:

1. SEE MASTER SHEET #T-0001 FOR SUGGESTED DOOR REINFORCEMENT.
2. SEE ADDITIONAL TRIM TEMPLATE WHEN REQUIRED.
3. DEVICE WILL COVER STANDARD SDI CUTOUT.
4. FOR SEX NUTS USE 3/8" DRILL.

REV. No. 5

REVISION: Trim Designation

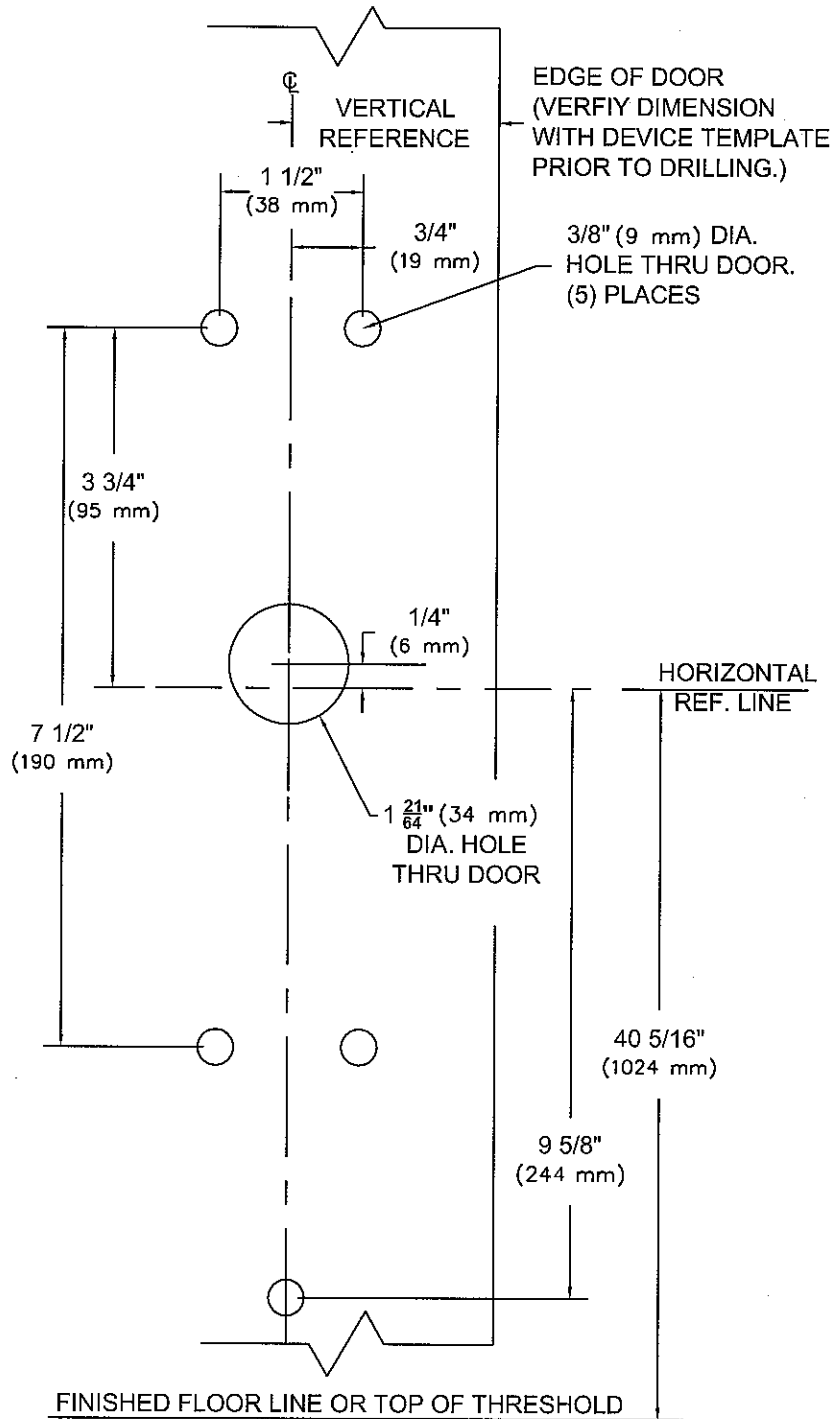
DATE: 12-31-03



9400 & F9400 x V003, V103 or V303  
9400 & F9400 x NPT03, PTT03 or PRT03  
VERTICAL ROD EXIT DEVICE

TEMPLATE NUMBER  
T-9405 ©

RHR SHOWN  
LHR OPPOSITE



NOTES:

1. SEE MASTER SHEET #T-0001 FOR SUGGESTED DOOR REINFORCEMENT.
2. SEE ADDITIONAL DEVICE TEMPLATE WHEN REQUIRED.
3. "T" STYLE TRIM WILL COVER STANDARD SDI CUTOUT, REQUIRES 80CK KIT.

REV. No. 6

REVISION: Hole Dia.

DATE: 5-15-06



V003, V103, V303  
NPT03, PTT03, PRT03  
TRIM

TEMPLATE NUMBER  
T-9004 ©