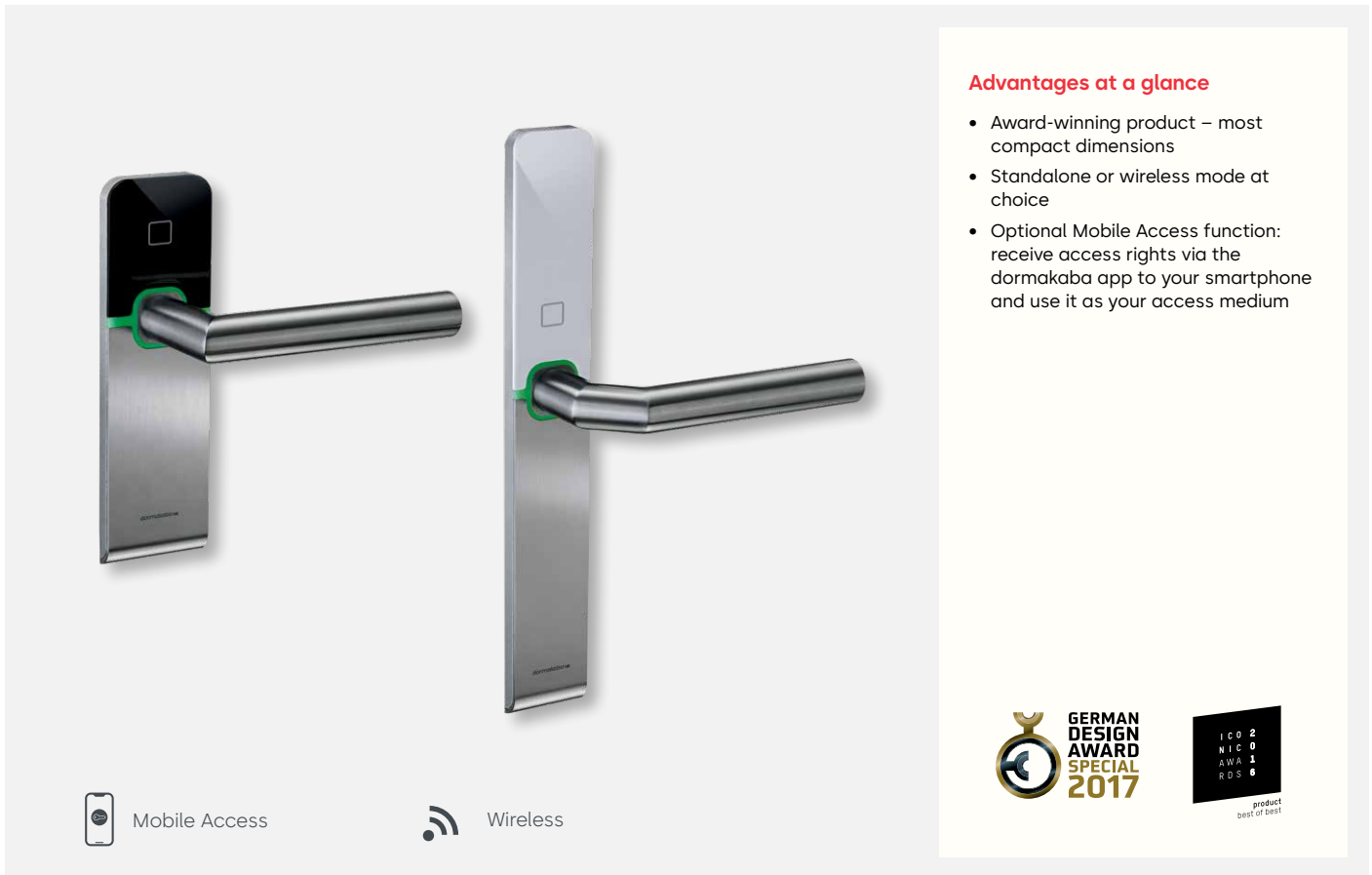


dormakaba c-lever air

The flattest electronic door lock



Advantages at a glance

- Award-winning product – most compact dimensions
- Standalone or wireless mode at choice
- Optional Mobile Access function: receive access rights via the dormakaba app to your smartphone and use it as your access medium



Elegant and compact design

Control access to the right areas at the right times with the c-lever air, our electronic door furniture which is as slim as a normal door plate.

The c-lever air meets high aesthetic and functional demands for your access control. A special feature is its thin door leaf design, which at 10.5 to 11.5 mm generally makes it possible to continue using existing lock cylinders. Its flat design has already been awarded a few times. The c-lever air is part of the dormakaba evolo standalone portfolio.

No wiring is required within the door because the unit is operated with two standard batteries. Combined with lever handle elements on the inside, the same look can be obtained on all doors.

Latest technology

The c-lever air can be integrated into all dormakaba system solutions and supports the latest RFID technologies.

With the selectable wireless function you can transmit your access rights from your computer to the components via radio. Benefit from the advantages of this function, for instance in terms of security, programming and maintenance.

Ready to use

The c-lever air can be used on interior doors, for example on design-oriented architecture, in modern offices or museums and galleries.

Easy to use – high performance

Open the door as usual, whether it is with a card, key fob, a key with RFID or a smartphone – the digital lighting unit will flash green after you present your access medium, and you can open the door pushing the lever handle.

Installation

The c-lever air can be installed indoors on narrow stile or solid leaf doors made of wood or metal. It takes only a few minutes. Please follow the operating instructions, which contain further information on technical data, tests and maintenance.

Programming

The c-lever air is easy to program and suitable both for individual doors and as an element of a large access system. Depending on the selected features and administration software, different programming options are available: For example, access rights may be transmitted either remotely from your PC, with the programming device, via App or with the programming card directly to the electronic door lock.

Essential features

The device software supports all dormakaba system solutions and its functions also include:

- Number of access media: - with whitelist up to 4,000
- nearly unlimited with CardLink or AoC (Access on Card)
- Internal clock and configurable time profiles
- Time-limited assignment of access rights (validation)
- Saving of last 2,000 events (can be disabled)

A universal portfolio

Our range includes a variety of combinable products in the same high-quality design. They can be seamlessly integrated into mechanical, standalone or online dormakaba systems.

Technical data

Supported standards

- LEGIC (advant & prime)
- MIFARE (DESFire & Classic)
- OSS-SO Version 2021-06
(LEGIC advant, MIFARE DESFire)

Types

- Wide version (for solid leaf doors) and narrow version (for hollow profiled doors)
- Euro profile, Swiss round profile
- Centre distance (version-dependent):
 - Wide: 70 to 78 mm;
 - Narrow: 70 to 94 mm
- Lever handle:
 - standard (8906), U-shaped (8906V), designer (8115), U-shaped (8116V)

Options

- Black or white cover
- Available lever handle designs
- Available functions: wireless, Mobile Access

Dimensions (W x H x D)

- Wide shield: 52 x 180 x 10.5 mm
- Narrow shield: 40 x 282 x 11.5 mm
- Door thicknesses 35 to 110 mm

Power supply

- Two batteries 1.5 V AA L91, FR6

Environment/service life

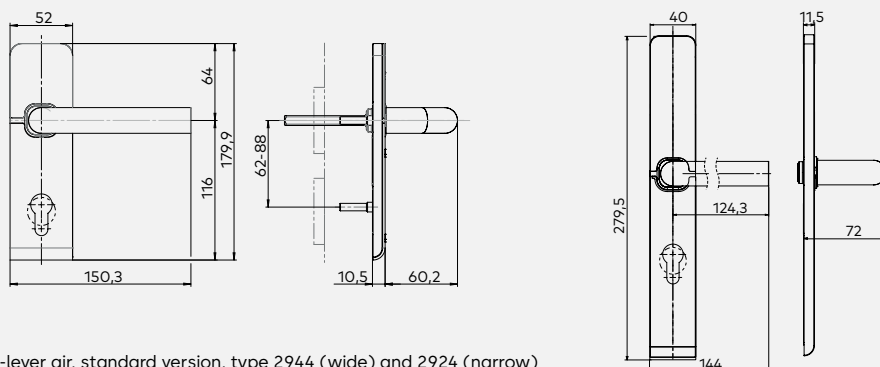
- Temperature: -20 °C to +55 °C
- Protection class: IP54
- Humidity: 0 % to 90 % rH, non-condensing
- Service life of batteries at 20 °C: up to 120,000 cycles or up to 3 years

Certificates

- Building hardware: EN 16867: 3 7 - B 1 4 D 0 0
- Fire/smoke protection: tested in accordance with EN 1634-1 and -3
- Emergency exit: EN 179 (with corresponding locks and handles)
- Environmental product declaration: EPD in preparation

Note: The scope of this product's functions depends on the system environment selected. You can find further details and order information in the relevant dormakaba catalogue or in the system description.

Subject to changes without prior notice.
Version 06/2023. © 2023 dormakaba.



c-lever air, standard version, type 2944 (wide) and 2924 (narrow)
Display of EU cylinder profiles (continuous line) and Swiss round profile (dashed line)

Any questions?

We would be happy to answer any questions you may have.