



# Mechanical Channel

## Installation instructions

807002 – 09-2017

| EN |

dormakaba 

# Table of contents

<b>1</b>	<b>Technical specifications</b>	<b>3</b>
1.1	Overview	3
	1.1.1 General information	3
	1.1.2 Intended use	3
	1.1.3 Glass requirements/fittings/mounting	3
	1.1.4 Requirements for glass panel	3
	1.1.5 Safety instructions	3
	1.1.6 Symbols used - Safety/Installation	3
	1.1.7 Maintenance, care, repair	3
	1.1.8 Disposal	3
<b>2</b>	<b>Installation instructions</b>	<b>4</b>
2.1	Overall	4
2.2	Secure channel base to mounting surface	4
2.3	Install clamp brackets	5
2.4	Install covers and end caps	5

# 1 Technical specifications

## 1.1 Overview

These instructions are for installation of Mechanical Channel for the following mounting and style versions:

### 1. Ceiling mounting

#### 1.1.1 General information

- dormakaba requires use of tempered monolithic glass only for this product.
- dormakaba glass hardware is not suitable for harsh environment; for example, applications where chemicals (e.g. chlorine) are used such as indoor swimming pools, saunas, or salt-water pools.

#### 1.1.2 Intended use

- For stationary door panels in dry indoor areas only.

#### 1.1.3 Glass requirements/fitting/mounting

- The substructure/wall must be able to bear permanent loads.
- Fasteners must be sufficiently dimensioned for the substructure/wall and weight of the glass.
- When adjusting glass elements, always stick to the required clearance for the respective hardware. Adjust clearance so glass does not come in contact with any hard surfaces such as glass, metal or concrete.
- Do not use excessive force when installing the glass (avoid over tightening screws.)

#### 1.1.4 Requirements for glass panel

- Heat-soaked thermally tempered safety glass
- Clamping area must be flat and uncoated (no self-cleaning coating!)
- Never use glass with conchoidal fractures and/or damaged edges.

#### 1.1.5 Safety instructions

- Installation requires two people.
- Always wear protective clothing.
- Only properly qualified and specially trained staff is authorized to mount dormakaba glass hardware.
- Due to crushing hazards and possible injury caused by breakage of glass during mounting, corresponding protective clothing (especially gloves and protective goggles) is required.
- Never clamp metal glass fitting hardware directly to glass surface.
- Never use clamping products on self-cleaning coatings.

#### 1.1.6 Symbols used - Safety/Installation



#### CAUTION

Mounting components must meet the requirements of substructure/wall and door weight. Please read the technical information for fittings.



#### WARNING

Risk of breaking glass. When installing the door, support the door panel with a block of wood or similar object.



#### TIPS AND RECOMMENDATIONS

Information note



#### CLOSING EDGE OF DOOR

#### 1.1.7 Maintenance, care, repair

- Immediately replace damaged parts.
- Always use original dormakaba parts.
- Clean clamping area with alcohol-based standard commercial cleaning agent before mounting the glass hardware.
- Use a damp clothe for occasional cleaning.
- Always use silicone - and oil-free cleaners (e.g. acetone).
- Check glass hardware at regular intervals for proper positioning, smooth operation and correct adjustment.
- High traffic door systems require inspection by properly qualified staff (specialized companies or installation firms.)
- Function of fittings is recommended to be checked every 500,000 movements by a specialist.

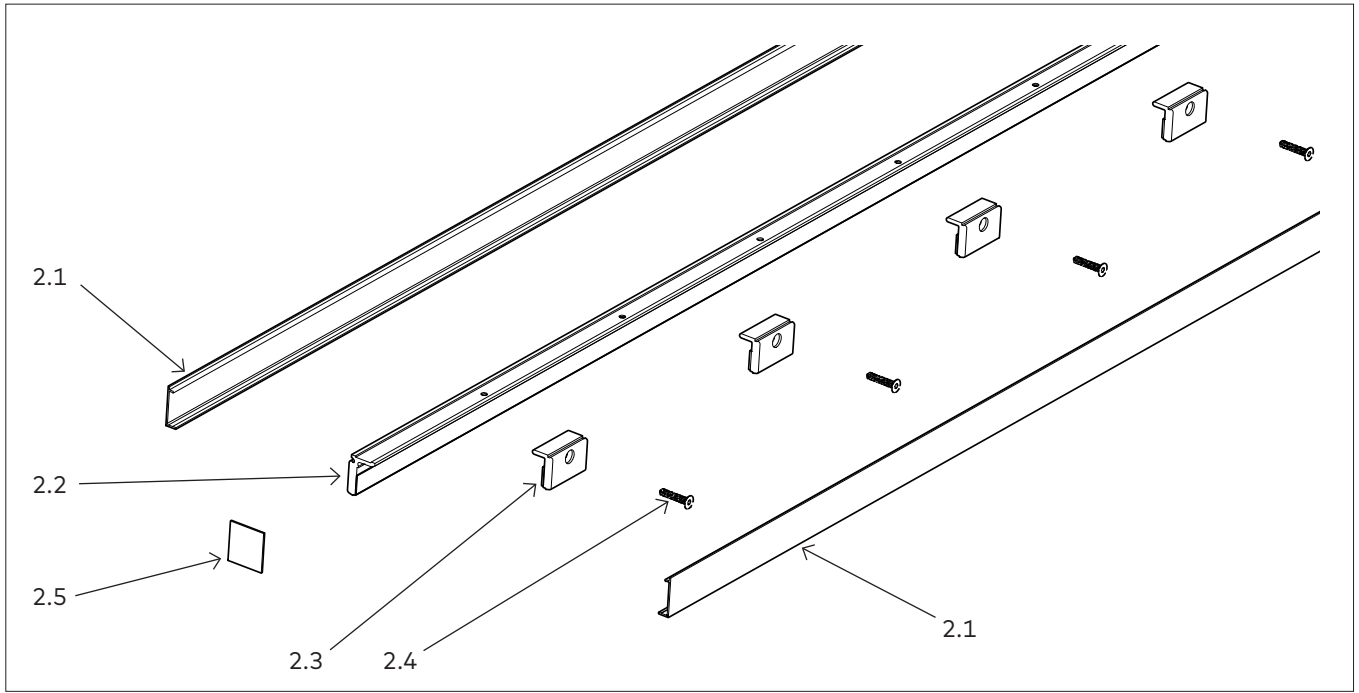
#### 1.1.8 Disposal

Disposal in accordance with local, state and national regulations.

# 2 Installation instructions

## 2.1 Overall

Fig. 1 Overall exploded view



2.1 Covers

2.2 Channel base

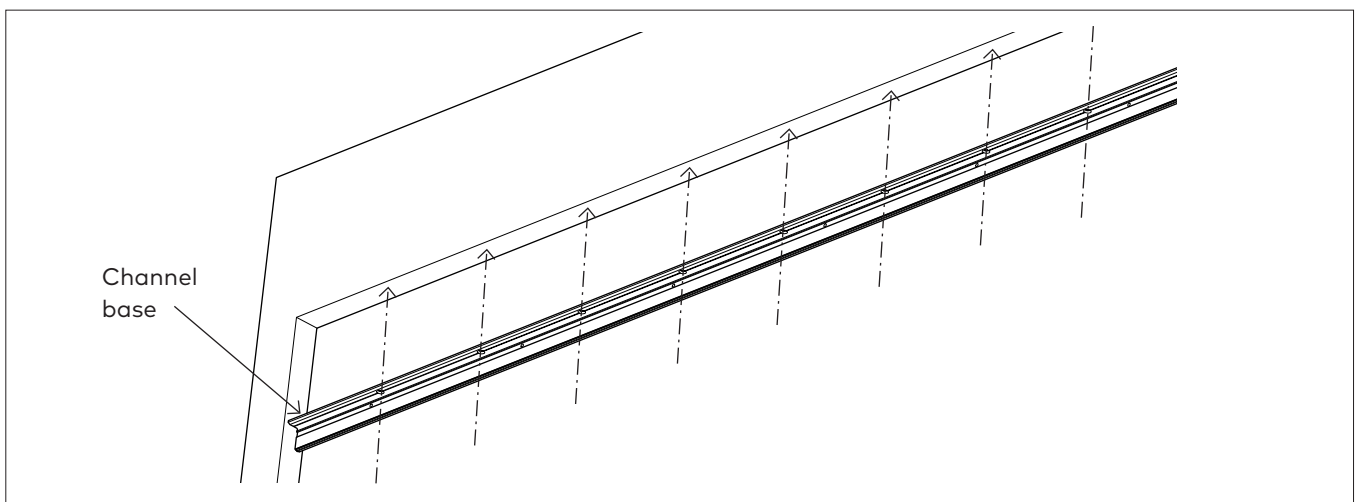
2.3 Channel clamp brackets

2.4 Clamp bracket fasteners

2.5 End caps (x2)

## 2.2 Secure channel base to mounting surface

Fig. 2

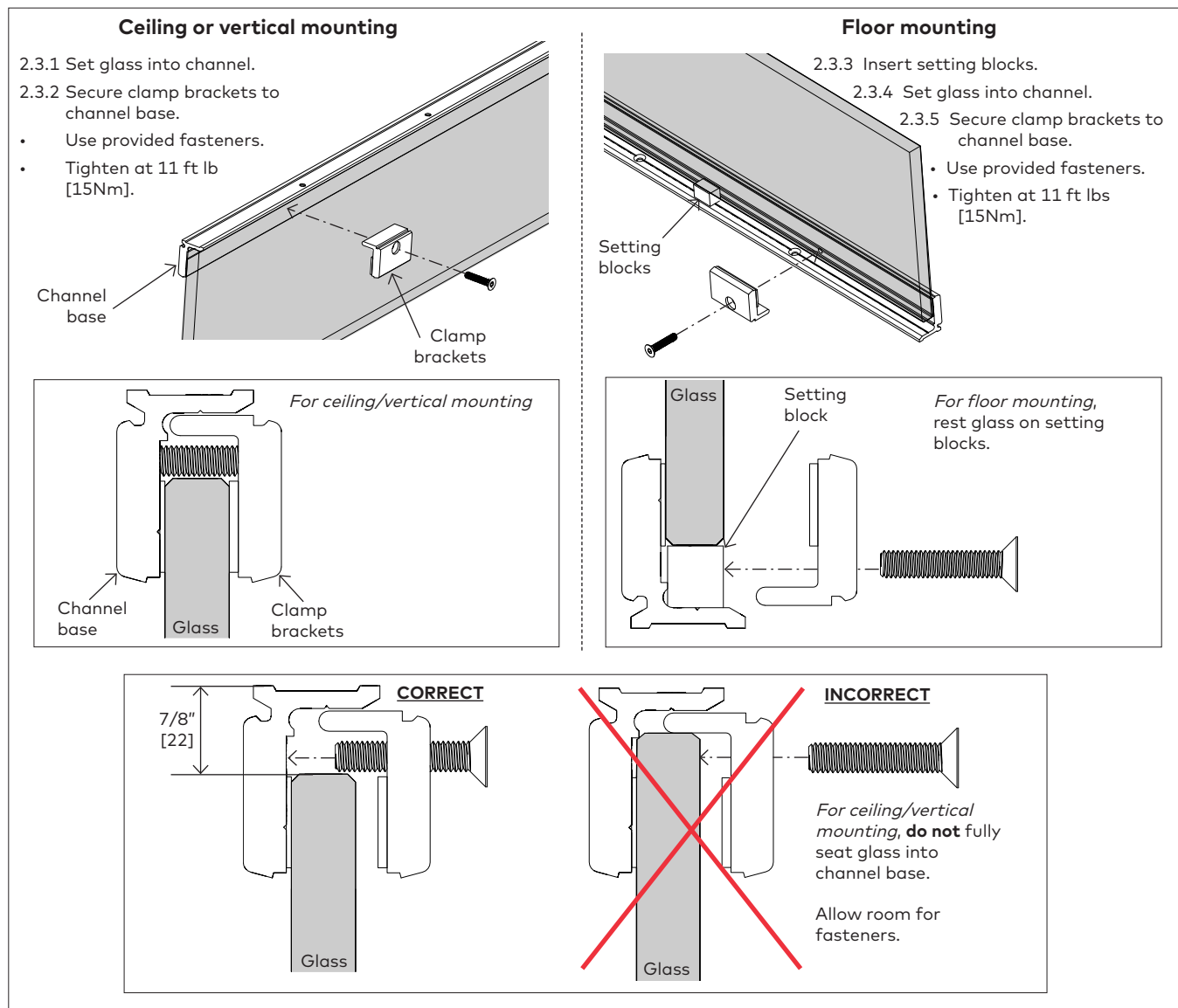


2.2.1 Secure channel base to mounting surface.

- Use appropriate fasteners relative to mounting surface material and reinforcement.

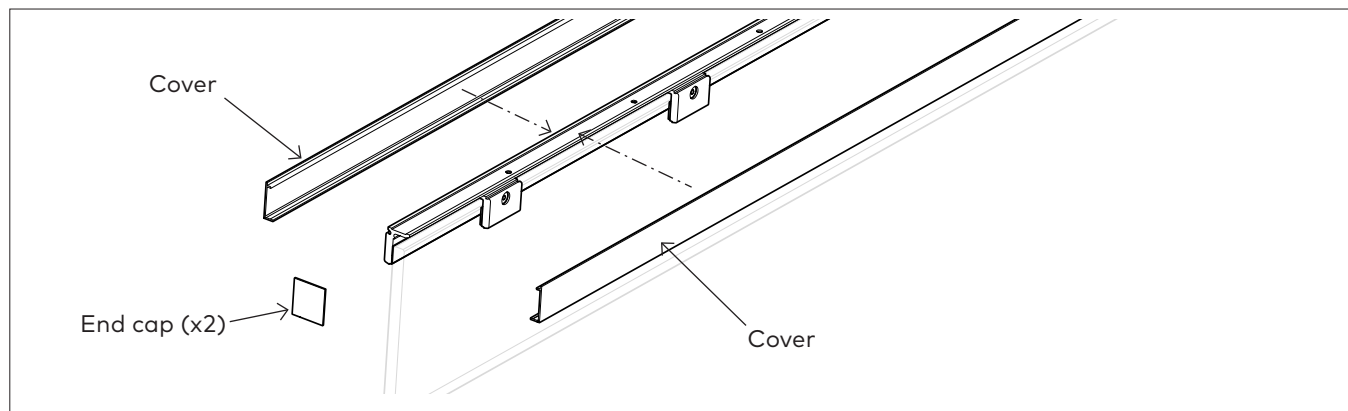
## 2.3 Install clamp brackets

Fig. 3



## 2.4 Install covers and end caps

Fig. 4



2.4.1 Snap covers and end caps into place.

