



G-Ubivis XEA

Operating instructions

WN 058974 4553215291 – 2020-11

EN

dormakaba 

Contents

1	About this document	2
2	Safety	3
3	Product description	4
4	Mounting	7
5	Check hold-open system	9
6	Completion of mounting	9
7	Operating	9
8	Maintenance and care	9
9	Maintenance from dormakaba	10
10	Disassembly, recycling and disposal	10

1 About this document

1.1 Content and purpose

This manual is part of the product. The manual contains important instructions for safe operation. Therefore, the manual must be carefully read before using the product. This manual describes the mounting, commissioning, maintenance and disassembly of the battery-powered hold-open system G-Ubivis XEA. The manual's text section is supported by figures in the picture section. The picture numbers in the text can be found at the bottom left in the figures for the respective chapter. Not every chapter in the text section has an figure in the picture section.

1.2 Target group

The hold-open system's mounting, commissioning, maintenance and disassembly must only be carried out by qualified personnel that have been authorized by dormakaba. The acceptance inspection must only be carried out by qualified personnel certified for this by dormakaba. The operation of the hold-open system may be carried out by any person who is mentally and physically able of doing so.

1.3 Other applicable documents:

- Operating instructions
- Drilling template
- Information sheet about the use of hold-open systems
- Building inspectorate approval

1.4 Documents storage

This manual must be kept during the service life of the product and must be passed on with the product.

1.5 Symbols used

1.5.1 Hazard categories



WARNING

This signal word indicates a situation of potential risk, which could lead to death or serious injury if not averted.



CAUTION

This signal word indicates a situation of potential risk, which could lead to minor or slight injury if not averted.



ATTENTION

This signal word indicates a situation of potential risk, which could lead to damage to property or the environment if not averted.

1.5.2 More symbols



TIPS AND RECOMMENDATIONS

This symbol indicates useful information for efficient and trouble-free operation.

1

Displays the image number in the text

1

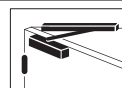
Image number



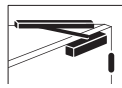
Step-by-step figures



Position numbers of parts



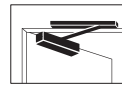
Mounting on the hinge side DIN-L



Mounting on the hinge side DIN-R



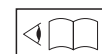
Mounting on the opposite side to the hinge DIN-L



Mounting on the opposite side to the hinge DIN-R



Pay attention to note in the text



Reference to another manual

2 Safety

The door-holding device and the control unit are tested together and may only be operated in the delivered combination. An exchange with components from another package must not take place. If the components were accidentally exchanged, please contact Service.

2.1 Intended use

The hold-open system is used to keep open fire and smoke protection closures. The fire and smoke protection closures must meet the "self-closing" requirement of the building regulations. The holding point is not a substitute for a doorstop. The door holder is released manually or via the integrated RMZ.

2.2 Prerequisites for the operation of hold-open systems

The use of hold-open systems is subject to special regulations due to the official approval regulations. These regulations refer in particular to the acceptance, the continuing monitoring and the maintenance. Follow the instructions in the information sheet on the use of hold-open systems. The hold-open system may only be mounted and used if the underside of the ceiling on both sides of the door is less than 1 m above the lower edge of the lintel.

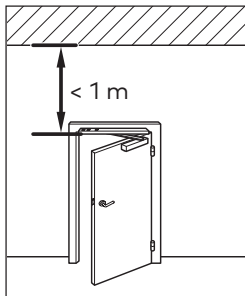


Fig. 1 Distance to ceiling

For smoke-permeable subsurface constructions, measure the distance to the smoke-impermeable ceiling. The smoke chamber must be above the clear passage area of the door.

A separate verification of suitability is required for the respective fire/smoke protection door.

The hold-open systems' fire detector may not be used to control any further alarm devices, e.g. transmission device for fire alarms.

2.3 General safety instructions



WARNING

Danger to life from explosion and fire.

A non-insulated fire door does not protect the side facing away from the fire from high temperatures for long enough. This can cause the batteries in the G-Ubivis XEA hold-open system to overheat and explode!

- Only use the G-Ubivis XEA hold-open system on insulated fire doors!



WARNING

Risk of injury due to heat generation, explosion and fire

Improper handling of the battery (e.g. overheating, destruction, recharging, use of the battery in other products) can cause heat generation, explosion and fire. There is a risk of injury.

- Only use the batteries as intended!
- Keep out of reach of children!

3 Product description

G-Ubivis XEA is a battery-powered hold-open system with integrated smoke detector panel.

3.1 Parts included/Components

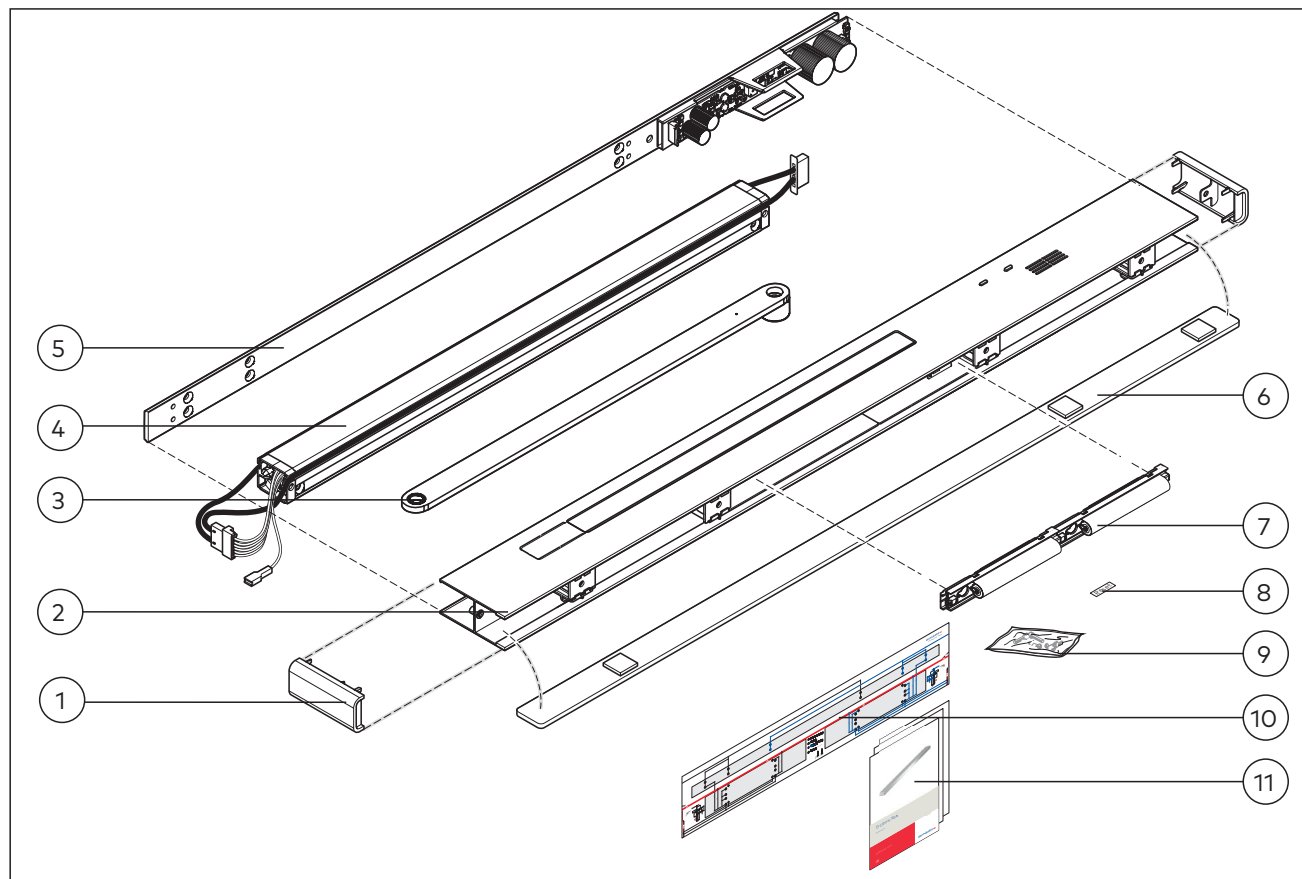


Fig. 2 Parts included/Components

- 1 End caps
- 2 Beam with smoke detector and battery holder
- 3 Lever
- 4 Slide rail with door-holding device
- 5 Mounting plate with control unit
- 6 Decorative panel
- 7 Battery pack [item no.: 57650000] Please note date of manufacture on the battery pack. The battery may only be installed within 12 months of the date of manufacture.
The battery pack must be replaced during annual maintenance.
- 8 Reset sticker
- 9 Bag of screws
- 10 Drilling template
- 11 Operating instructions, information sheet on the use of hold-open systems and building inspectorate approval

3.2 Operating elements

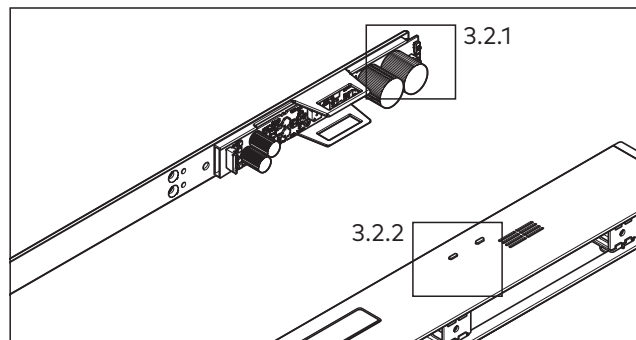


Fig. 3 Operating elements

3.2.1 Switches

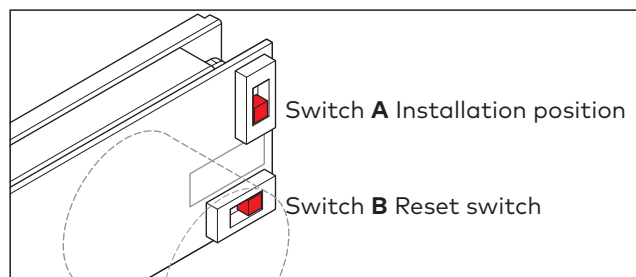
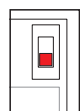


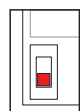
Fig. 4 Switches

3.2.1.1 LED selector switch (Switch A)

Switch **A** must always point downwards after mounting.

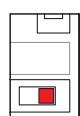


DIN-L on the hinge side or
DIN-R on the opposite side to the hinge
(delivery state)

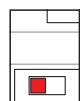


DIN-R on the hinge side or
DIN-L on the opposite side to the hinge

3.2.1.2 Reset type selector switch (Switch B)



Automatic reset (delivery state)
If smoke or test gas is no longer present in the smoke chamber after an alarm has been triggered, the smoke detector panel will automatically re-arm.
The operation indicator flashes green 1 x every 28 s.



Manual reset
A manual restart is required for use in emergency exit systems (according to IfBt Communication 5/98, pt. 3.1.4) in order to manually re-arm the smoke detector panel after an alarm has been triggered.
If there is no more smoke or test gas in the smoke chamber, press the reset button. The operation indicator flashes green 1 x every 28 s.



TIPS AND RECOMMENDATIONS

After changing switch B, the battery must be disconnected and reconnected after 30 s to take over the set function.

3.2.2 Reset button and control LEDs

3.2.2.1 Reset button

The reset buttons are located on the top and bottom of the beam.

The reset buttons both have the same functions.

- **Arming with manual reset**
To arm the smoke detector after the alarm has been triggered, press the reset button.
- **Error acknowledgment**
Press the reset button to acknowledge an error message.
- **Release and reactivate the door-holding device**
To release the door-holding device, press the reset button for more than 5 s.
The LED flashes green 2 x every 7 s.
The door leaf may be held open 30 s after triggering the hold-open system.
To reactivate the door holder, press the reset button for 1 s.
- **In automatic mode**
The magnet system attracts, but a small air gap remains between the anchor plate and the magnet system. In this state, the coil can be ejected. This is indicated by the LED flashing yellow 5 x. The system is still ready for operation.
If there is no feedback from the EMF's anchor position, this is indicated by the LED flashing yellow 6 x. The system is still ready for operation.
The EMF can be reactivated by pressing the reset button. The errors are acknowledged.

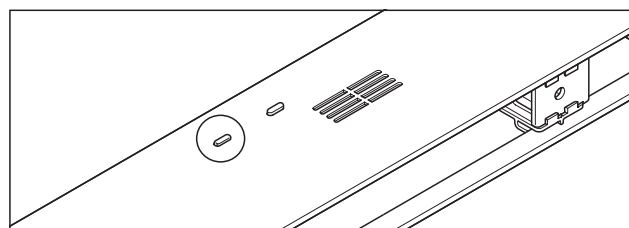


Fig. 5 Reset button

3.2.2.2 Control LEDs

Control LEDs

The control LEDs are located on the top and bottom of the beam. If the LED selector switch is set correctly, the LED on the underside of the slide rail will light up.

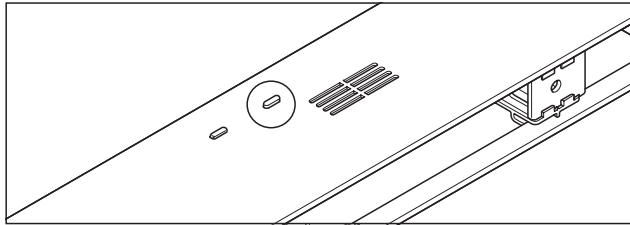


Fig. 6 Control LEDs

LED lights up

White for 2 s Self-test after switching on

Permanently red System error:
Call dormakaba Service

LED flashes green

1 x every 28 s Error-free operation

2 x every 7 s Hold-open system released via the reset button

LED flashes yellow

1 x every 7 s Maintenance necessary.
Call the dormakaba Service

2 x every 7 s Smoke detector in operation for 8 years.
Have the smoke detector replaced by dormakaba Service.

3 x every 7 s Smoke detector contaminated.
Have the smoke detector replaced by dormakaba Service.

4 x every 7 s Battery almost empty. Have the battery replaced by dormakaba Service.

5 x every 7 s Magnet system dropped. Press the reset button. If the door holder is not working: call dormakaba Service.

6 x every 7 s Door holder failed.
Press the reset button with the door closed.

LED flashes red

4 x every 28 s Battery voltage too high: if the door holder is not working, call the dormakaba Service.

6 x every 28 s Battery empty: if the door holder is not working, call the dormakaba Service.

3 x per s Smoke alarm: acknowledge with reset button for manual reset.

If several events occur simultaneously, the control LEDs will show the message with the highest priority.

3.3 Technical data

Protection class IP 30

Protection category III

Ambient temperature -5 – +45 °C

Relative humidity: Max. 93 % non-condensing

Release torque Approx. 25 – 65 Nm at 90° opening angle (dependent on the set closing force on the door closer)

Door opening angle on the hinge side Max. 140°

Hold size

EN 3-5



Door width 860 – 1250 mm

4 Mounting

1A/B

1. Drill the holes for the door closer according to the door closer's assembly instructions.
2. Drill the holes for the slide rail's mounting plate.

1A

Mounting on the hinge side (DIN-L)

Mounting on the opposite side to the hinge (DIN-R)

1B

Mounting on the hinge side (DIN-R)

Mounting on the opposite side to the hinge (DIN-L)

2A/B

1. Mount the door closer and the lever according to the door closer's assembly instructions.

3A/B



ATTENTION!

The back of the mounting plate contains insulation which must not be damaged during mounting!

1. Mount the mounting plate with the control unit

4A/B

1. Push the LED selector switch **[A]** down.
2. Push the reset type selector switch **[B]** to the desired position.

5A



TIPS AND RECOMMENDATIONS

Mount the slide rail flush with the mounting plate.

1. Mount the slide rail on the mounting plate according to DIN-L mounting.
2. Plug in the plug.
 - ▶ A connection between the slide rail and the control unit is made.

5B



TIPS AND RECOMMENDATIONS


Mount the slide rail flush with the mounting plate


1. Mount the slide rail on the mounting plate according to DIN-R mounting.
2. Plug in plug.
 - ▶ A connection between the slide rail and the control unit is made.

6A/B

1. Determine the desired size of the door opening angle.
If the door opening angle is less than 105°, then only partially break the perforated area. Only break the perforated area out completely if the door angle is greater than 105°.
2. Deburr and remove shavings.

7

1.  **ATTENTION!**
Remove the protective dust cap from the smoke detector!

2.  **ATTENTION!**
Pull the cable out of the slide rail with a slight tug!

3. Clip the beam onto the mounting plate.
4. Screw the beam to the slide rail with the two M5 x 10 mm fillister head screws.

8



CAUTION

Risk of injury from uncontrolled movement of the lever

Before loosening the screw, close the valves on the door closer!

1. Close the valves on the door closer (see door closer's manual).
2. Open the door.
3. Loosen the EMF's screw connection.

9


1. Place the spacer disc between the lever and the sliding block.
2. Turn the lever to the slide rail.
3. Screw the lever to the sliding block.
4. Open the valves on the door closer (see door closer's manual).

10

1. Open the door to the desired opening angle.

2.

ATTENTION!

 Pull the cable out of the slide rail with a slight tug! Secure the cables that are hanging out from being trapped by the door.

3. Slide the EMF towards the sliding block so that the catches are in the sliding block.

▶ **The EMF is not locking at this point.**

4. Screw the EMF tight.

11

1. Carefully open the door until it stops.
2. Set the doorstop (not included).

12

1. Close the door.
2. Lay the cables through the cable ducts.
3. Plug the smoke detector cable into the control unit.
4. Connect the battery board's plug to the slide rail's cable harness.

13

1. Plug the two battery packs together.
2. Loosen the pre-mounted screws far enough so that the battery pack's holder fits behind the screws.
3. Place the battery packs on the screws and push them in the direction of the board.
 - ▶ The LED lights up white for about 2 s.
4. Fix the battery packs with the screws.
 - **The hold-open system is now in operation. The operation indicator flashes green 1 x every 28 s.**

14**ATTENTION****Risk of unit damage**

Setting a release force too high may result in damage to the door hinges and the fastening elements of the door closing system.

- Set the release force depending on the door width and the selected closer size. According to DIN EN 1155, the release torque must be at least 40 Nm with a door opening angle of 90°.

1. Set the release force
2. Attach cover plate.
3. Screw on cover plate.

15**ATTENTION****Risk of cable harness damage**

When screwing on the end caps, make sure that the screws do not damage the cable harness.

1. Put both end caps on the beam.
2. Secure the end caps with screws.

16

1. Secure the decorative panel to the beam. Note the correct position of the metal sheets to the magnets.

5 Check hold-open system

5.1 Check alarm triggered by smoke detector panel



CAUTION

Risk of eye and respiratory injury

Follow the application and safety instructions on the test gas and in the manufacturer's safety data sheet.

1

1. Open the door and hold it open.
2. Spray the test gas 918/5 on the smoke detector according to the manufacturers' instructions.
 - ▶ The operation indicator switches to alarm (flashing red).
 - ▶ The door is closed.

During a manual reset:

When the test gas has evaporated, press the reset button to activate the hold-open system again.

During an automatic reset:

The door leaf can be held open again 30 s after the hold-open system is released, provided that the test gas has dissipated.

5.2 Acceptance inspection

After mounting, an acceptance inspection is to be carried out according to the inspection logbook for hold-open systems. The acceptance inspection must only be carried out by qualified personnel certified for this by dormakaba. Follow the instructions in the information sheet on the use of hold-open systems. The acceptance inspection must be documented in the inspection logbook for hold-open systems.

6 Completion of mounting

If further structural work is carried out, protect the smoke detector from dust.

1

1. Stick the reset sticker next to the reset button on the bottom.
2. Place the supplied dust cover on the smoke slots.
3. Before the final commissioning, remove the dust cover and carry out a further function test according to Section 5.1.

7 Operating

7.1 Open and hold door

1. Open the door leaf until it stops.
 - ▶ The hold-open system keeps the door open.

7.2 Close door

1. Press the door leaf against the resistance or press the reset button for 5 s.
 - ▶ The door releases from the holding position and closes.

If the door has been closed with the reset button, the door can only be held open again after pressing the reset button again.

8 Maintenance and care



TIPS AND RECOMMENDATIONS

Dust deposits in the smoke detector may lead to false alarms. When using in rooms with a large amount of dust, shorten the prescribed maintenance intervals if necessary.

Maintenance must only be performed by qualified personnel that are authorized by dormakaba.

Follow the instructions in the information sheet on the use of hold-open systems.

The unit switches to "Perform maintenance" after 48 weeks (LED flashes yellow 1 x every 7 s).

The smoke detector must be replaced after 8 years according to DIN 14677.

The reaching of the replacement deadline is indicated by the yellow flashing LED (2 x every 7 s).

8.1 Replacing battery

The battery must be replaced annually.

- Observe the warnings on the battery pack.
- Only use the dormakaba battery pack with item number 57650000.
- The battery may only be replaced by trained specialists.
- Please note date of manufacture on the battery pack. The battery may only be installed within 12 months of the date of manufacture. The battery pack must be replaced during annual maintenance.

1

1. Press the decorative panel at the height of the reset button.
2. Pull off the decorative panel.
3. Loosen the battery packs' screws so that the battery packs' holders can be moved.
4. Slide the battery packs to the side and remove the battery packs.

2

1. Wait 30 s before attaching the new battery packs so that the control unit can start properly.
2. Plug the two new battery packs together.
3. Place the battery packs on the screws and push them in the direction of the board.
 - ▶ The LED lights up white for about 2 s.

3

1. Fix the battery packs with the screws.
2. Secure the decorative panel to the beam.
3. Perform a function test according to Section 5.1.
 - **The hold-open system is now in operation. The operation indicator flashes green 1 x every 28 s.**

9 Maintenance from dormakaba

Regular maintenance of your units pays off: weak points are detected and eliminated at an early stage and your unit's service life is increased.

dormakaba and our authorized partners offer premium maintenance service for automatic doors and hold-open systems, which gives the building operators reliable security through the official seal of approval. Because if not all door units have been properly tested, the building operator may be liable for property damage and personal injury in the event of an accident. Regardless of safety aspects, regular maintenance also makes sense from an economic point of view. Any damage or wear can thus be detected and repaired at an early stage. The risk of unforeseen costs, such as high repair costs, can be minimized – and we help you to keep an eye on your budget – always with the aim of increasing the service life of your door units.

dormakaba takes over the complete organization and execution of maintenance for you. The advantage to you: all units – including units from other manufacturers – are tested by trained experts at the scheduled regular intervals. The operator does not have to worry about anything else; legal requirements are reliably fulfilled.

A maintenance contract around the door ensures tested functionality with a premium standard! We want to win you over too – get a non-binding and free offer for a maintenance contract.

Further information on this and many other topics of the dormakaba service can be found on our homepage at www.dormakaba.com



0 800 524 0246
24h Service Hotline

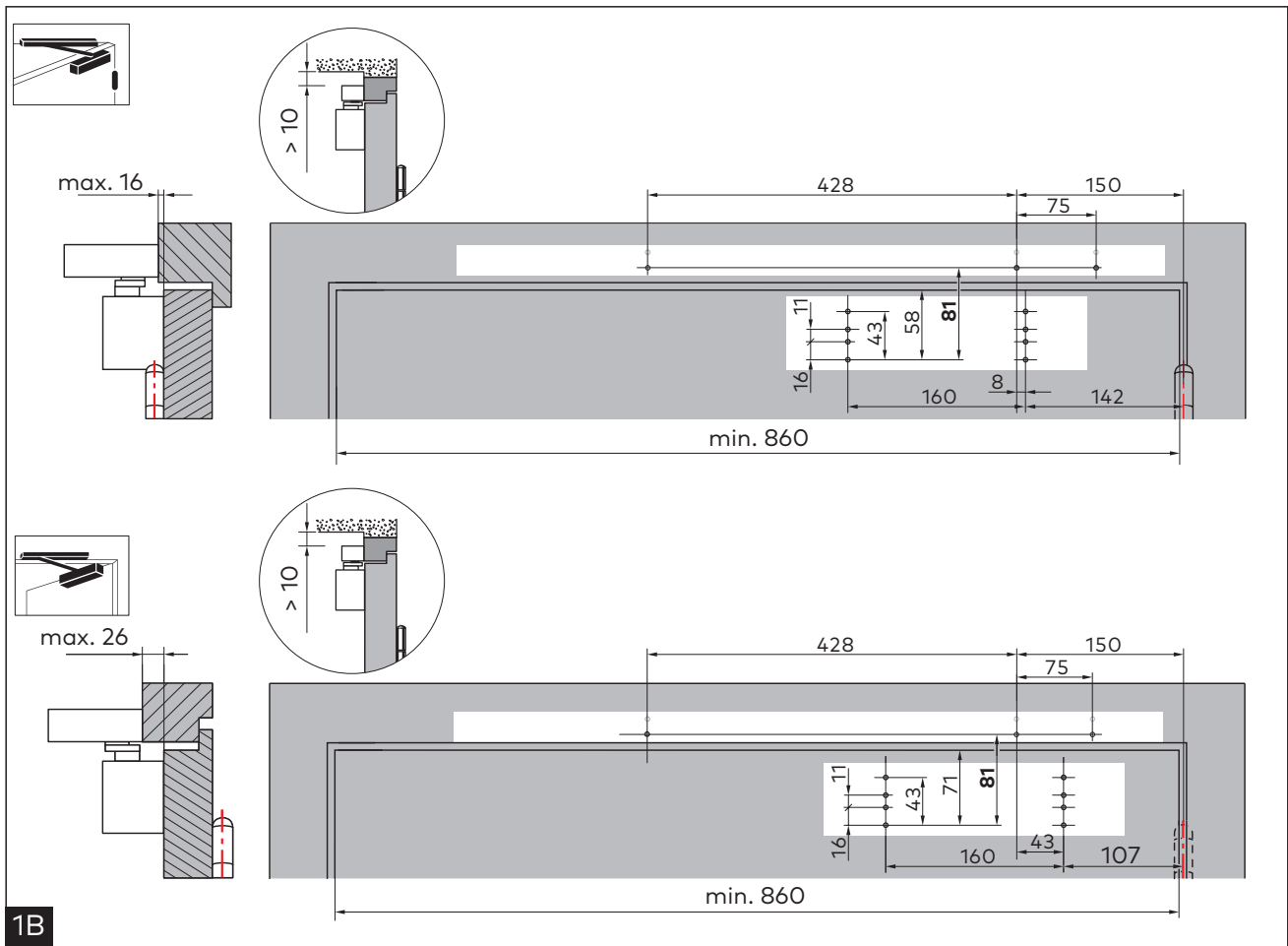
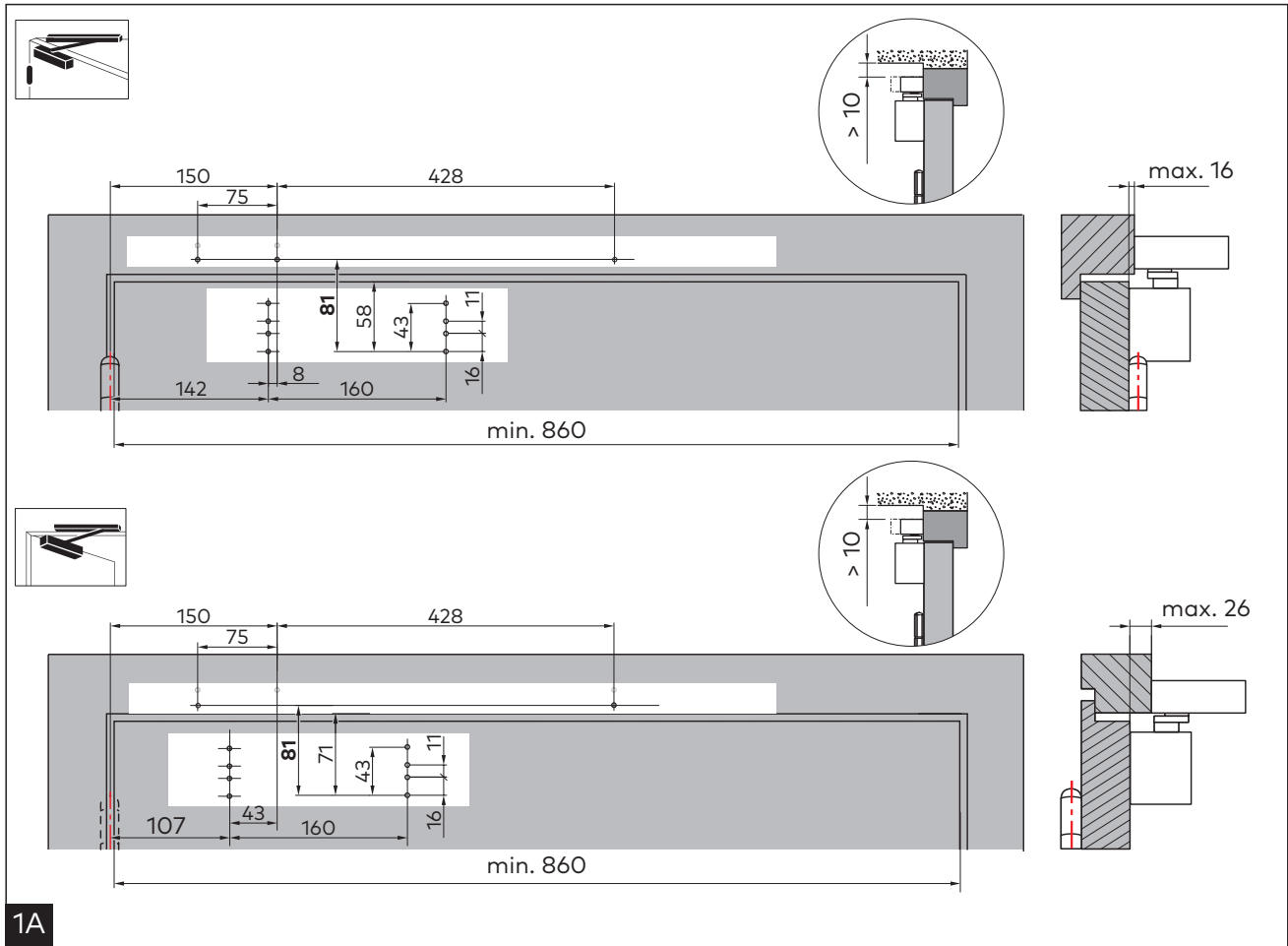
10 Disassembly, recycling and disposal

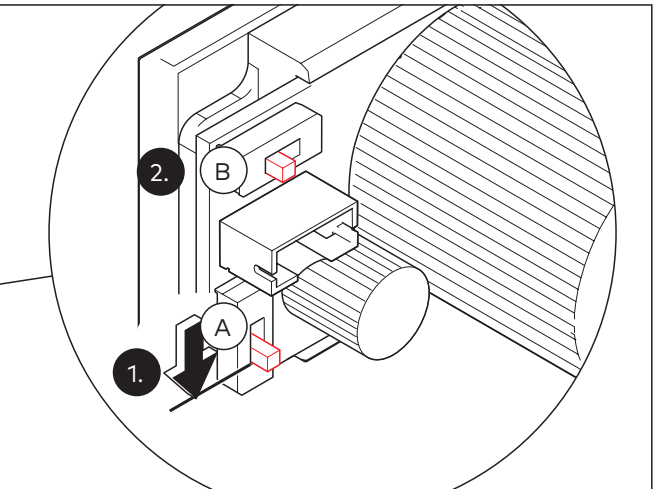
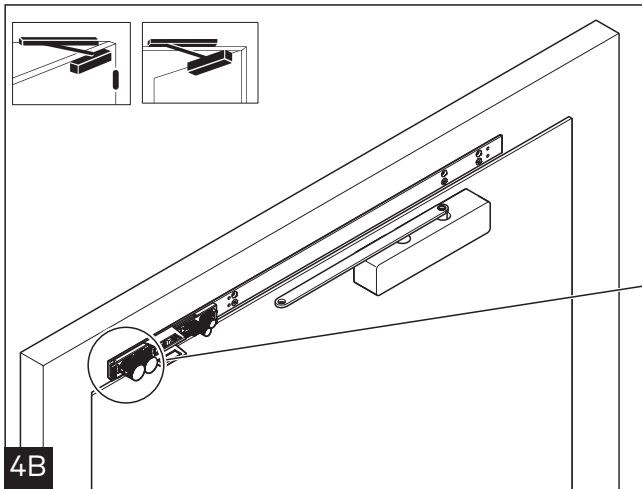
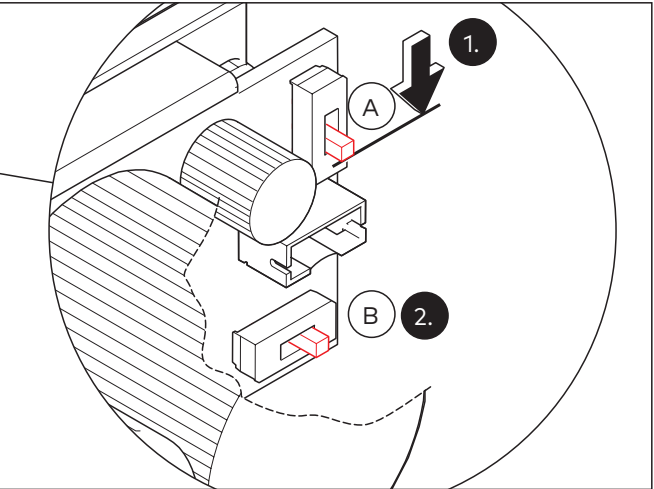
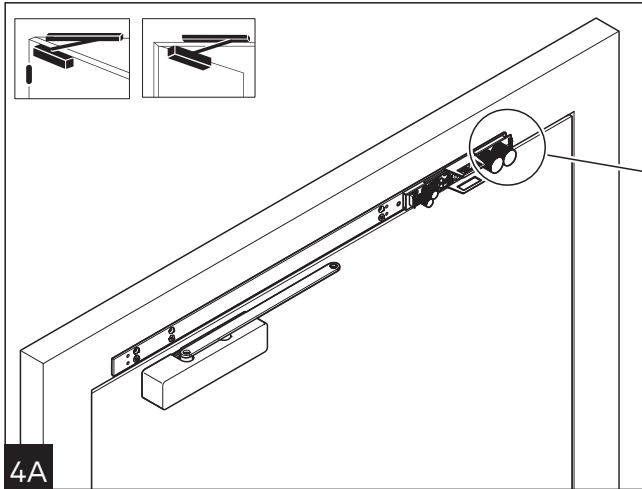
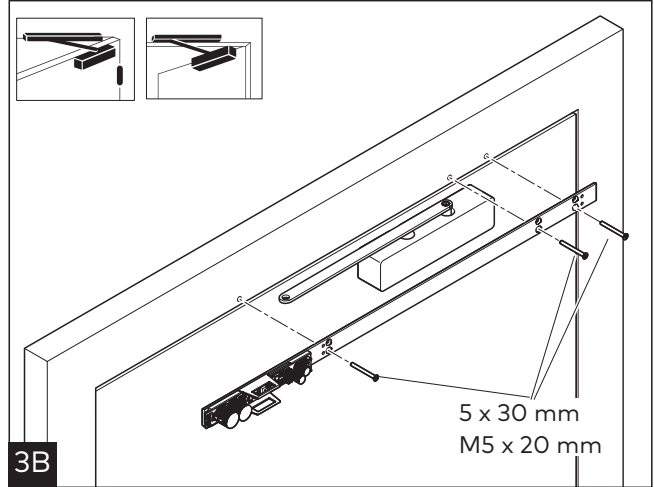
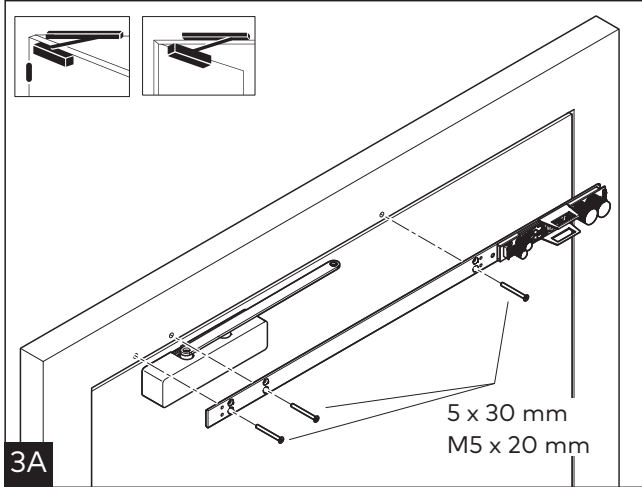
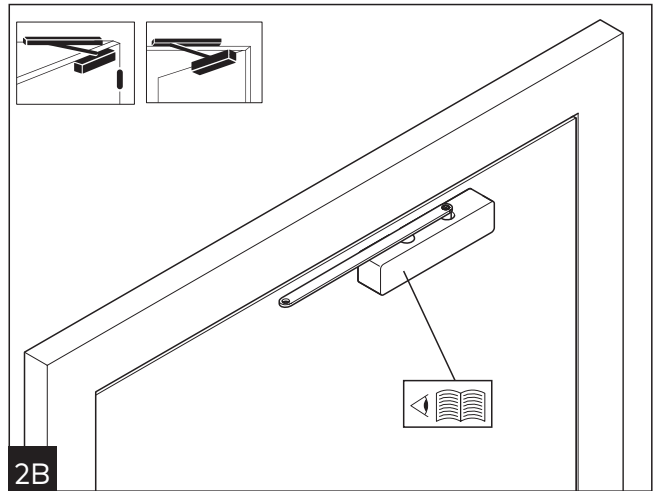
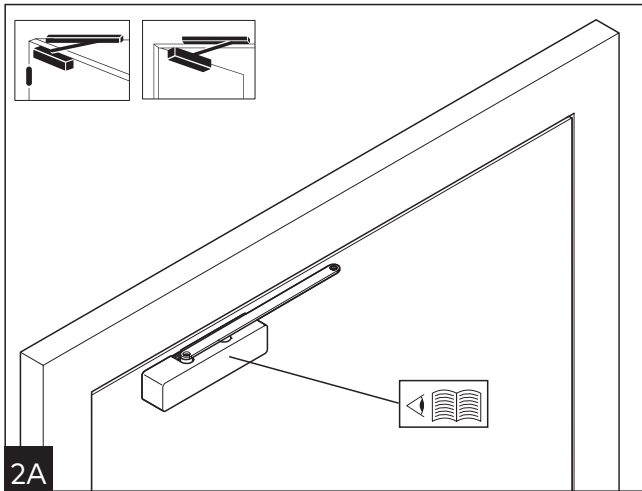
Disassembly is carried out in the reverse order of mounting and must be carried out by qualified personnel.

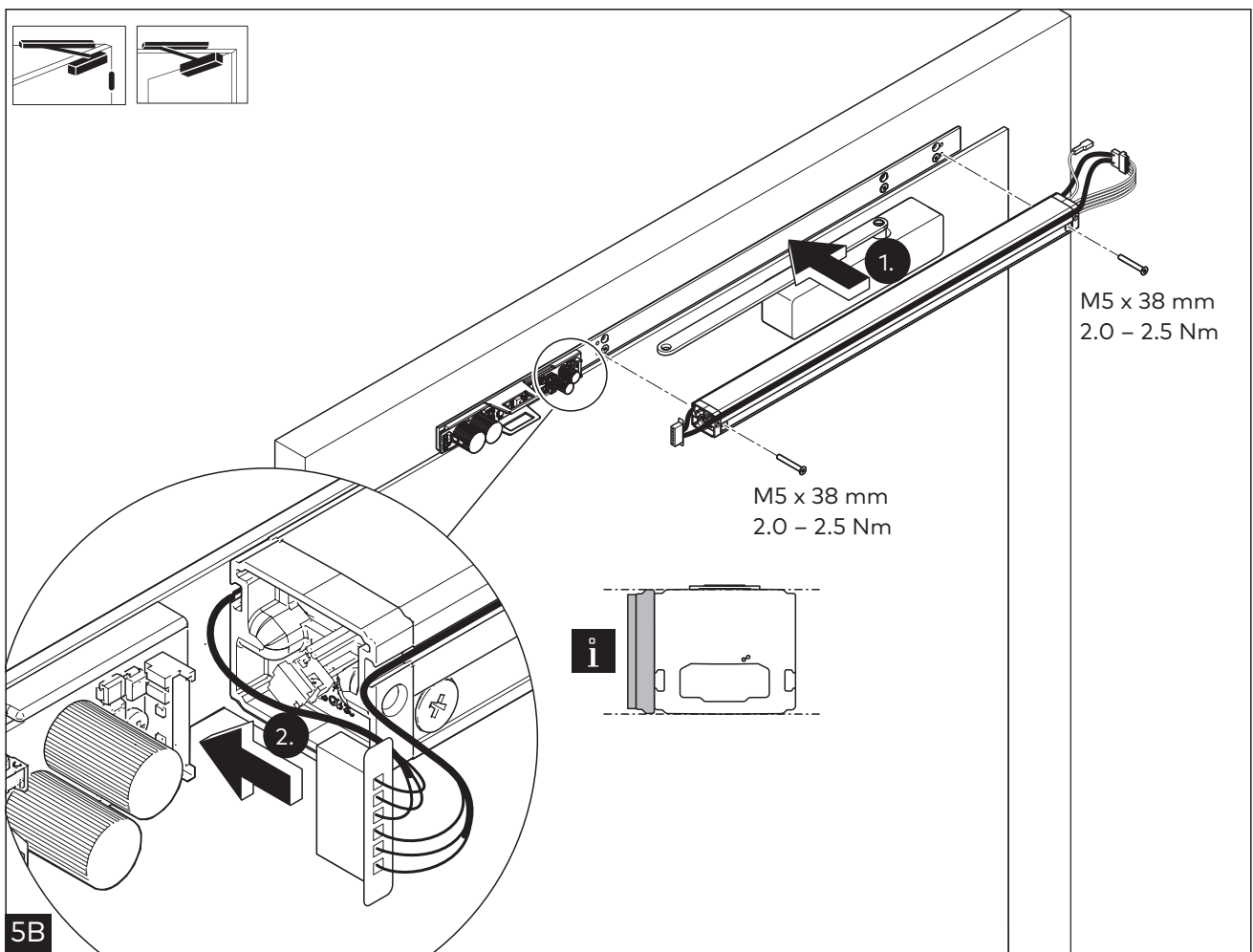
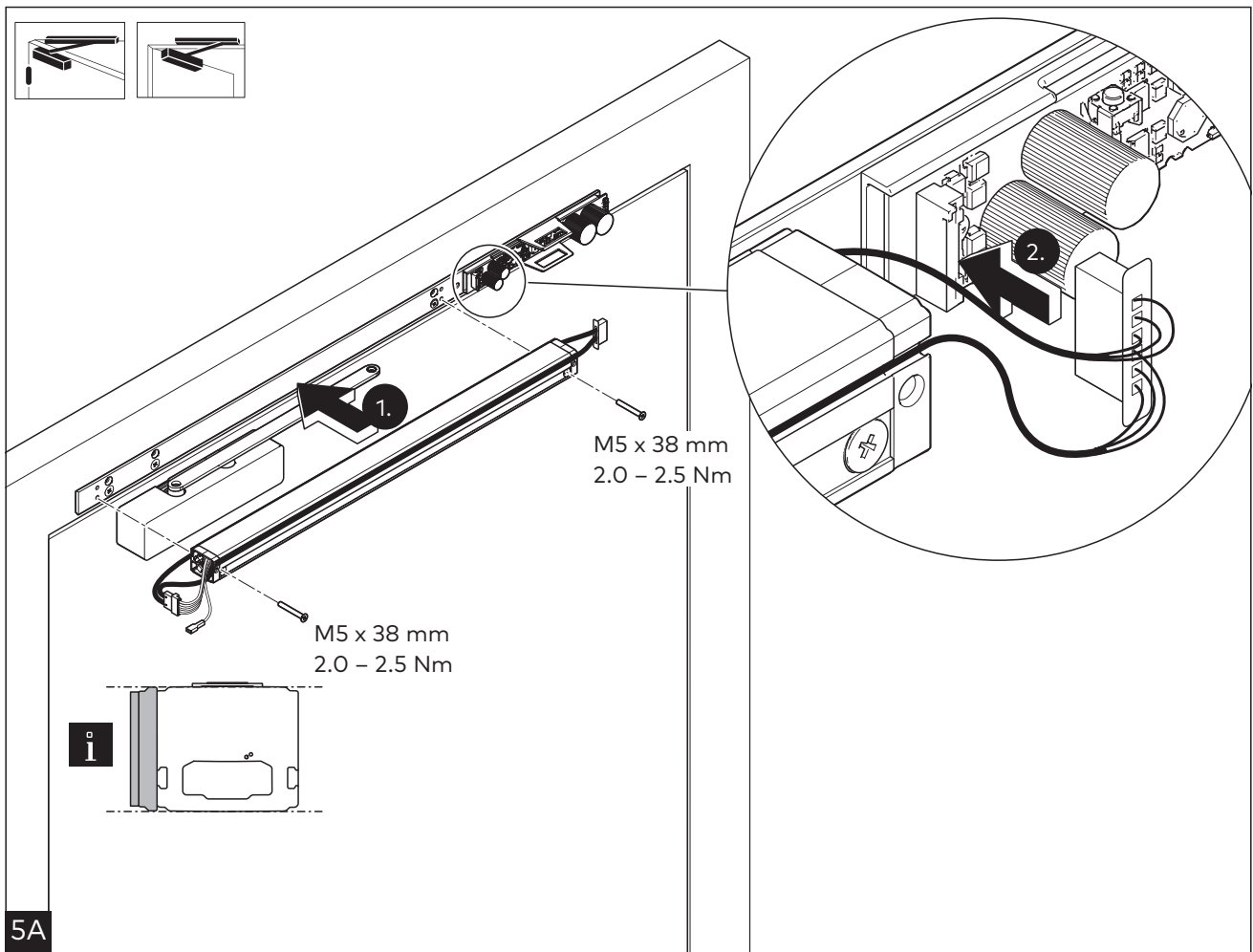


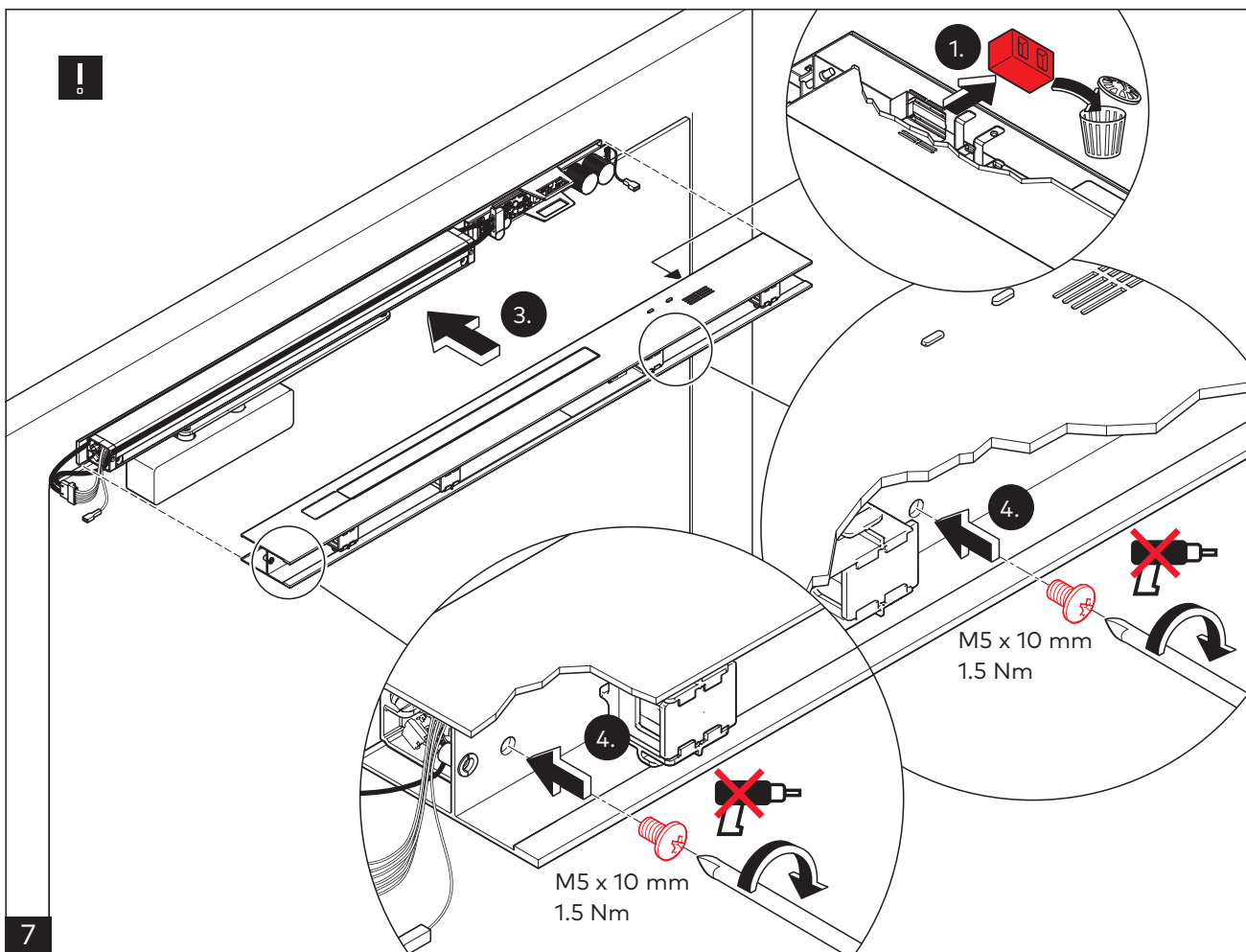
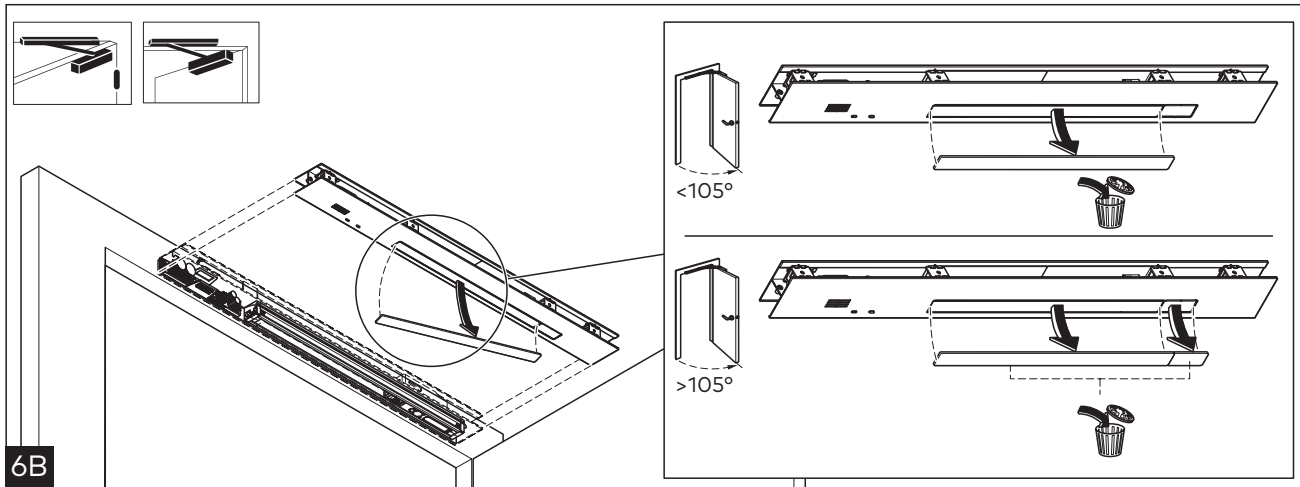
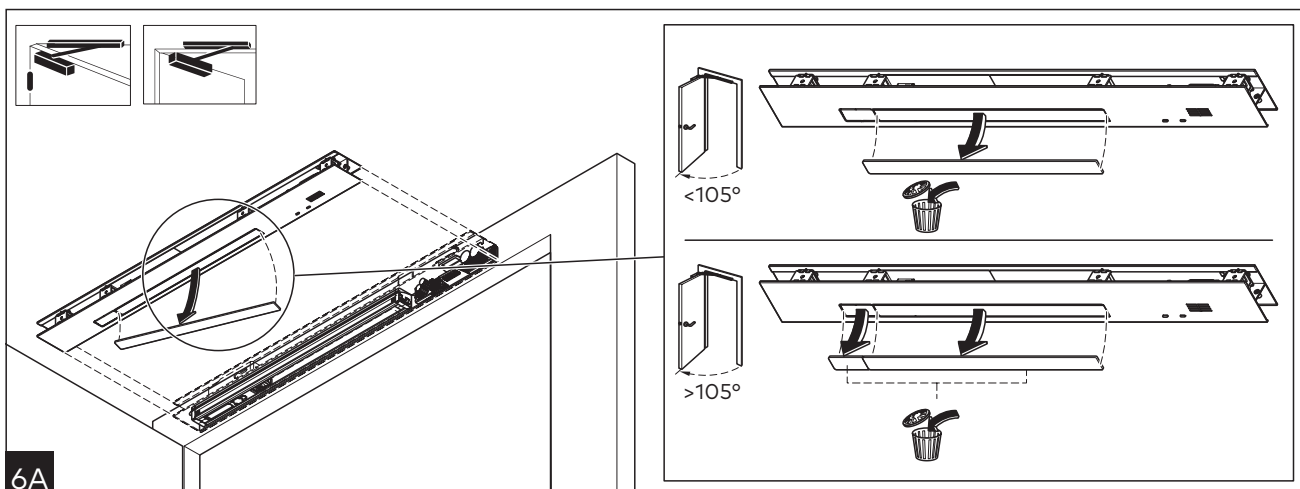
The product must be disposed of in an environmentally friendly manner. Electro-technical parts and batteries must not be disposed of as domestic waste. Dispose of electrotechnical parts and batteries in the designated acceptance and collection points. Refer to the statutory regulations for your country.

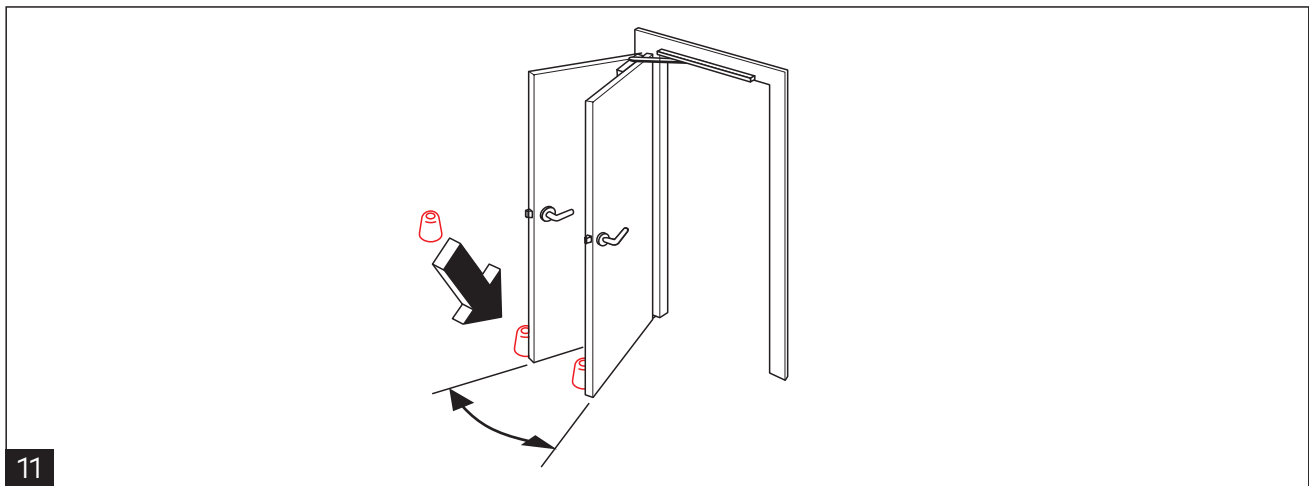
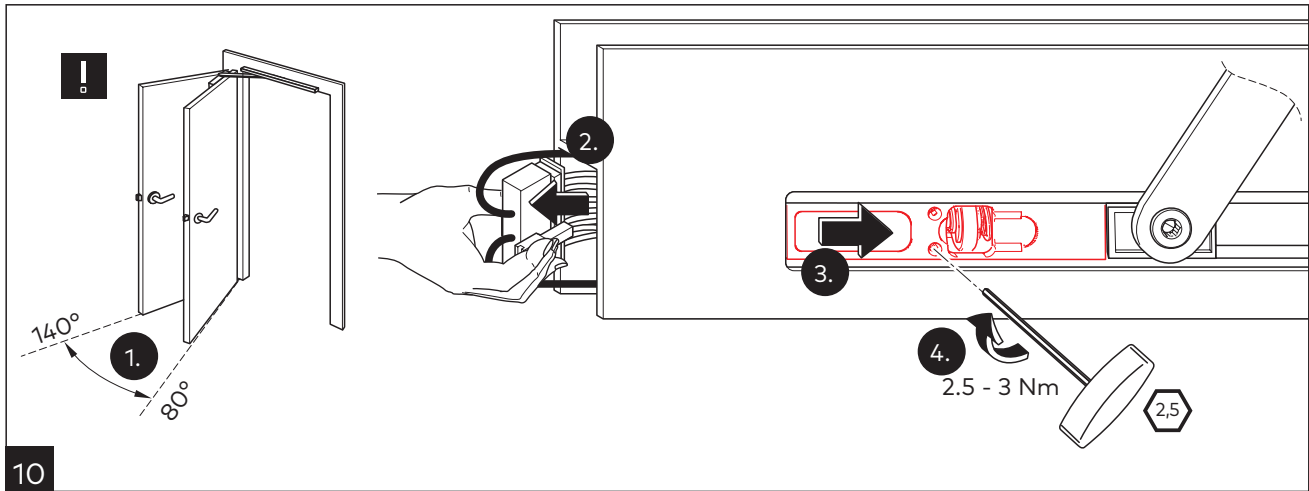
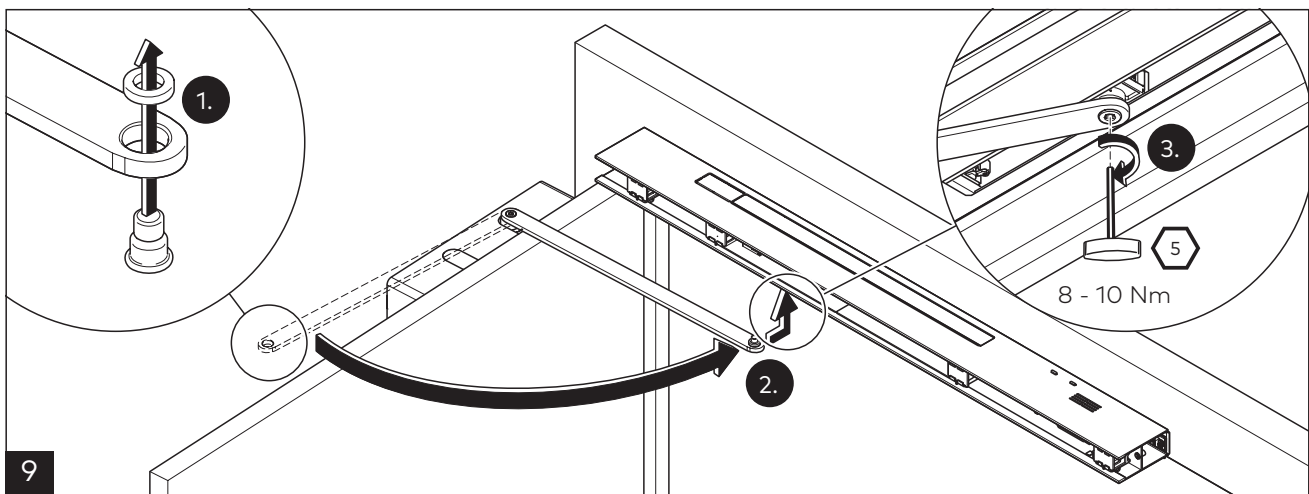
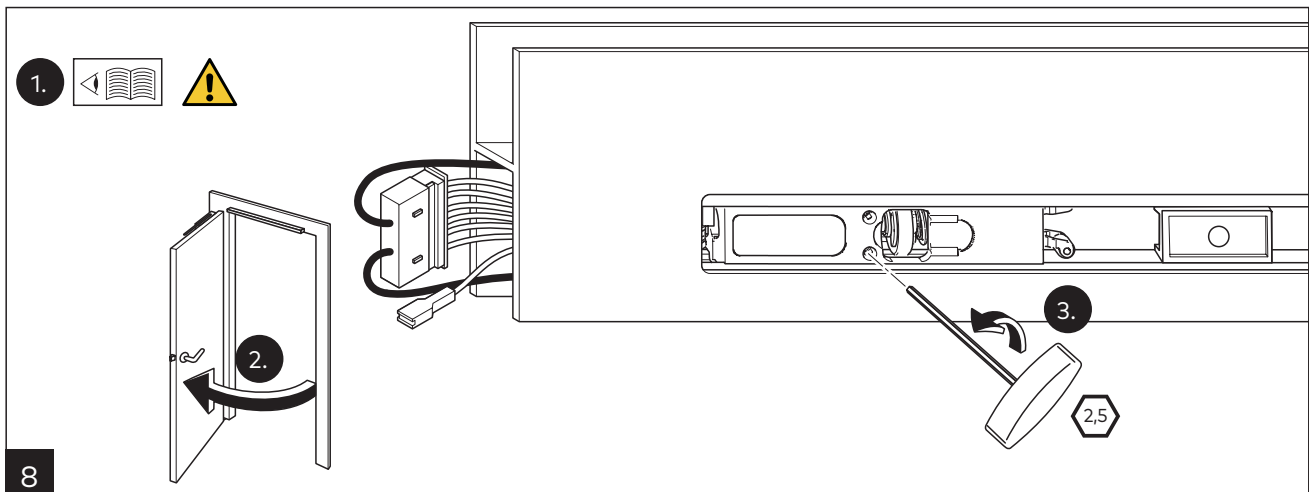
4 Mounting

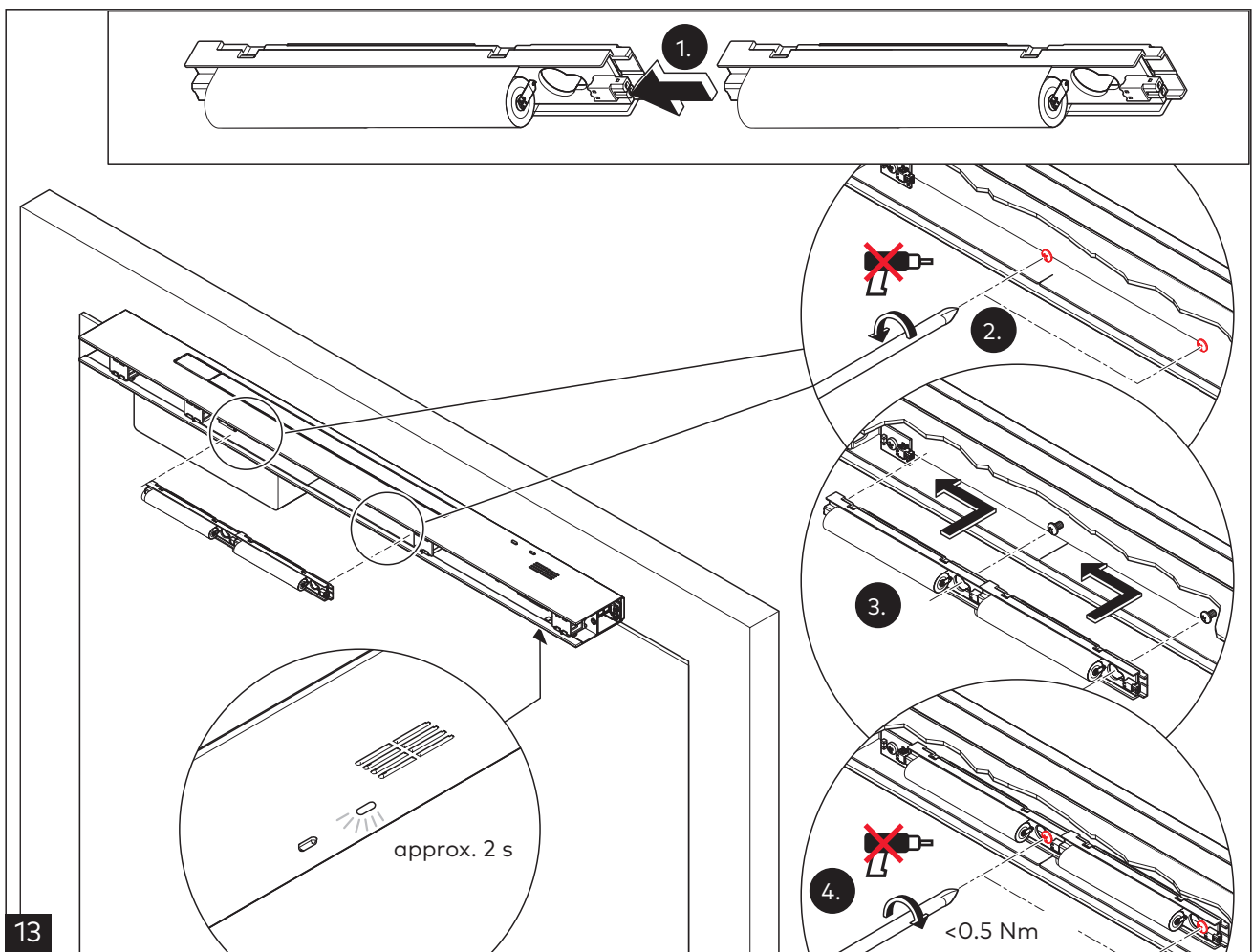
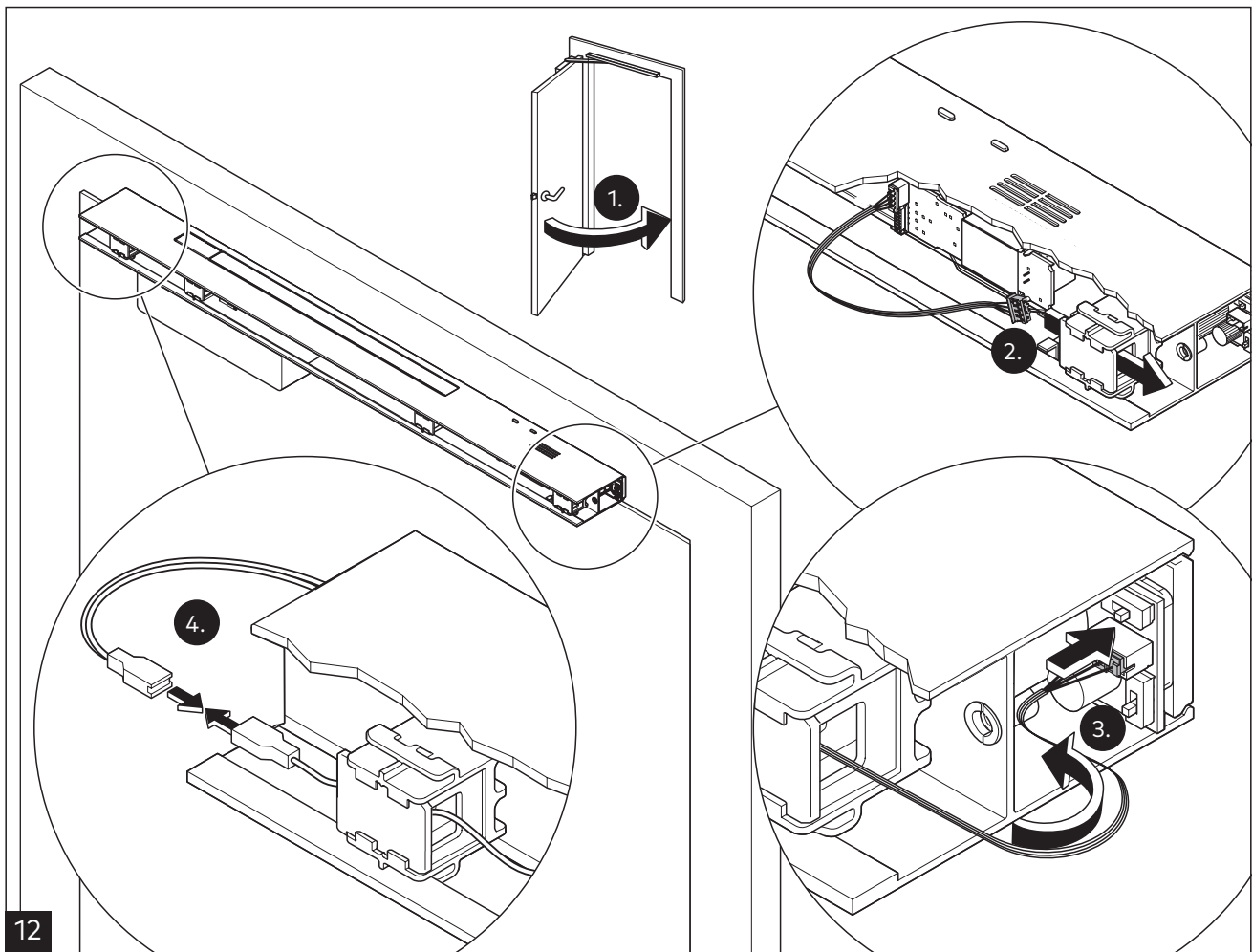


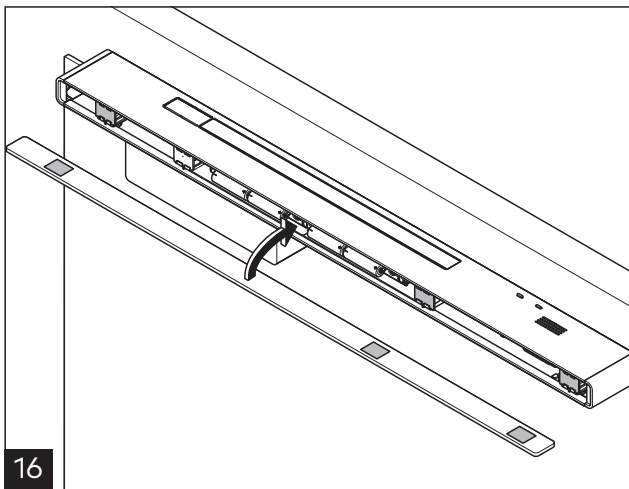
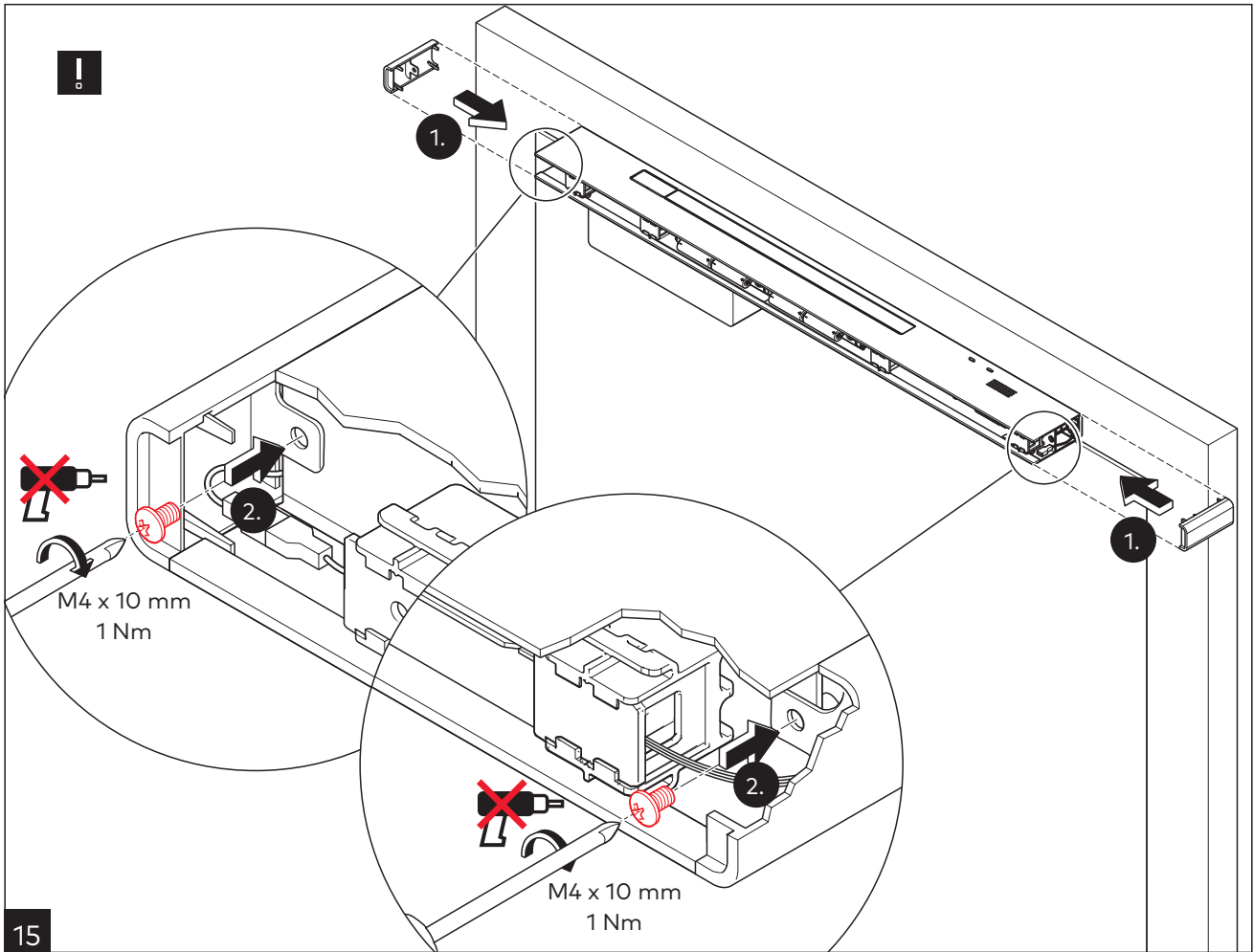
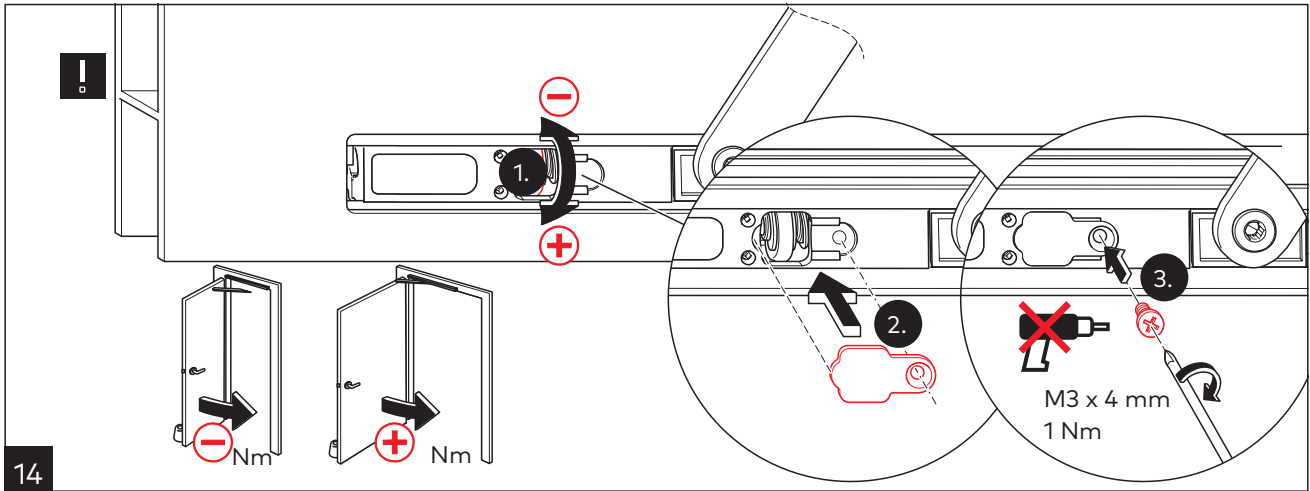




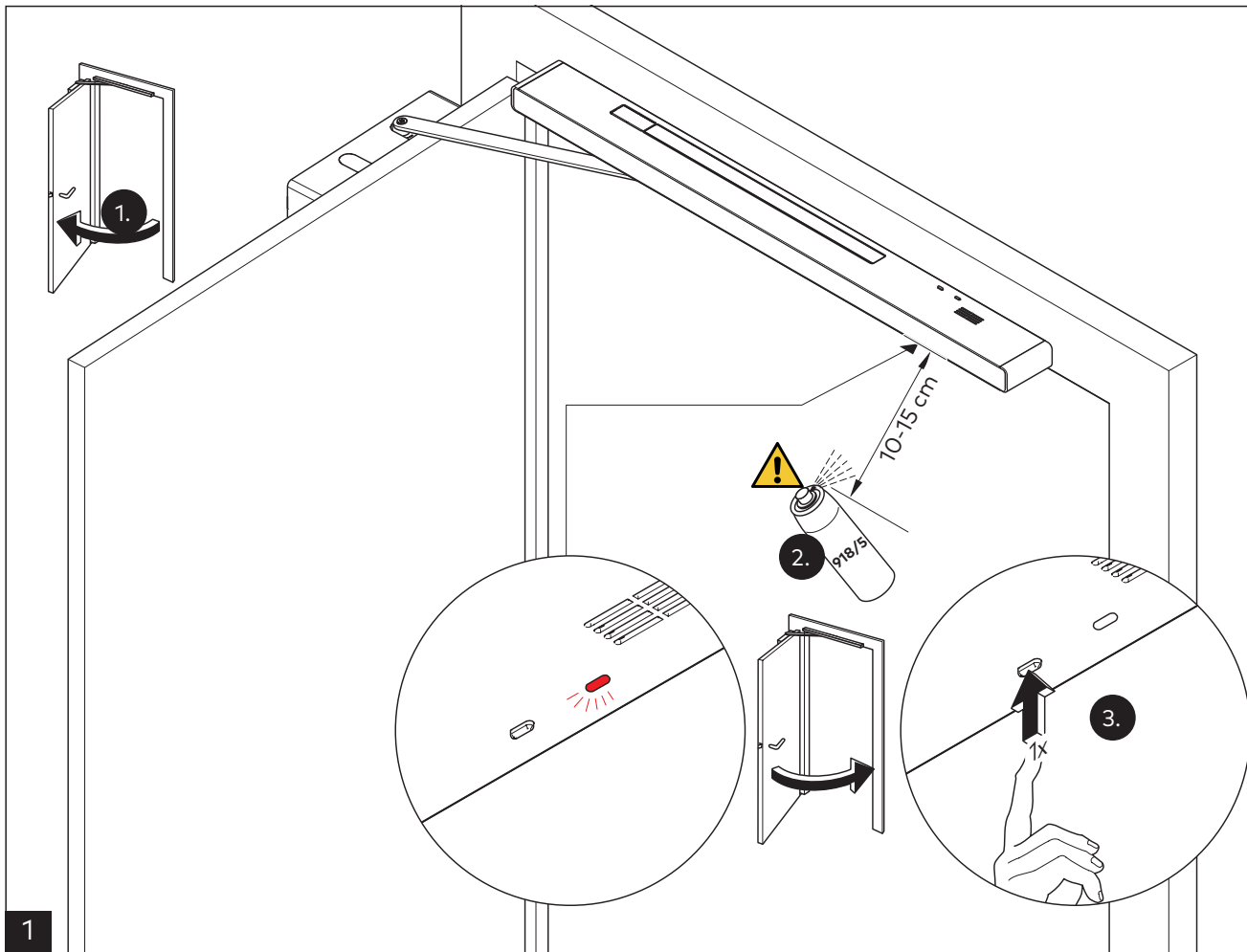




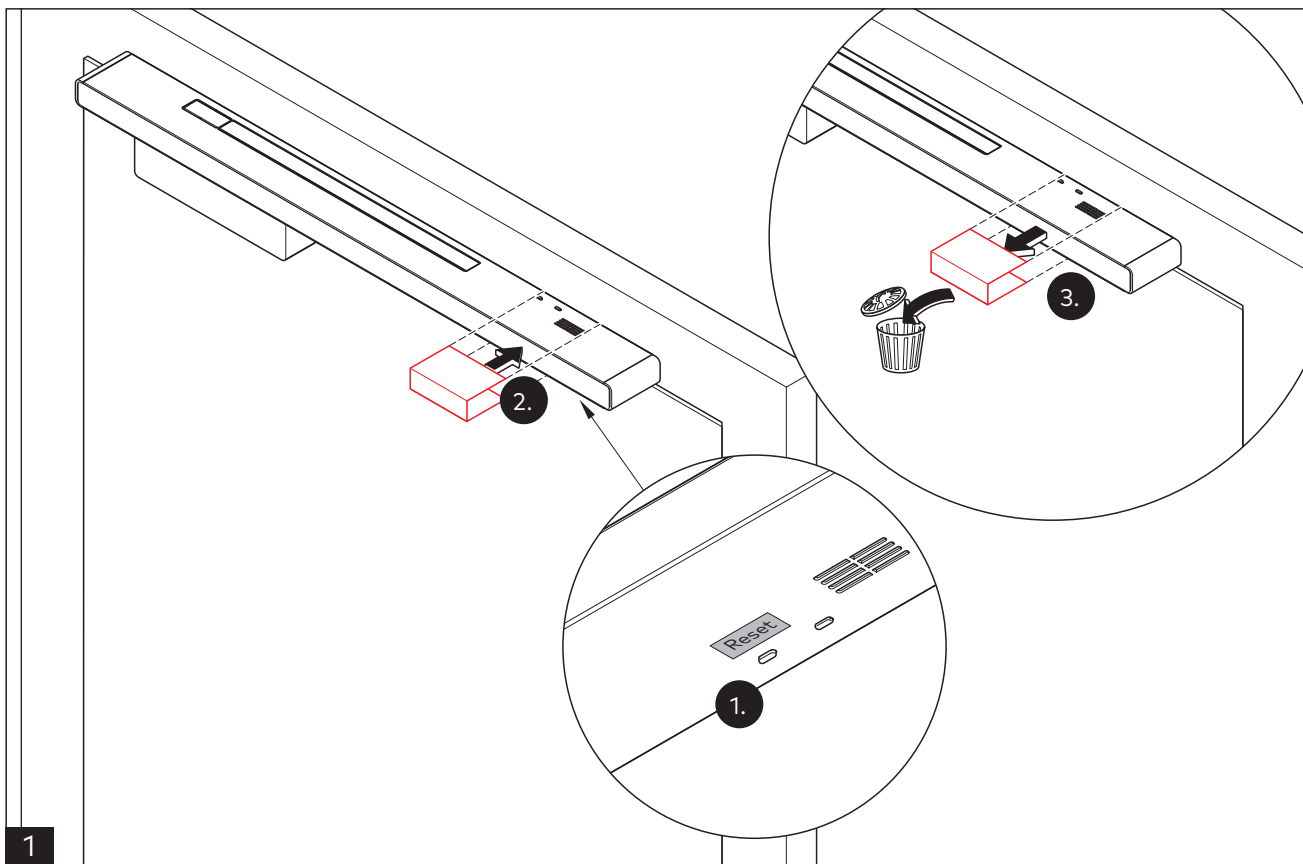




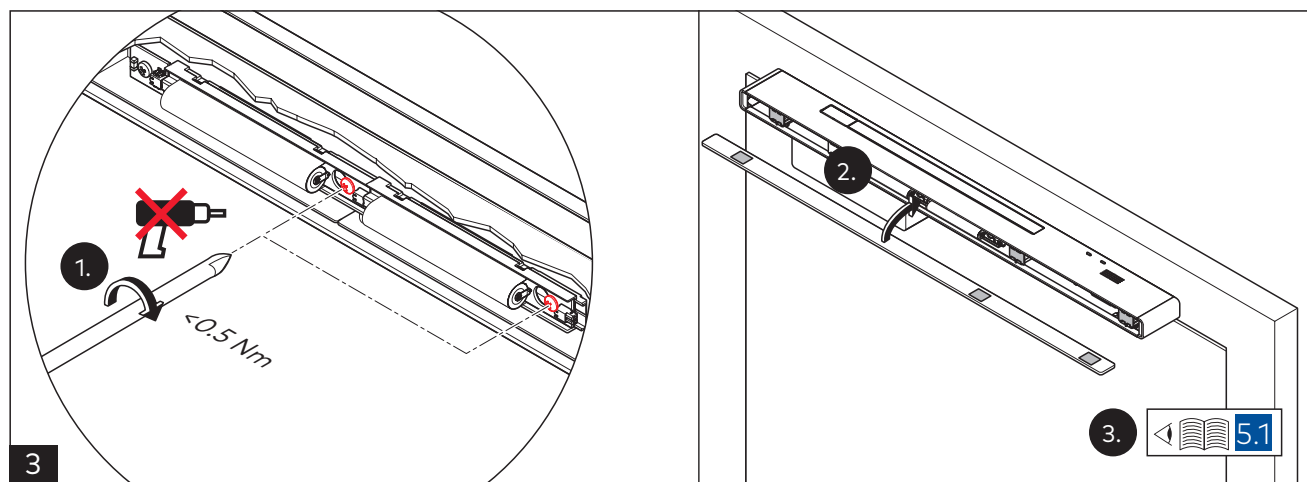
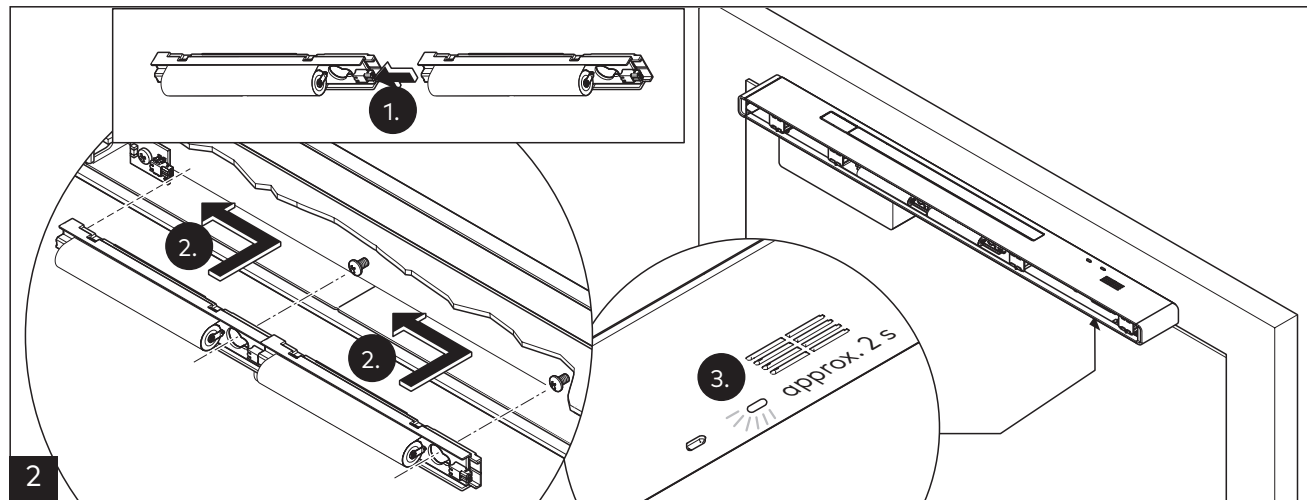
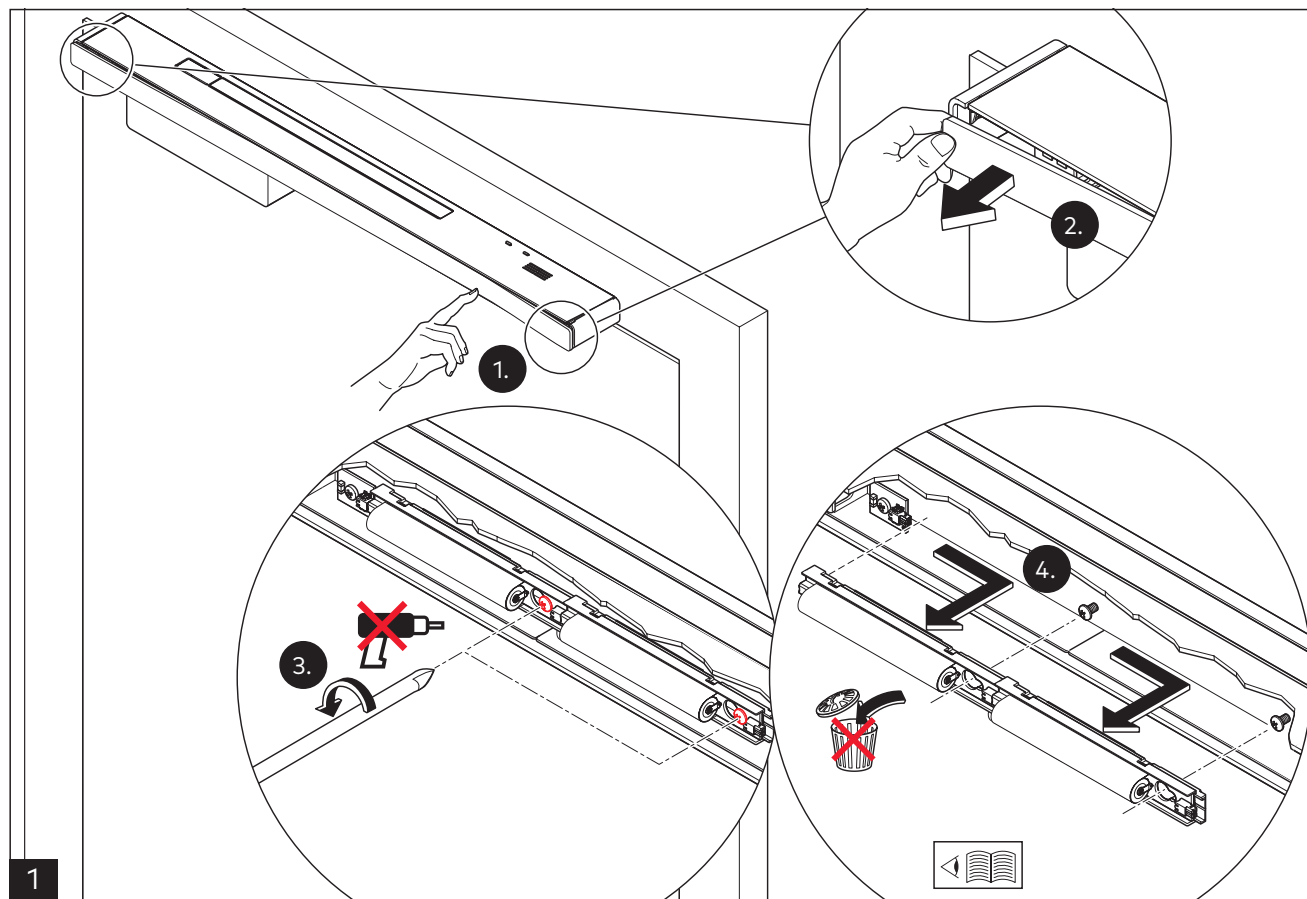
5 Check hold-open system



6 Completion of mounting



8 Maintenance and care



Translation of original manual, subject to change without notice

www.dormakaba.com

dormakaba Deutschland GmbH
DORMA Platz 1
58256 Ennepetal
Germany
T: +49 2333 793-0
F: +49 2333 793-4950