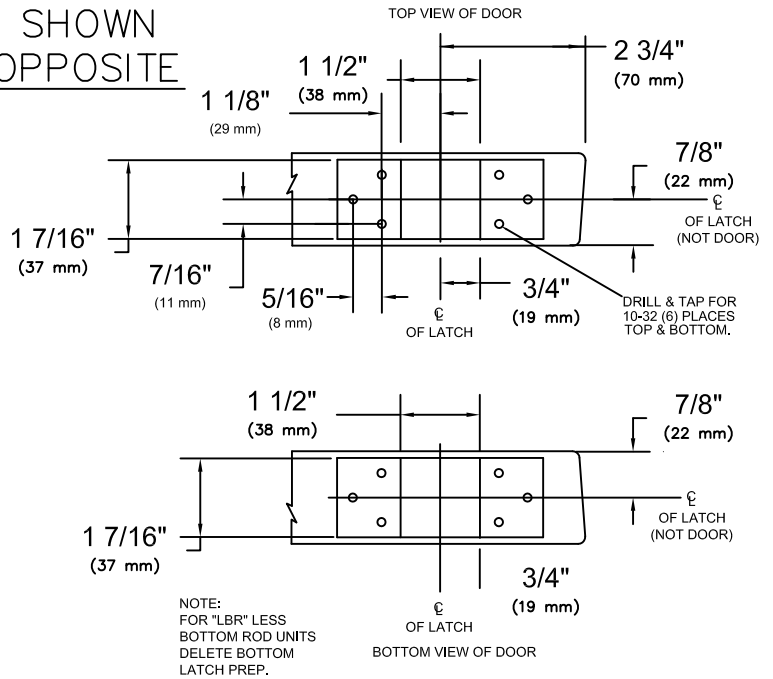
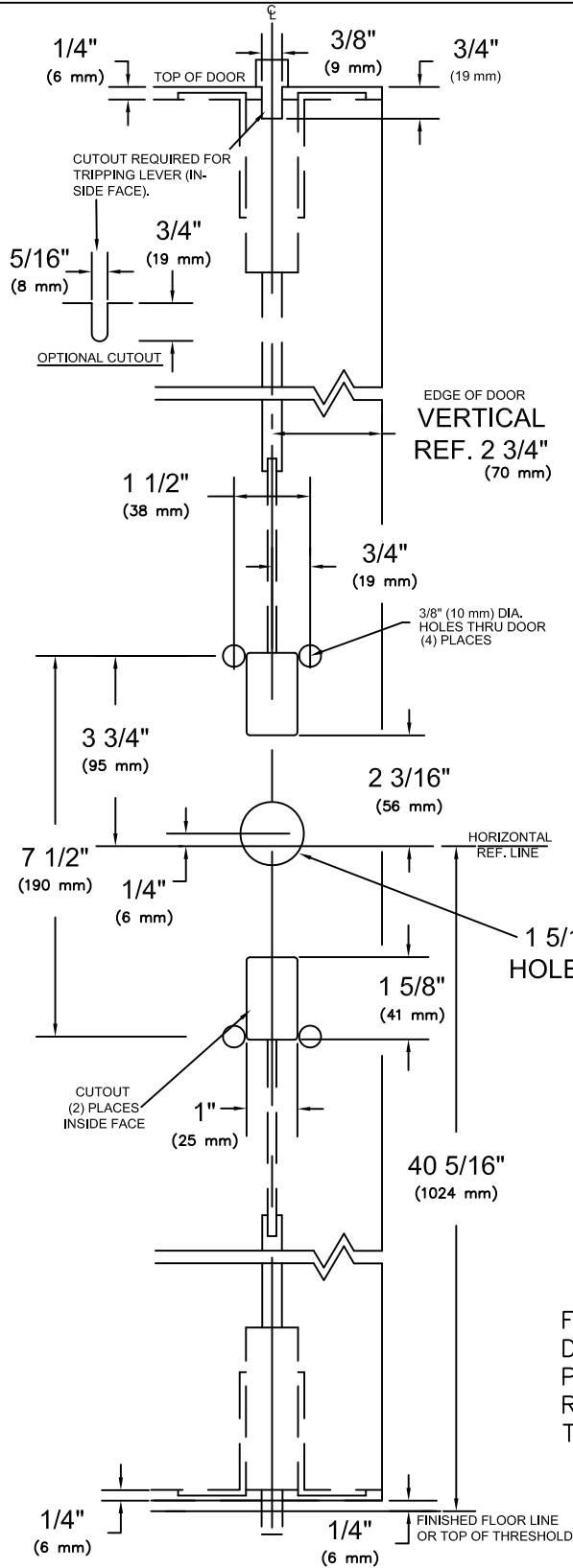
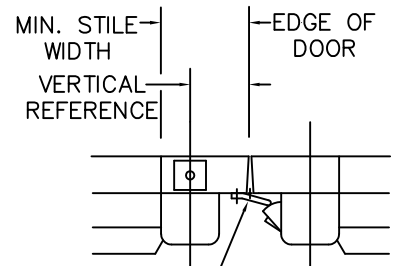
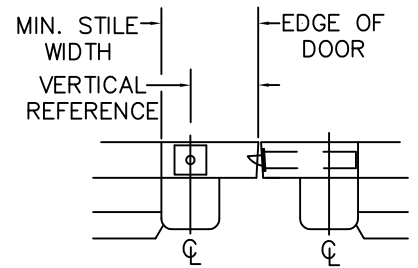
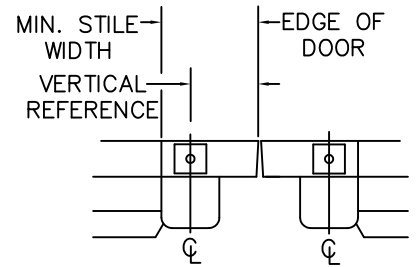


RHR SHOWN
LHR OPPOSITE



NOTE:
FOR "LBR" LESS
BOTTOM ROD UNITS
DELETE BOTTOM
LATCH PREP.



FOR 9300 SERIES
MOUNTING LOCATION
SEE APPROPRIATE
9300 TEMPLATES.

VERTICAL REFERENCE	MINIMUM STILE WIDTH
2 3/4" (70 mm)	4 3/16" (106 mm)

FOR LESS BOTTOM ROD (LBR)
DEVICES, DELETE BOTTOM LATCH
PREP. POPPER REQUIRED ON FIRE
RATED DEVICE, SEE TEMPLATE
T-4012.

NOTES:

1. SEE ADDITIONAL TRIM TEMPLATE WHEN REQUIRED.
2. DEVICE WILL COVER STANDARD SDI CUTOUT.
3. FOR SEX NUTS USE 3/8" DRILL.

REV. No. 4

REVISION: Lever Style Notes

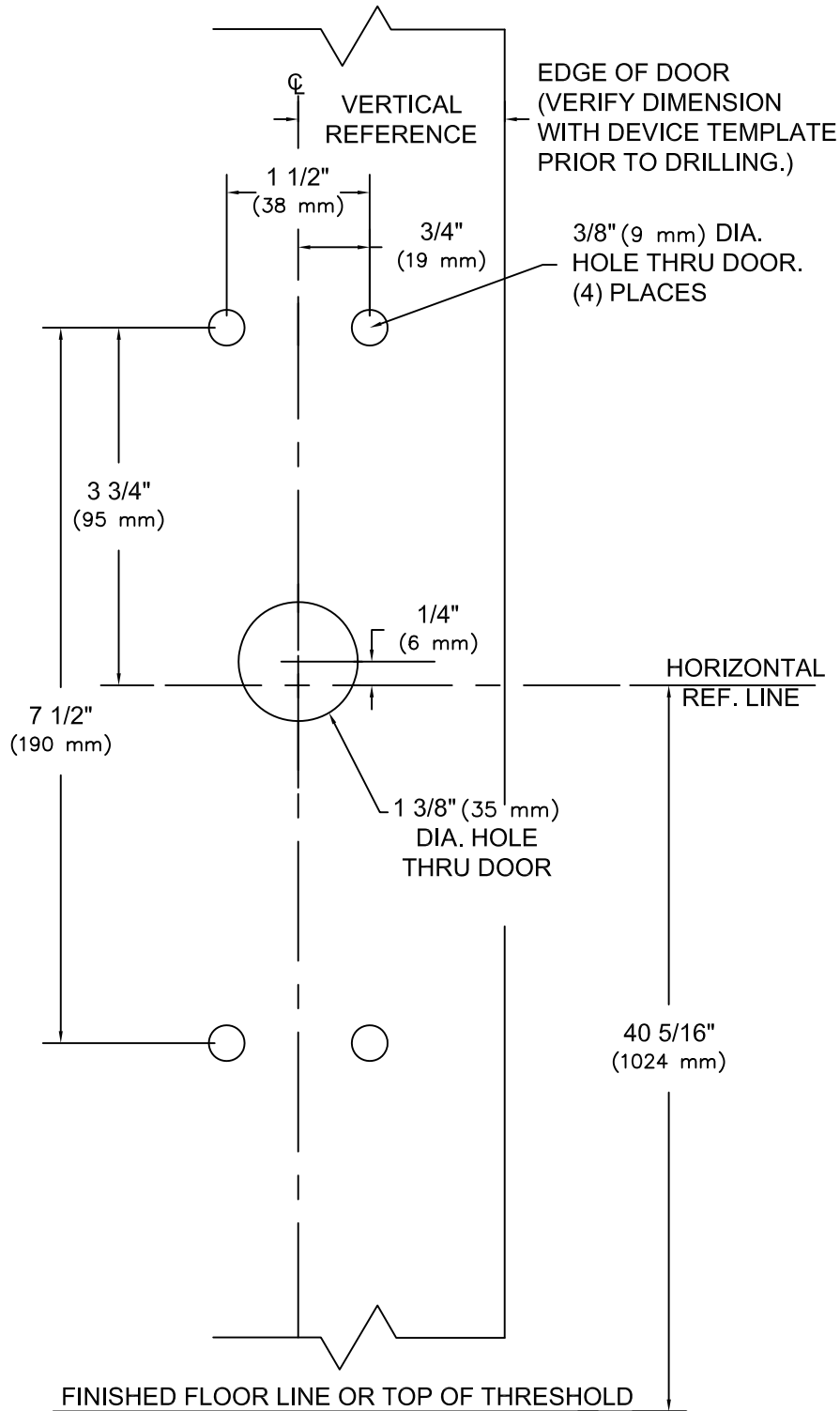
DATE: 1-27-2014



9100 & F9100 Y*03R
Note; * Denotes all Lever Design Styles
VERTICAL ROD EXIT DEVICE


TEMPLATE NUMBER
T-9104 ④

RHR SHOWN
LHR OPPOSITE



NOTES:

1. SEE MASTER SHEET #T-0001 FOR SUGGESTED DOOR REINFORCEMENT.
2. SEE ADDITIONAL DEVICE TEMPLATE WHEN REQUIRED.
3. TRIM WILL COVER STANDARD SDI CUTOUT.

REV. No. 6	REVISION: Lever Style Notes	DATE: 1-16-14
	<p>Y003, Y*03R TRIM</p> <p>Note; * Denotes all Lever Design Styles</p>	<p>TEMPLATE NUMBER</p> <p>T-9003 ©</p>