

Self-boarding gate and boarding pass control

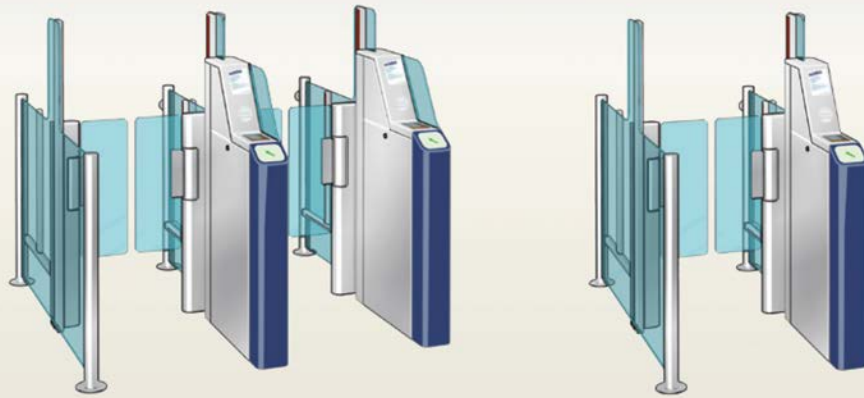
HSB-M03 Sensor Barrier

Product advantages

- High throughput rate reduces boarding time.
- Simple operation even with hand luggage.
- Highest security level due to extended sensor system.
- High personal safety due to unique safety sensors.
- Transparent and space-saving design.
- Audible signal in case of unauthorized access.
- Modular system to allow for multiple lanes in the gate area.

Interface

The HSB-M03 sensor barrier features a number of different interfaces for connection to the airline boarding application. The communication protocol is compliant with the most current AEA standard.



Incorporating technologies to optimize airport operations and empower the passenger is one of the most important aspects of modern Airport Improvement Programs. Our self-boarding gates and boarding pass control are high functioning, passenger-focused systems engineered to streamline processes securely and safely.

Self-boarding gates expedite supervised boarding of the aircraft and validate both paper and smart device boarding passes. Boarding pass controls allow passengers to quickly proceed to the security checkpoint once their boarding pass has been verified.

In addition to increasing operational efficiencies and passenger service, the sensor barrier technology seamlessly interfaces with airline and airport

systems to accurately collect data and ensure immediate user acceptance for improved throughput rates. Passenger luggage is automatically detected. Safety sensors prevent users from being pinched or injured.

Self-boarding gates provide a practical solution for improving passenger processing, while allowing airline staff to extend courtesy services to those requiring special attention.

The units are easily expanded with additional modules. The sensor barrier's transparent and space-saving design makes it a first choice for installing in all environments. An optional thermal printer can be integrated for outputting updated passenger information, such as seat imprint, gate change and vouchers.

The HSB-M03 reads boarding passes of all types.

Airline boarding pass



Printed online boarding pass



Smart device boarding pass



HSB-M03 Fact Sheet

The HSB-M03 sensor barrier can be installed as single or multiple units with modular extensions.

Construction

- Housing and base columns AISI 304 Stainless Steel
- Side panels tempered glass 3/8" (10)
- Drives integrated in the rotating tube
- Barcode scanner for paper documents and mobile devices
- Barcode valid-read audible signal
- Signal device LED arrow-cross

- 7" LCD screen for visual indicators and video sequences
- LED signals (red/green) at receipt slot
- Audible signal for announcement of unauthorized use
- Intelligent door panel control center for compensation of passenger errors

Software

- Full compliance with AEA standard

Options

- Touchscreen display
- Integration with biometric readers
- Central unit includes 2 auxiliary ports
- Common use SITA Certified BGR protocol
- Thermal printer for seat assignment imprint, gate change, and vouchers
- Combined 2D barcode and ID document reader
- Contactless reader for frequent flyer application
- Emergency button
- Customized door panels

Installation

- Anchored to level, finished floor, optional mount on portable platform

Sensor system

- Regulation of single file access by means of light sensors
- Pedestrian safety by means of sensor strips

Interface

- Different interfaces (ethernet, EIA-232, USB)

Finish

- Stainless steel satin finish (housing and base columns)
- Transparent or frosted glass (side panels)
- Tinted or transparent polycarbonate door panels

Electrical components

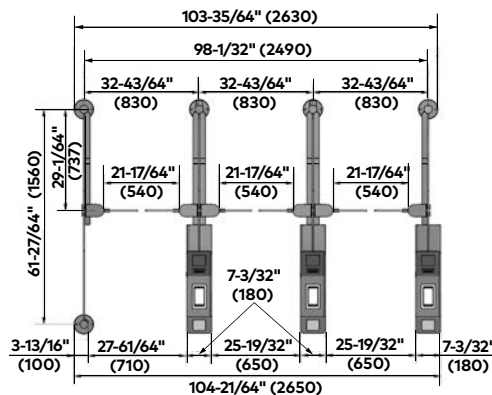
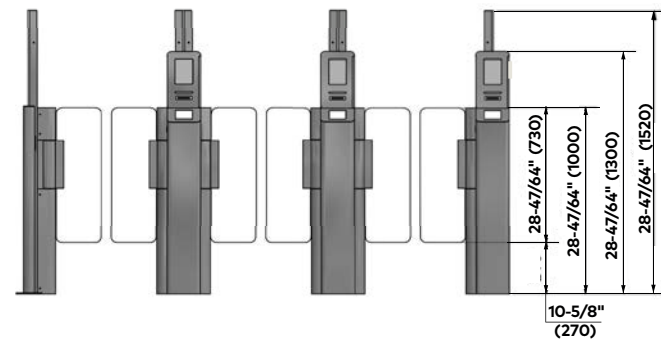
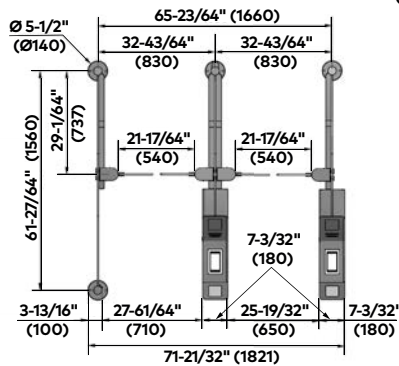
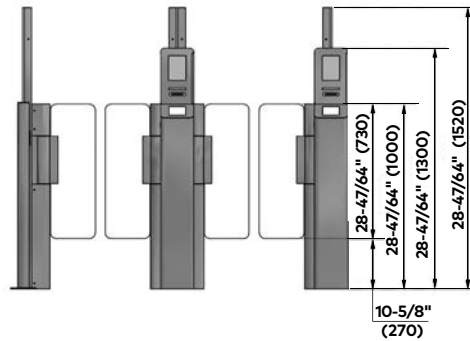
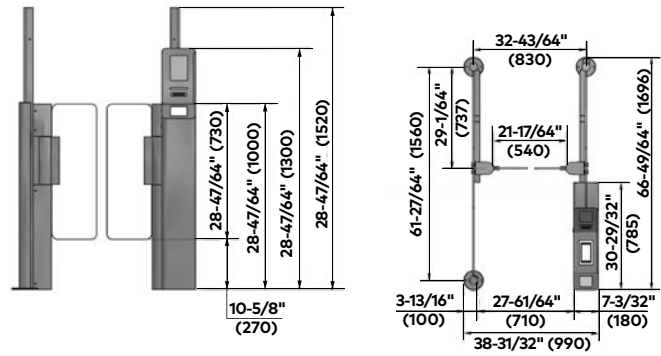
- ETS 21 control system & power supply unit integrated in unit
- Power supply 110-230 V AC 50-60 Hz

Barcodes

- 2D: PDF 417, DataMatrix, QR-Code, Aztec, EAN 13, etc.
- 1D: Code 39, Code 128, Industrial 2 of 5, etc.

Function

- Valid boarding pass opens door panels for entrance to security screening or jetway
- Door panels closed in locked position when not in use
- Emergency push button opens door panel to egress position



Note: In illustrations, measurements are shown as inches followed by millimeters; for example, 1" (25).

dormakaba
 Dorma Drive
 Drawer AC
 Reamstown, PA 17567
 844.773.2669