



# **INSTALLATION INSTRUCTIONS**

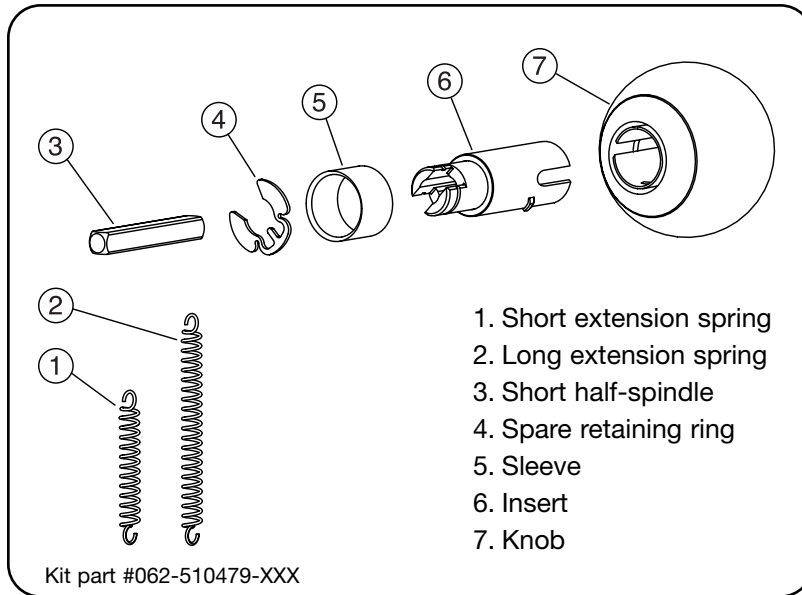
## **Solitaire 710-II SolitaireSMART**

Knob Retrofit Kit

PK2943



# Kit Contents



## NOTE:

The Solitaire 710-II outside housing is illustrated throughout these instructions. The same steps apply to the SolitaireSMART (740) outside housing, with only minor differences in the appearance of the trim.

## LOCK HANDING

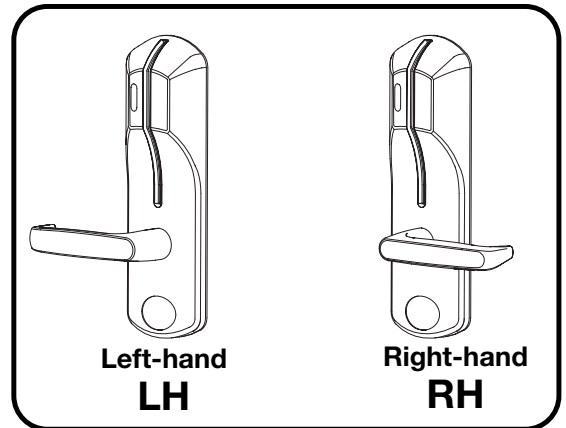
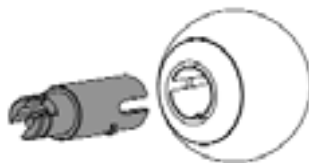
Before installing the knob, remove the lock from the door and check the handing of the outside housing.



**Warning:** Installation of this kit by the end user may cancel the complete lock warranty. **Kaba Ilco is not responsible for any damage caused by installation.**



**IMPORTANT: DO NOT install the knob on the insert before instructed to do so.** The retaining ring (4) will be difficult to install if the knob (7) is already assembled on the insert (6).

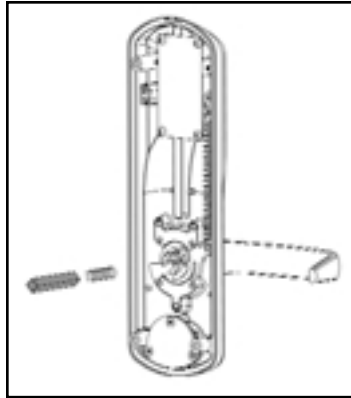


# Step by Step Instructions

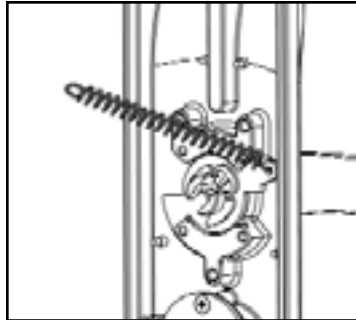
## Outside Housing

---

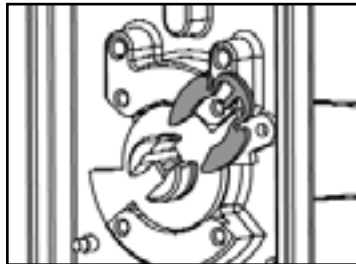
- 1** Remove spindle and compression spring.



- 2** Remove extension spring.



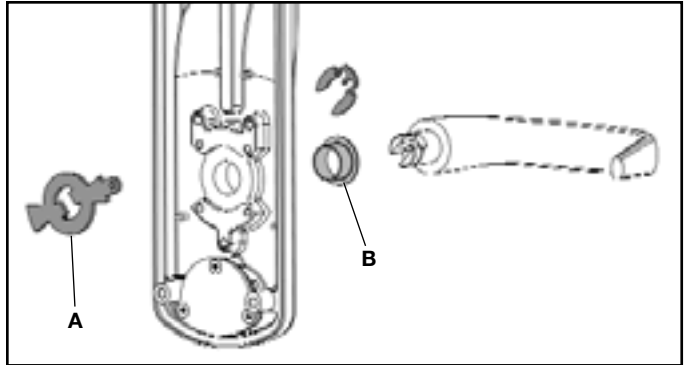
- 3** Remove retaining ring.



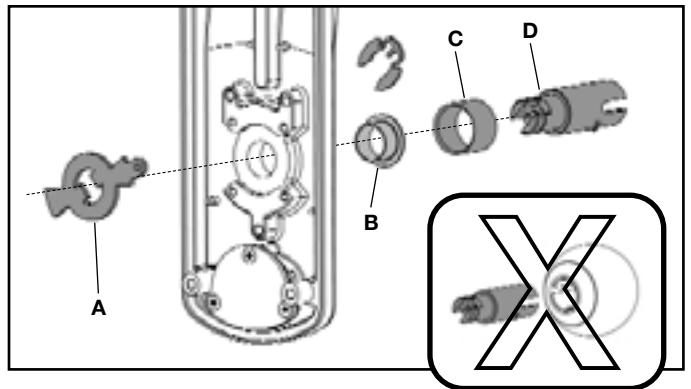
# Step by Step Instructions (cont)

## Outside Housing

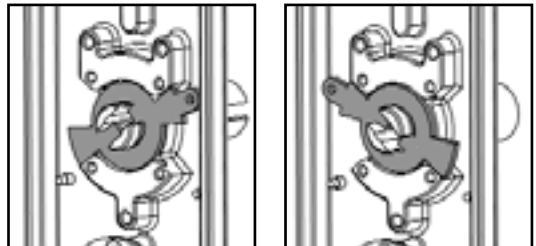
- 4** Disassemble stop plate (A), bushing (B) and lever.



- 5** Assemble insert (D) and sleeve (C) from kit with existing nylon bushing (B) and stop plate (A).



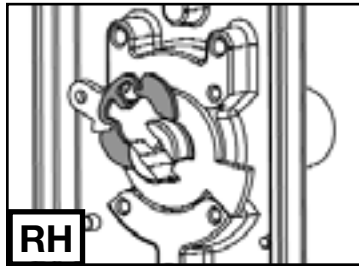
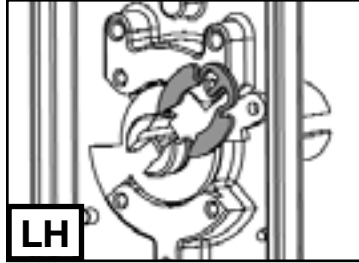
### ! Check handing



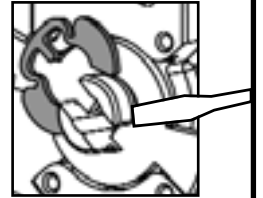
## Step by Step Instructions (cont)

### Outside Housing

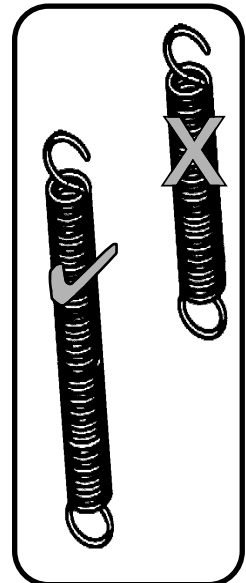
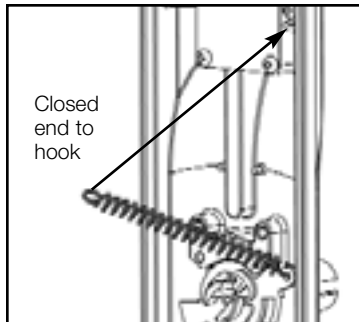
- 6** Reattach retaining ring in position shown.



**TIP:** Pry up the groove in the insert if necessary.



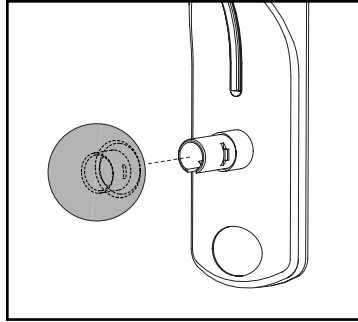
- 7** Connect the **long** extension spring from the knob kit between the stop plate and the hook on the housing.



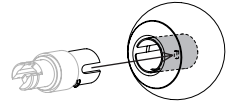
## Step by Step Instructions (cont)

### Outside Housing

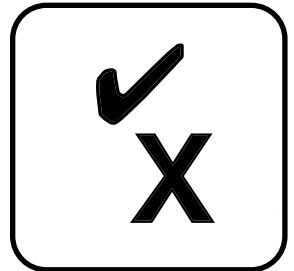
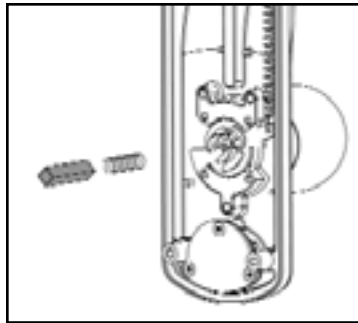
- 8** Assemble the knob on the insert. Ensure it clips in place.



**TIP:** The tooth inside the knob engages the slot on the insert.



- 9** Insert short half-spindle from kit and compression spring

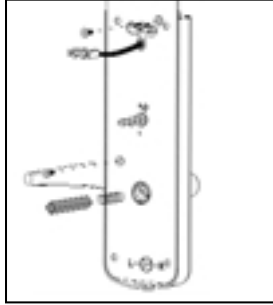


**IMPORTANT:** See notes at the end of this document before reinstalling lock on door.

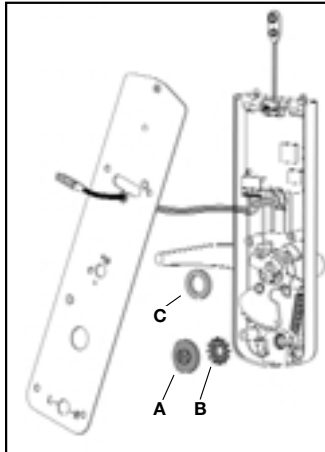
# Step by Step Instructions (cont)

## Inside Housing

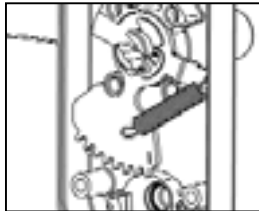
- 1.1** Remove spindle and compression spring. Unscrew two Phillips screws.



- 1.2** Remove plate. Remove override cam (A), gear (B) and felt washer (C).



- 2** Remove extension spring.



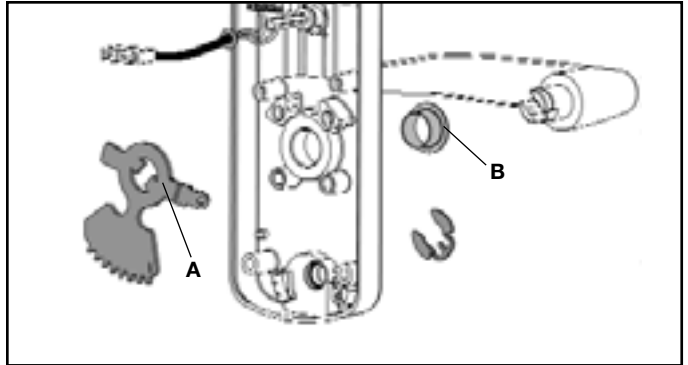
- 3** Remove retaining ring.



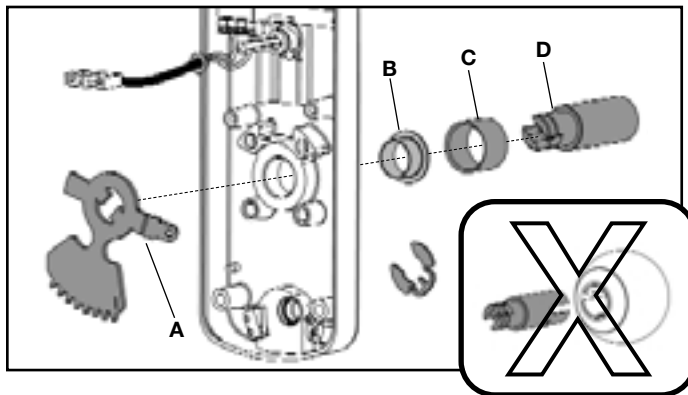
## Step by Step Instructions (cont)

### Inside Housing

- 4** Disassemble stop plate (A), bushing (B) and lever.



- 5** Assemble insert (D) and sleeve (C) from kit with existing nylon bushing (B) and stop plate (A).



### Check handing



LH



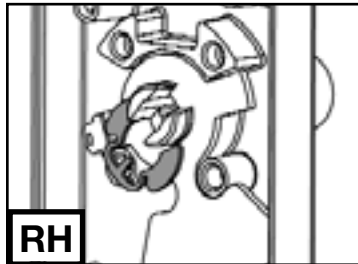
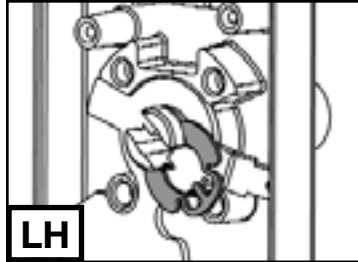
RH



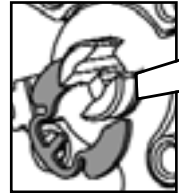
## Step by Step Instructions (cont)

### Inside Housing

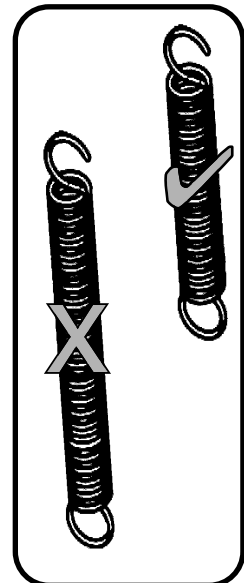
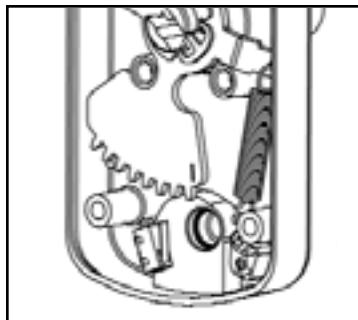
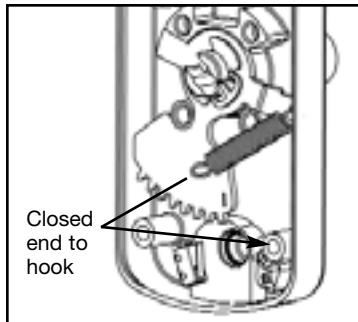
- 6** Reattach retaining ring in position shown.



**TIP:** Pry up the groove in the insert if necessary.



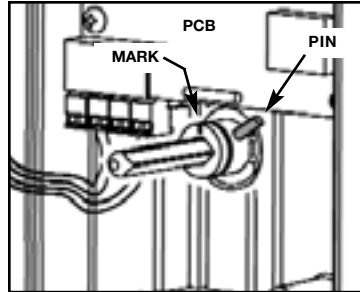
- 7.1** Connect the **short** extension spring from the knob kit between the stop plate and the hook on the housing.



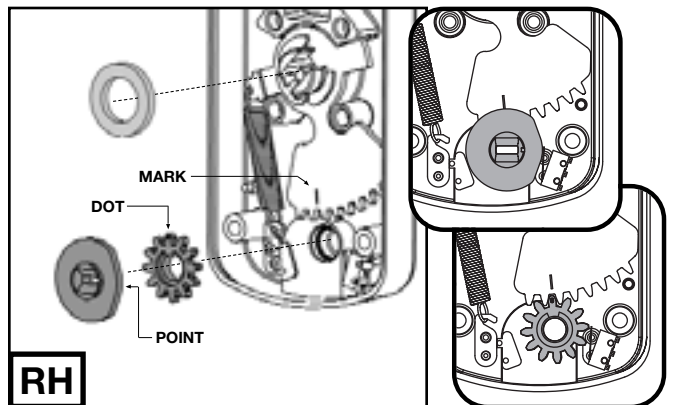
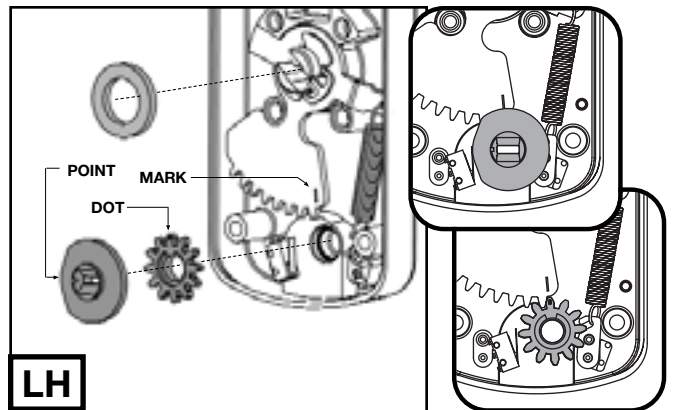
## Step by Step Instructions (cont)

### Inside Housing

- 7.2** If the thumbturn has a pin, position the pin as shown.



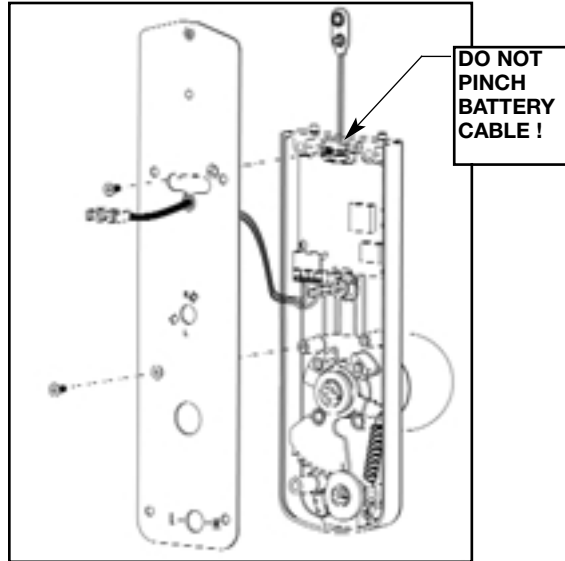
- 7.3** Install override gear, override cam, and felt washer.



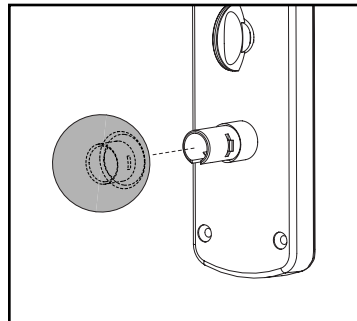
# Step by Step Instructions (cont)

Inside Housing

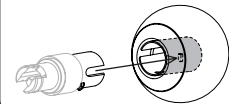
## 7.4 Reinstall plate



- 8** Assemble the knob on the insert. Ensure it clips in place.

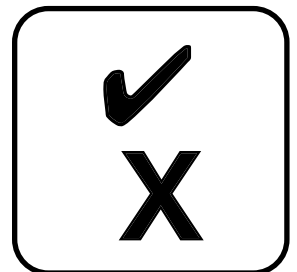
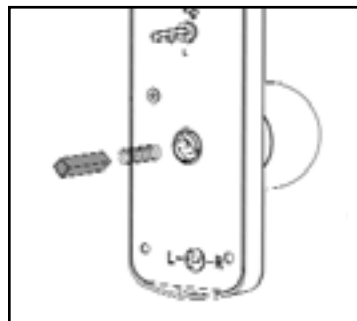


**TIP:** The tooth inside the knob engages the slot on the insert.



- 9** Insert short half-spindle from kit and compression spring.

**IMPORTANT:**  
See notes on following page before reinstalling lock on door.



# Step by Step Instructions (cont)

## Inside Housing

### IMPORTANT NOTES:

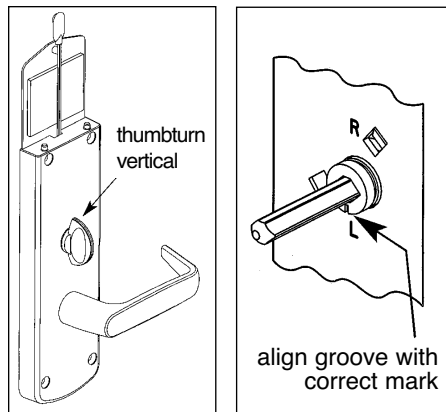
Always re-install the lock components on the same door from which they were taken.

If you disconnected the battery, you will need to reset the lock time to restore the lock to a working condition (see reference manual).

Check the following table for the correct positioning of the thumbturn before reinstalling:

Mortise	Hand	Thumbturn Position
AMM	RH	R
	LH	L
AMM Auto-Deadbolt	RH	R
	LH	L
SMM	RH	<b>L</b>
	LH	<b>R</b>

If there is no groove on the thumbturn or R/L marking on the inside housing, the orientation is not important. Simply ensure the thumbturn is vertical.





## Your Total Access Partner

---

Contact our office for the name of the sales representative  
or dealer/distributor in your region.



**[www.kaba-ilco.com](http://www.kaba-ilco.com)**

Customer Service: 1-877-468-3555 (North America)

Technical Support: 1-800-906-4526 (North America)

1-514-735-5411 (International)