

FFL	Finished floor level	Pro Green ES 400 PRO	Weight
LW	Passage width	1-leaf	1-leaf
LH	Clearance height	LW 800 - 3000	ES 400 PRO 1 x 250 kg
H	Installation height	B min. = 2 x LW + 233 (with fixed part / with post width 121mm)	
X	Noticed	2-leaf LW 1000 - 3000 (with fixed part / without post width)	2-leaf ES 400 PRO 2 x 200 kg
According to EN 16005 / DIN 18650 Construction and testing principles for automatic. For doors, this dimension may only be 4 - 8 mm.			

For doors with side panels and LM supports (through mounting), from a door leaf weight of approx. 120kg - depending on the clear width of the door - either a drive suspension or the drive variant with a height of 100mm is required.

Attention!  
the safety equipment of the automatic door must correspond to the risk analysis according to DIN 18650

Make sure the screws are secure!  
in the masonry with the in specified in the documentation anchors work.

RC2 anti-burglary class door glazing: Insulating safety glass according to DIN EN 356 P4A

RC3 anti-burglary class door glazing: Insulating safety glass according to DIN EN 356 P5A

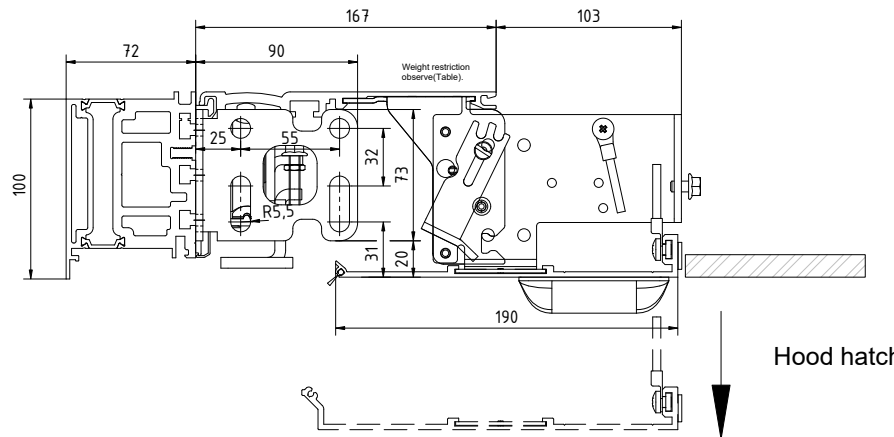
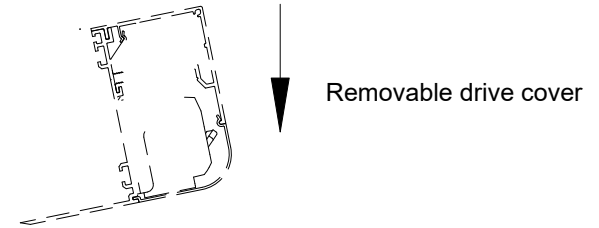
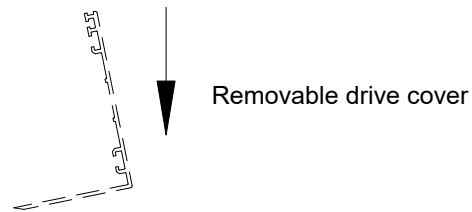
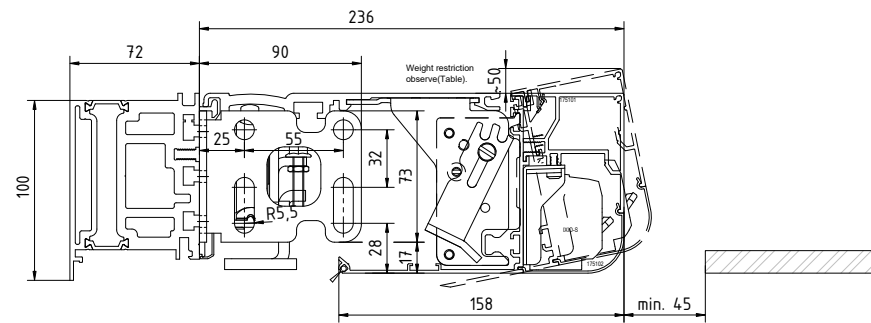
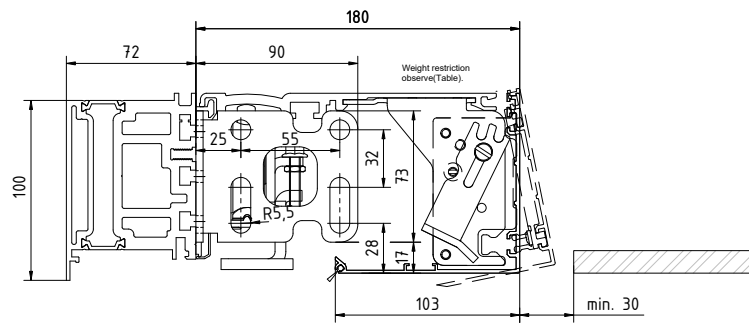
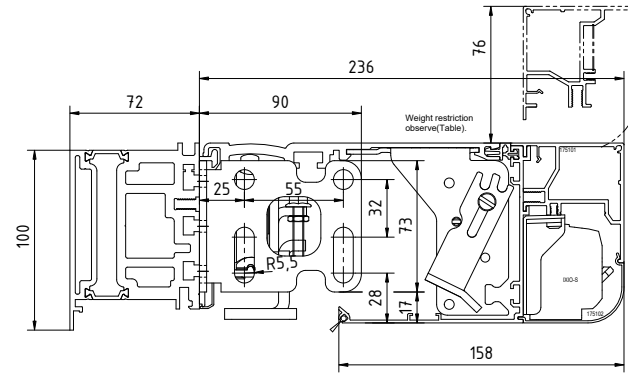
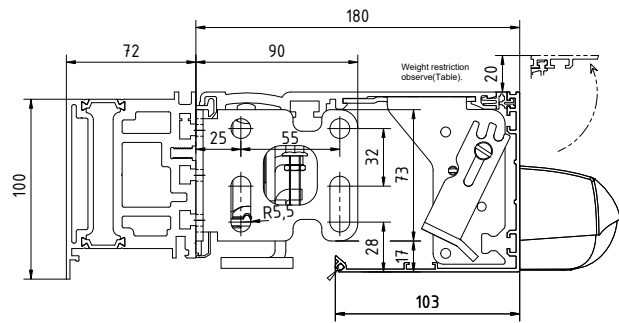
Manual unlocking  
Usable European profile cylinder (European profile cylinder 17 mm) 35 x 70mm according to DIN 18252 P2B2 (half cylinder European profile 17 mm) 35 x 10 according to DIN 18252  
For operation from the inside  
KABA star Round cylinder D=22, Typ 1515, 32,5 x 72,5mm, Execution AW2 according to EN 1303  
Half round cylinder 32,5/10 (CH)  
For operation from the inside.

ES PROLINE		257895-00-6-60	
1:1		1	

Copyright © 2015 by Hilti (USA) Inc. All rights reserved.  
 Hilti, the Hilti logo and ES PROLINE are registered trademarks of Hilti (USA) Inc.  
 Hilti is a registered trademark of Hilti (USA) Inc.







Removable drive cover

Removable drive cover

Hood hatch

Make sure the screws are secure!  
In the masonry with the in  
specified in the documentation  
anchors work.

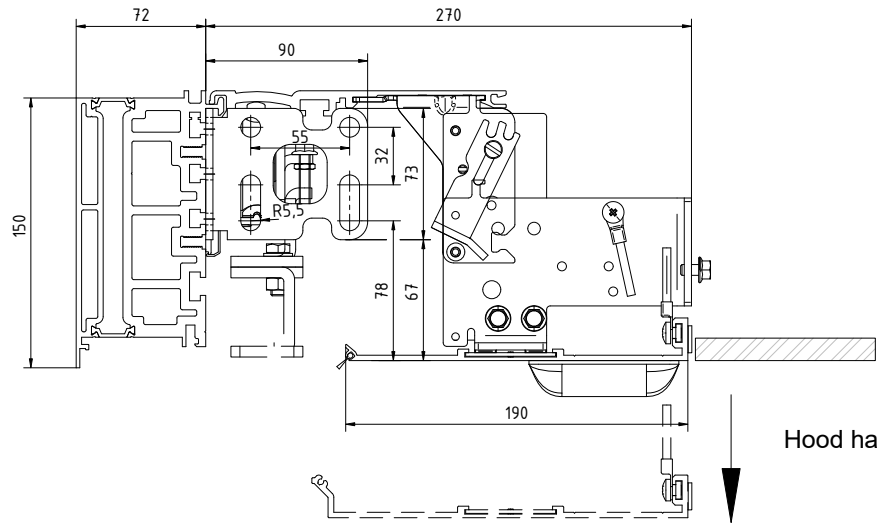
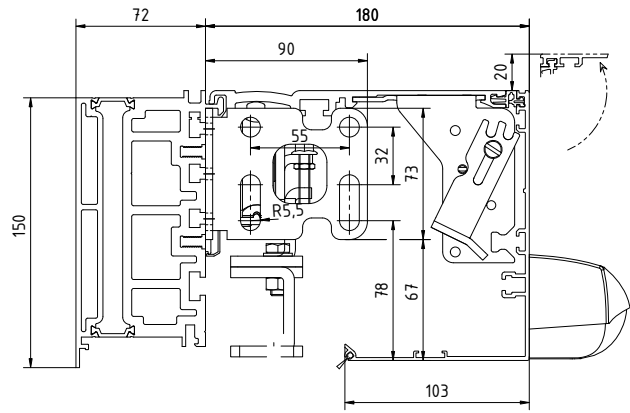
RC2 anti-burglary class door glazing: Insulating safety glass  
according to DIN EN 356 P4A

RC3 anti-burglary class door glazing: Insulating safety glass  
according to DIN EN 356 P5A

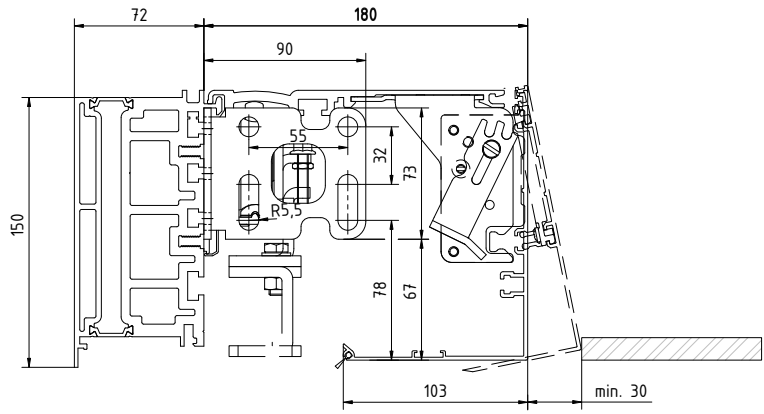
Rev.	Date	Name	Version	Signature
1				
2				
3				
4				
5				
6				
7				
8				
9				
10				
11				
12				
13				
14				
15				
16				
17				
18				
19				
20				
21				
22				
23				
24				
25				
26				
27				
28				
29				
30				
31				
32				
33				
34				
35				
36				
37				
38				
39				
40				
41				
42				
43				
44				
45				
46				
47				
48				
49				
50				
51				
52				
53				
54				
55				
56				
57				
58				
59				
60				
61				
62				
63				
64				
65				
66				
67				
68				
69				
70				
71				
72				
73				
74				
75				
76				
77				
78				
79				
80				
81				
82				
83				
84				
85				
86				
87				
88				
89				
90				
91				
92				
93				
94				
95				
96				
97				
98				
99				
100				

1:1 ES PROLINE  
257895-00-6-60

mechanical cover



Hood hatch



Removable drive cover

Make sure the screws are secure!  
In the masonry with the in  
specified in the documentation  
anchors work.

RC2 anti-burglary class door glazing: Insulating safety glass  
according to DIN EN 356 P4A

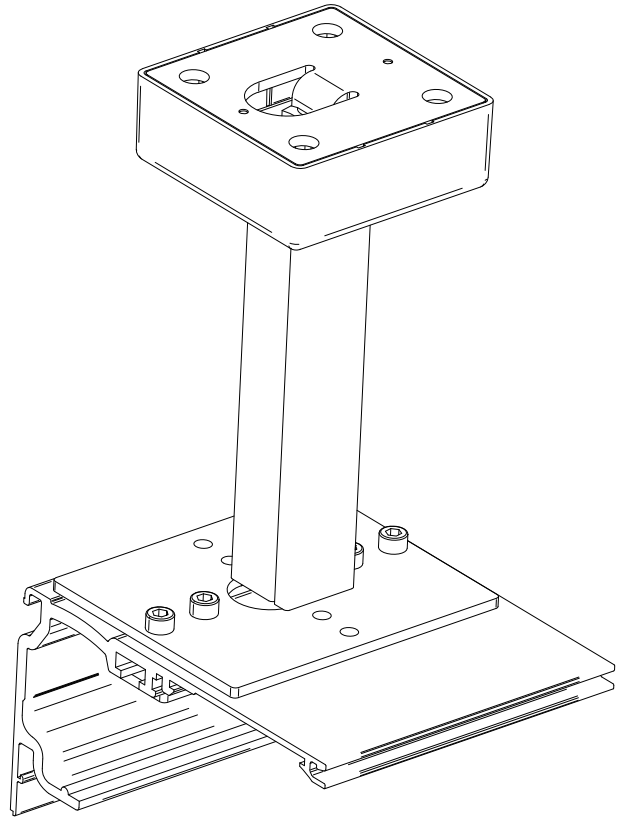
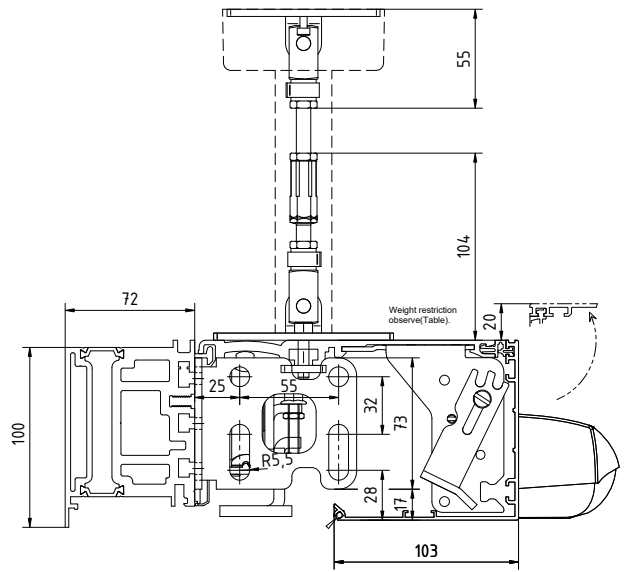
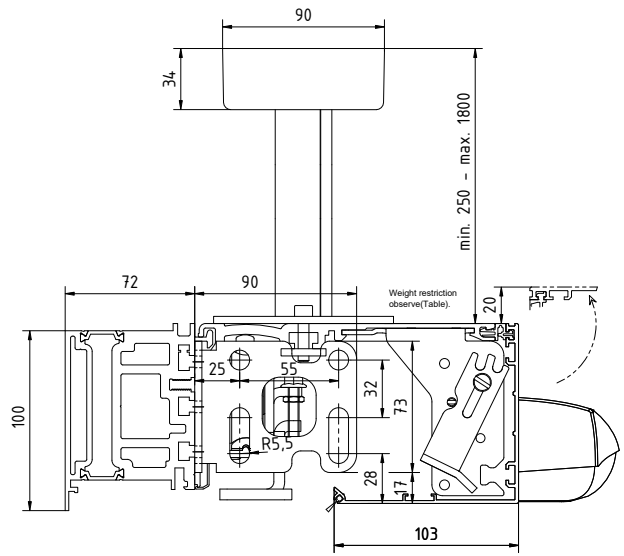
RC3 anti-burglary class door glazing: Insulating safety glass  
according to DIN EN 356 P5A

Rev.	Date	Name	Version	Scale	Material
1					
2					
3					
4					
5					
6					
7					
8					
9					
10					
11					
12					
13					
14					
15					
16					
17					
18					
19					
20					
21					
22					
23					
24					
25					
26					
27					
28					
29					
30					
31					
32					
33					
34					
35					
36					
37					
38					
39					
40					
41					
42					
43					
44					
45					
46					
47					
48					
49					
50					
51					
52					
53					
54					
55					
56					
57					
58					
59					
60					
61					
62					
63					
64					
65					
66					
67					
68					
69					
70					
71					
72					
73					
74					
75					
76					
77					
78					
79					
80					
81					
82					
83					
84					
85					
86					
87					
88					
89					
90					
91					
92					
93					
94					
95					
96					
97					
98					
99					
100					

Downloaded from https://www.proline.com/...  
 2024-09-10 10:00:00  
 © Proline GmbH 2024

Pro Green ES 400 PRO	Weight
1-leaf LW 800 - 3000 B min. = 2 x LW + 233 (with fixed part / with post width 121mm)	1-leaf ES 400 PRO 1 x 250 kg
2-leaf LW 1000 - 3000 (with fixed part / without post width)	2-leaf ES 400 PRO 2 x 200 kg

For doors with side panels and LM supports (through mounting), from a door leaf weight of approx. 125kg - depending on the clear width of the door - either a drive suspension or the drive variant with a height of 160mm is required.



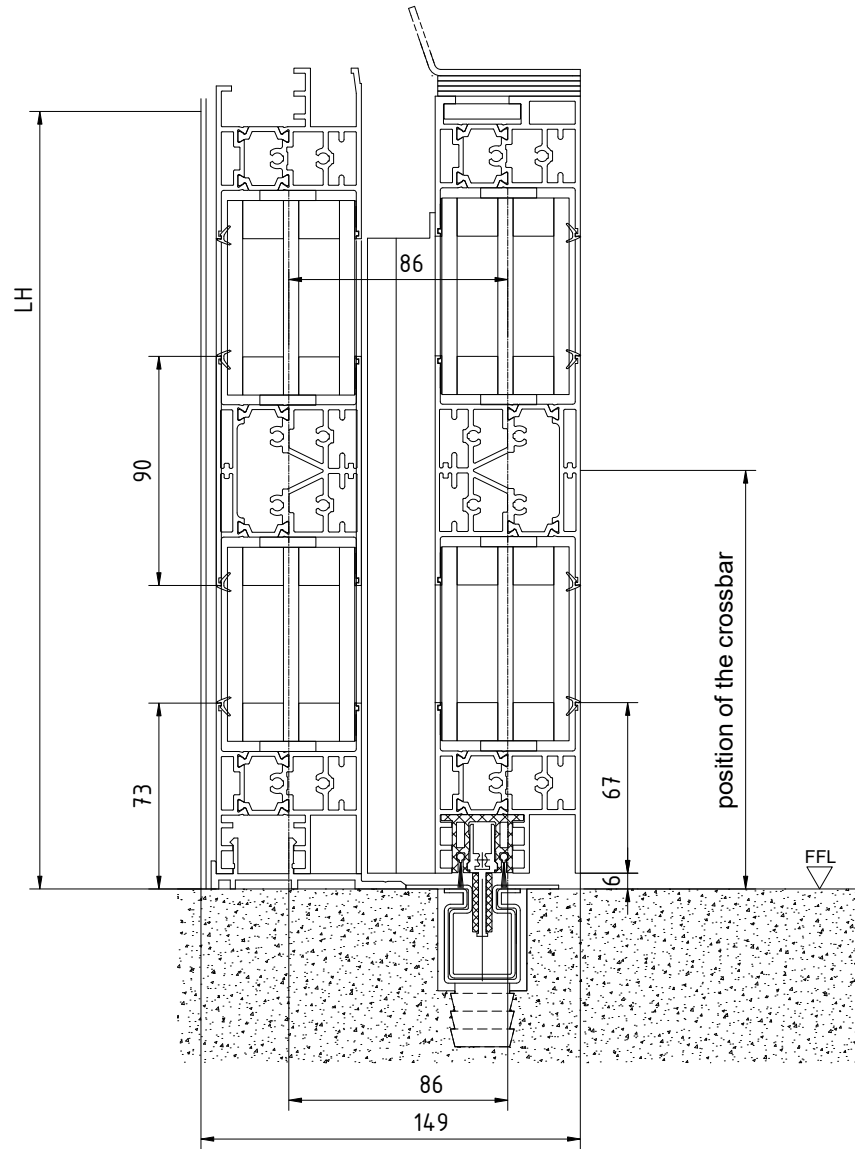
Make sure the screws are secure!  
In the masonry with the in  
specified in the documentation  
anchors work.

RC2 anti-burglary class door glazing: Insulating safety glass  
according to DIN EN 356 P4A

RC3 anti-burglary class door glazing: Insulating safety glass  
according to DIN EN 356 P5A

Rev.	Date	Name	Version	Signature
1				
2				
3				

ES PROLINE  
 257895-00-6-60  
 Mechanism handle



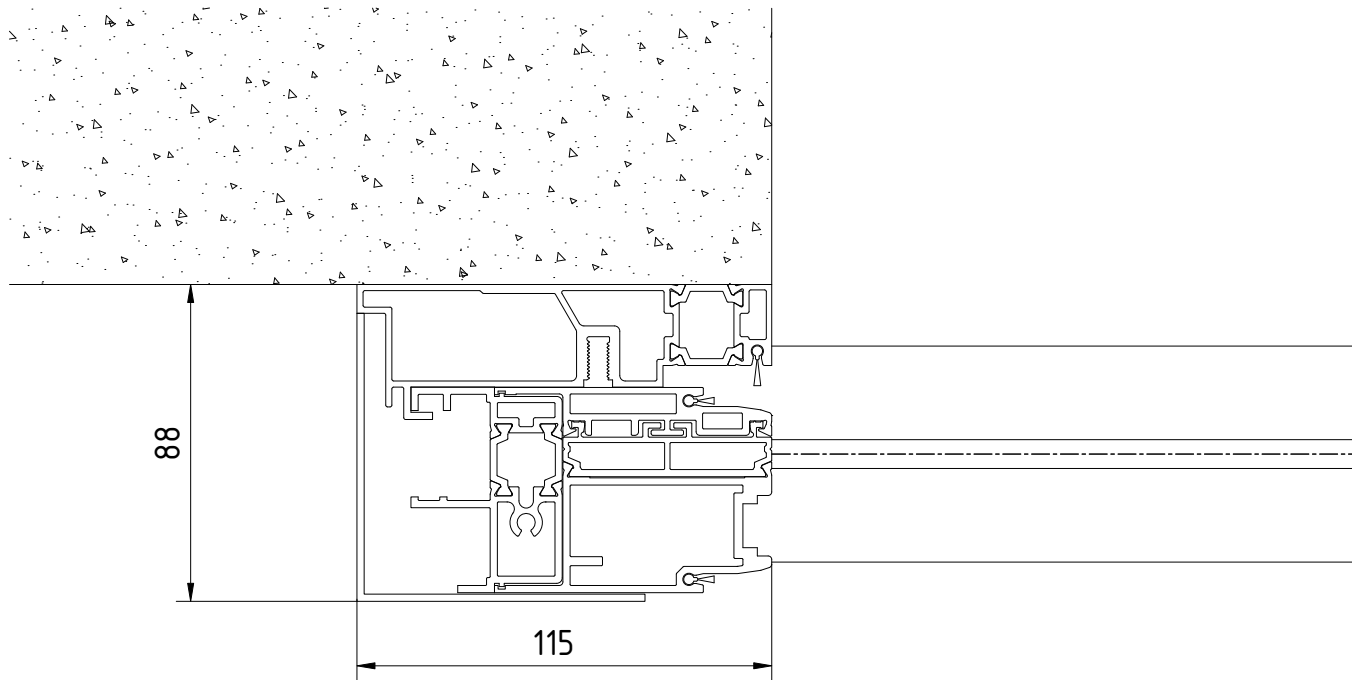
Make sure the screws are secure!  
In the masonry with the in-  
specified in the documentation  
anchors work.

RC2 anti-burglary class door glazing: Insulating safety glass  
according to DIN EN 356 P4A

RC3 anti-burglary class door glazing: Insulating safety glass  
according to DIN EN 356 P5A

3			Date	Name	Material	
2		Drawn	10.2021	Wenzel		
1		Tested				
01		Drawn				
		Scale	ES PROLINE sliding door Pro Green RC2 / RC3		257695-00-6-60 cross - insulating glass - with fixed part - recessed floor rail	257695-00-6-60 Vgr.:





Make sure the screws are secure!  
In the masonry with the in-  
specified in the documentation  
anchors work.

RC2 anti-burglary class door glazing: Insulating safety glass  
according to DIN EN 356 P4A

RC3 anti-burglary class door glazing: Insulating safety glass  
according to DIN EN 356 P5A

Distribution and reproduction of this document,  
 Use and communication of these contents is not permitted,  
 design to play, copy, reproduction. All rights reserved. In the case  
 of subject to the granting of patents or registration of other models.

3				Date	Name	Material	© dormakaba GmbH+Co.KG (DE) Ennepetal Issue: Format: <b>A2</b> Replacem.:			
2			Drawn	10.2021	Wenzel					
1			Tested							
Lid No. 10000000000000000000		Date	Name	Stand.			Replacem.:			
		Scale	ES PROLINE sliding door Pro Green RC2 / RC3			Drawing-No	Var.	Typ	Cond	Sheet
		1:1	receiving post - insulating glass- with fixed part - recessed floor rail			257695-00-6-60				1 von 01
						Var.:	00			