

A close-up photograph of a DORMA TS 69 door closer. The device is a long, rectangular metal component with a silver finish. A white plastic handle is attached to the top. A metal rod with a threaded section is visible on the left side. The DORMA logo is embossed on the right side of the device. The background is a plain, light gray.

TS 69  
—

Door Closer

# THE INEXPENSIVE SOLUTION FOR STANDARD DOORS

With the TS 69, DORMA has developed a low-cost door closer which can be universally used on all common door types. It is particularly quick and easy to install – and does not require a mounting backplate.

**Plus points**

**For the trade**

- The low cost solution for standard doors.
- Just one model for door-leaf fixing, pull side and frame fixing, push side.

**For the installer**

- Non-handed unit.
- Quick and easy to install.
- Fixes perfectly to all door types without the need for a mounting backplate.

The closer arm's power shoe and changes in templating allow easy selection of the closing force to suit various door sizes.

Certified to ISO 9001

**For the architect/specifier**

- Compact design.
- Certified reliability.

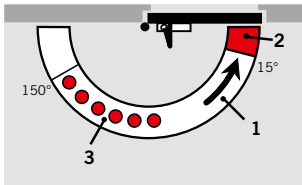
**For the user**

- Closing cycle largely unaffected by temperature changes.
- Two valves for optimum closing speed and reliable latching action.

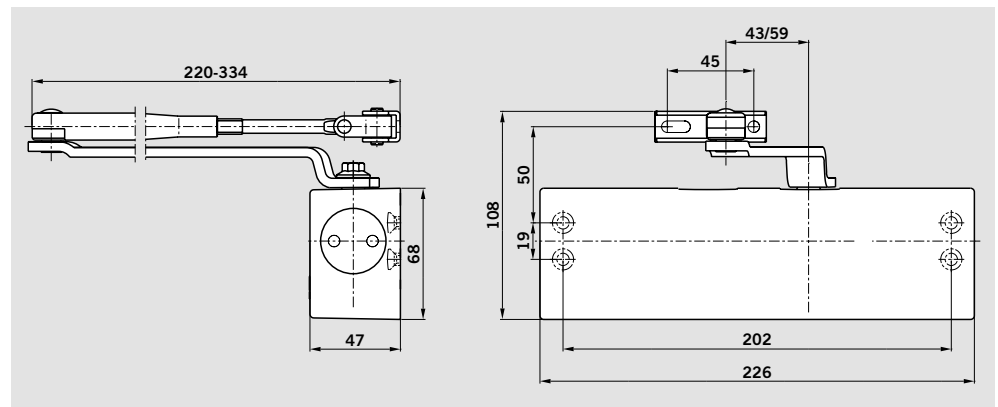
| Technical Data  |               | TS 69    |
|---|---------------|----------|
| Selectable closing force (variable via arm power shoe and templating) |               | EN 2/3/4 |
| Door width  | ≤ 1100 mm     | ●        |
| External doors, outward opening                                       |               | –        |
| Fire and smoke check doors  | ≤ 1100 mm     | –/●/●    |
| Non-handed  |               | ●        |
| Arm   | Standard arm  | ●        |
|   | Slide channel | –        |
| Closing speed adjustable via 2 independent valves                     | 180° – 15°    | ●        |
|   | 15° – 0°      | ●        |
| Backcheck   |               | –        |
| Delayed action  |               | –        |
| Hold-open   |               | ○        |
| Weight in kg  |               | 1.6      |
| Dimensions in mm  | Length        | 226.0    |
|   | Overall depth | 47.0     |
|   | Height        | 68.0     |
| Door closer tested to EN 1154   |               | ●        |
| CE mark for construction products                                     |               | –/●/●    |

● Yes – No ○ Option

**Standard and optional functions**



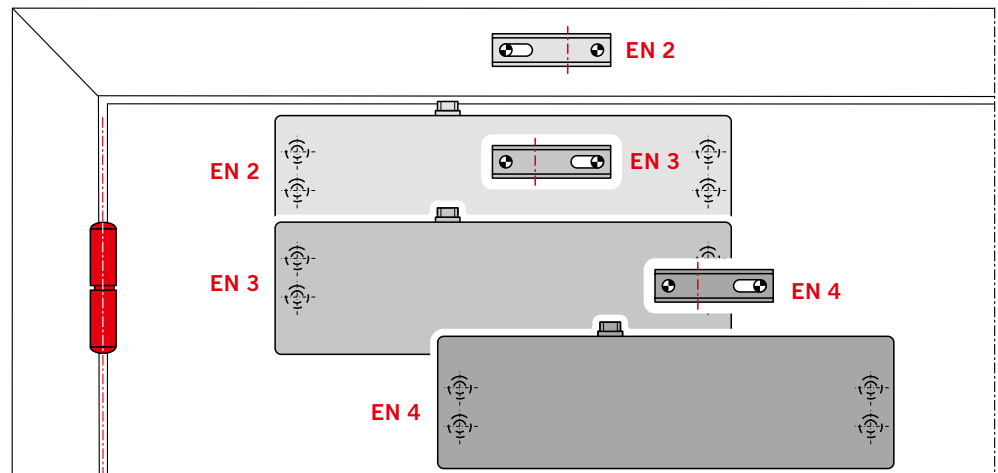
- 1 Adjustable closing speed in the range 180° – 15°.
- 2 Adjustable closing speed in the range 15° – 0°.
- 3 Hold-open range with hold-open arm model (optional extra).



**Closing force settings**

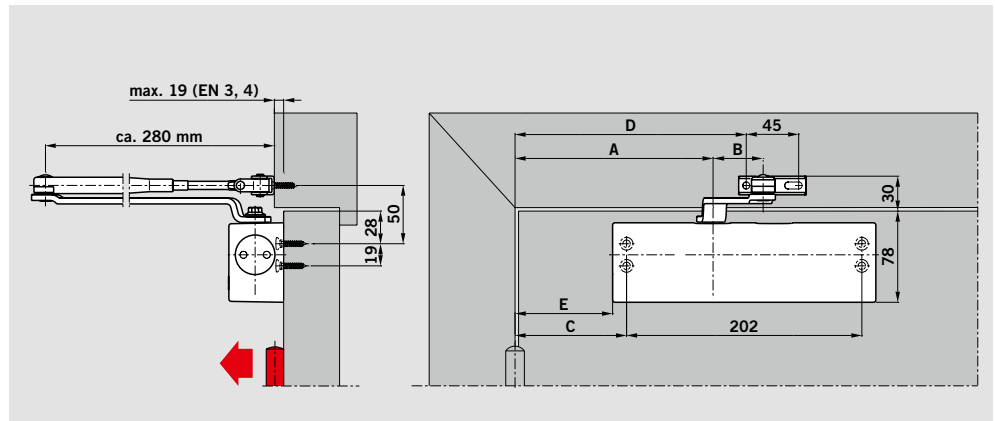
| Door width | Size setting |
|------------|--------------|
| ≤ 850      | EN 2         |
| ≤ 950      | EN 3         |
| ≤ 1100     | EN 4         |

The TS 69's size setting is selected for the door width by moving the closer body and/or turning the arm power shoe.



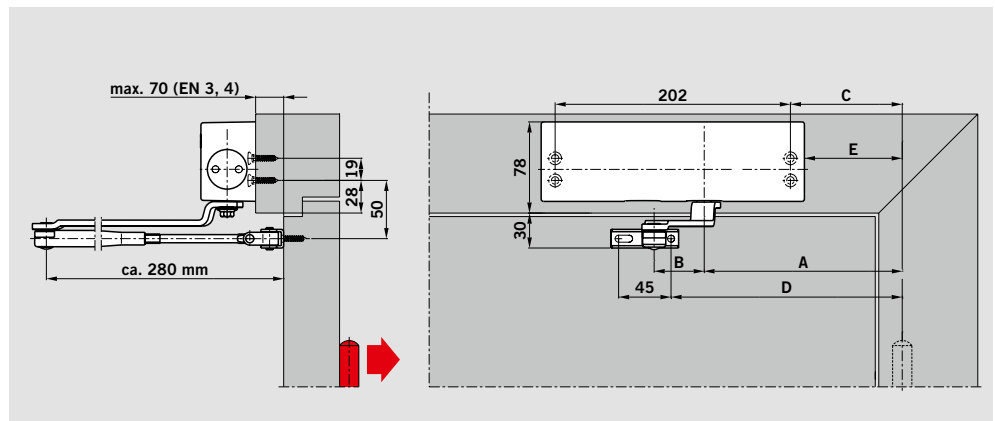
## DOOR-LEAF FIXING, PULL SIDE

|   | EN 2  | EN 3  | EN 4  |
|---|-------|-------|-------|
| A | 170.0 | 170.0 | 250.0 |
| B | 59.0  | 43.0  | 43.0  |
| C | 96.0  | 96.0  | 176.0 |
| D | 198.5 | 198.5 | 278.5 |
| E | 84.0  | 84.0  | 164.0 |



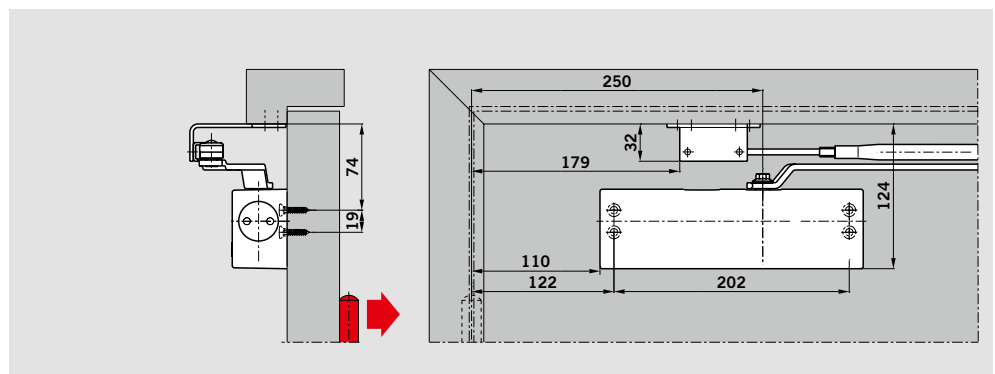
## FRAME FIXING, PUSH SIDE

|   | EN 2  | EN 3  | EN 4  |
|---|-------|-------|-------|
| A | 170.0 | 170.0 | 250.0 |
| B | 59.0  | 43.0  | 43.0  |
| C | 96.0  | 96.0  | 176.0 |
| D | 198.5 | 198.5 | 278.5 |
| E | 84.0  | 84.0  | 164.0 |



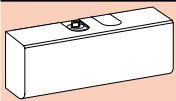
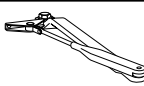
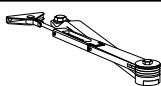

## PARALLEL ARM FIXING, PUSH SIDE

**EN 2**  
(door width max. 850 mm)



### Standard equipment and accessories

| xx | Colour           |
|----|------------------|
| 01 | silver           |
| 03 | brown            |
| 11 | white (RAL 9016) |
| 19 | black (RAL 9005) |

| Door closer TS 69   | Standard arm  | Hold-open arm   | Parallel arm bracket   |
|---|---|---|--|
|  |  |  |  |
| Size EN 2/3/4   | ■ 664801xx  | ■ 664802xx  | △  |

### Order-Number

■ □ = Closer with arm, complete  
△ = Accessory

### Specification text

Rack and pinion door closer according to EN 1154, carries the CE mark (EN 3/4), with selectable closing force, size EN 2, 3 and 4 and adjustable closing speed in two independent ranges. Non-handed.

### Model

- with standard arm
- with hold-open arm

### Colour

- silver
- brown
- white (similar to RAL 9016)
- black (similar to RAL 9005)

### Make

DORMA TS 69



DORMA Deutschland GmbH  
DORMA Platz 1  
58256 ENNEPÉTAL  
GERMANY  
Phone +49 2333 793-0  
Fax +49 2333 793-4950  
[www.dorma.com](http://www.dorma.com)