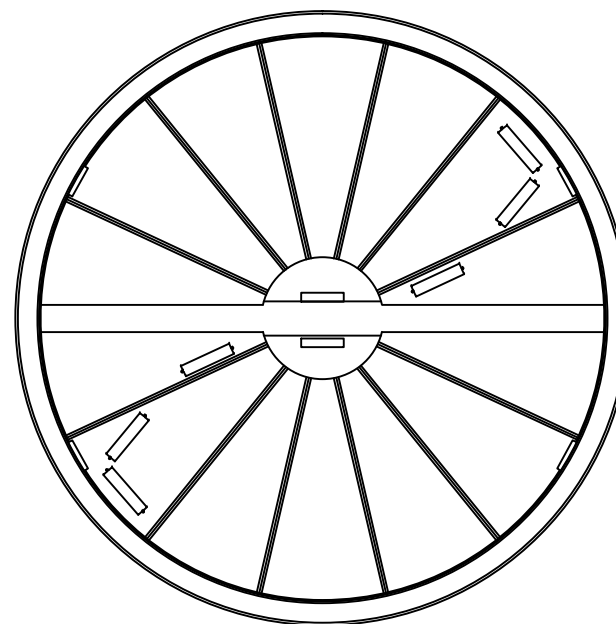
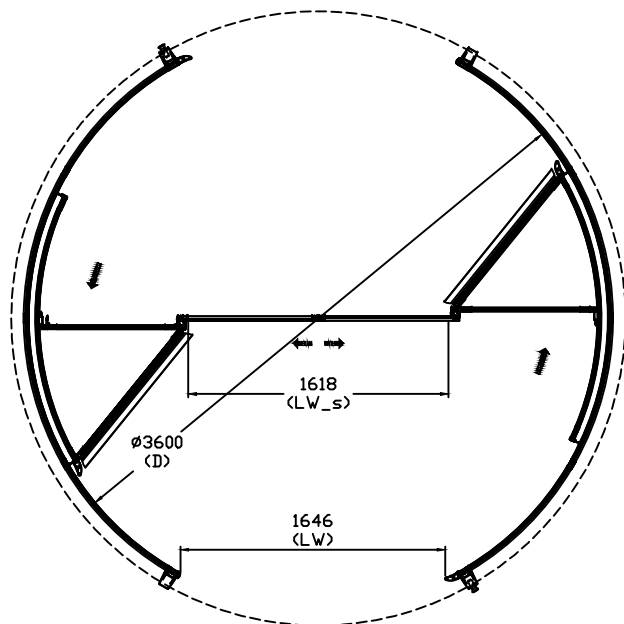


- D - Internal Diameter
- LH - Passage Height
- CH - Canopy Height
- LW - Passage Width-Revolving door
- LW_S - Passage Width-Sliding door
- B1 - External Diameter Drumwall
- B2 - External Diameter Canopy

Contract Number

APPROVAL SIGNATURE



Top view of ceiling

Safety Kits

- Standard Safety Kits, Recessed mounted
- Standard Safety Kits, Surface mounted
- PLUS Safety Kits, Comply with DIN 18650 / EN 16005

Spotlights

- 6 Pieces
- 12 Pieces

Tolerance reference to DIN7168 T1-g ($\pm 5\text{mm}$)

DORMA		Approval Drawing for Customer and Architects	
Door type		Page	
Project		DF	
Use this drawing together with SPECIFICATION LIST.			