



## 8190 Offset Round Entrance Pull Handles

dormakaba's offset round entrance pull handles epitomize the high quality ambitions of the dormakaba brand – designed for excellence down to the very last detail and exuding fine craftsmanship. They offer genuine quality, characterised by clearly defined features – irrespective of shape or size.

Created in solid, premium 316 Marine Grade Stainless Steel offering superior corrosion resistance for internal and external use in high traffic buildings. The offset round section allows comfortable ease of use.

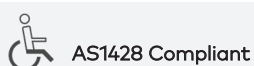
The 8190 offset round entry pull handles are an ideal choice for residential and commercial applications and are suitable for use on glass, timber and aluminium doors.

### Features at a glance:

- 316 Marine Grade Stainless Steel
- Designed with your project's needs in mind
- High durability with concealed fixings
- Standard finishes: SSS and PSS
- Powdercoat and custom finishes available on request

Please refer to ordering details for a range of optional accessories to suit:

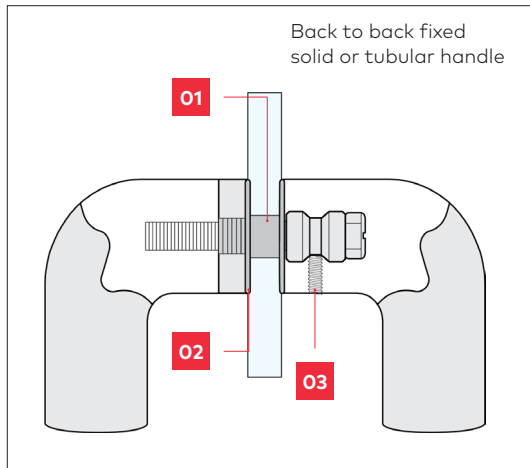
- Back to back extended fixing for timber doors
- Back to back fixing for glass doors
- Disc fixing for timber doors
- Disc fixing for glass doors



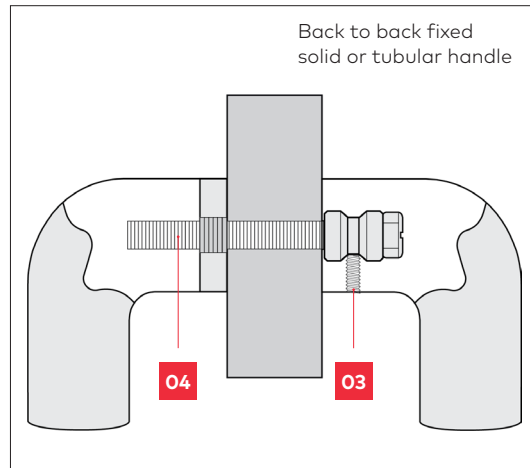
dormakaba Australia  
Head Office  
12-13 Dansu Court  
Hallam VIC 3803  
T: 1800 675 411  
[info.au@dormakaba.com](mailto:info.au@dormakaba.com)  
[www.dormakaba.com.au](http://www.dormakaba.com.au)

dormakaba New Zealand  
Head Office  
Building P, 61-69 Patiki Road  
Avondale, Auckland 1026  
T: 0800 436 762  
[info.nz@dormakaba.com](mailto:info.nz@dormakaba.com)  
[www.dormakaba.co.nz](http://www.dormakaba.co.nz)

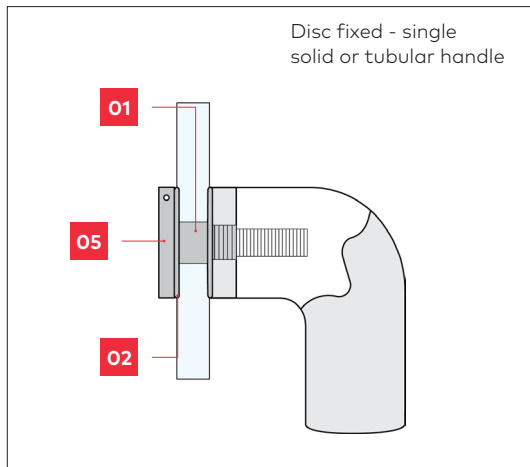
# Fixing options



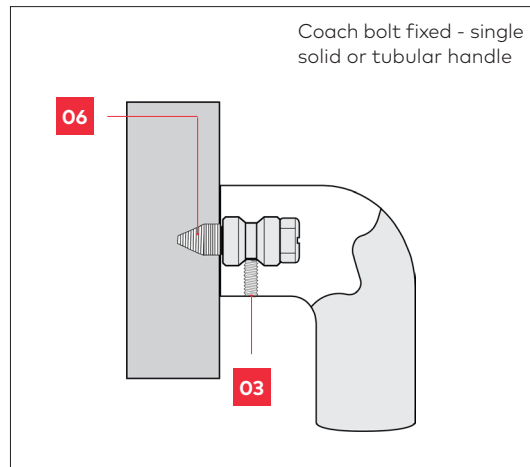
**GD FIX** - glass doors



**TM FIX** - timber or metal doors



**D FIX** - glass, metal or timber doors



**C FIX** - timber doors only

## Note

Nylon spacers and washers are included with handle for glass door fixing option.

## Legend

01 Spacer      03 Grub Screw      05 Disc  
02 Washer      04 Bolt      06 Coach Bolt

## TIMBER DOOR FIXING

Material Size	Bolt Size
14mm Ø	5mm
16mm Ø	5mm
19mm Ø	8mm
25mm Ø	8mm
32mm Ø	8mm

## METAL DOOR FIXING

Material Size	Bolt Size
14mm Ø	5mm
16mm Ø	5mm
19mm Ø	8mm
25mm Ø	8mm
32mm Ø	8mm

## GLASS DOOR FIXING

Material Size	Bolt Size
14mm Ø	12mm Ø
16mm Ø	12mm Ø
19mm Ø	12mm Ø
25mm Ø	12mm Ø
32mm Ø	12mm Ø

# Ordering details

Item	Article Number	Description	Diameter	Projection	Width	Length	Fixing Centres
<b>BACK TO BACK FIXING</b>							
B8190/1000/25/PSS	9458196654102	B8190/1000/25 OA 1025 CTC 1000 PSS	25mm	65mm	100mm	1025mm	1000mm
B8190/1000/25/SSS	9458196654101	B8190/1000/25 OA 1025 CTC 1000 SSS	25mm	65mm	100mm	1025mm	1000mm
B8190/1000/32/PSS	9458196655102	B8190/1000/32 OA 1032 CTC 1000 PSS	32mm	72mm	100mm	1032mm	1000mm
B8190/1000/32/SSS	9458196655101	B8190/1000/32 OA 1032 CTC 1000 SSS	32mm	72mm	100mm	1032mm	1000mm
B8190/1500/25/PSS	9458198394102	B8190/1500/25 OA 1525 CTC 1500 PSS	25mm	65mm	100mm	1525mm	1500mm
B8190/1500/25/SSS	9458198394101	B8190/1500/25 OA 1525 CTC 1500 SSS	25mm	65mm	100mm	1525mm	1500mm
B8190/1500/32/PSS	9458198395102	B8190/1500/32 OA 1532 CTC 1500 PSS	32mm	72mm	100mm	1532mm	1500mm
B8190/1500/32/SSS	9458198395101	B8190/1500/32 OA 1532 CTC 1500 SSS	32mm	72mm	100mm	1532mm	1500mm
B8190/400/25/PSS	9458193534102	B8190/400/25 OA 425 CTC 400 PSS	25mm	65mm	100mm	425mm	400mm
B8190/400/25/SSS	9458193534101	B8190/400/25 OA 425 CTC 400 SSS	25mm	65mm	100mm	425mm	400mm
B8190/400/32/PSS	9458193535102	B8190/400/32 OA 432 CTC 400 PSS	32mm	72mm	100mm	432mm	400mm
B8190/400/32/SSS	9458193535101	B8190/400/32 OA 432 CTC 400 SSS	32mm	72mm	100mm	432mm	400mm
B8190/600/25/PSS	9458194734102	B8190/600/25 OA 625 CTC 600 PSS	25mm	65mm	100mm	625mm	600mm
B8190/600/25/SSS	9458194734101	B8190/600/25 OA 625 CTC 600 SSS	25mm	65mm	100mm	625mm	600mm
B8190/600/32/PSS	9458194735102	B8190/600/32 OA 632 CTC 600 PSS	32mm	72mm	100mm	632mm	600mm
B8190/600/32/SSS	9458194735101	B8190/600/32 OA 632 CTC 600 SSS	32mm	72mm	100mm	632mm	600mm
B8190/800/25/PSS	9458195814102	B8190/800/25 OA 825 CTC 800 PSS	25mm	65mm	100mm	825mm	800mm
B8190/800/25/SSS	9458195814101	B8190/800/25 OA 825 CTC 800 SSS	25mm	65mm	100mm	825mm	800mm
B8190/800/32/PSS	9458195815102	B8190/800/32 OA 832 CTC 800 PSS	32mm	72mm	100mm	832mm	800mm
B8190/800/32/SSS	9458195815101	B8190/800/32 OA 832 CTC 800 SSS	32mm	72mm	100mm	832mm	800mm
<b>ACCESSORIES - EXTENDED FIXINGS</b>							
TM/M8/50	9459508058200	M8/50 FERULE HEAD BOLT TM FIX	<p><b>Note: When ordering extended fixings please use the below formula.</b></p> <p>Door thickness + 20mm for the Ferule + 10mm in to the other handle = round up to the nearest size offered.</p>				
TM/M8/75	9459758078200	M8/75 FERULE HEAD BOLT TM FIX					
TM/M8/90	9400000012887	M8/90 BOLT & 16MM FERULE TM FIX					
TM/M8/100	9400000012888	M8/100 BOLT & 16MM FERULE TM FIX					
TM/M8/110	9459118118200	M8/110 BOLT & 16MM FERULE TM FIX					
TM/M8/120	9459128128200	M8/120 BOLT & 16MM FERULE TM FIX					
TM/M8/130	9459138138200	M8/130 BOLT & 16MM FERULE TM FIX					
TM/M8/150	9459158158200	M8/150 BOLT & 16MM FERULE TM FIX					
<b>ACCESSORIES - GLASS FIXINGS</b>							
GF25/M8/50 RND	9459502588301	25 DIA RND GLASS FIXING PAIRS					
GF32/M8/50 RND	9459503288301	32 DIA RND GLASS FIXING PAIRS					
<b>CONCEALED FIXING</b>							
C8190/1000/25/PSS	9458196654202	C8190/1000/25 OA 1025 CTC 1000 PSS	25mm	65mm	100mm	1025mm	1000mm
C8190/1000/25/SSS	9458196654201	C8190/1000/25 OA 1025 CTC 1000 SSS	25mm	65mm	100mm	1025mm	1000mm
C8190/1000/32/PSS	9458196655202	C8190/1000/32 OA 1032 CTC 1000 PSS	32mm	72mm	100mm	1032mm	1000mm
C8190/1000/32/SSS	9458196655201	C8190/1000/32 OA 1032 CTC 1000 SSS	32mm	72mm	100mm	1032mm	1000mm

# Ordering details

Item	Article Number	Description	Diameter	Projection	Width	Length	Fixing Centres
C8190/1500/25/PSS	9458198394202	C8190/1500/25 OA 1525 CTC 1500 PSS	25mm	65mm	100mm	1525mm	1500mm
C8190/1500/25/SSS	9458198394201	C8190/1500/25 OA 1525 CTC 1500 SSS	25mm	65mm	100mm	1525mm	1500mm
C8190/1500/32/PSS	9458198395202	C8190/1500/32 OA 1532 CTC 1500 PSS	32mm	72mm	100mm	1532mm	1500mm
C8190/1500/32/SSS	9458198395201	C8190/1500/32 OA 1532 CTC 1500 SSS	32mm	72mm	100mm	1532mm	1500mm
C8190/400/25/PSS	9458193534202	C8190/400/25 OA 425 CTC 400 PSS	25mm	65mm	100mm	425mm	400mm
C8190/400/25/SSS	9458193534201	C8190/400/25 OA 425 CTC 400 SSS	25mm	65mm	100mm	425mm	400mm
C8190/400/32/PSS	9458193535202	C8190/400/32 OA 432 CTC 400 PSS	32mm	72mm	100mm	432mm	400mm
C8190/400/32/SSS	9458193535201	C8190/400/32 OA 432 CTC 400 SSS	32mm	72mm	100mm	432mm	400mm
C8190/600/25/PSS	9458194734202	C8190/600/25 OA 625 CTC 600 PSS	25mm	65mm	100mm	625mm	600mm
C8190/600/25/SSS	9458194734201	C8190/600/25 OA 625 CTC 600 SSS	25mm	65mm	100mm	625mm	600mm
C8190/600/32/PSS	9458194735202	C8190/600/32 OA 632 CTC 600 PSS	32mm	72mm	100mm	632mm	600mm
C8190/600/32/SSS	9458194735201	C8190/600/32 OA 632 CTC 600 SSS	32mm	72mm	100mm	632mm	600mm
C8190/800/25/PSS	9458195814202	C8190/800/25 OA 825 CTC 800 PSS	25mm	65mm	100mm	825mm	800mm
C8190/800/25/SSS	9458195814201	C8190/800/25 OA 825 CTC 800 SSS	25mm	65mm	100mm	825mm	800mm
C8190/800/32/PSS	9458195815202	C8190/800/32 OA 832 CTC 800 PSS	32mm	72mm	100mm	832mm	800mm
C8190/800/32/SSS	9458195815201	C8190/800/32 OA 832 CTC 800 SSS	32mm	72mm	100mm	832mm	800mm

DISC FIXING							
D8190/1000/25/PSS	9458196654302	D8190/1000/25 OA 1025 CTC 1000 PSS	32mm	72mm	100mm	1032mm	1000mm
D8190/1000/25/SSS	9458196654301	D8190/1000/25 OA 1025 CTC 1000 SSS	32mm	72mm	100mm	1032mm	1000mm
D8190/1000/32/PSS	9458196655302	D8190/1000/32 OA 1032 CTC 1000 PSS	25mm	65mm	100mm	1525mm	1500mm
D8190/1000/32/SSS	9458196655301	D8190/1000/32 OA 1032 CTC 1000 SSS	25mm	65mm	100mm	1525mm	1500mm
D8190/1500/25/PSS	9458198394302	D8190/1500/25 OA 1525 CTC 1500 PSS	32mm	72mm	100mm	1532mm	1500mm
D8190/1500/25/SSS	9458198394301	D8190/1500/25 OA 1525 CTC 1500 SSS	32mm	72mm	100mm	1532mm	1500mm
D8190/1500/32/PSS	9458198395302	D8190/1500/32 OA 1532 CTC 1500 PSS	25mm	65mm	100mm	425mm	400mm
D8190/1500/32/SSS	9458198395301	D8190/1500/32 OA 1532 CTC 1500 SSS	25mm	65mm	100mm	425mm	400mm
D8190/400/25/PSS	9458193534302	D8190/400/25 OA 425 CTC 400 PSS	32mm	72mm	100mm	432mm	400mm
D8190/400/25/SSS	9458193534301	D8190/400/25 OA 425 CTC 400 SSS	32mm	72mm	100mm	432mm	400mm
D8190/400/32/PSS	9458193535302	D8190/400/32 OA 432 CTC 400 PSS	25mm	65mm	100mm	625mm	600mm
D8190/400/32/SSS	9458193535301	D8190/400/32 OA 432 CTC 400 SSS	25mm	65mm	100mm	625mm	600mm
D8190/600/25/PSS	9458194734302	D8190/600/25 OA 625 CTC 600 PSS	32mm	72mm	100mm	632mm	600mm
D8190/600/25/SSS	9458194734301	D8190/600/25 OA 625 CTC 600 SSS	32mm	72mm	100mm	632mm	600mm
D8190/600/32/PSS	9458194735302	D8190/600/32 OA 632 CTC 600 PSS	25mm	65mm	100mm	825mm	800mm
D8190/600/32/SSS	9458194735301	D8190/600/32 OA 632 CTC 600 SSS	25mm	65mm	100mm	825mm	800mm
D8190/800/25/PSS	9458195814302	D8190/800/25 OA 825 CTC 800 PSS	32mm	72mm	100mm	832mm	800mm
D8190/800/25/SSS	9458195814301	D8190/800/25 OA 825 CTC 800 SSS	32mm	72mm	100mm	832mm	800mm
D8190/800/32/PSS	9458195815302	D8190/800/32 OA 832 CTC 800 PSS	25mm	65mm	100mm	1025mm	1000mm
D8190/800/32/SSS	9458195815301	D8190/800/32 OA 832 CTC 800 SSS	25mm	65mm	100mm	1025mm	1000mm

# Ordering details

Item	Article Number	Description	Diameter	Projection	Width	Length	Fixing Centres
<b>ACCESSORIES - EXTENDED FIXINGS</b>							
DF25/M8/75 PSS	9459752588102	25MM DISK FIX PAIR M8X75MM PSS					
DF25/M8/75 SSS	9400000014108	25MM DISK FIX PAIR M8X75MM SSS					
DF32/M8/75 PSS	9459753288102	32MM DISK FIX PAIR M8X75MM PSS					
DF32/M8/75 SSS	9400000014109	32MM DISK FIX PAIR M8X75MM SSS					
<b>ACCESSORIES - GLASS FIXINGS</b>							
GDF25/M8/50 PSS	9459502588102	25MM GLASS DISK FIX PSS PAIR M8X50MM					
GDF25/M8/50 SSS	9459502588101	25MM GLASS DISK FIX SSS PAIR M8X50MM					
GDF32/M8/50 PSS	9459503288102	32MM GLASS DISK FIX PSS PAIR M8X50MM					
GDF32/M8/50 SSS	9459503288101	32MM GLASS DISK FIX SSS PAIR M8X50MM					