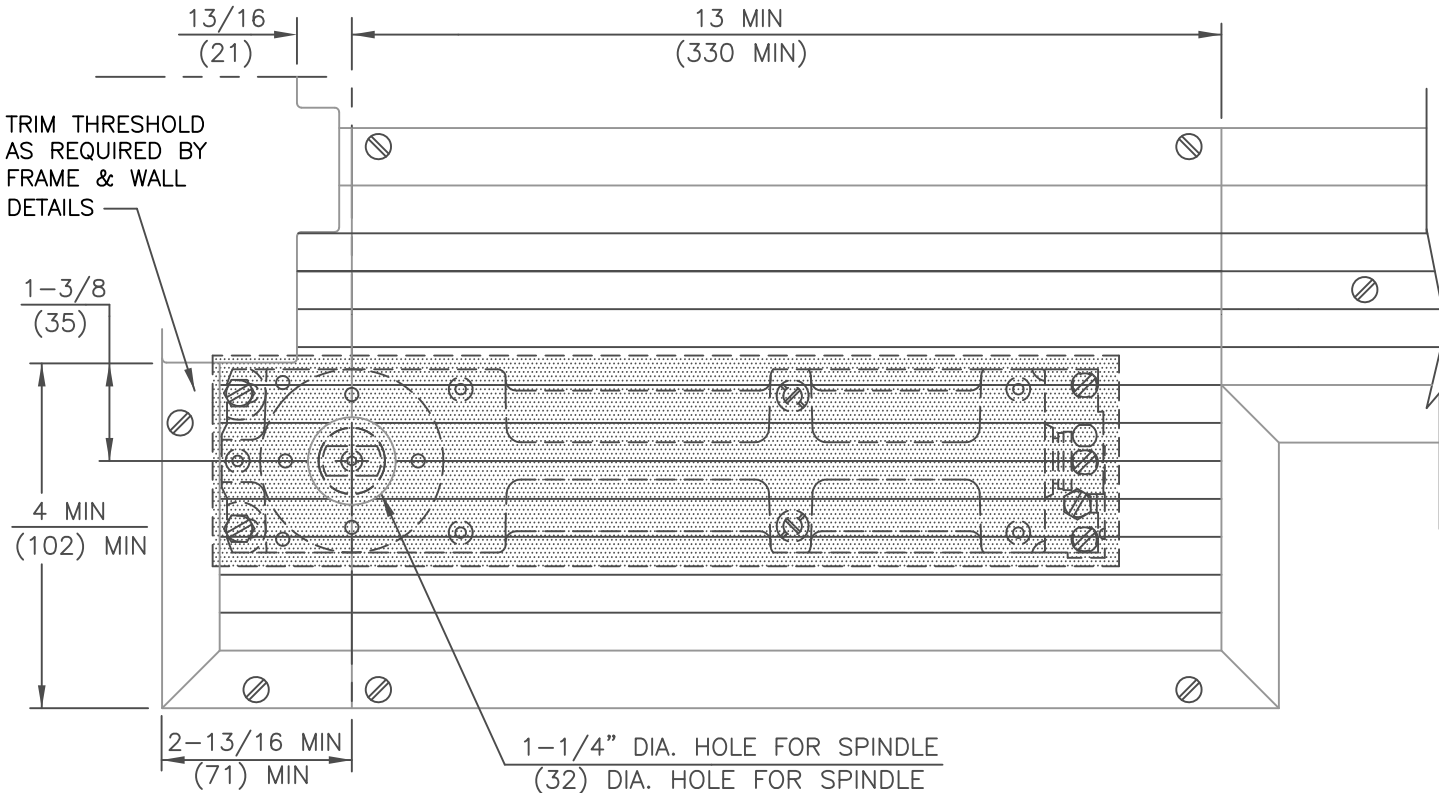


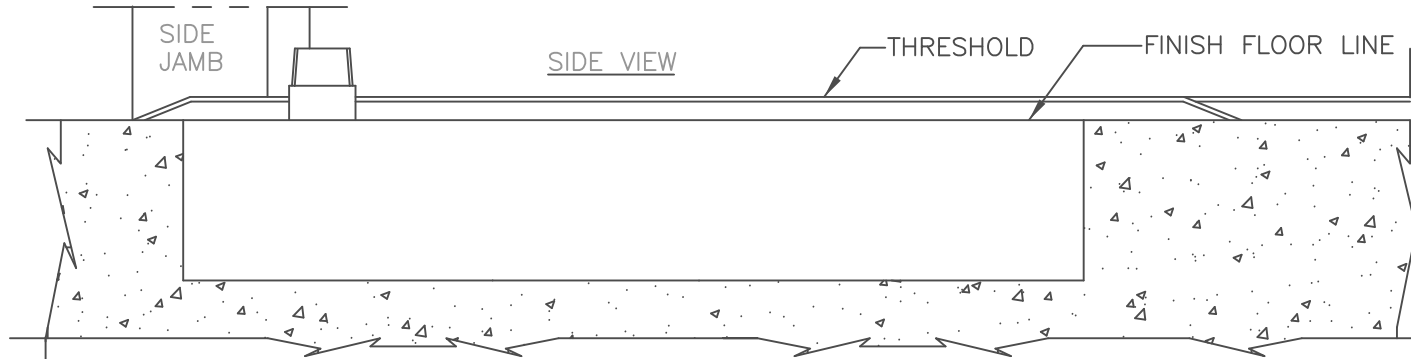
TOP VIEW



NOTES

1. DO NOT SCALE DRAWING.
2. DIMENSIONS ARE IN INCHES/(mm).
3. TOP OF CEMENT CASE MUST BE FLUSH WITH FINISH FLOOR LINE.
4. CEMENT CASE MUST BE LEVEL AND PARALLEL TO FRAME.
5. SEALING COMPOUND SC1 IS HIGHLY RECOMMENDED FOR EXTERIOR DOORS

SIDE VIEW



THRESHOLDS IN CONJUNCTION WITH  
BTS SERIES 1-1/2" OFFSET FLOOR CLOSER

THREE PIECE REMOVABLE THRESHOLDS ARE REQUIRED OVER THE CLOSER, TO ALLOW ACCESS TO THE SWEEP  
AND LATCH VALVES.

THRESHOLD CAN NOT BE ATTACHED DIRECTLY TO THE CLOSER BODY, AS IT IS ADJUSTABLE  
WITHIN THE CEMENT CASE.

THRESHOLD MUST BE FASTENED ON BOTH SIDES OF THE CEMENT CASE BY USE OF LAGS OR  
A SIMILAR METHOD. THIS WILL ALLOW REMOVAL OF THE CENTER THRESHOLD SECTION TO GAIN  
ACCESS TO THE CLOSER.

