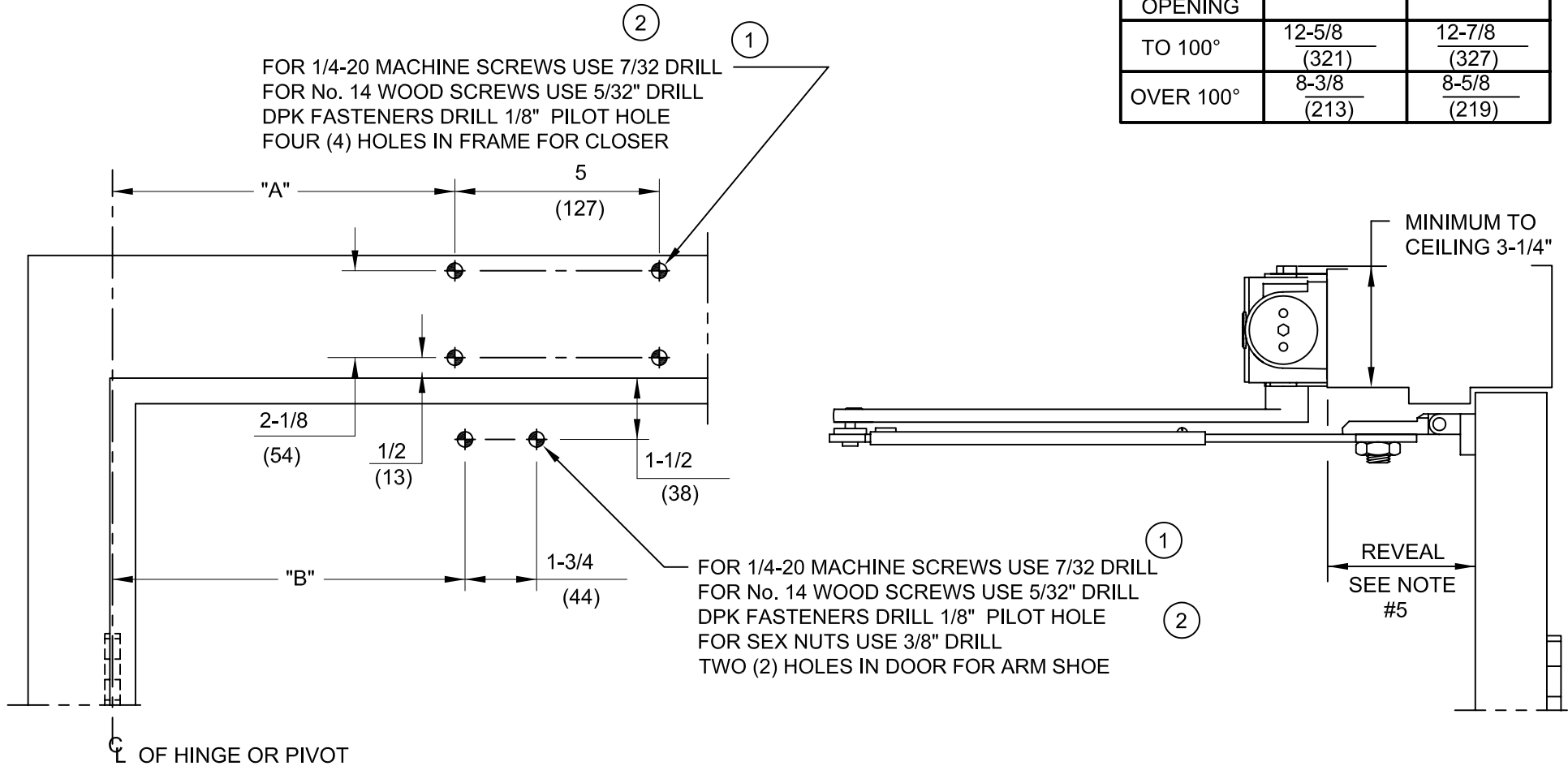


**NOTES:**

1. DO NOT SCALE DRAWING.
2. LEFT HAND DOOR SHOWN.
3. DIMENSIONS ARE IN INCHES/(MM).
4. CAUTION: SEX NUTS ARE REQUIRED FOR ATTACHMENT OF COMPONENTS TO UNREINFORCED DOORS AND TO WOOD OR PLASTIC FACED COMPOSITE TYPE FIRE DOORS, UNLESS AN ALTERNATIVE METHOD IS IDENTIFIED IN THE INDIVIDUAL DOOR MANUFACTURER'S LISTINGS.
5. SEE CATALOG FOR REVEAL AND HOLD OPEN RANGE INFORMATION.

No.	REVISIONS	DATE
1	CHANGE DRILL FROM #7 TO 7/32 & UPDATE DESCRIPTION	6/25/03
2	ADDED DPK FASTENERS	6/21/05

ANGLE OF OPENING	DIM. "A" CLOSER	DIM. "B" ARM SHOE
TO 100°	$\frac{12-5/8}{(321)}$	$\frac{12-7/8}{(327)}$
OVER 100°	$\frac{8-3/8}{(213)}$	$\frac{8-5/8}{(219)}$



DOOR CLOSER MODELS: 8916, 8956 FHJ  
 TOP JAMB INSTALLATION (PUSH SIDE MOUNT)



DORMA Architectural Hardware

REAMSTOWN, PENNSYLVANIA 17567

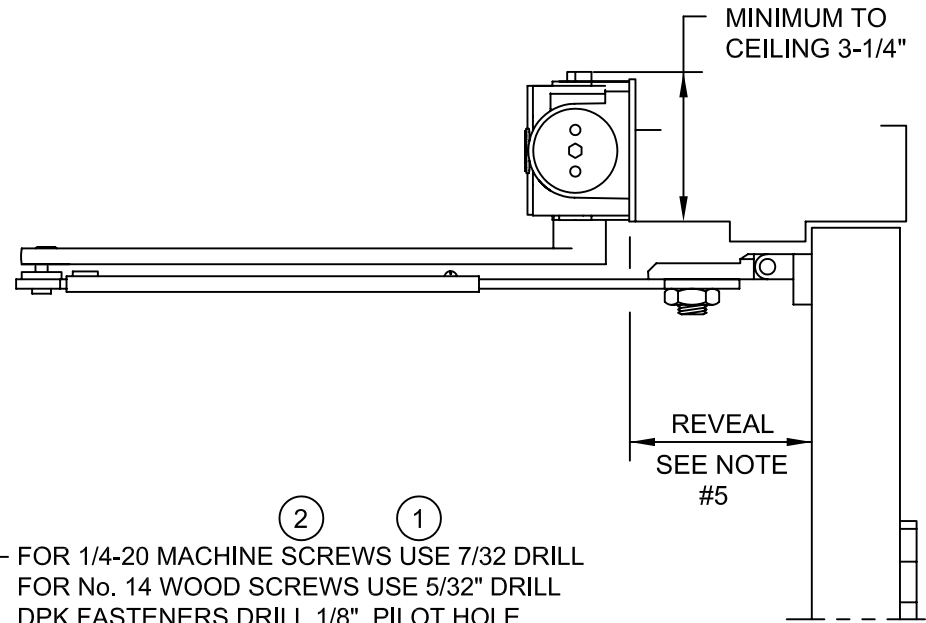
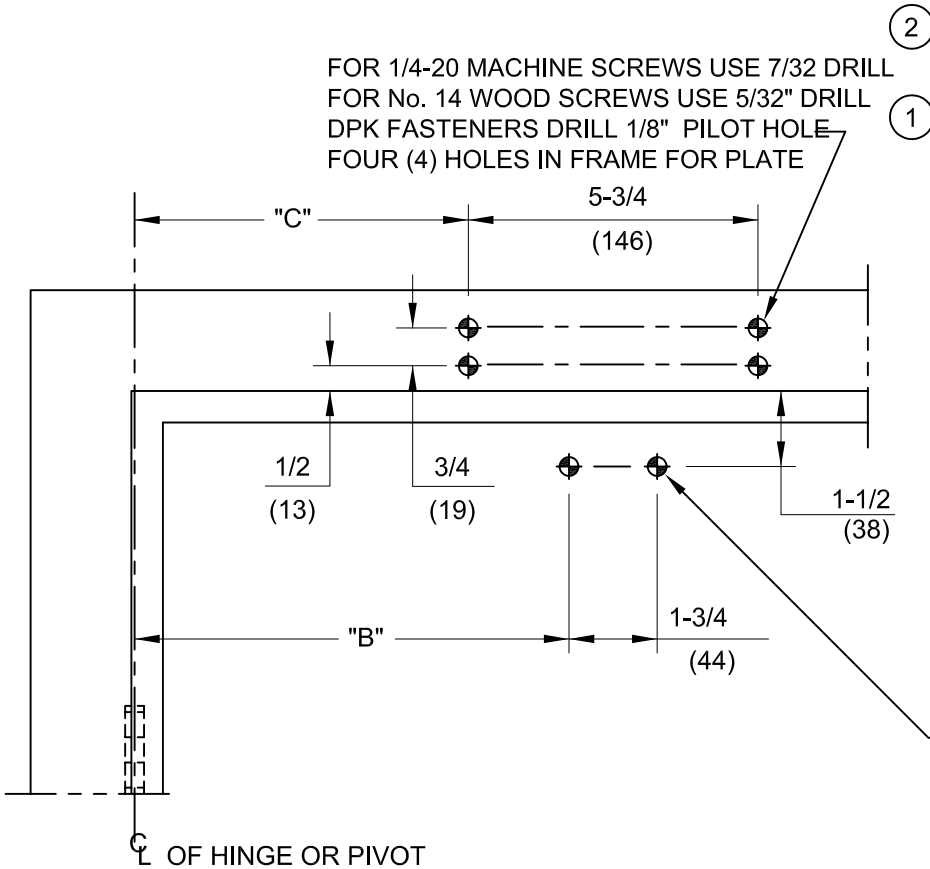
TEMPLATE No. 8900-12

**NOTES:**

1. DO NOT SCALE DRAWING.
2. LEFT HAND DOOR SHOWN.
3. DIMENSIONS ARE IN INCHES/(MM).
4. CAUTION: SEX NUTS ARE REQUIRED FOR ATTACHMENT OF COMPONENTS TO UNREINFORCED DOORS AND TO WOOD OR PLASTIC FACED COMPOSITE TYPE FIRE DOORS, UNLESS AN ALTERNATIVE METHOD IS IDENTIFIED IN THE INDIVIDUAL DOOR MANUFACTURER'S LISTINGS.
5. SEE CATALOG FOR REVEAL AND HOLD OPEN RANGE INFORMATION.

No.	REVISIONS	DATE
1	CHANGE DRILL FROM #7 TO 7/32 & UPDATE DESCRIPTION	6/25/03
2	ADDED DPK FASTENERS	6/21/05

ANGLE OF OPENING	DIM. "B" ARM SHOE	DIM. "C" PLATE
TO 100°	$\frac{12-7/8}{(327)}$	$\frac{10-7/8}{(276)}$
OVER 100°	$\frac{8-5/8}{(219)}$	$\frac{6-5/8}{(168)}$



FOR 1/4-20 MACHINE SCREWS USE 7/32 DRILL  
 FOR No. 14 WOOD SCREWS USE 5/32" DRILL  
 DPK FASTENERS DRILL 1/8" PILOT HOLE  
 FOR SEX NUTS USE 3/8" DRILL  
 TWO (2) HOLES IN DOOR FOR ARM SHOE

DOOR CLOSER MODELS: 8916, 8956 FHJ  
 TOP JAMB INSTALLATION (PUSH SIDE MOUNT)  
 WITH PLATE BP89



DORMA Architectural Hardware  
 REAMSTOWN, PENNSYLVANIA 17567  
 TEMPLATE No. 8900-14

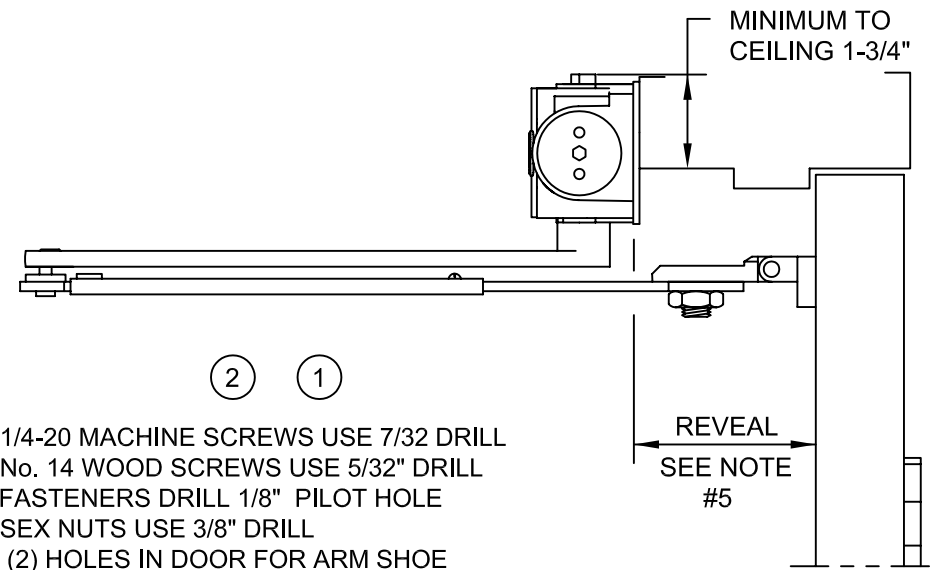
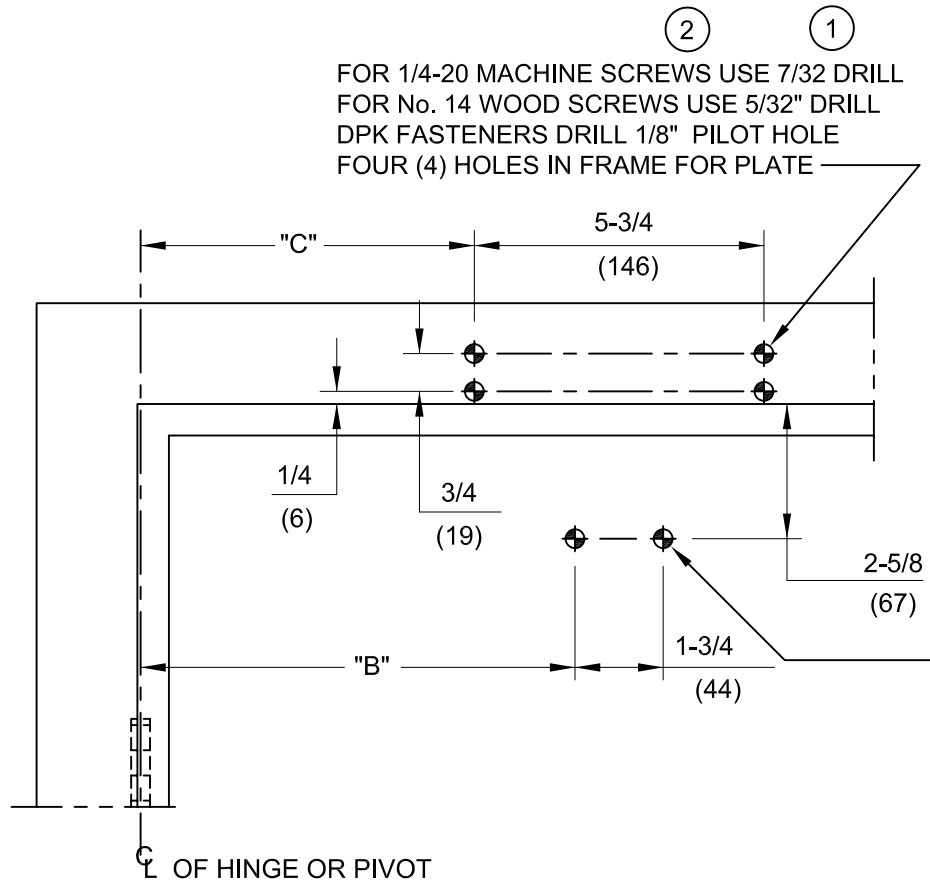


**NOTES:**

1. DO NOT SCALE DRAWING.
2. LEFT HAND DOOR SHOWN.
3. DIMENSIONS ARE IN INCHES/(MM).
4. CAUTION: SEX NUTS ARE REQUIRED FOR ATTACHMENT OF COMPONENTS TO UNREINFORCED DOORS AND TO WOOD OR PLASTIC FACED COMPOSITE TYPE FIRE DOORS, UNLESS AN ALTERNATIVE METHOD IS IDENTIFIED IN THE INDIVIDUAL DOOR MANUFACTURER'S LISTINGS.
5. SEE CATALOG FOR REVEAL A D HOLD OPEN RANGE INFORMATION.

No.	REVISIONS	DATE
1	CHANGE DRILL FROM #7 TO 7/32 & UPDATE DESCRIPTION	6/25/03
2	ADDED DPK FASTENERS	6/21/05

ANGLE OF OPENING	DIM. "B" ARM SHOE	DIM. "C" PLATE
TO 100°	$\frac{12-7/8}{(327)}$	$\frac{10-7/8}{(276)}$
OVER 100°	$\frac{8-5/8}{(219)}$	$\frac{6-5/8}{(168)}$



DOOR CLOSER MODELS: 8916, 8956 FHJ  
 TOP JAMB INSTALLATION (PUSH SIDE MOUNT)  
 WITH PLATE BP89 DROP

①



DORMA Architectural Hardware

REAMSTOWN, PENNSYLVANIA 17567

TEMPLATE No. 8900-15 ②