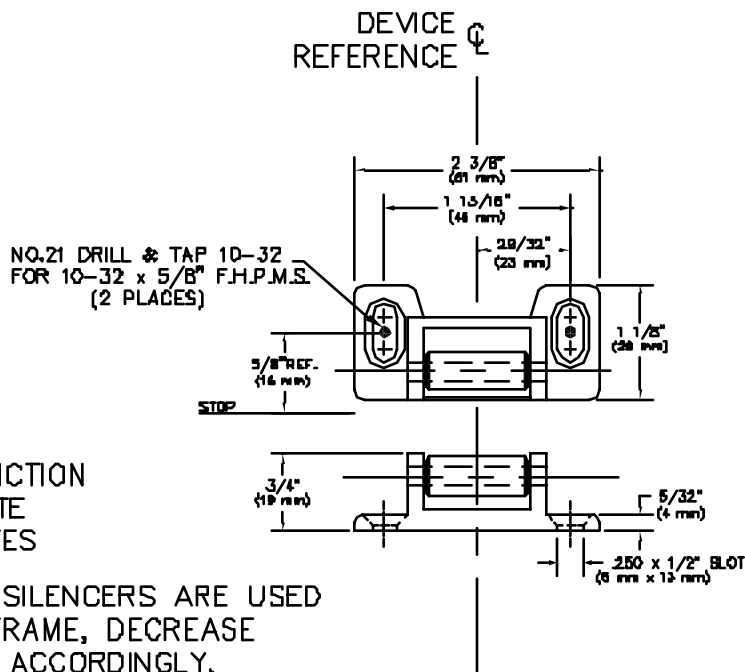
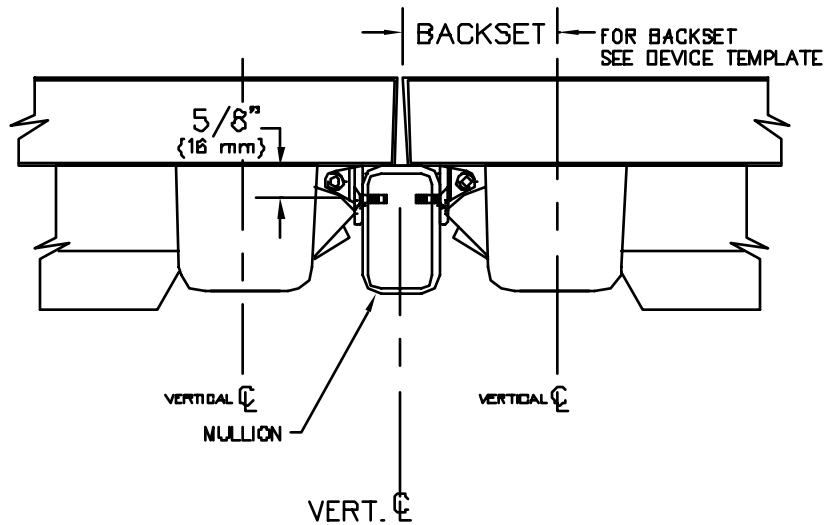
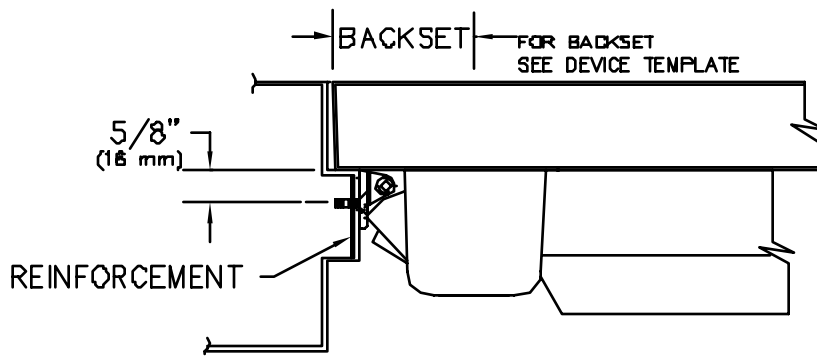


LHRB SHOWN
RHRB OPPOSITE



FOR DEVICE FUNCTION
SEE APPROPRIATE
DEVICE TEMPLATES

NOTE: IF DOOR SILENCERS ARE USED
ON THE DOOR FRAME, DECREASE
REF. DIMENSION ACCORDINGLY.

NOT TO SCALE

REV. No. 1

REVISION: ADD NEW BORDER

DATE: 4-25-00



NO. 486 STRIKE
WITH 4300, 5300, 6300, 8300 or 9300 RIM DEVICE

TEMPLATE NUMBER
T-0102①