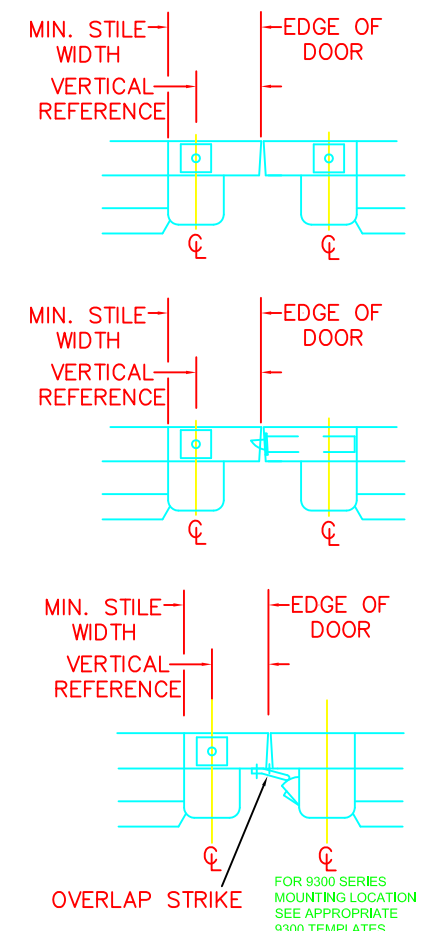
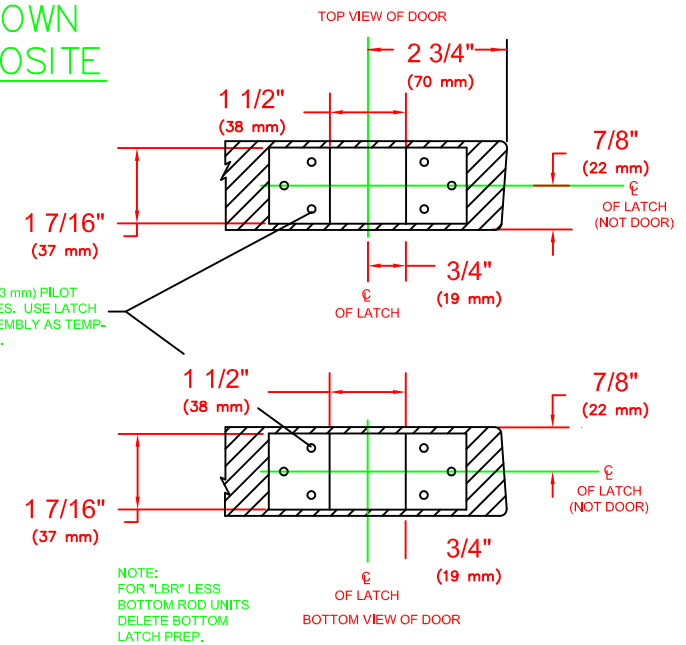
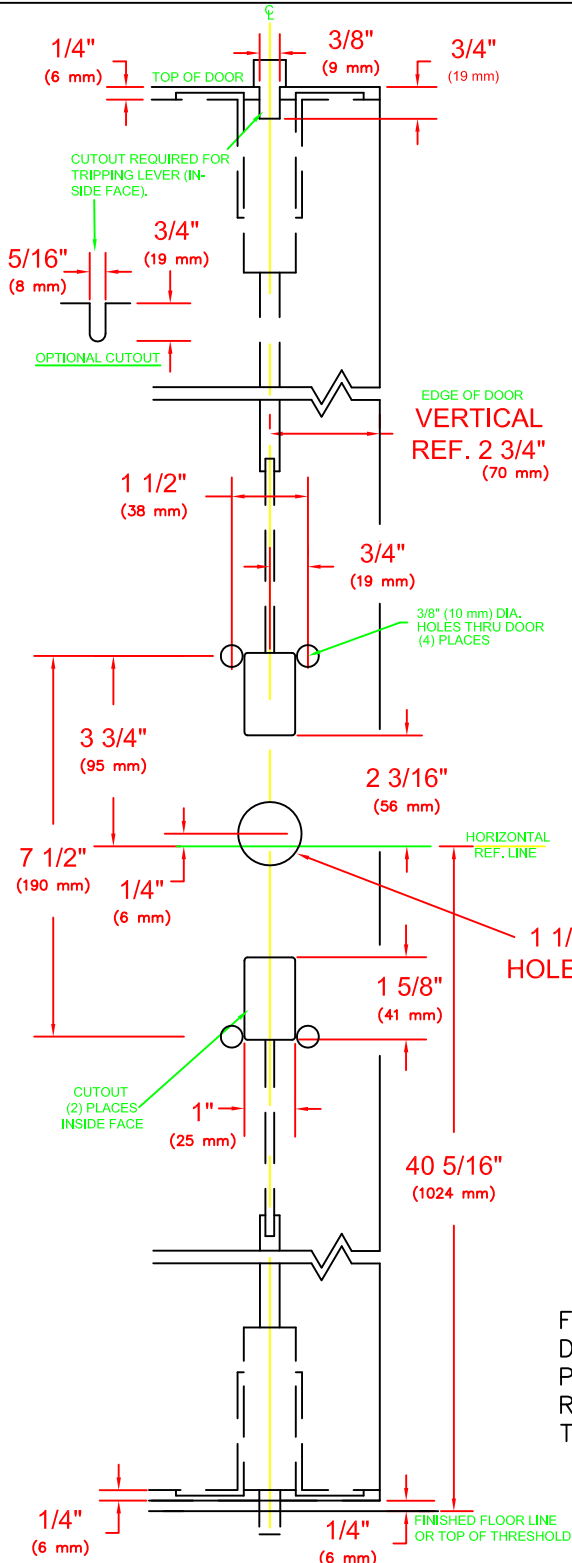


RHR SHOWN
LHR OPPOSITE




FOR LESS BOTTOM ROD (LBR) DEVICES, DELETE BOTTOM LATCH PREP. POPPER REQUIRED ON FIRE RATED DEVICE, SEE TEMPLATE T-4012.

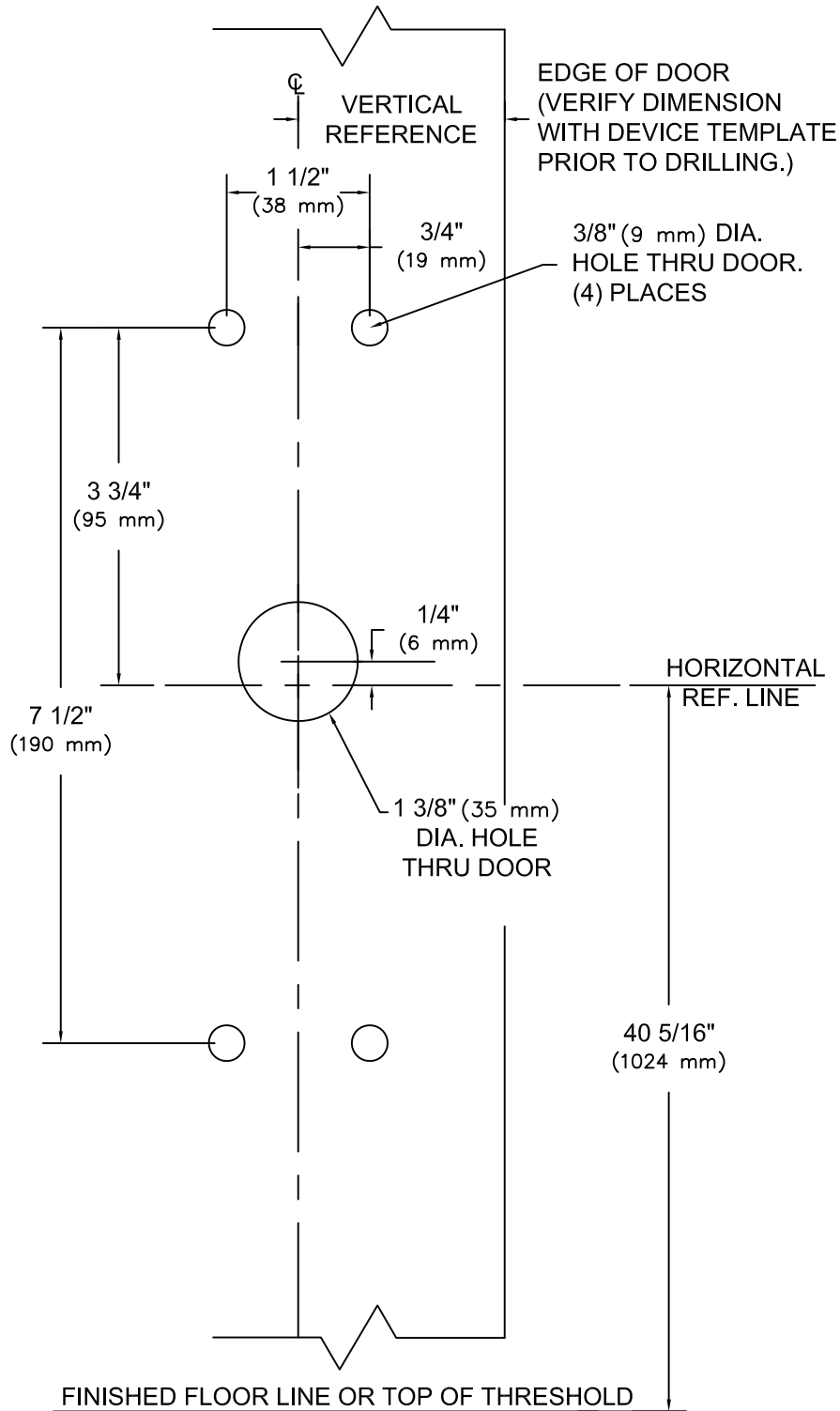
NOTES:

1. SEE T-9118WD FOR ROUTING INSTRUCTIONS.
2. SEE ADDITIONAL TRIM TEMPLATE WHEN REQUIRED.
3. SEE ADDITIONAL TEMPLATES FOR FIRE CHANNEL EDGE PREP.
3. DEVICE WILL COVER STANDARD SDI CUTOUT.

| VERTICAL REFERENCE | MINIMUM STILE WIDTH |
|--------------------|---------------------|
| 2 3/4" (70 mm) | 4 3/16" (106 mm) |


| | | |
|--|---|---|
| REV. No. 3 | REVISION: CHANGE DEMENSION | DATE: 1-27-2014 |
|  | <p>9100 & F9100 x Y*03R VERTICAL ROD EXIT DEVICE (Wood Door)</p> <p>Note; * Denotes all Lever Design Styles</p> | <p>TEMPLATE NUMBER T-9113WD ③</p> |

RHR SHOWN
LHR OPPOSITE



NOTES:

1. SEE MASTER SHEET #T-0001 FOR SUGGESTED DOOR REINFORCEMENT.
2. SEE ADDITIONAL DEVICE TEMPLATE WHEN REQUIRED.
3. TRIM WILL COVER STANDARD SDI CUTOUT.

| | | |
|---|--|--|
| REV. No. 6 | REVISION: Lever Style Notes | DATE: 1-16-14 |
|  | <p>Y003, Y*03R TRIM</p> <p>Note; * Denotes all Lever Design Styles</p> | <p>TEMPLATE NUMBER</p> <p>T-9003 ©</p> |