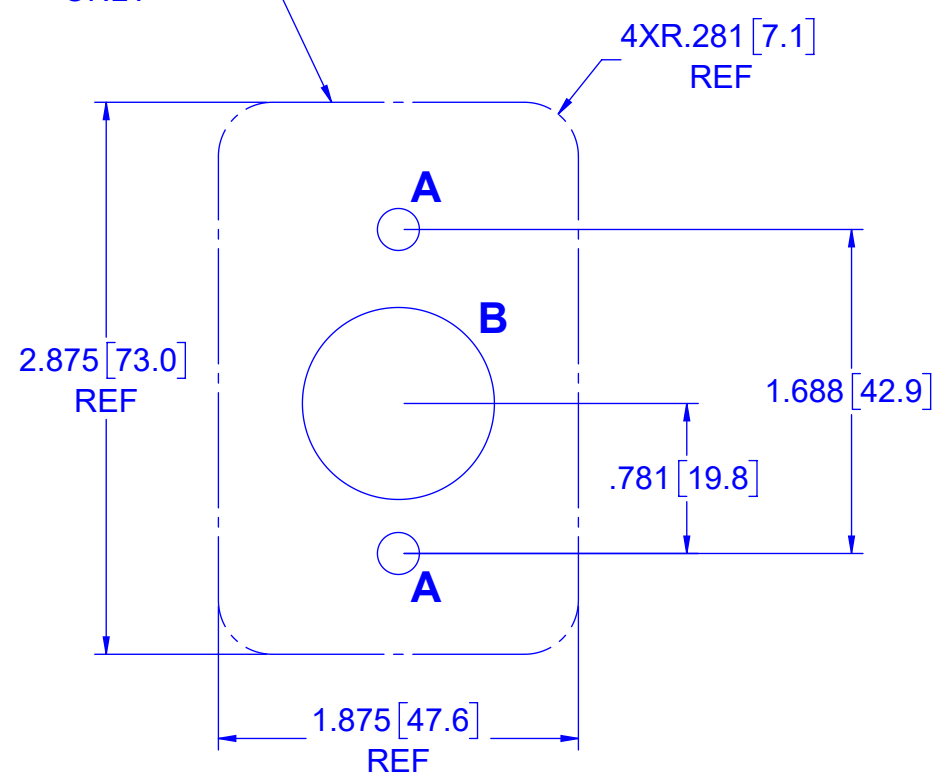


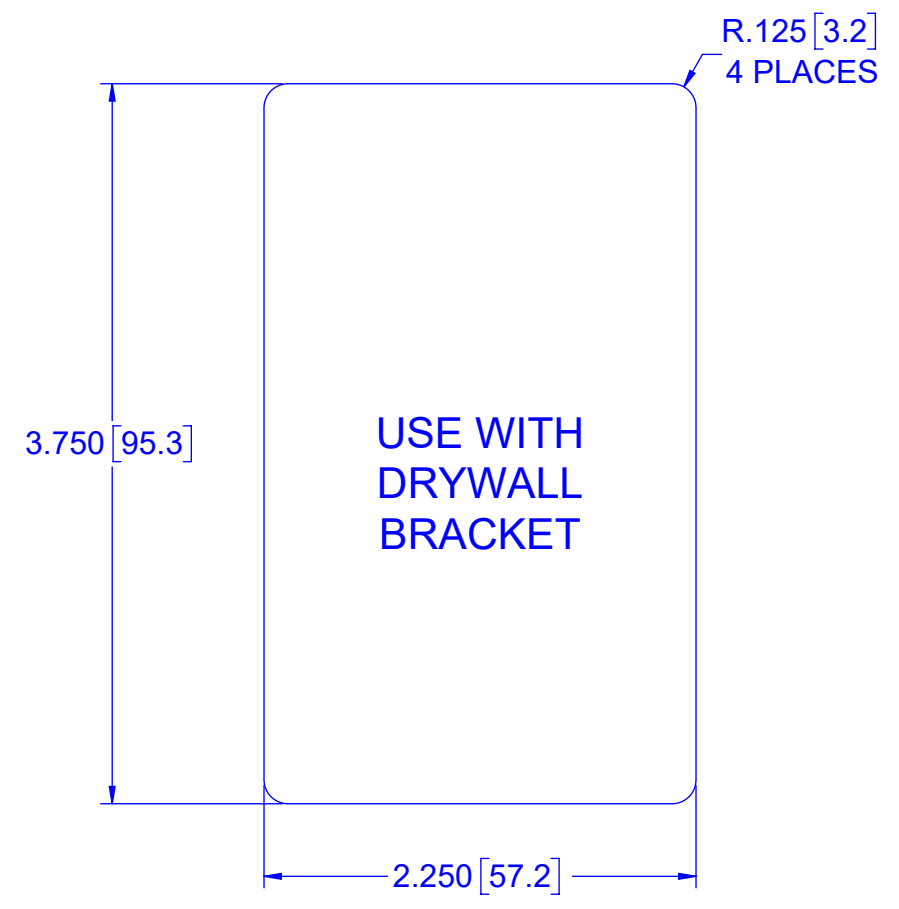


2023-08-25

READER
CONTOUR FOR
REFERENCE
ONLY



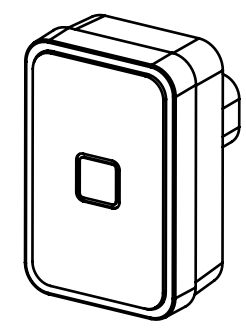
SURFACE MOUNT



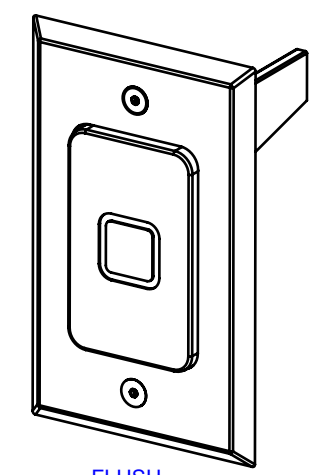
FLUSH MOUNT

DO NOT REPRODUCE
CONTACT CUSTOMER SUPPORT
1-800-906-4526

HOLE ID	DIM		COMMENTS INCH [mm]
	INCH	[mm]	
A	INSTALLATION WITH DRYWALL INSERT		
	Ø 7/32	Ø 5.6	▽ 1-1/2 [38.1]
	INSTALLATION WITH METAL SCREW		
B	Ø 9/64	Ø 3.6	▽ 1/2 [12.7]
	Ø 1	Ø 25.4	-



SURFACE MOUNT



FLUSH MOUNT

WARNING

- Always validate that you have selected the correct template for specific lock model being installed. [The same lock model can be offered with different locking device options.]
- Always validate after printing to confirm the dimensions listed on the drawing have printed on a 1:1 scale.
- If you have any questions, please contact your local sales representative or authorized reseller.

DRAWN BY / DESSINE PAR: K.PRANJIC 2023-08-07	YYYY-MM-DD 2023-08-07		dormakaba Canada Inc. 7301, boul. Décarie Montréal, QC, Canada, H4P 2G7
APPROVED BY / APPROUVÉ PAR: C.DOUCET 2023-08-07	YYYY-MM-DD 2023-08-07		DRILLING TEMPLATE SURFACE AND FLUSH MOUNT
www.dormakaba.com		DWG NO / NO. DESSIN DT-515142-1 ECN NO / NCI NO. CN04483	
UNE VERSION FRANCAISE DE CE DOCUMENT EST DISPONIBLE SUR DEMANDE.		SHEET / FEUILLE 1 / 1 REVISION 1	2023-08-25 11:36:40 AM