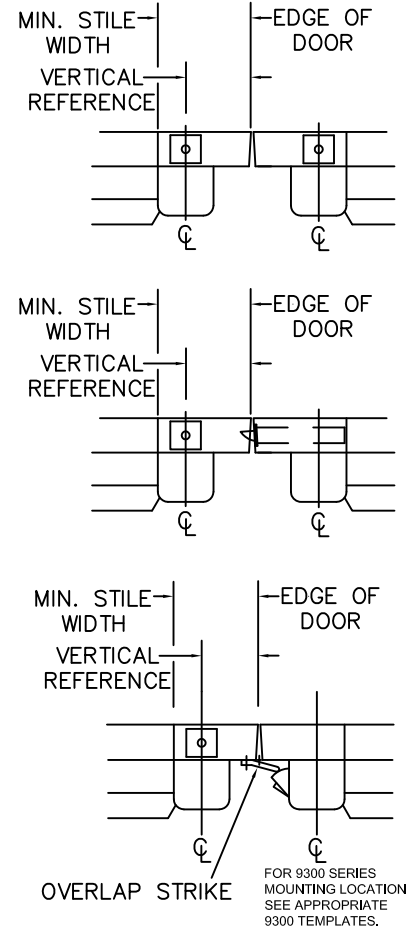
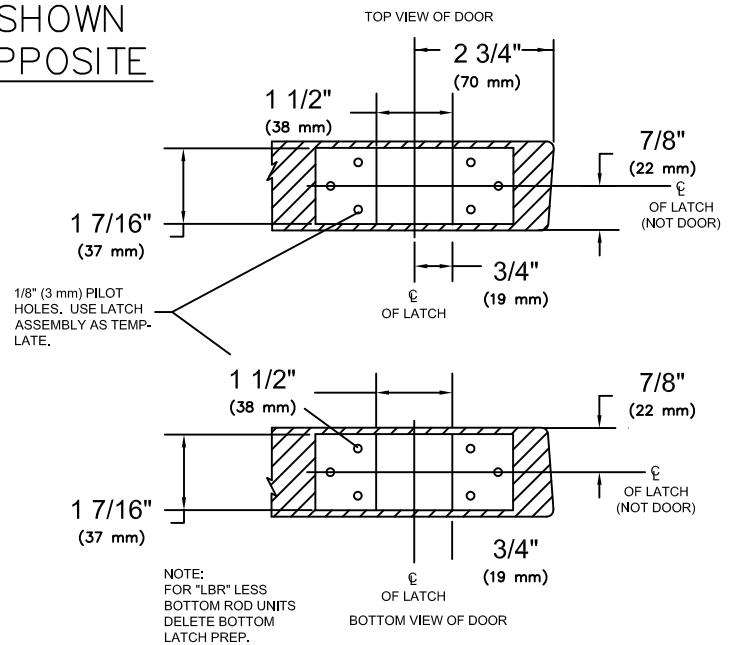
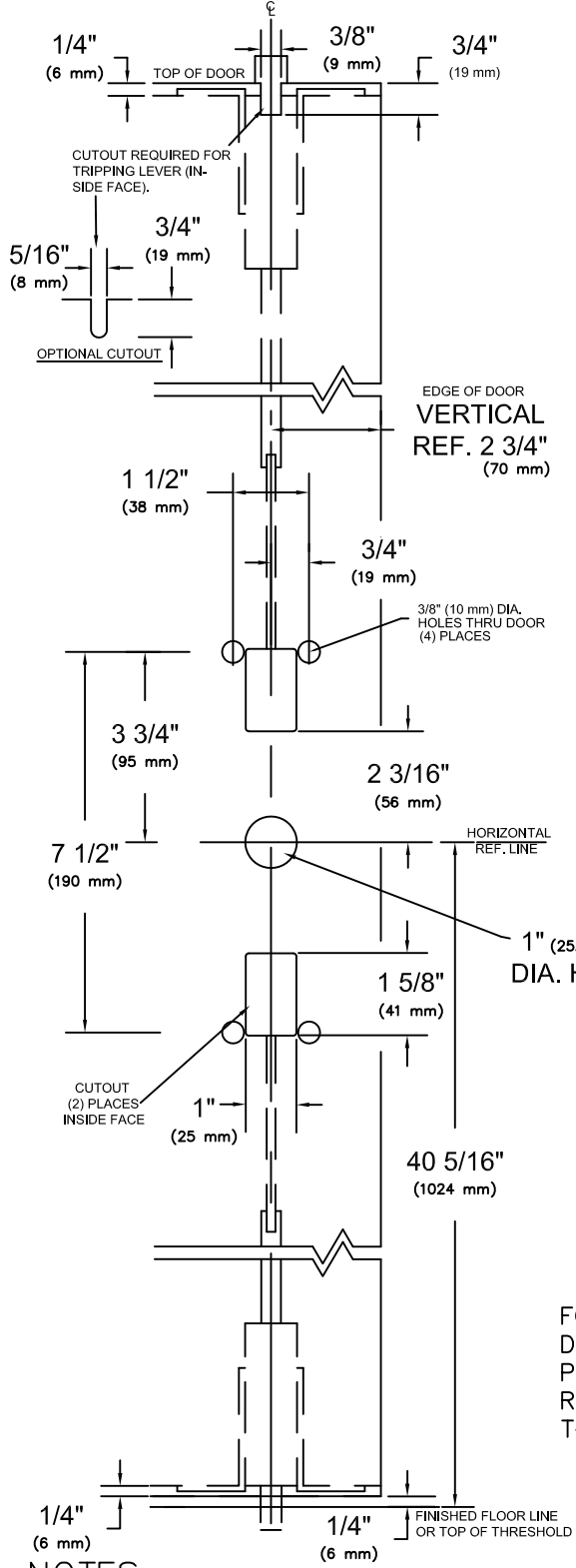


RHR SHOWN LHR OPPOSITE




FOR LESS BOTTOM ROD (LBR) DEVICES, DELETE BOTTOM LATCH PREP. POPPER REQUIRED ON FIRE RATED DEVICE, SEE TEMPLATE T-4012.

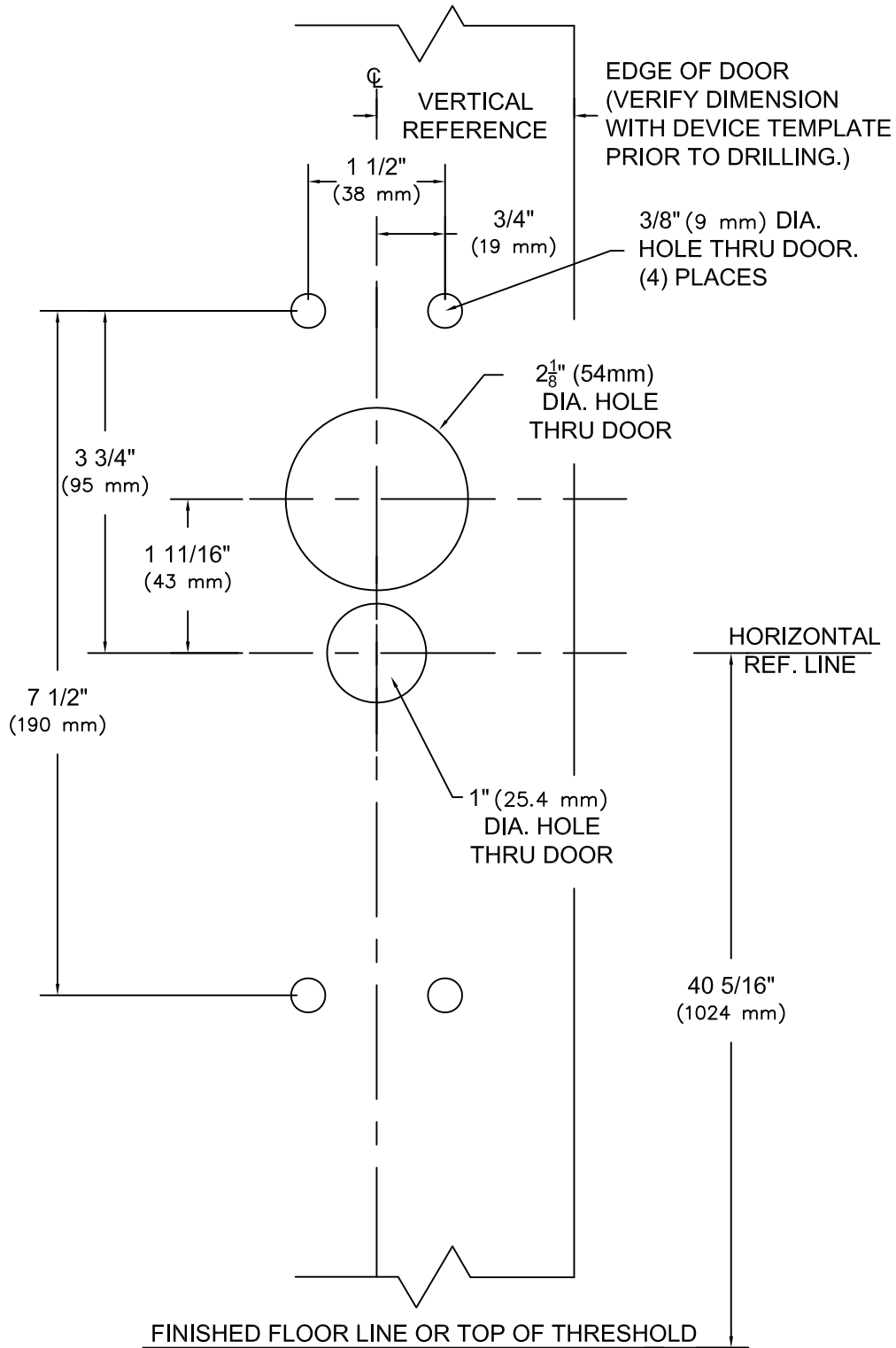
NOTES:

1. SEE T-9118WD FOR ROUTING INSTRUCTIONS.
2. SEE ADDITIONAL TRIM TEMPLATE WHEN REQUIRED.
3. SEE ADDITIONAL TEMPLATES FOR FIRE CHANNEL EDGE PREP.
3. DEVICE WILL COVER STANDARD SDI CUTOUT.

VERTICAL REFERENCE	MINIMUM STILE WIDTH
2 3/4" (70 mm)	4 3/16" (106 mm)

REV. No. 4	REVISION: Lever Style Notes	DATE: 1-27-2014
	9100 & F9100 x Y*08 /08C, Y*09 /09C, Y*23	TEMPLATE NUMBER
	Note; * Denotes all Lever Design Styles	T-9116WD
	VERTICAL ROD EXIT DEVICE (WOOD DOOR)	(4)

RHR SHOWN
LHR OPPOSITE



NOTES:

FINISHED FLOOR LINE OR TOP OF THRESHOLD

1. SEE MASTER SHEET #T-0001 FOR SUGGESTED DOOR REINFORCEMENT.
2. SEE ADDITIONAL DEVICE TEMPLATE WHEN REQUIRED.
3. TRIM WILL COVER STANDARD SDI CUTOUT.

REV. No. 5

REVISION: Lever Style Notes

DATE: 1-16-2014



Y*08, Y*08C, Y*09, OR Y*09C Trim

Note; * Denotes all Lever Design Styles

TEMPLATE NUMBER

T-9007 ⑤