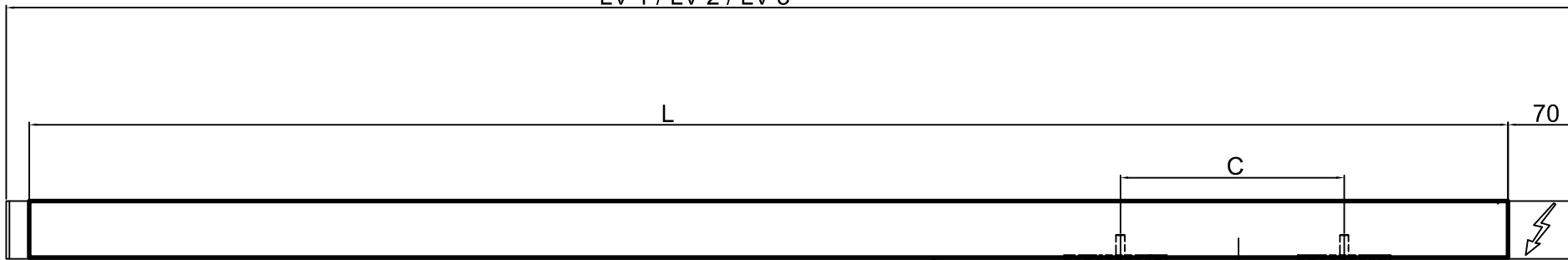
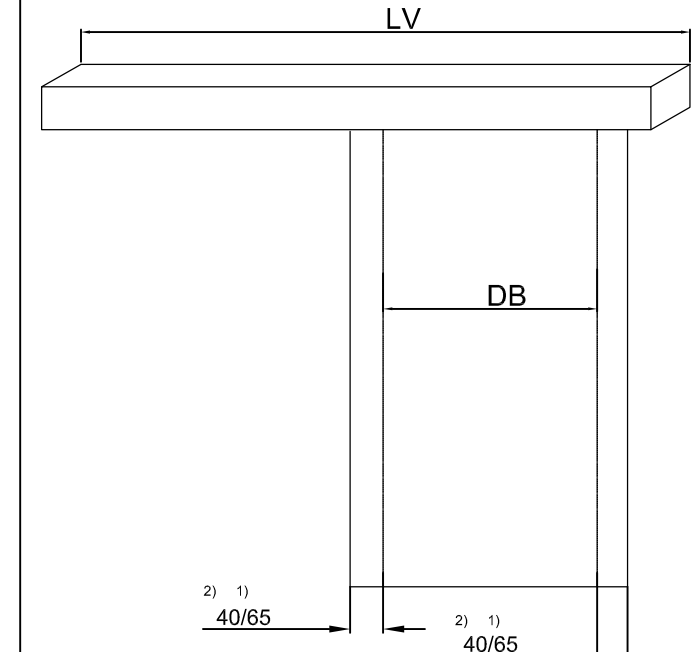
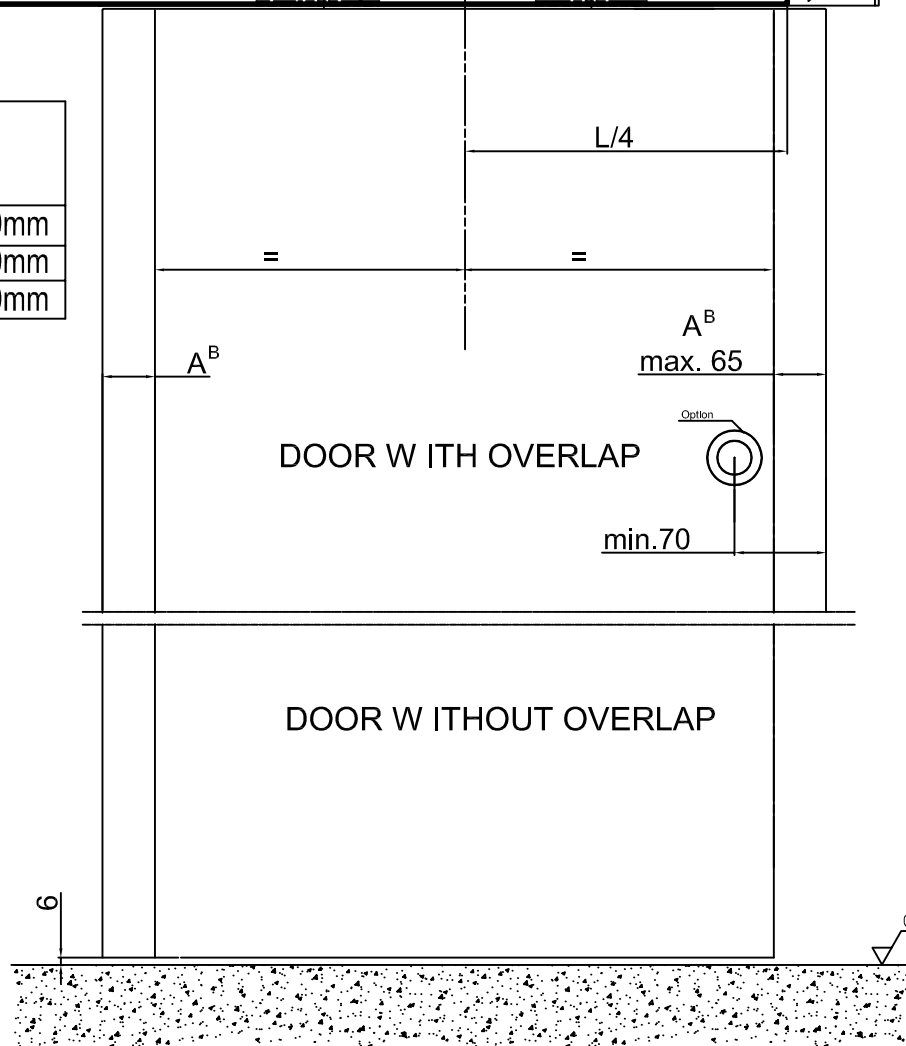


LV 1 / LV 2 / LV 3



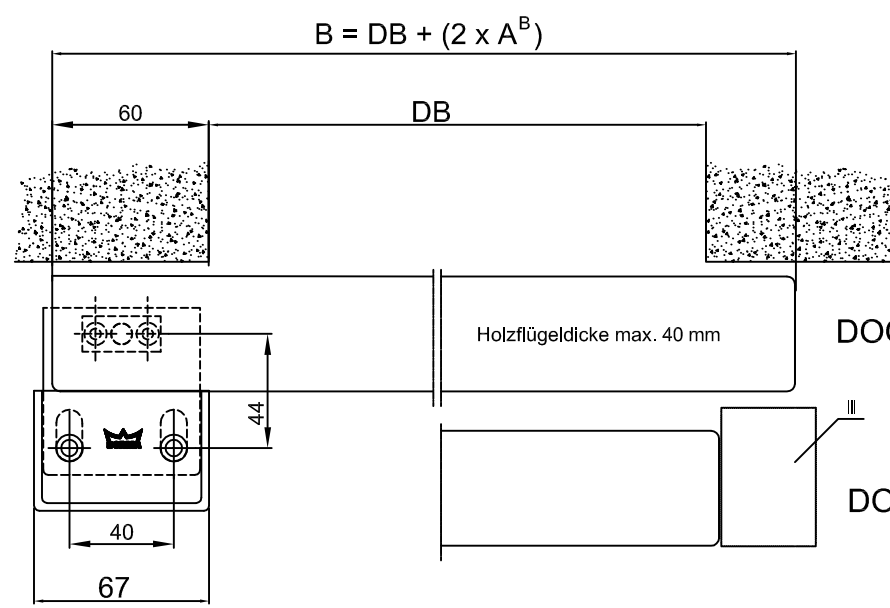
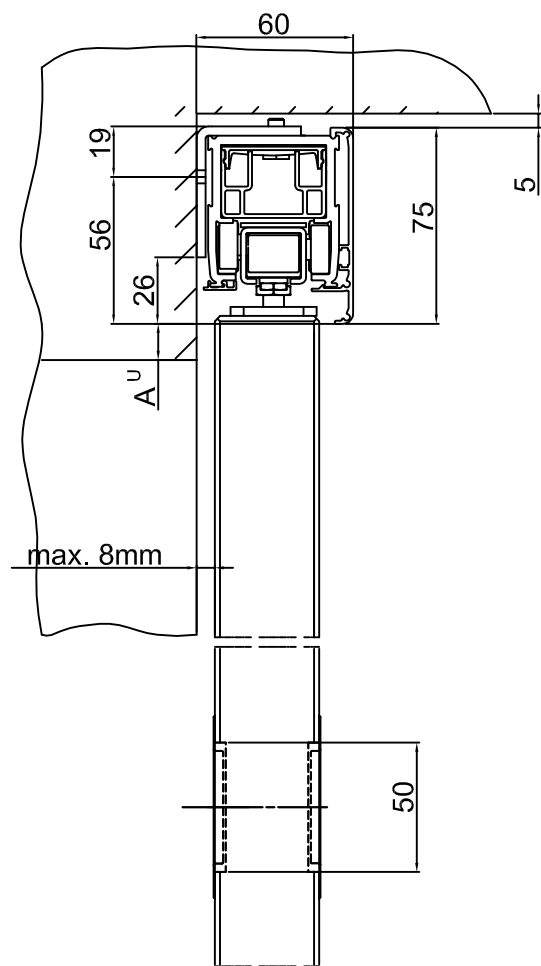
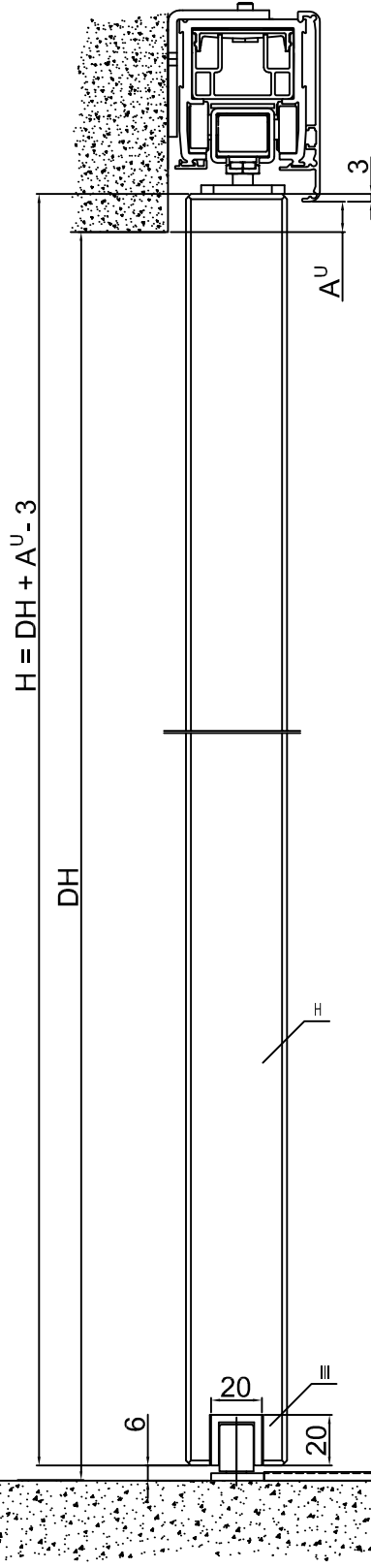
CS80	DB min.	LV	L/4	C	L
Magneo					
Set 875	700mm	LV1 1840mm	437,5mm	575mm	1750mm
Set 1000	835mm	LV2 2090mm	500 mm	700mm	2000mm
Set 1125	945mm	LV3 2340mm	562,5mm	825mm	2250mm



CS 80 Magneo wooden leaf

1 - fluegelig 1 - leaf	1 - fluegelig 1 - leaf
Set 875 DB 700 - 810 / 830	Auf Wand Montage / On Wall Mounting Set 875 LV 1 = 1840 mm
Set 1000 DB 835 - 935 / 960	Set 1000 LV 2 = 2090 mm
Set 1125 DB 945 - 1060/1085	Set 1125 LV 2 = 2340 mm
Gewicht / weight	In Wand Montage / In Wall Mounting
Set 875 20 kg - 80 kg	Set 875 LV 1 = 1870 mm
Set 1000 20 kg - 80 kg	Set 1000 LV 2 = 2120 mm
Set 1125 20 kg - 80 kg	Set 1125 LV 3 = 2370 mm

H	Tuerfluegelhoehe	door panel height
B	Tuerfluegelbreite	door panel width
I	Griffmuschel	Recessed door grip
II	Bodergleiter	Floor guide
III	Anschlag bauseits	Profile on side
OFF	Oberkante Fertigfussboden	finished floor Level FFL
DB	Durchgangsbreite	passage width
LV	Anlagenaussenmass	total width
DH	Lichte Durchgangshoehe	passage height
F	Fahrtweg	Driving path
C	Mittenabstand Aufhaengepunkte	Centre to centre distance fixing points
L	Antriebslaenge	Operator length
A ^B	Tuerfluegelueberstand	Door overlap
A ^U	Tuerfluegelueberstand vertikal	Door overlap vertical



rechts wie gezeichnet right-hand execution as per drawing
links spiegelbildlich left-hand execution mirror image

DOOR WITH OVERLAP

DOOR WITHOUT OVERLAP