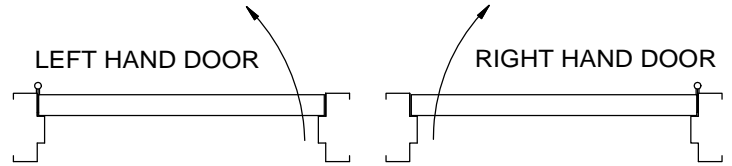
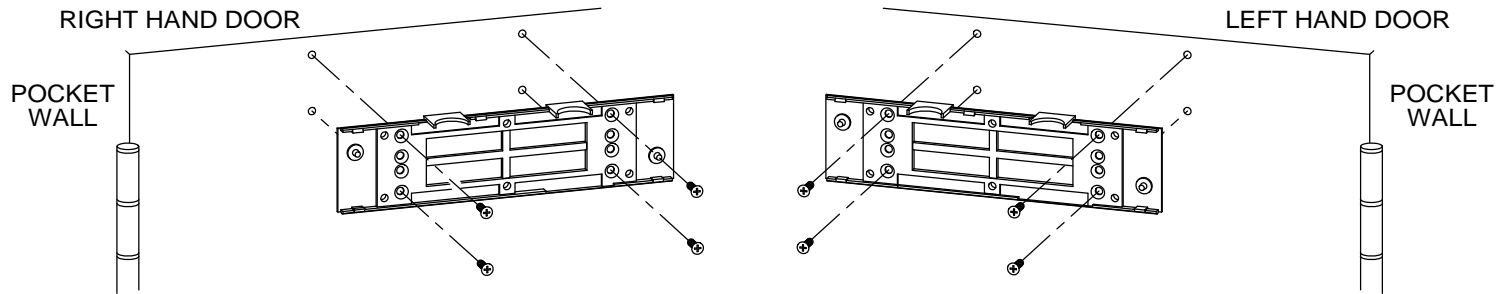
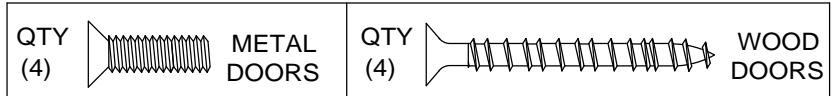


1 (REFERENCE UNIT CARTON LABEL FOR ACCESSORIES AND OPTIONS SUPPLIED)

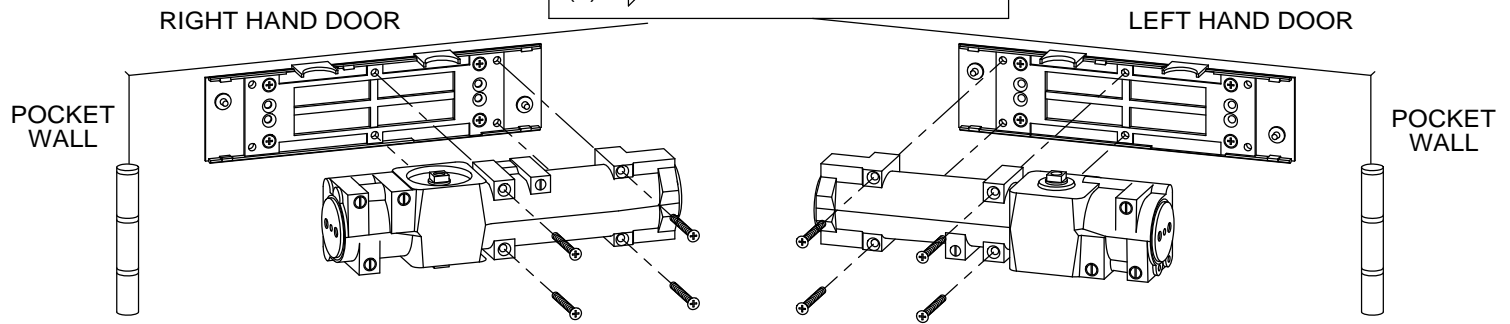
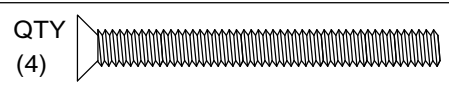
Determine hand of door and prepare door and wall for fasteners according to template 08280112.



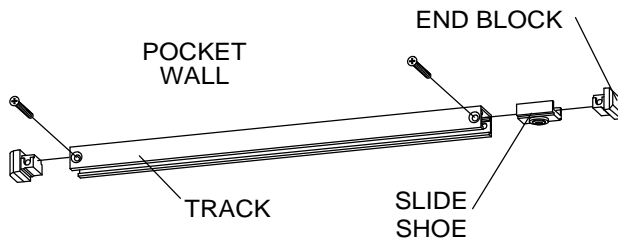
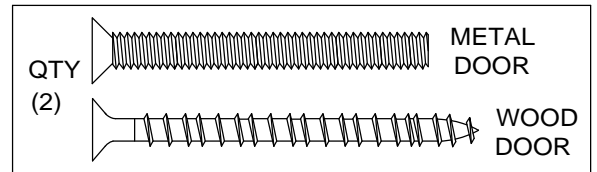
2 Attach mounting plate to door.



3 Attach closer to mounting plate.



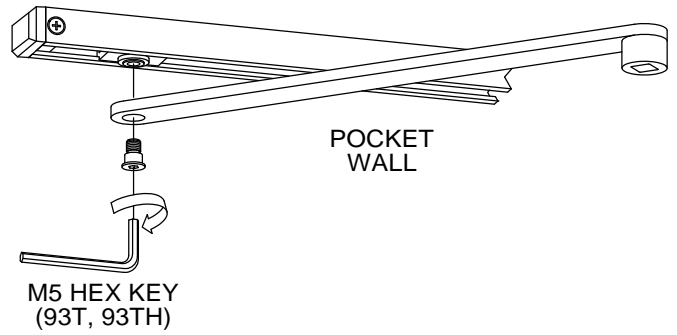
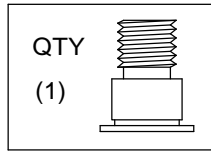
4 Attach track to wall.
Insert slide shoe and end blocks into track. Attach track to wall.



5

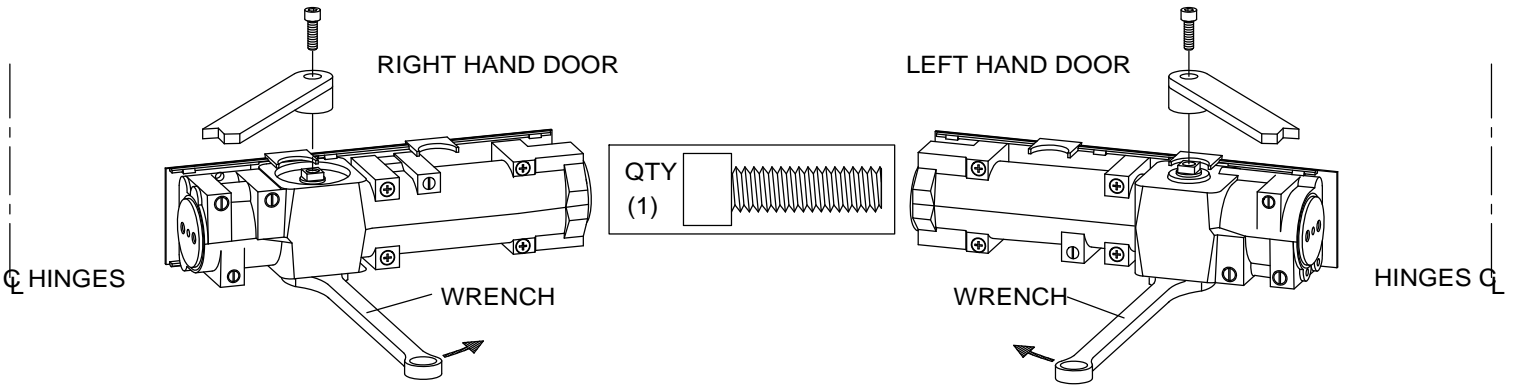
Attach arm to slide shoe.

Align hole in arm with slide shoe in track. Insert screw and tighten securely. Install track cover.



6

With door closed, place wrench on bottom pinion of closer. Rotate wrench slightly toward latch end of door. Attach main arm to top pinion of closer. Tighten securely with screw provided.

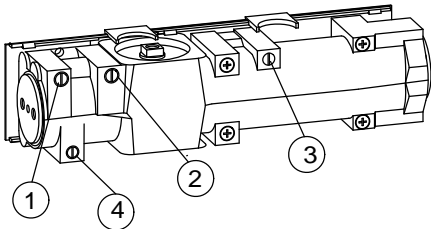
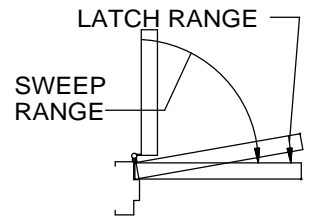


7

Adjust sweep, latch and backcheck.

DECREASE
INCREASE

- ① - SWEEP speed from approx. 70° to 0°.
- ② - LATCH speed from approx. 7° to 0°.
- ④ - DELAY speed from approx. 180° to 70°.

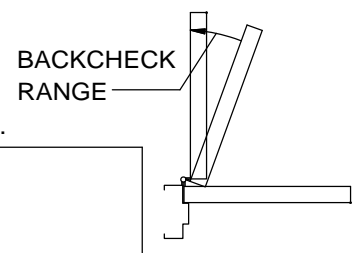


BACKCHECK (INTENSITY)

INCREASE
DECREASE

- ③ - BACKCHECK cushion effect.

CAUTION: DO NOT CLOSE VALVE COMPLETELY.



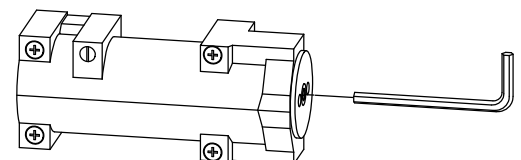
CAUTION: DO NOT REMOVE VALVES.

8

Adjust spring tension to ensure proper closing and latching of door.

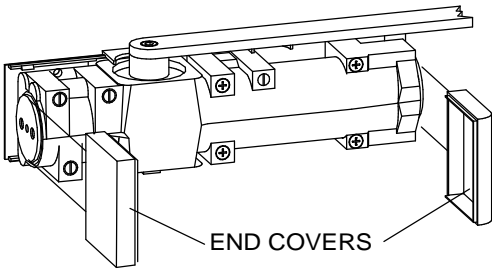
MAXIMUM NUMBER OF TURNS CLOCKWISE - 6

INCREASE

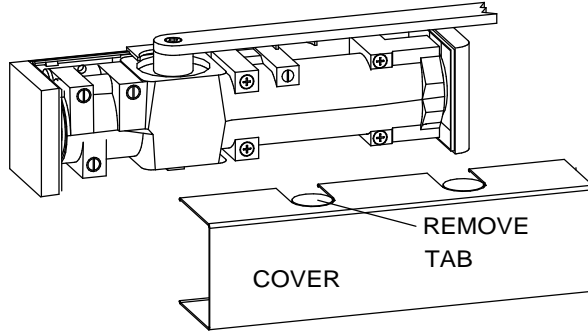


9

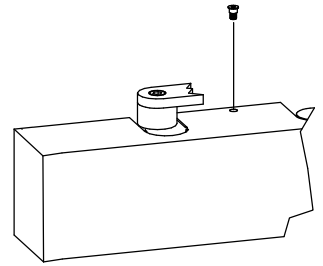
Install cover.



Slide end covers over closer body end caps.



Remove tab that aligns with arm hub. Slide cover onto plate.



Secure with locking screw.