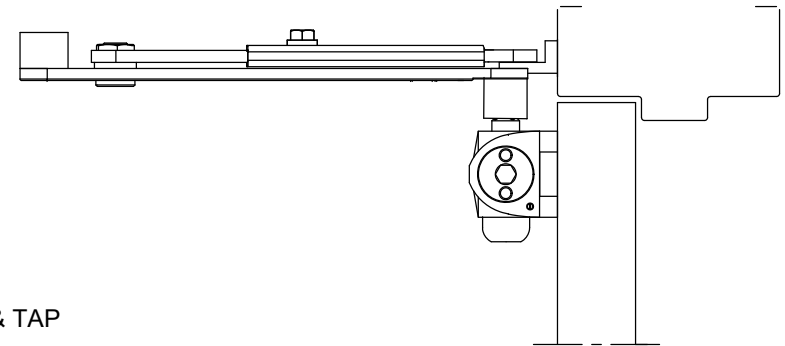
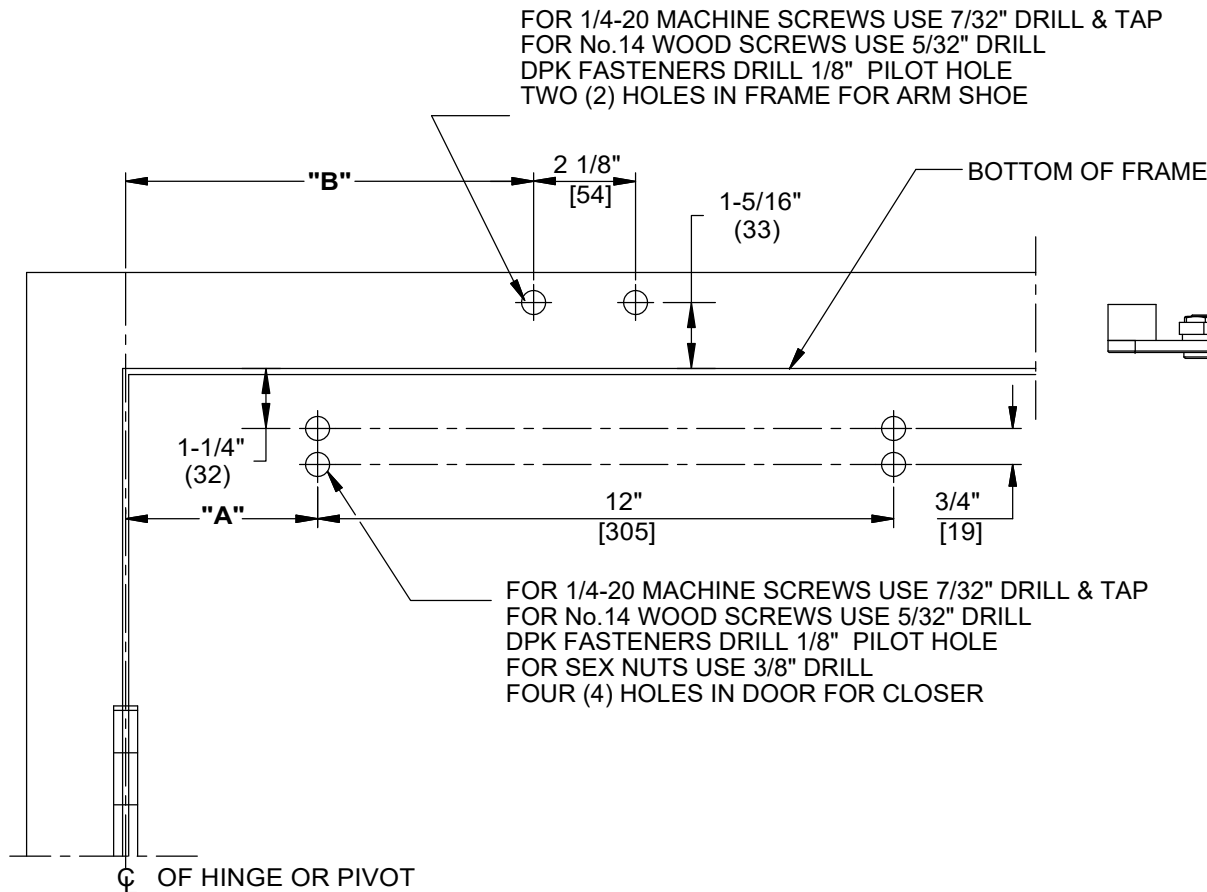


NOTES:

1. DO NOT SCALE DRAWING.
2. DIMENSIONS ARE IN INCHES/(MM).
3. RIGHT HAND DOOR SHOWN.
4. CAUTION: SEX NUTS ARE REQUIRED FOR ATTACHMENT OF COMPONENTS TO UNREINFORCED DOORS AND TO WOOD OR PLASTIC FACED COMPOSITE TYPE FIRE DOORS, UNLESS AN ALTERNATIVE METHOD IS IDENTIFIED IN THE INDIVIDUAL DOOR MANUFACTURER'S LISTINGS.
5. OPTIONAL DPK FASTENERS (DPK86) FOR STEEL DOOR & FRAME ONLY.

DEGREE OF DEAD STOP	DIM. "A" CLOSER	DIM. "B" ARM SHOE
85°	8-1/8 (206)	13-7/8 (352)
90°	7-1/2 (191)	13-1/2 (343)
95°	6-11/16 (170)	13-1/4 (337)
100°	6-5/8 (168)	12-5/8 (321)
105°	6-1/8 (156)	12-1/4 (311)
110°	5-3/4 (146)	11-7/8 (302)

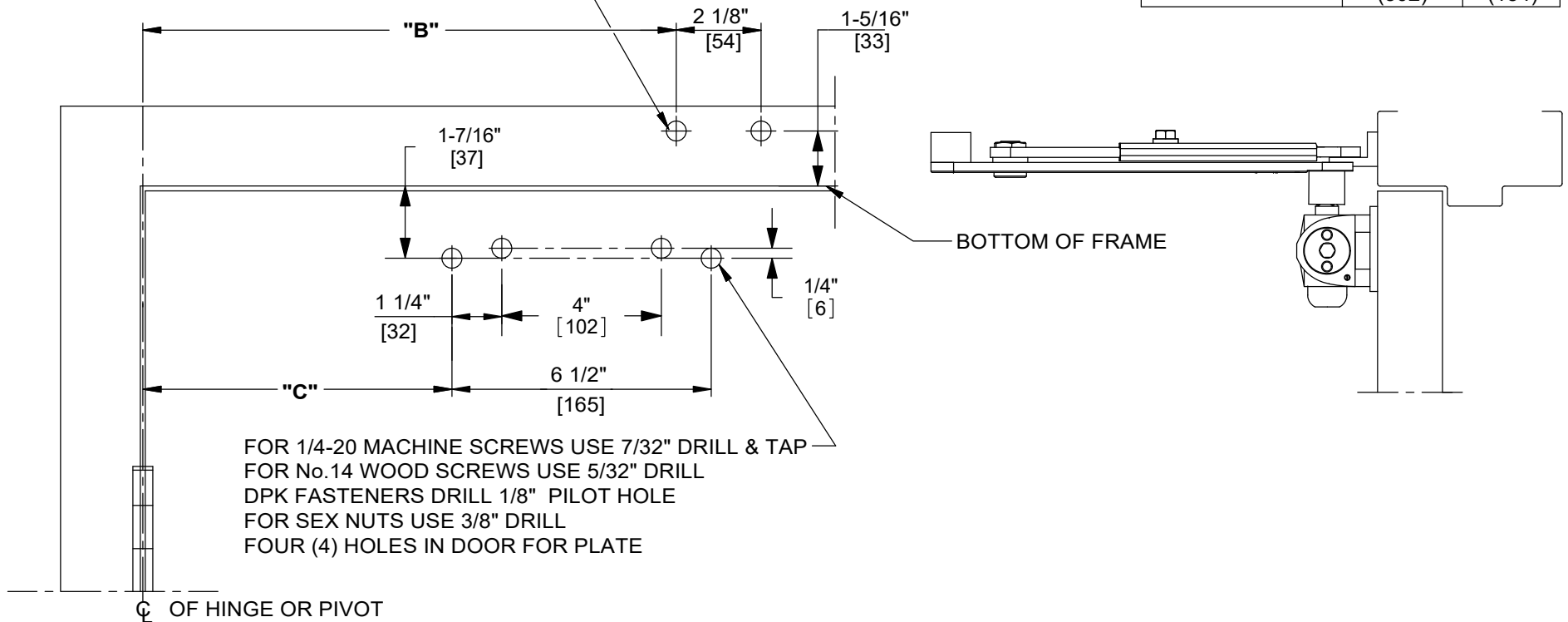


DOOR CLOSER MODELS: 8616 IS  
 REGULAR INSTALLATION (PULL SIDE MOUNT)  
 INTEGRA STOP ARM

**NOTES:**

1. DO NOT SCALE DRAWING.
2. DIMENSIONS ARE IN INCHES/(MM).
3. RIGHT HAND DOOR SHOWN.
4. CAUTION: SEX NUTS ARE REQUIRED FOR ATTACHMENT OF COMPONENTS TO UNREINFORCED DOORS AND TO WOOD OR PLASTIC FACED COMPOSITE TYPE FIRE DOORS, UNLESS AN ALTERNATIVE METHOD IS IDENTIFIED IN THE INDIVIDUAL DOOR MANUFACTURER'S LISTINGS.
5. OPTIONAL DPK FASTENERS (DPK86) FOR STEEL DOOR & FRAME ONLY.

FOR 1/4-20 MACHINE SCREWS USE 7/32" DRILL & TAP  
 FOR No.14 WOOD SCREWS USE 5/32" DRILL  
 DPK FASTENERS DRILL 1/8" PILOT HOLE  
 TWO (2) HOLES IN FRAME FOR ARM SHOE



DOOR CLOSER MODELS: 8616 IS  
 REGULAR INSTALLATION (PULL SIDE MOUNT)  
 DEAD STOP ARM  
 WITH PLATES BP86, BP86FC