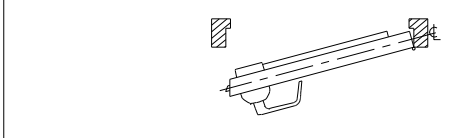
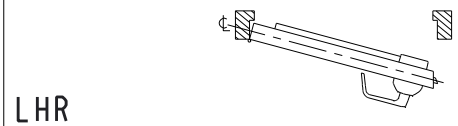


DO NOT REPRODUCE  
CONTACT CUSTOMER SUPPORT  
1-800-906-4526

- NOTES:
- FOR DIMENSIONS AND TOLERANCES REFER TO CORRESPONDING DOOR PREPARATION DRAWING 1P#.
  - FOR EXIT DEVICE AND MORTISE LOCK CUT-OUT REFER TO EXIT DEVICE MANUFACTURER INSTALLATION INSTRUCTIONS.
  - BACKSET SHOWN FOR REFERENCE ONLY, ADJUST BACKSET TO EXIT DEVICE MANUFACTURER INSTALLATION INSTRUCTIONS.
  - HOLES A: FROM THE INSIDE OF THE DOOR, DRILL HOLES (SEE TABLE)
  - SYMBOLS:
    - ∇ DEEP
    - ⊕ CENTER LINE OF DOOR
    - ∅ DIAMETER
    - ↔ NOT TO SCALE
  - GROOVE TO DO ONLY ON SOLID DOORS. TO PASS WIRES INSIDE THE DOOR FOR HOLLOW DOORS.
  - ALL DIMS INCHES [mm]

HOLE ID	DIM INCH/(mm)	∇ INCH/(mm)	COMMENTS
A	∅ 5/16 (7,95)	∇ 3/4 (19.05)	SEE NOTE #4
B	∅ 1/2 (12,7)	*	-
C	∅ 1 (25,4)	*	SEE NOTE #2
D	∅ 3/4 (19.05)	*	-
E	∅ 3/4 (19.05)	∇ 3/4 (19.05)	-
F	∅ 1/4 (6.35)	∇ 1/4 (6.35)	-
X	1/4 (6.35)	∇ 1/4 (6.35)	SEE NOTE #6

\* UNLESS OTHERWISE NOTED, DRILL HALF DOOR THICKNESS ON BOTH SIDES.

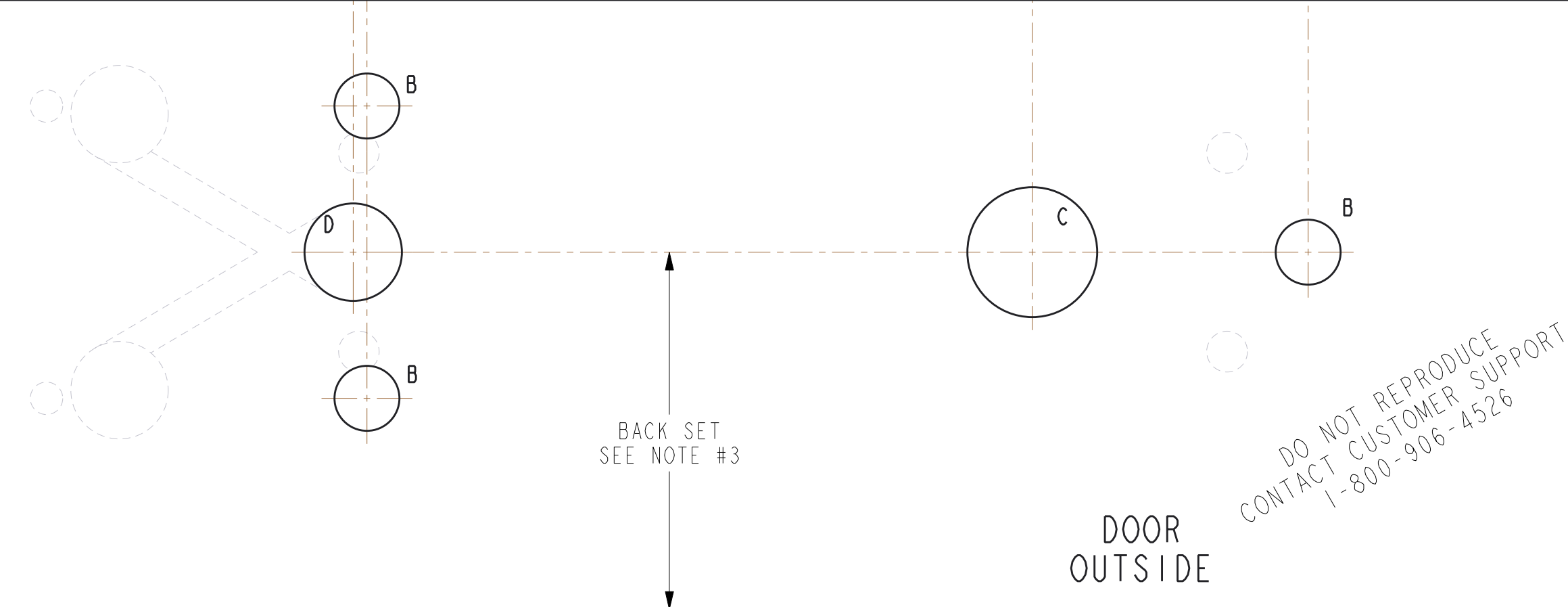


E7900 LOCK SERIES  
DRILLING TEMPLATE  
SARGENT 8710F

**dormakaba**

www.kabalodgingsupport.com

SHEET 1 OF 2	DATE 24SE2018	UNE VERSION FRANCAISE DE CE DOCUMENT EST DISPONIBLE SUR DEMANDE.	
	ECN 16871	DT-516416	REV-1



DO NOT REPRODUCE  
CONTACT CUSTOMER SUPPORT  
1-800-906-4526

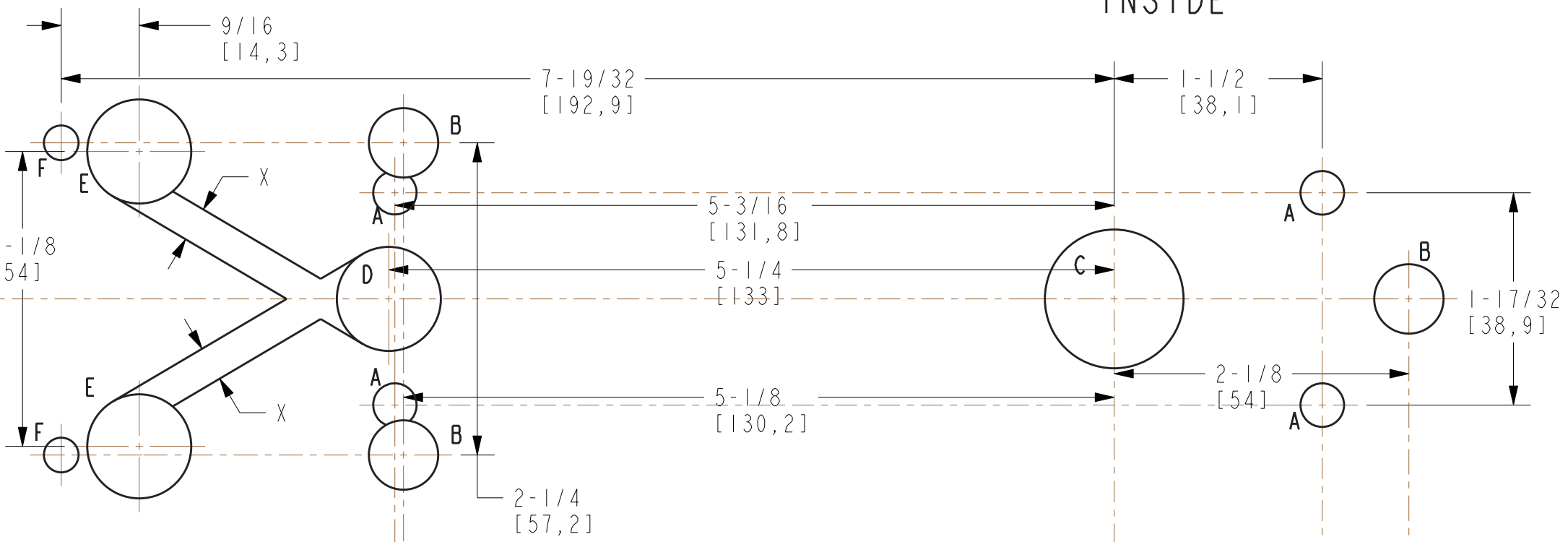
BACK SET  
SEE NOTE #3

DOOR  
OUTSIDE

LHR LOCK

DOOR  
BOTTOM

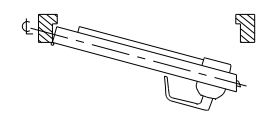
DOOR  
INSIDE



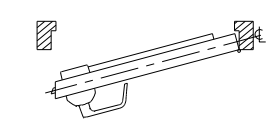
- NOTES:
- FOR DIMENSIONS AND TOLERANCES REFER TO CORRESPONDING DOOR PREPARATION DRAWING 1P#.
  - FOR EXIT DEVICE AND MORTISE LOCK CUT-OUT REFER TO EXIT DEVICE MANUFACTURER INSTALLATION INSTRUCTIONS.
  - BACKSET SHOWN FOR REFERENCE ONLY, ADJUST BACKSET TO EXIT DEVICE MANUFACTURER INSTALLATION INSTRUCTIONS.
  - HOLES A: FROM THE INSIDE OF THE DOOR, DRILL HOLES (SEE TABLE)
  - SYMBOLS:
    - ∇ DEEP
    - ⊕ CENTER LINE OF DOOR
    - ∅ DIAMETER
    - ↔ NOT TO SCALE
  - GROOVE TO DO ONLY ON SOLID DOORS. TO PASS WIRES INSIDE THE DOOR FOR HOLLOW DOORS.
  - ALL DIMS INCHES [mm]

HOLE ID	DIM INCH/(mm)	∇ INCH/(mm)	COMMENTS
A	∅ 5/16 (7,95)	∇ 3/4 (19,05)	SEE NOTE #4
B	∅ 1/2 (12,7)	*	-
C	∅ 1 (25,4)	*	SEE NOTE #2
D	∅ 3/4 (19,05)	*	-
E	∅ 3/4 (19,05)	∇ 3/4 (19,05)	-
F	∅ 1/4 (6,35)	∇ 1/4 (6,35)	-
X	1/4 (6,35)	∇ 1/4 (6,35)	SEE NOTE #6

\* UNLESS OTHERWISE NOTED, DRILL HALF DOOR THICKNESS ON BOTH SIDES.



LHR



RHR

E7900 LOCK SERIES  
DRILLING TEMPLATE  
SARGENT 8710F

**dormakaba**

www.kabalodgingsupport.com

SHEET 2 OF 2	DATE 24SE2018	UNE VERSION FRANCAISE DE CE DOCUMENT EST DISPONIBLE SUR DEMANDE.	
	ECN 16871	DT-516416	REV-1