

Thorlock Enclosure Lock



Application:

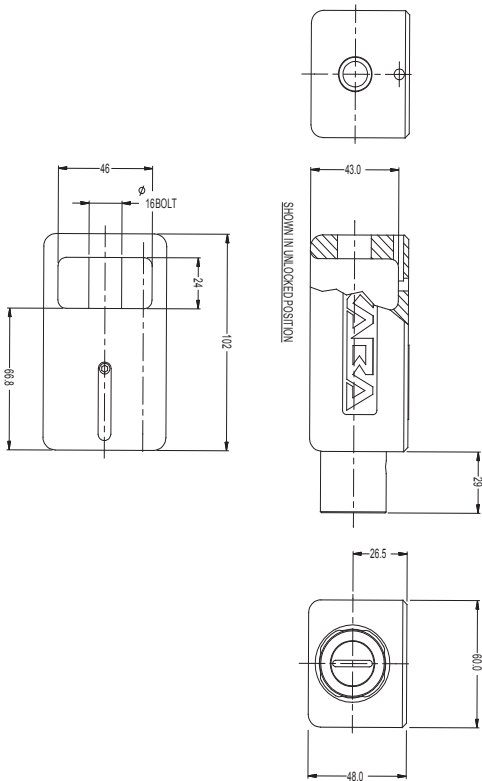
High security solution designed to deter the most determined unauthorised attack including remote sites within the utility and infrastructure sectors eliminating vulnerable padlock shackles; including inspection hatches & covers, vehicle doors and containers.

Features:

- 48mm solid stainless-steel body
- 16mm stainless steel locking bolt
- Cylinder is protected by a spinning guard Key retained when unlocked, ensures device is not left open
- LPCB approved (LPS1175 SR4) when used with approved security products
- EN 12320 Grade 5 (CEN 5)
- Category of use: Grade 1
- Durability: Grade 1
- Corrosion: Grade 3
- Security: Grade 5

Available systems:

- Kaba 20
- quattro plus
- expert & expert plus



dormakaba UK & Ireland
Lower Moor Way
Tiverton
Devon
EX16 6SS

T: +44 (0)870 000 5625
E: info.gb@dormakaba.com