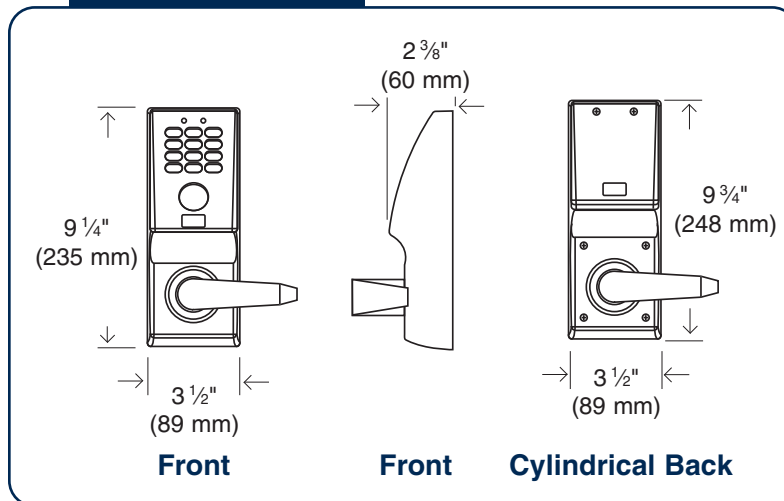




Dimensions



Application

The PowerLever self-powered electronic lock provides access through personal user IDs and PIN codes. Requiring no batteries, the lock generates its own power with every press of the lever, making it one of the most unique and versatile products in the security marketplace today.

Features

- Generates its own power; no batteries required
- Access with user IDs and PINs, or SmartKey
- Audit trail records all access attempts
- Communicates with user friendly software using Palm™ or SmartKey™ technologies
- Adapts to any size facility
- Grants entry with audible and visible indicators
- Includes programmable user scheduling feature

System Specifications

Mechanical

Construction: Heavy duty cylindrical lock; solid cast zinc; lever solid cast zinc, return to within 1/2" (13 mm) of door face

Keypad: Epoxy coated metal buttons

Finishes: • **Covers:** (1) Black powder coat (2) Satin chrome (US26D) • **Levers:** Satin chrome (US26D)

System Specifications

Electrical

Power: Generated with PowerStar® technology when handle is turned

Audit: Model 4550, 4560, 455X and 456X only: records last 23,000 transactions

Installation

Door preparation: ANSI 156.2 4000 Grade 1 **Handing:** Non-handed

Key Override/Cylinder:

- **Standard:** Conventional key-in-lever solid brass 6-pin with two nickel silver keys
- **Options:** Lock prepared for small format interchangeable (Arrow™, Best®, Falcon™) 6 or 7-pin cores (Core not supplied)

Door Thickness: 1 3/8" (35 mm) - 2" (51 mm)

Strike: 4 7/8" (124 mm) ASA strike standard or 2 3/4" (70 mm) T-strike optional for door lock only. For Cylindrical locks only.

Latch bolt: 9/16" (15 mm) throw for Cylindrical locks only. Backset: 2 3/4" (70 mm) for Cylindrical locks only.

Certification and testing

Accessibility standard: Americans with Disabilities Act (ADA)

Fire rating: Meets U.L./U.L.C. 3-hours rating

Environmental Outside Housing: -13F (-25C) to +151F (+66C)

Durability: • Model 455x ANSI/BHMA A156.3/156.25 • Model 1550/4550 ANSI/BHMA A156.2/156.25

Warranty: One year limited

Environmental Performance

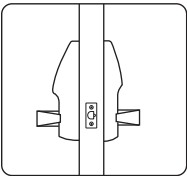
The lock may be used in both indoor and outdoor applications. Outdoor applications require use of a PowerLever Pro-Gasket™ Kit (sold separately). **Note:** For outdoor applications where the lock is unprotected from freezing rain or rain followed by freezing temperatures, a Pro-Guard™ Weather shield must be installed over the lock to prevent ice from forming between the keybuttons and the outside cover.

The lock will perform satisfactorily in the following environmental conditions:

- Humidity: 24 hour exposure at 85%, +86 degrees F (+30 degrees C); as defined in UL 2058, Sec. 23 • Operational Salt Spray: 96 hour exposure; as defined in UL 437, Sec. 12 • Rain: 1-hour exposure; as defined in UL 2058, Sec. 35
- Dust: 1-hour exposure; as defined in UL 2058, Sec. 36. Lock Case

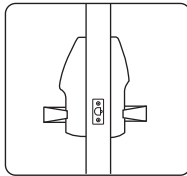
Three models to meet your security needs:

Model 1550



- Cylindrical Lock
- Combination Entry
- Key Override
- Passage
- 20 unique users
- Keypad programming

Model 4550/4560

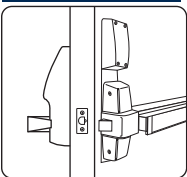


- Cylindrical Lock
- Combination Entry
- Key Override
- Passage
- Programmable schedule
- Audits 23,000 last events
- 3000 unique users

- Keypad programming
- Palm™ Pilot programming
- Computer Management System
- SmatKey programming

- * 455 = Standard PIN
- * 456 = Assigned PIN

Model 455X/456X



- Exit Device Operator
- Combination Entry
- Key Override
- Passage
- Programmable schedule
- Audits 23,000 last events
- 3000 unique users
- Keypad programming
- Palm™ Pilot programming
- Computer Management System
- SmatKey programming

Exit Device Compatibility

- 455A Von Duprin 98, 99, 98-F, 99-F
- 455B Von Duprin 22, 22-F
- 455C Sargent 8888, 12-8888 Arrow: SS3801, S3803, F-S3801, F-S3803
- 455D Dorma 9300, F9300
- 455E Precision 1103, FL1103
- 455F Monarch 18-R, F-18-R



1-800-849-8324
www.kaba-ilco.com