



NEW
FINISHES
AND
LEVERS

Saflok MT™ Electronic Lock

Enhance the
guest and
resident
experience

dormakaba 

MT RFID technology

Overview

dormakaba's Saflok MT RFID is a full-body electronic lock that offers RFID card reader technology to enhance guest convenience and improve operational efficiency. Ideal for retrofits, these locks work with Saflok access management software.

Mobile Access

The MT RFID is BLE (Bluetooth Low Energy) capable and can operate using the dormakaba Mobile Access Solutions

Applications

- Suitable for small to very large scale hotels
- Easily replaces existing mechanical or electronic door locks throughout a facility
- Access control for guest rooms, common areas as well as back-of-house

Security Features

- High security and tamper-proof design
- 25.4mm (1") solid deadbolt (optional auto deadbolt)
- Staff monitoring - Keycard audits (RFID and smartcard)

Low Maintenance

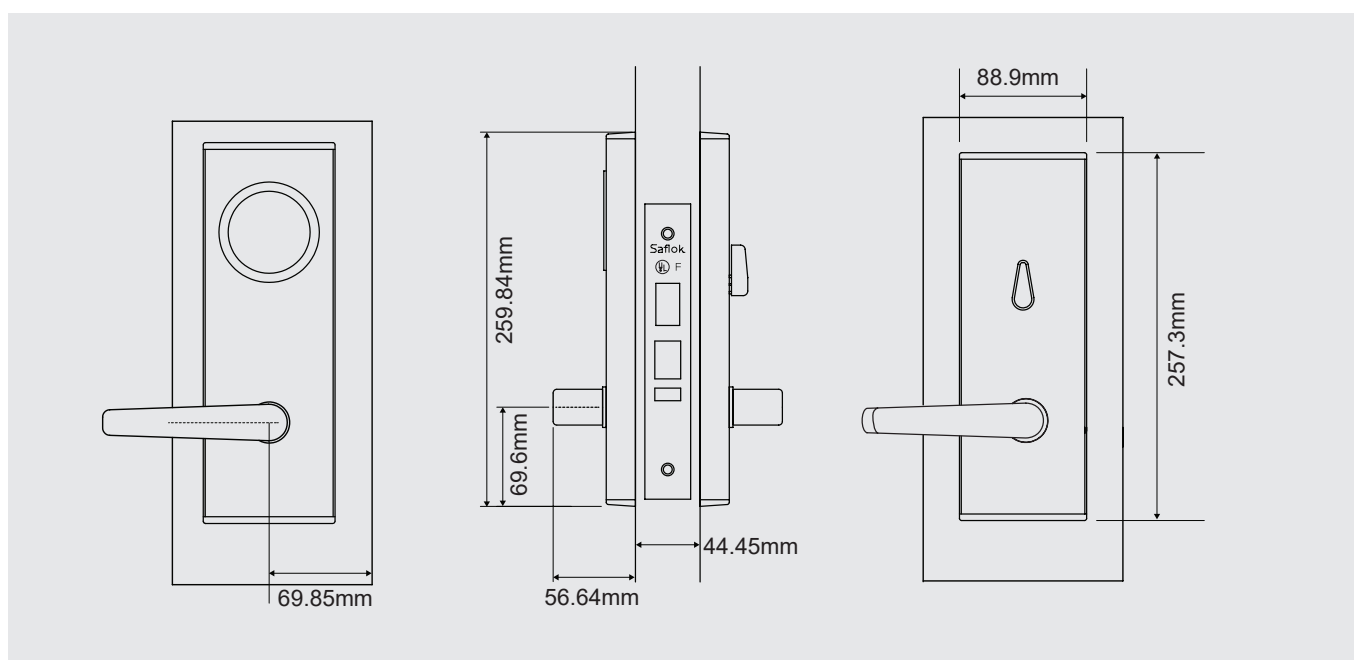
- Batteries last up to 2 years
- Low battery indicator alerts staff
- Lock programming and audit records are not erased during battery replacement
- Operates with a completely sealed contactless reader

Access Management Software

The MT RFID locks are supported by dormakaba's robust access management software solution that features an array of access control workflows for both guest and staff access. Optionally, choose dormakaba's online access management solution for superior control and monitoring.

Lock Operation

- Real time date and time stamp - hours/minutes
- Obtain key usage reports from the lock by using a handheld unit at the door, or increase efficiency by performing a remote Interrogation using Messenger (optional)
- Pre-registered keycards can be made up to ten days in advance without cancelling current or arriving guests
- Configurable expiration dates; can be automatically set for check out date or manually applied when making key during check in process.
- Passage Mode is set by authorised keycard or Messenger system. Can also be configured to perform an automated/pre-defined passage mode time.
- Lockout Mode is set by authorised keycard or Messenger system.
- MIFARE Classic keycards (4 byte NUID) are accepted
- Light indicators in reader to show lock status
- Light indicators and handheld display show lock diagnostics
- Audit Trail for up to 4,000 events
- Disability feature - RCU readers interface with automatic power operated doors for special openings
- Privacy override with emergency keycards



Specifications

Hardware	
Description	Electronic mortise lockset
Handing	Factory-handed mortise (left, right, left reverse, right reverse)
Levers	ADA compliant
Concealed Key Override (optional)	- Saflok KIK Core (keyed-alike, master keyed, recodable) - Best Small IC Adaptor
Deadbolt	25.4mm (1") throw deadbolt and 15.9mm (5/8") dead-locking latch bolt
Door Thickness	44.5mm to 53.98mm for standard product
Shipping weight	3.63 kg with hardware
Housing Construction	Escutcheons: brass or stainless steel Levers: brass, zinc, or stainless steel
Standard Backset	70mm backset 60mm backset also available for cylindrical lock
Inside Trim Options	MT inside escutcheon
Locking Options	ANSI lock case with 31.75mm or 25.4mm lock front mortise Optional automatic deadbolt door ajar, MKO European lock case mortise (20 x 165 mm) with round (20 x 233 mm) or square lock front mortise
Online Configurations	Messenger Ready DAJ mortise (ANSI lock case) Standard (stand alone) inside escutcheon Messenger Online Lock controller board with Messenger capability DAJ mortise (ANSI lock case) Inside escutcheon equipped with Messenger module
Power input	4 x AA Alkaline Batteries Battery life is up to 2 years Low battery indicator: alerts staff that batteries need to be changed soon

Mobile Access Option	
BLE compatible	Standard Lock. Upgradable to BLE by adding BLE connector cable, end cap and BLE module
BLE ready	Upgradable to BLE with BLE module
BLE enabled	End cap with BLE module included, no further upgrades needed

Certifications and Testing	
Accessibility Standard	Complies with ADA standards 2010 for accessible design
Fire Rating	Listed for pre-prepared manufactured doors and certified for retrofitting on existing doors by Underwriters Laboratories for use on fire doors having up to a three-hour rating. a. U.L. Certification: GWVW.R12071 "Accessories for Single-point Locks and Latches and Fire Exit Hardware." Evaluated in accordance with UL 10B and UL 10C. b. U.L. Listing: GYQS.R11247 "Electrically Controlled Single-point Locks and Latches." Evaluated in accordance with UL 10B and UL 10C. c. Also classified in accordance with Uniform Building Code Standard 7-2, "Fire Test of Door Assemblies" (1997)
Electronics	MT RFID: FCC Part 15 Class A and CE Directive 2014/53/EU compliant
Environmental Operating Conditions	Indoor side: 0°C to 66°C Outdoor side: -35°C to 66°C 0% to 85% non-condensing humidity at 30°C conditions
BHMA/ANSI	Certified to be compliant with Grade One performance tests for "ANSI/BHMA A156.13 Standard for Mortise Locks and Latches," and "ANSI/BHMA A156.25 Standard for Electrified Locking Devices." (Only locks tested and approved by non-biased third-party test lab are allowed in the "BHMA Certified Products Directory" found at www.buildershardware.com)

Standard Lever designs



Gala Lever



Elevon Lever



Continental



Troy



Apogee



Arc

Standard Finishes



Satin Chrome



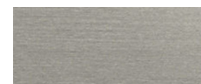
Bright Chrome



Satin Brass



Bright Brass



Satin Nickel

Special finishes

Antique Copper, Black Lacquer, Supreme Satin Chrome, and other special finishes are available upon request.

Note: For custom levers and finishes, please contact your dormakaba local sales representative

Authorised Dealer:

Vintech Systems

14 Salisbury Road
Hornsby NSW 2077
+61 2 9472 2000

www.vintech.com.au



LDS - Saflok MT Brochure: AUG/20
LGS00007. Subject to change without notice



**Door
Hardware**



**Entrance
Systems**



**Electronic
access & Data**



**Interior Glass
Systems**



**Lodging
Systems**



**Mechanical
Key Systems**



Safe Locks



Services

dormakaba Australia

Head Office
12-13 Dansu Court
Hallam VIC 3803
T: 1800 675 411
info.au@dormakaba.com
www.dormakaba.com.au

dormakaba New Zealand

Head Office
Building P, 61-69 Patiki Road
Avondale, Auckland 1026
T: 0800 436 762
info.nz@dormakaba.com
www.dormakaba.co.nz