

A close-up photograph of a silver-colored metal door rail assembly. The rail is shown in a perspective view, highlighting its profile and the internal components, including a black rubber seal and a white plastic insert. The background is a plain, light gray surface.

FITTINGS AND DOOR RAILS FOR TOUGHENED GLASS ASSEMBLIES

Universal / RP / EA / TP/TA
VISUR / BEYOND / SG



CONTENTS



PRODUCT RANGE
4-5

UNIVERSAL
6-41



RP
42-47



EA
48-60



TP/TA
62-91



VISUR
92-99



BEYOND
100-109



SG
110-131



ACCESSORIES
132-156

**SAFETY-RELATED
INFORMATION**
157

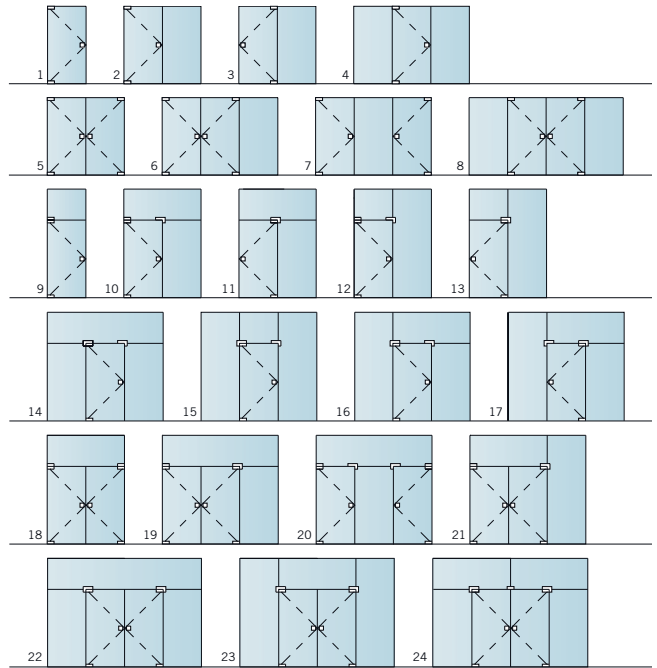
THE DORMA-GLAS RANGE OF FITTINGS

The DORMA-Glas range of fittings has matured into one of the most comprehensive available today. It offers ideal options for creating all standard toughened glass assemblies in a manner which is technically sound and visually attractive. This gives the designer a wide variety of options for individual expression in creating with toughened glass – either internally or externally.

All DORMA fittings are based on a modular system, consisting of a base unit, functional inserts and clip-on covers in the widest possible range of finishes. The glass preparations that are needed can be performed quickly and easily. Quality materials and thorough workmanship guarantee a long service life and a reflection of excellence for years to come.

Door rails and locks ideally complement the DORMA product range for toughened glass assemblies. The door rails grant all requests for wide and heavy doors, also for side panels. They guarantee the maximum protection for the lower glass edge. With its different types and finishes the lock programme DORMA SG meets various requirements for function, safety and appearance.

Applications and features	Patch fittings UNIVERSAL	Patch fittings RP	Patch fittings EA
For external assemblies	+++	+++	+++
For internal assemblies	+++	+++	+++
For standard toughened glass assembly types	+++	+++	+++
For individually designed assemblies with corner fittings, fin fittings etc.	+++		++++
For double-action doors	●	●	
For single-action doors	●		●
Glass thickness (mm)	8, 10, 12 ¹⁾	8, 10, 12	8, 10, 12
Glass thickness (mm), for Universal with 15 mm pivot point	8, 10		
Max. door weight (kg)	130 ²⁾	80	90
Max. door weight (kg) for Universal with 15 mm pivot point	80		
Max. door width (mm)	1300 ²⁾	1100	1000
Materials and finishes			
Aluminium, mill finish (100)			
Aluminium, silver anodised, EV1, CO (101)	●	●	●
Aluminium, dark bronze anodised DB14, MC1003, C34 (108)	●		
Aluminium, sim. to satin stainl. steel anodised (113, 107)		● (113)	● (107)
Bespoke colour anodising (199)	●	●	●
Aluminium, white powder coated, similar to RAL 9016 (300)		●	●
Bespoke powder coating (399)	●	●	●
Brass, polished chromed (501)	●		●
Brass, polished varnished (502)	●		
Brass, polished (503)	●		●
Stainless steel, satin (700)	●		
Stainless steel polish (701)	●		
Page	6	42	48



Door rails TP/TA	Locks SG	ACCESSORIES
+++	+++	
+	+++	
+++	+++	
++	+++	+++
○	○	
○	○	
8, 10, 12, 13,5, 17, 19, 21	8, 10, 12	
150*		
1400*		
●		
●	●	
	●	
●		
	●	
●	●	
●		
●		
62	108	130

2) For door heights up to 2500 mm

For doors with a height of more than 2,500 mm we have to keep additional conditions/limits:

- Glass thickness ≥ 10 mm
- + Usage of a handle bar with 3 connection points in minimum and a minimum height of 2/3 door height

2) Use of door closers:

Doors ≥ 100 Kg must be used with door closers type EN 4 (with or without back check) or a higher type (e.g. EN 5) without back check.

+++ particularly suitable

++ suitable

+ partially suitable

○ Optional

● Standard

¹⁾ Under certain circumstances also 15 + 19 mm glass thicknesses

* Only for double action doors with door rail top and bottom

UNIVERSAL

**General information,
maximum measurements**
8

Type selection
9

Patch fittings Universal
10

Connectors Universal
12

**Locks and strike boxes
Universal**
20

**General information,
Universal pinch free**
24

**Glass preparation details –
Universal Fittings**
27

**Glass preparation details –
Universal Locks**
35

**Construction details
Universal**
37

**Glass preparation details –
Universal pinch free**
38

**Construction details
Universal pinch free**
41

Accessories
132

Safety-related information
157



UNIVERSAL ... AS THE NAME SAYS

With its broad spectrum of basic types and variants, the Universal range of patch fittings enables the realisation in toughened glass of almost any conceivable design. Toughened glass assemblies can be provided with fixed parts in widely differing arrangements – with corner fittings or fin fittings at different angles, and with double or single-action doors in single-leaf or double-leaf designs.

Easy glass preparation, secure fixing

DORMA-Glas has an intimate knowledge of the special properties of glass as a building material. This has led to the design of fittings requiring only minimal glass preparation – a quick and easy cut-out with additional holes.

Carefully considered and positive measures have been taken to create the maximum clamping surface with optimum clamping efficiency.

Suitable for common glass thicknesses

Universal fittings are supplied as standard with gasket to suit 10 mm glass (TSG). For 8 mm and 12 mm glass, correspondingly thicker and thinner gasket is available. Some patches are even designed to fit directly with different glass thicknesses.

Variable pivot point

The inserts for corner and over-panel patches in the Universal program have been designed and manufactured to give two options in the pivot point distance from the sidepanel or frame. It can be either 55 mm

or 65 mm. At 65 mm pivot point and the use of a special round profile (page 19) doors can be built with a constant air gap of only 4 mm.

For information regarding patch fittings Universal with 15 mm pivot point for pinch free doors see page 24 and following pages.

Reliability built in

Quality materials and thorough workmanship mean that Universal fittings have the features necessary to meet the most demanding of specifications. The fittings are designed to cope with large and heavy doors up to a maximum weight of 130 kgs*: for instance, a door blade 3000 mm high by 1300 mm* wide, using 12 mm glass is quite possible.

For heavier and wider doors up to a maximum of 150 kgs and max. 1400 mm and for high frequented doors, rails with reinforced straps are available.

Matching range of locks

The Universal range includes every type of accessory, and of course, a variety of locks and strike boxes in a matching design concept, giving the designer plenty of choice from the options available.

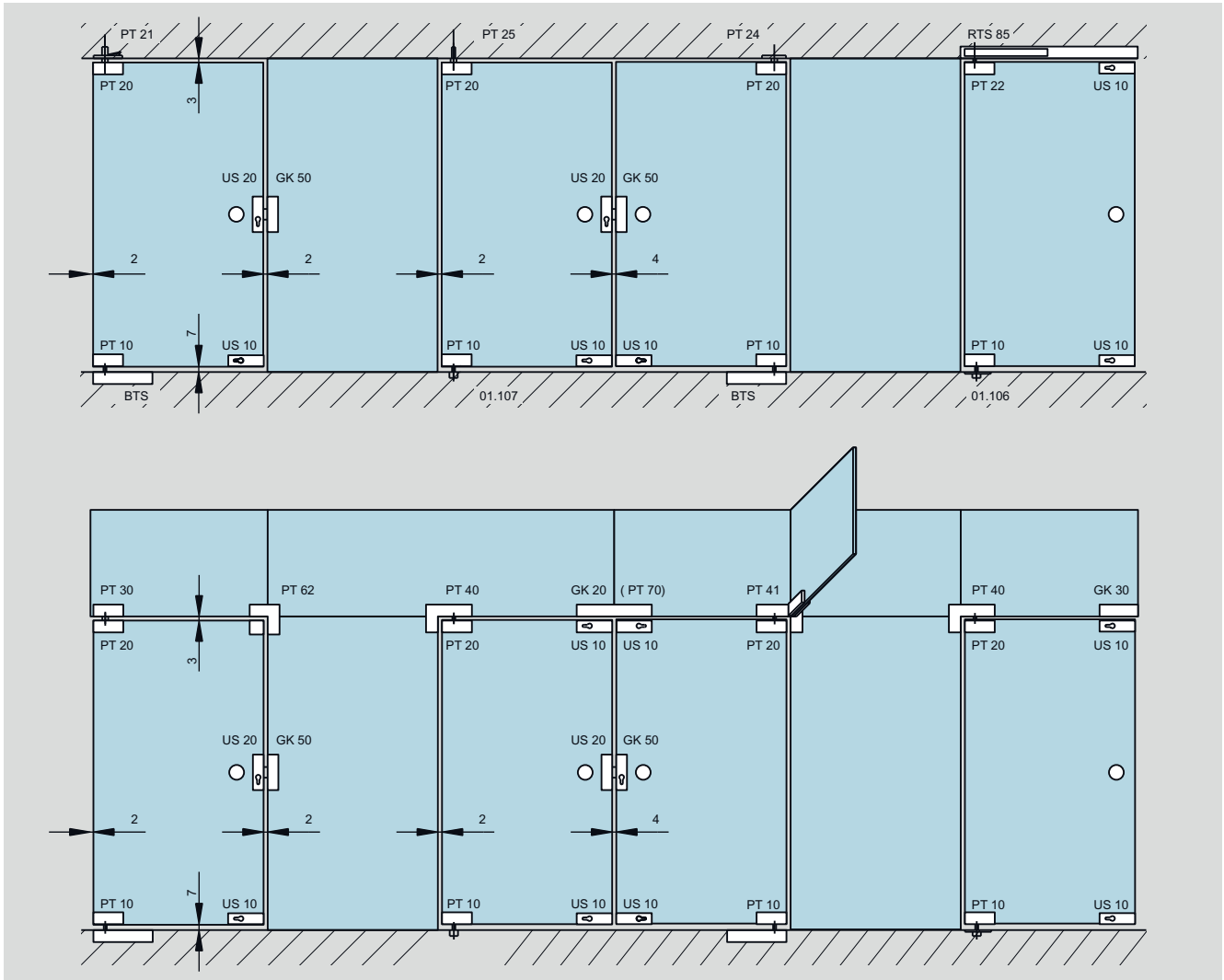
Short delivery times

All the common patterns and types are available ex-stock (factory). Specials will be prepared promptly.



TYPE SELECTION

Toughened glass assemblies with fittings (55/65 mm pivot point) and locks. All standard assembly types see page 5.



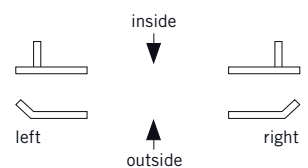
BTS = Floor spring
 GK = Strike box
 PT = Centre hung door fittings
 RTS = Transom closer
 US = Lock

Maximum door weight and width for Universal fittings
 max. door weight: 130 kg*
 max. door width: 1300 mm*

For doors with higher frequency and in public areas we would advice to use a door rail for doors above 110 kg and door width larger than 1100 mm.
 For door weights up to 150 kg and widths up to 1400 mm door rails should be used.

Torque for fixing screws
 Screws M 6: 10 Nm (4 mm)*
 Screws M 6: 15 Nm (5 mm)*
 Screws M 8: 20 Nm (5 mm)*
 *Allan key size

Please note: If angle fittings or fin fittings are used:
 "Left" or "Right" have to be determined in any case by view from outside and above.

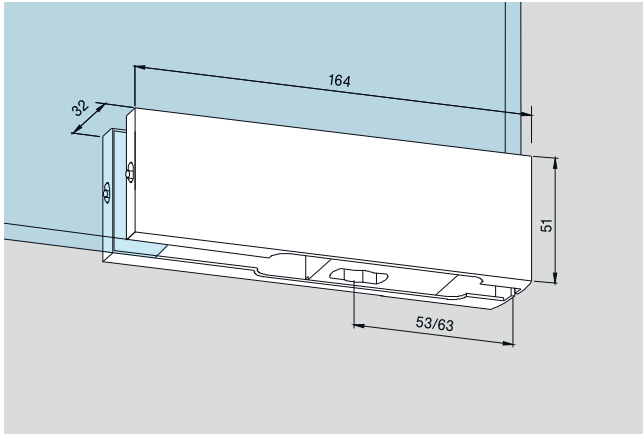


- * **For door heights up to 2500 mm**
 For doors with a height of more than 2,500 mm we have to keep additional conditions/limits:
 - Glass thickness ≥ 10 mm
 - + Usage of a handle bar with 3 connection points in minimum and a minimum height of 2/3 door height
- * **Use of door closers:**
 Doors ≥ 100 Kg must be used with door closers type EN4 (with or without back check) or a higher type (e.g. EN5) without back check

PATCH FITTINGS

Shown with 10 mm glass. When used with 8 and 12 mm glass the measurements change accordingly.

Accessories for additional versions with 8 or 10 mm glass see page 132.



PT 10 bottom patch
with insert for DORMA floor spring spindle, or round pivot 14 mm Ø

Art. No. 03.100

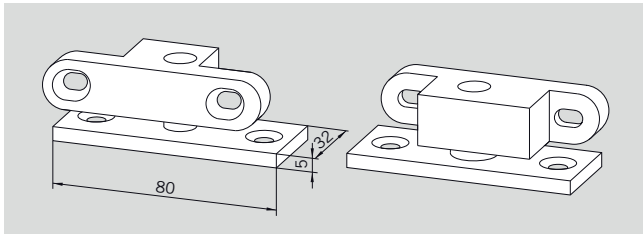
Not illustrated:
For 12 mm glass thickness, only in satin stainless steel

Art. No. 03.860

For 15 and 19 mm glass thicknesses. Please specify with order.

Art. No. 03.280

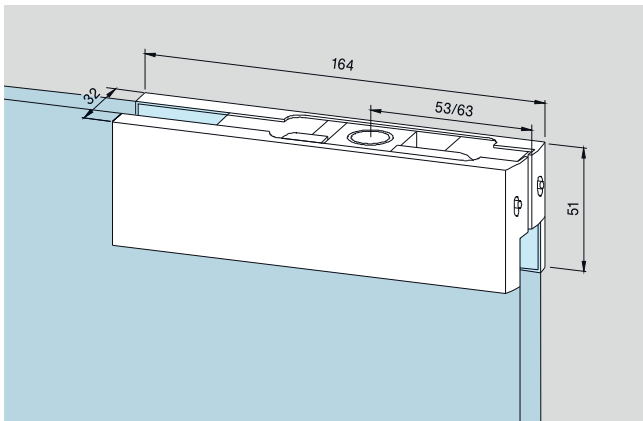
Weight in kg:
aluminium 0.564
brass 0.680
stainless steel 0.662



Floor pivot bearing
for damp environments, with insert for PT 10, **without floor recess**, max. door weight 80 kg

Art. No. 01.137

Weight in kg: 0.195



PT 20 top patch
with plastic socket for top pivot 15 mm Ø

Art. No. 03.110

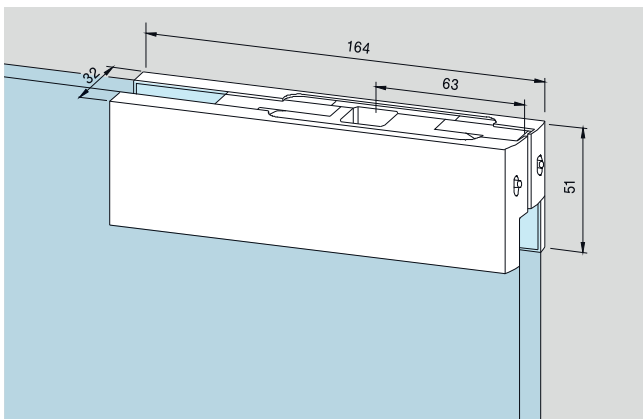
Not illustrated:
For 12 mm glass thickness, only in satin stainless steel

Art. No. 03.861

For 15 and 19 mm glass thicknesses. Please specify with order.

Art. No. 03.281

Weight in kg:
aluminium 0.477
brass 0.593
stainless steel 0.575



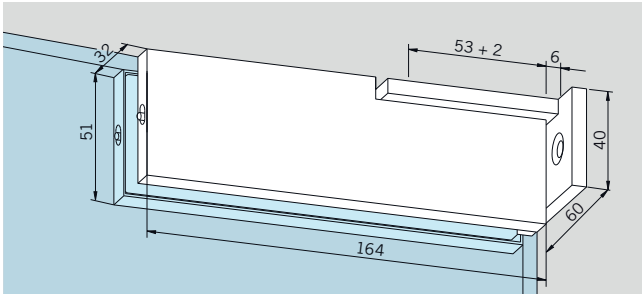
PT 22 top patch
with insert for DORMA RTS transom closer

Art. No. 03.112

Not illustrated:
For 12 mm glass thickness, only in satin stainless steel

Art. No. 03.862

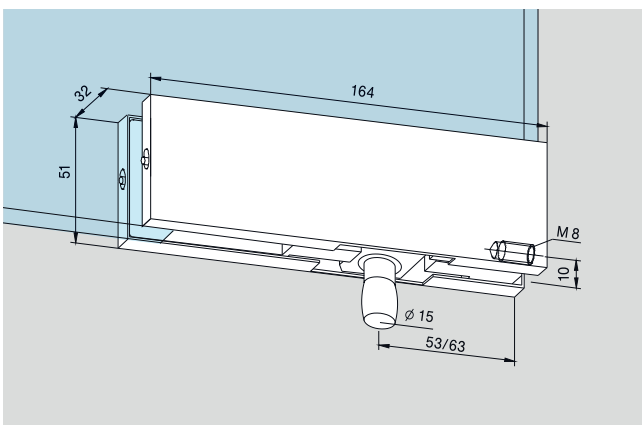
Weight in kg:
aluminium 0.578
brass 0.695
stainless steel 0.677



PT 29 top patch
with pivot fixing plate,
to countersink into ceiling
(pivot point = 55 mm)
max. door width: 1000 mm
max. door weight: 70 kg

Art. No. 03.114

Weight in kg:
aluminium 0.544
brass 0.692



PT 30 overpanel patch
with pivot 15 mm Ø, with
M 8 tapped hole at the side

Art. No. 03.120

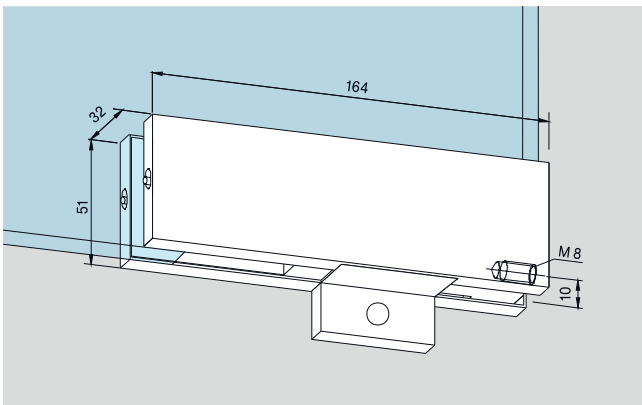
Not illustrated:
For 12 mm glass thickness,
only in satin stainless steel

Art. No. 03.863

For 15 and 19 mm glass
thickness. Please specify with
order.

Art. No. 03.282

Weight in kg:
aluminium 0.528
brass 0.654
stainless steel 0.636



PT 30 overpanel patch
with stop insert

Art. No. 03.420

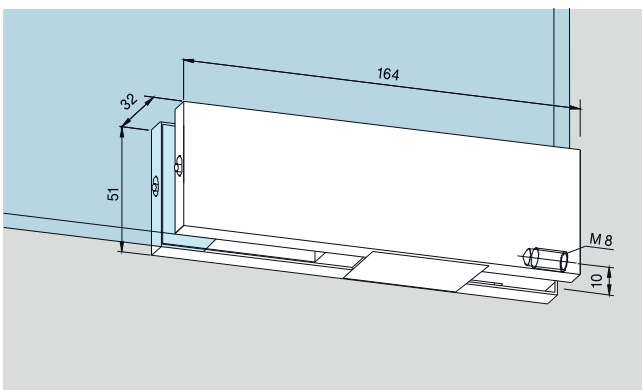
Not illustrated:
For 12 mm glass thickness,
only in satin stainless steel

Art. No. 03.873

For 15 and 19 mm glass
thickness. Please specify with
order.

Art. No. 03.482

Weight in kg:
aluminium 0.528
brass 0.654
stainless steel 0.580



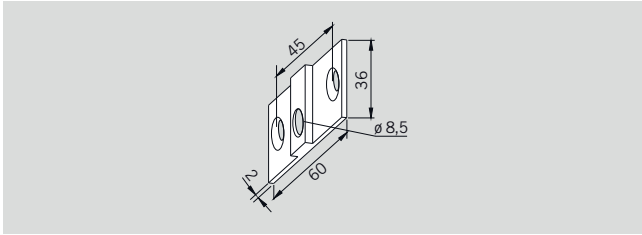
PT 30 overpanel patch
with blank insert

Art. No. 03.421

Not illustrated:
for 15 and 19 mm glass
thickness. Please specify with
order.

Art. No. 03.484

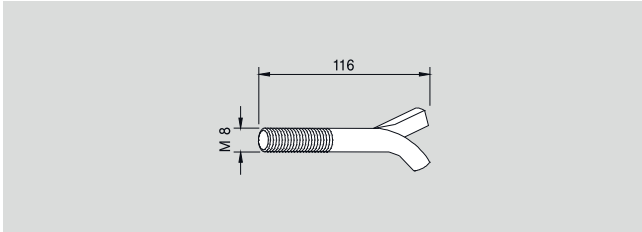
Weight in kg:
aluminium 0.519
brass 0.645
stainless steel 0.571



Fixing plate
for overpanel patch PT 30

Art. No. 03.128

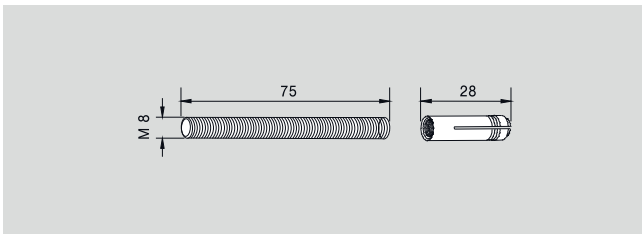
Weight in kg:
aluminium 0.016
brass 0.038
Stainless steel not available,
satin chrome on brass supplied.



Wall anchor
with thread M 8 for overpanel
patch PT 30

Art. No. 01.133

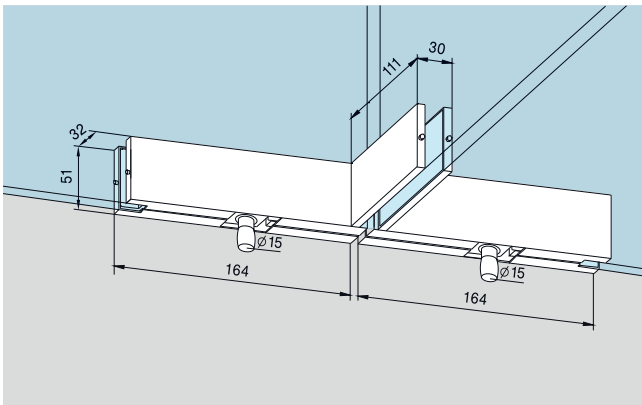
Weight in kg: 0.040



Threaded rod
M 8 with plug for overpanel
patch PT 30

Art. No. 01.134

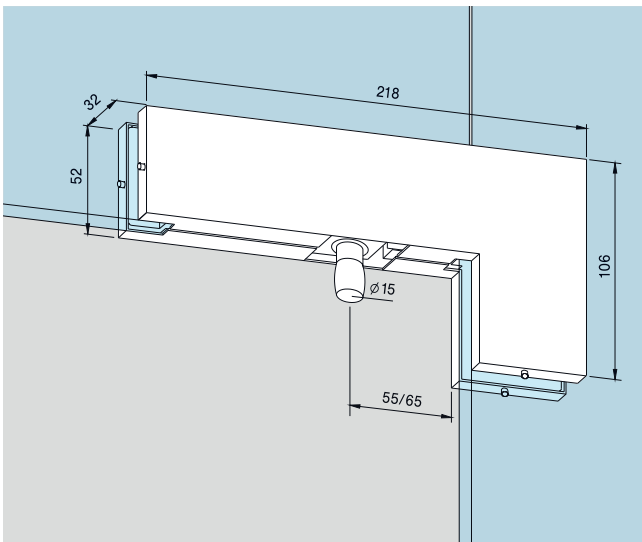
Weight in kg: 0.032



**PT 51 patch for overpanel with
fin fitting inside for back to
back doors**
with two pivots 15 mm \varnothing

Art. No. 03.160

Weight in kg:
aluminium 1.299
stainless steel 1.576



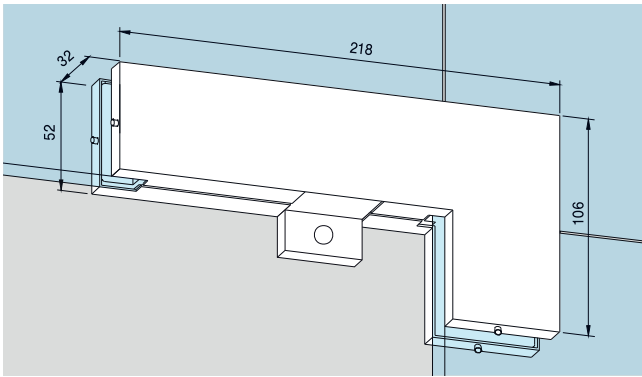
**PT 40 patch for overpanel and
sidelight**
with pivot 15 mm \varnothing

Art. No. 03.140

Not illustrated:
For 15 and 19 mm glass
thickness. Please specify with
order.

Art. No. 03.283

Weight in kg:
aluminium 0.755
brass 0.958
stainless steel 0.937



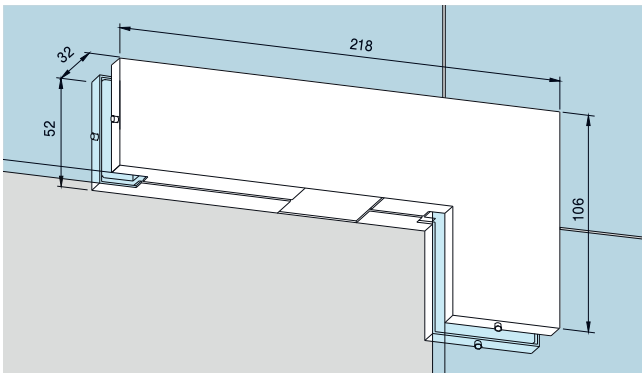
PT 40 patch for overpanel and sidelight
with stop insert

Art. No. 03.440

Weight in kg:
aluminium 0.755
brass 0.958
stainless steel 0.937

Not illustrated:
For 15 and 19 mm glass thickness. Please specify with order.

Art. No. 03.483



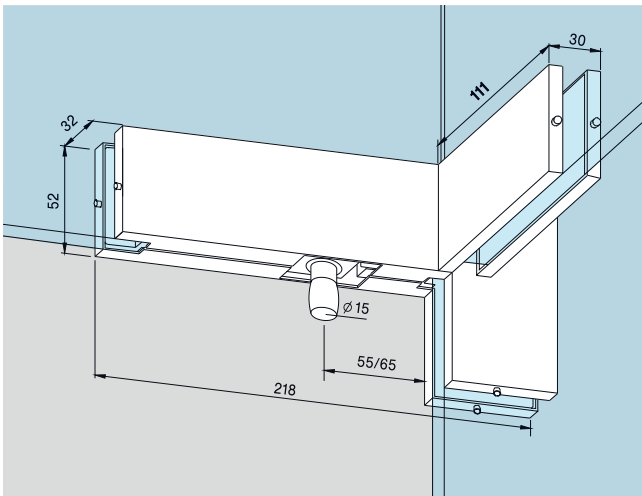
PT 40 patch for overpanel and sidelight
with blank insert

Art. No. 03.441

Weight in kg:
aluminium 0.746
brass 0.949
stainless steel 0.928

Not illustrated:
For 15 and 19 mm glass thickness. Please specify with order.

Art. No. 03.485



PT 41 patch for overpanels and sidelight with fin fitting inside,
with pivot 15 mm Ø

Art. No. *03.162 / 03.163

Not illustrated:

PT 41 patch for overpanels and sidelight with stop insert

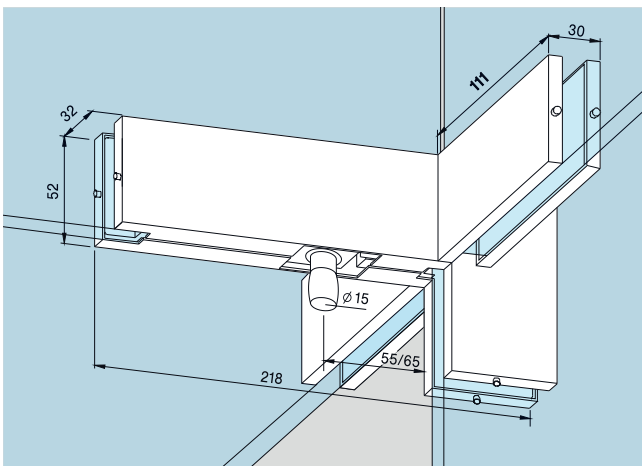
Art. No. *03.262 / 03.263

Not illustrated:

PT 41 patch for overpanels and sidelight with blank insert

Art. No. *03.264 / 03.265

Weight in kg:
aluminium 0.952
stainless steel 1.197

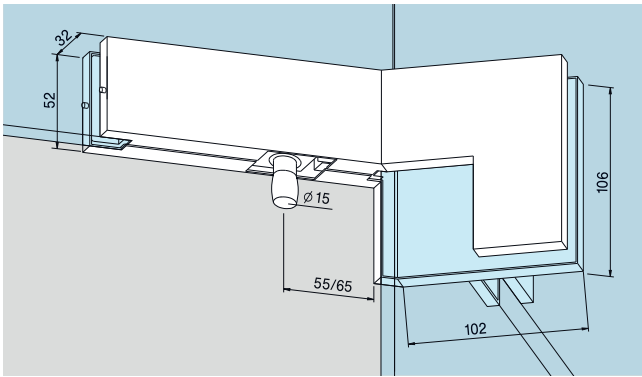


PT 41 patch for overpanels and sidelight with fin fitting on both sides,
with pivot 15 mm Ø

Art. No. 03.161

Weight in kg:
aluminium 1.149
stainless steel 1.457

* Left hand fin (illustration shows left hand) / right hand fin.
Left or right hand are determined by view from outside.

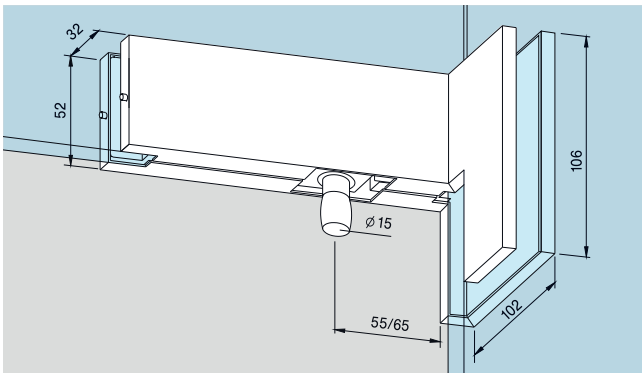


PT 41 patch for overpanel and sidelight, with fin fitting inside, with pivot 15 mm Ø angle 135° – 179°

Art. No. *03.168 / 03.169

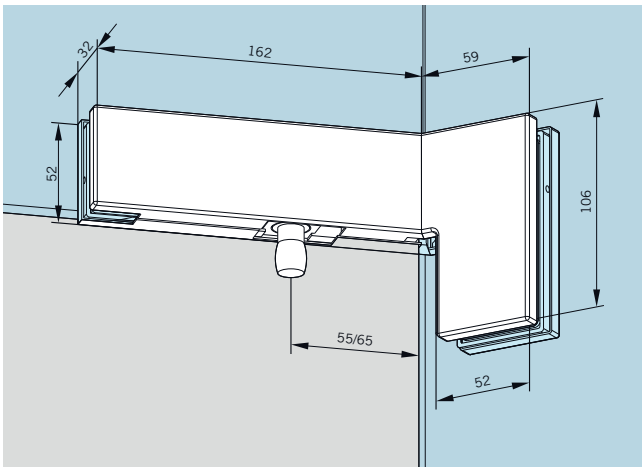
Weight in kg:
aluminium 1.200
stainless steel 1.522

Glass preparation on request, please send your drawing.



PT 42 overpanel patch for single action doors with angled connector inside, pivot 15 mm, angle 90°

Art. No. *03.164 / 03.165



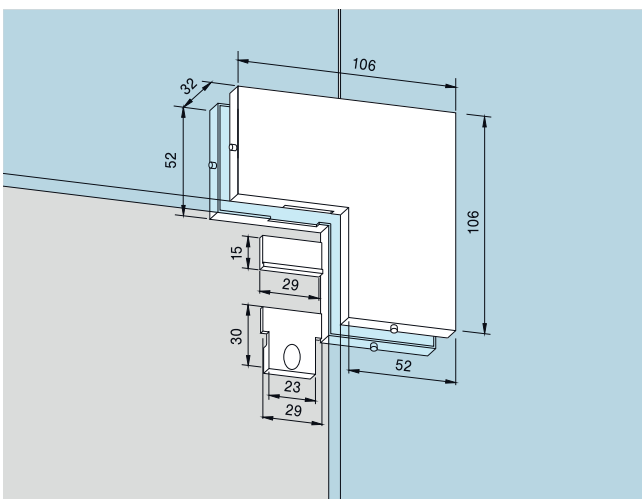
PT 42 overpanel patch for double or single action doors with angled connector inside, pivot 15 mm, angle 135°

Art. No. *03.464 / 03.465

Not illustrated:
angle 105°–134° / 136°–179°
(glass preparation on request)

Art. No. *03.166 / 03.167

Weight in kg:
aluminium 0.882
stainless steel 1.059



PT 60/61 connector for overpanel and sidelight, for double or single action doors with one stop insert and two blank inserts, also suitable for 12 mm glass thickness.

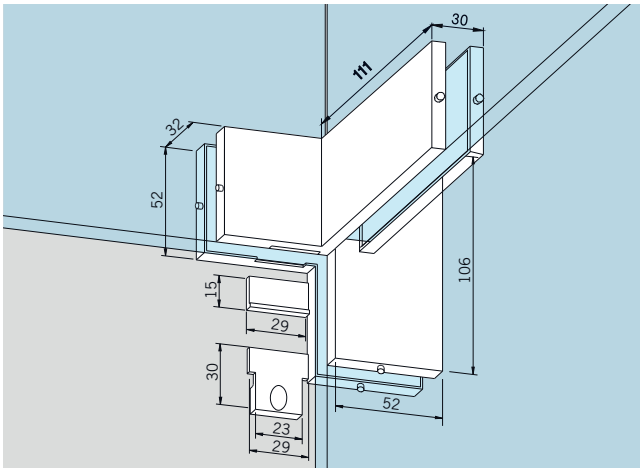
Art. No. 03.150

Not illustrated:
For 15 and 19 mm glass thicknesses. Please specify with order.

Art. No. 03.452

Weight in kg:
aluminium 0.343
brass 0.461
stainless steel 0.436

* Left hand fin (illustration shows left hand) / right hand fin.
Left or right hand are determined by view from outside.

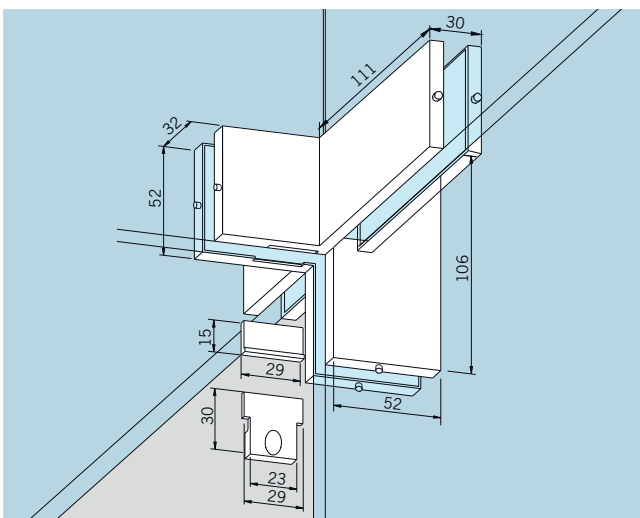


PT 60/61 connector for over-panel and sidelight, for double or single action doors, with fin fitting inside, with one stop insert and two blank inserts

Art. No. *03.158 / 03.157

Weight in kg:
aluminium 0.448
stainless steel 0.600

Also suitable for 12 mm glass thickness.

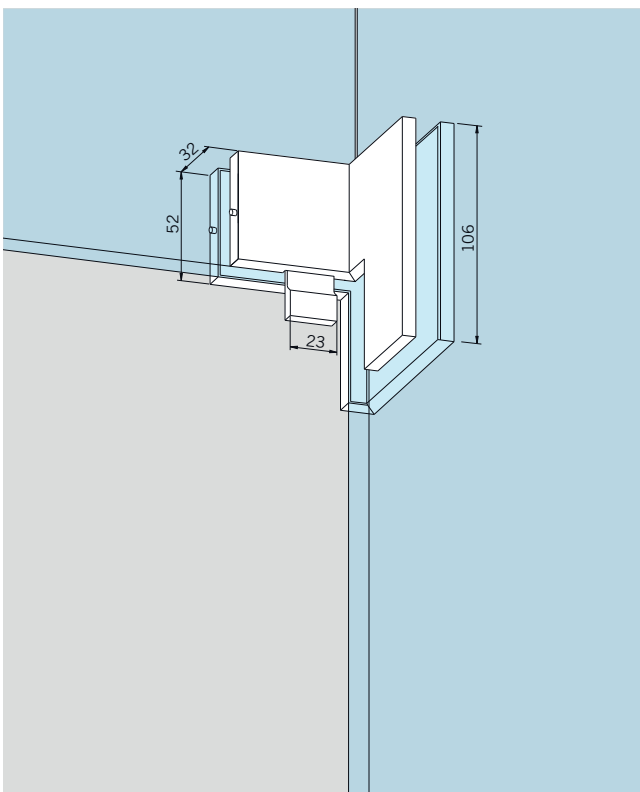


PT 60/61 connector for over-panel and sidelight, for double or single action doors, with fin fitting on both sides, with one stop insert and two blank inserts

Art. No. 03.159

Weight in kg:
aluminium 0.645
stainless steel 0.860

Also suitable for 12 mm glass thickness.



PT 60/61 connector for overpanel and sidelight for single action doors, with stop inside, angle 90°

Art. No. *03.454 / 03.455

Weight in kg:
aluminium 0.251
stainless steel 0.344

Not illustrated:

PT 60/61 for double or single action doors, with one stop insert and two blank inserts, angle 135°

Art. No. *03.450 / 03.451

angle 105°–134° / 136°–179° (specify angle with order)

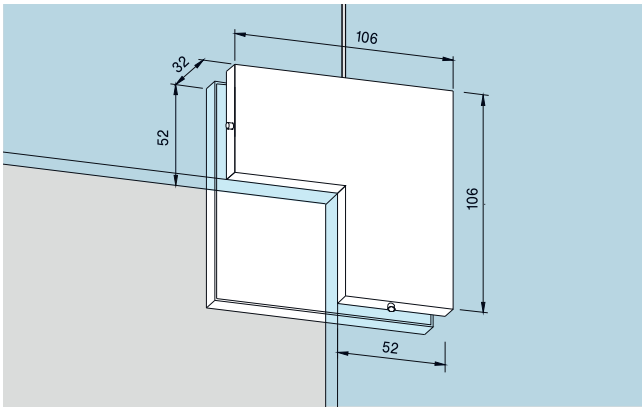
Art. No. *03.156 / 03.155

Weight in kg:
aluminium 0.343
stainless steel 0.435

Also suitable for 12 mm glass thickness.

Glass preparation on request.

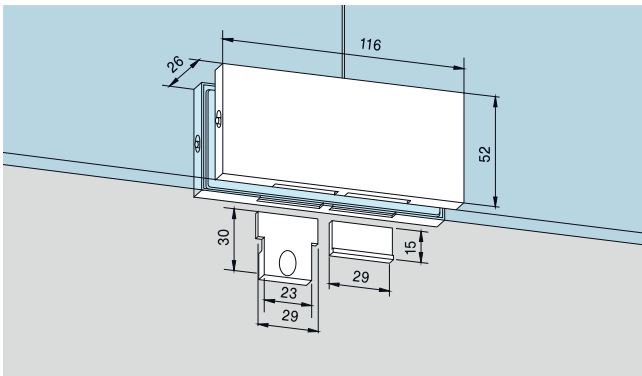
* Left hand fin (illustration shows left hand) / right hand fin. Left or right hand are determined by view from outside.



PT 62 connector for overpanel and sidelight, with stop

Art. No. 03.173

Weight in kg:
aluminium 0.475
stainless steel 0.670



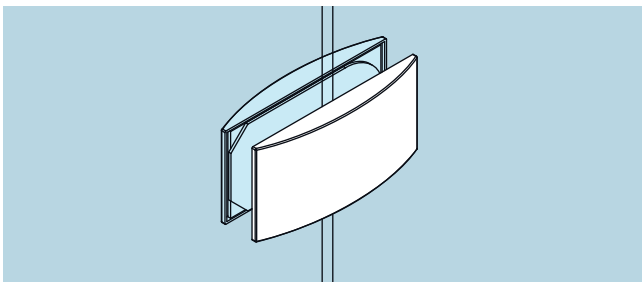
PT 70 overpanel connector with two stop inserts and two blank inserts, also suitable for 12 mm glass thickness

Art. No. 01.150

Not illustrated:
For 15 and 19 mm glass thicknesses. Please specify with order.

Art. No. 01.158

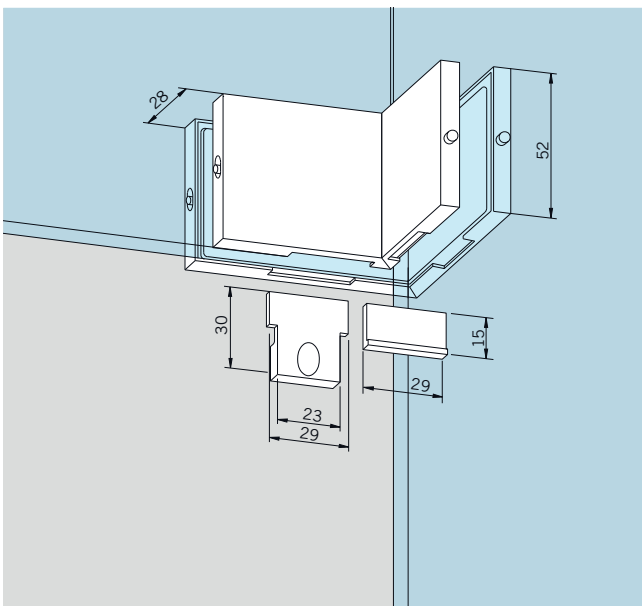
Weight in kg:
aluminium 0.272
stainless steel 0.335



Overpanel-sidelight connector

Art. No. 12.536

Weight in kg:
aluminium 0,146



PT 70 connector with two stop inserts and two blank inserts, angle 90°

Art. No. 01.156

Not illustrated:
angle 135°

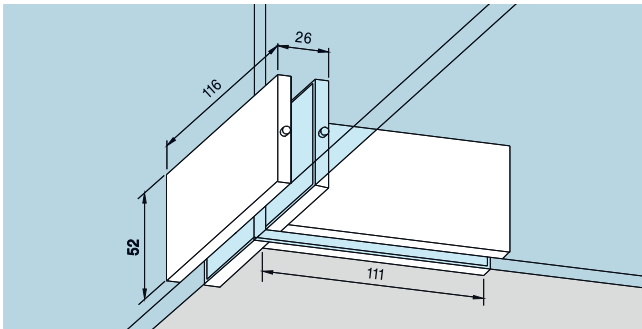
Art. No. 01.157

angle 91° – 134° / 136° – 179°
(glass preparation on request)

Art. No. 01.155

Weight in kg:
aluminium 0.272
stainless steel 0.335

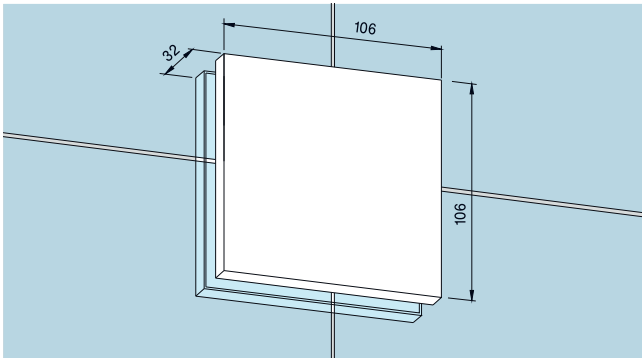
Also suitable for 12 mm glass thickness.



PT 71 overpanel connector
with fin fitting

Art. No. 01.161

Weight in kg:
aluminium 0.458
stainless steel 0.608



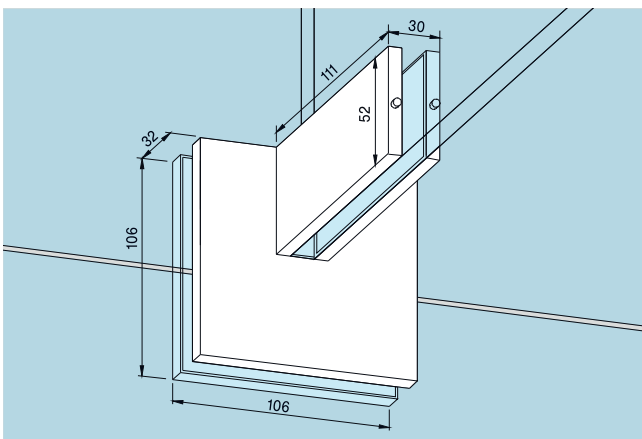
PT 80 connector

Art. No. 03.170

Not illustrated:
For 15 and 19 mm glass
thicknesses. Please specify
with order.

Art. No. 03.472

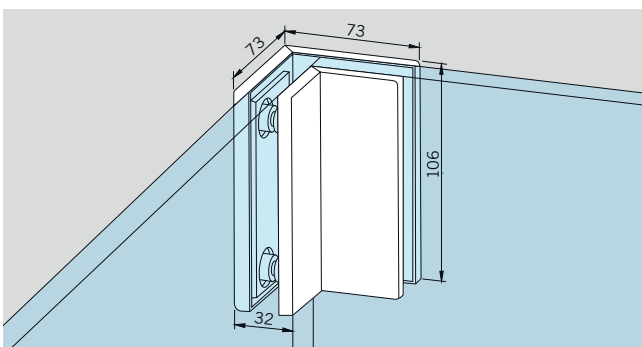
Weight in kg:
aluminium 0.555
stainless steel 0.780



PT 81 connector
with fin fitting

Art. No. 03.175

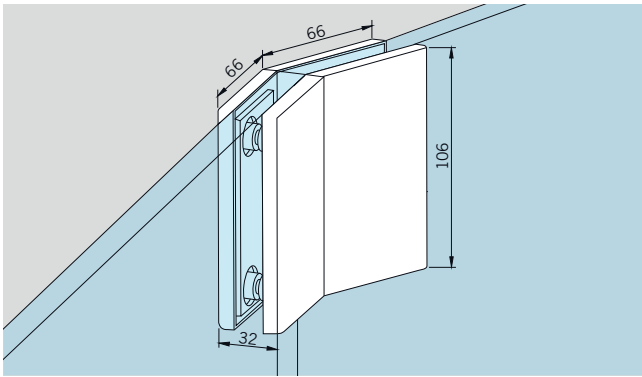
Weight in kg:
aluminium 0.784
stainless steel 1.065



PT 80 connector
angle 90°

Art. No. 03.171

Weight in kg:
aluminium 0.467
stainless steel 0.540



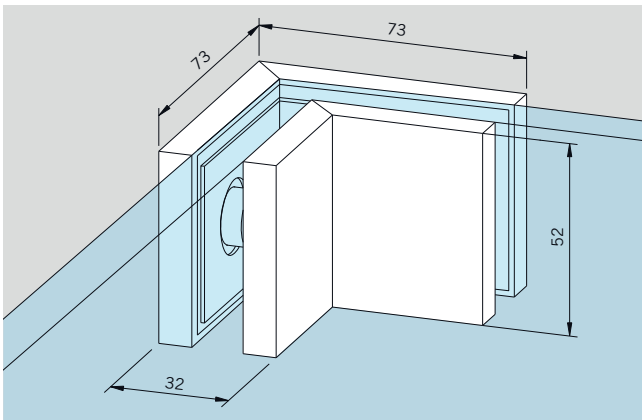
PT 80 connector,
angle 135°

Art. No. 03.172

Not illustrated:
angle 91° – 134° / 136° – 179°
(Please specify angle with order)

Art. No. 03.178

Weight in kg:
aluminium 0.472
stainless steel 0.541



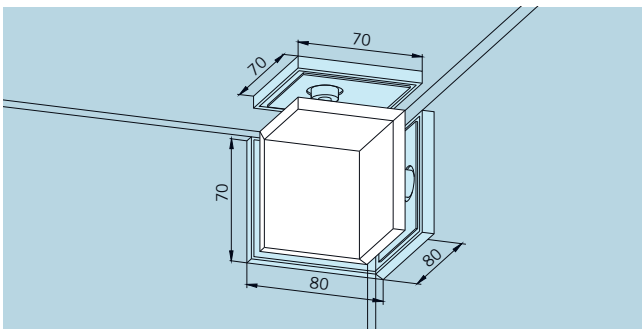
PT 80 connector,
shortened, angle 90°

Art. No. 03.470

Not illustrated:
angle 91° – 134° / 136° – 179°
(Please specify angle with order)

Art. No. 03.179

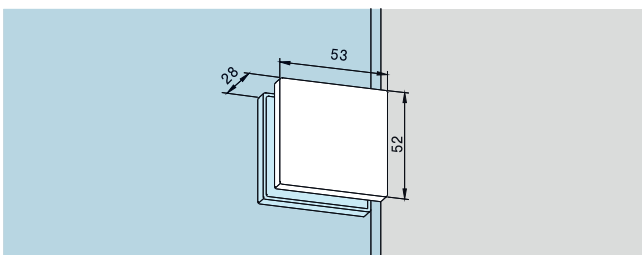
Weight in kg:
aluminium 0.236
stainless steel 0.270



Three way box corner connector,
angle 90°

Art. No. 03.198

Weight in kg:
aluminium 0.099
stainless steel 0.131



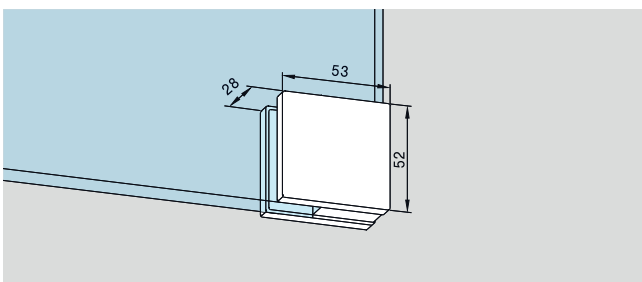
PT 90 screw on fitting

Art. No. 07.021

Weight in kg:
aluminium 0.120
brass 0.160
stainless steel 0.155

for 13.5–19 mm
glass thicknesses

Art. No. 07.210



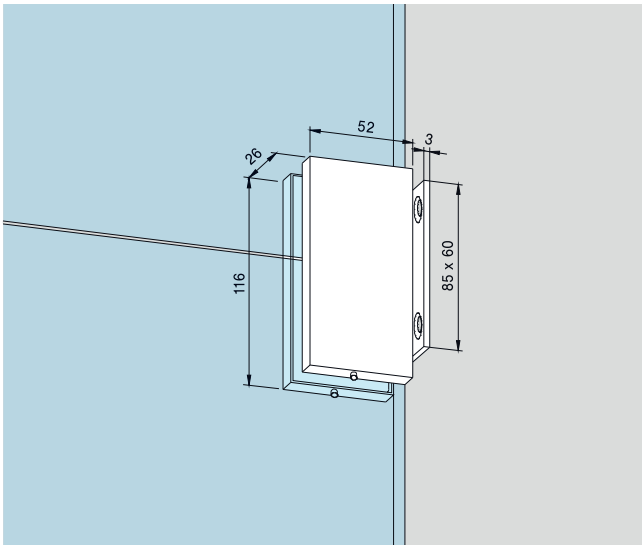
PT 91 corner fitting

Art. No. 07.023

Weight in kg:
aluminium 0.120
brass 0.160
stainless steel 0.155

for 13.5–19 mm
glass thicknesses

Art. No. 07.211



Side connector
with fixing plate

Art. No. 01.153

Weight in kg:
aluminium 0.313
stainless steel 0.376

Also suitable for 12 mm glass thickness.

Not illustrated:

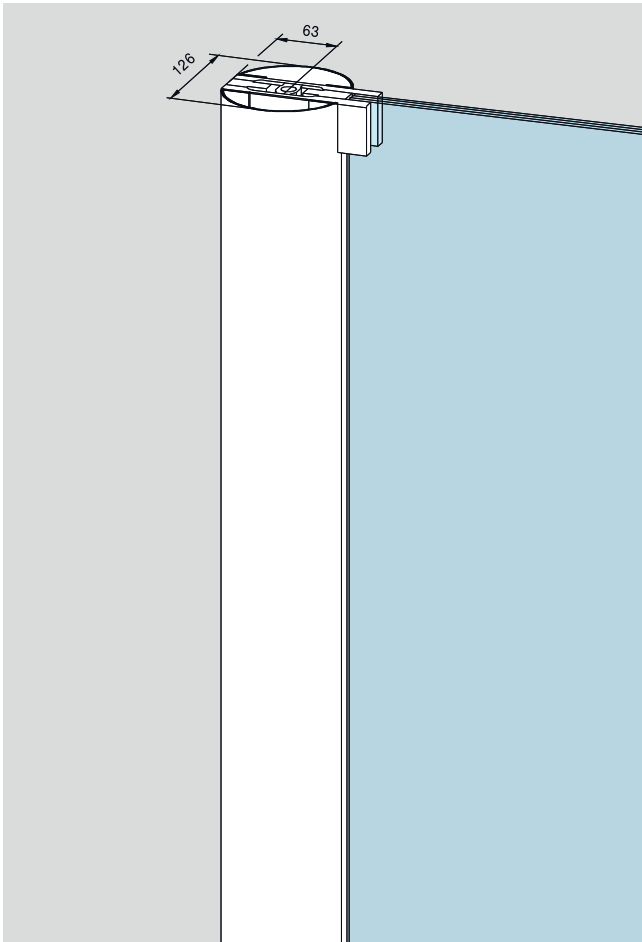
Gasket
for 8 mm glass thickness

Art. No. 01.900

for 12 mm glass thickness

Art. No. 01.901

Please indicate glass thickness and Art. No. of fitting.



Aluminium round profile
for pinch free doors with 65 mm pivot point, consisting of 2 halves, prepared for Universal fittings or door rails (76.5 mm or 100 mm).

Art. No. 03.380

Please indicate:

- Panel height (max. 2500 mm, higher dimension on request)
- Required preparation of the profile for top and bottom fittings

Aluminium round profile,
as above,
stock length 6000 mm
(unprepared)

Art. No. 03.381

Aluminium round profile,
as above,
stock length 3000 mm
(unprepared)

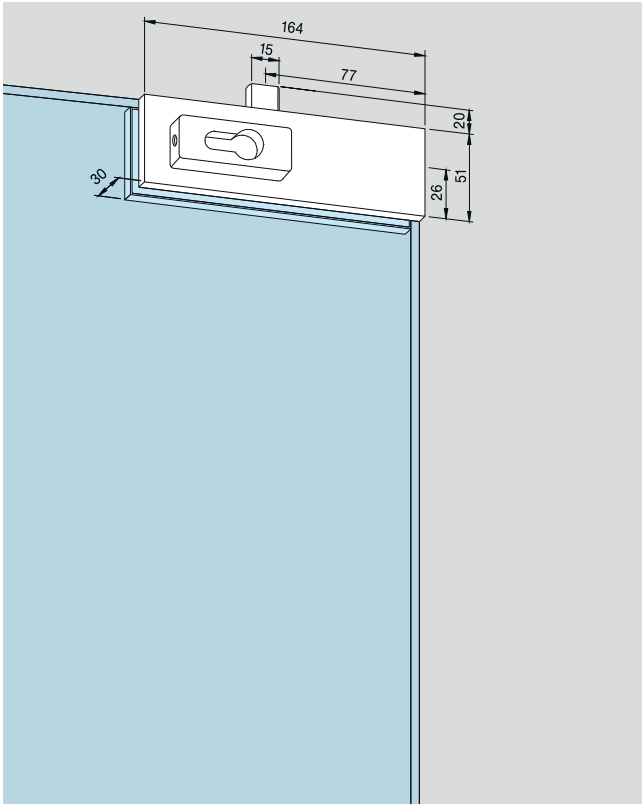
Art. No. 03.382

Aluminium round profile,
as above,
stock length 2800 mm
(unprepared)

Art. No. 03.383

Weight in kg/m:
Aluminium 4.744

LOCKS, COMPLETE FOR 10 MM GLASS THICKNESS



US 10 corner lock,

prepared for Europrofile cylinder, single throw, bolt projection 20 mm, with security rosettes on both sides, 14 mm thick.

Lock insert:

- high corrosion resistance according to EN 1670, class 4
- with regard to type-test according to DIN 18251, class 3**

For 10 mm glass thickness

Art. No. 03.206

Not illustrated:

For 12 mm glass thickness, only in satin stainless steel

Art. No. 03.867

For 15 and 19 mm glass thickness. Please specify with order.

Art. No. 03.285

Prepared for KABA

Art. No. 03.340

For half profile cylinder

Art. No. 03.288

Left hand top/ right hand bottom

Art. No. 03.287

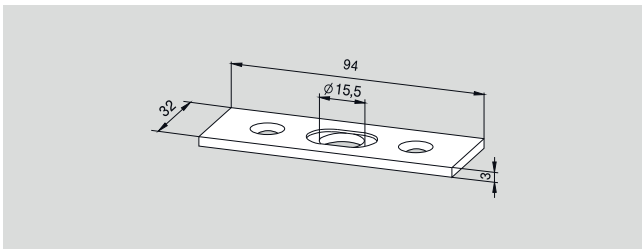
Left hand bottom/right hand top

Weight in kg:

aluminium	0.942
brass	1.061
stainless steel	1.053

Art. No. 05.190

Weight in kg: 0.048



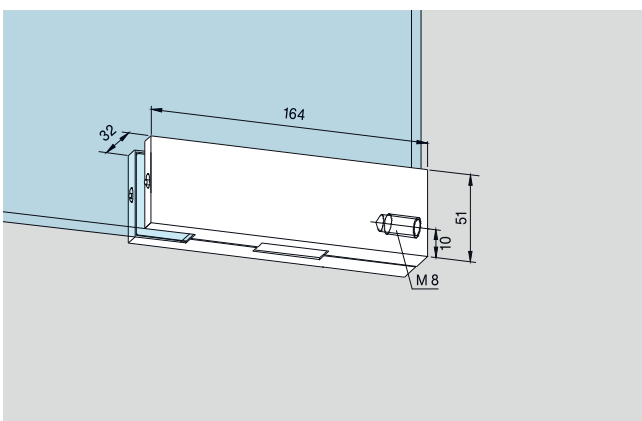
Lock keeper plate,

stainless steel, two parts, adjustable ± 5 mm

Alternative (not illustrated):

Floor sockets
(see accessories page 135)

Art. No. 05.192, 05.193, 05.194



GK 30 single overpanel strike box with threaded hole at side, to suit US 10 corner lock

Art. No. 03.230

Not illustrated:

For 12 mm glass thickness, only in satin stainless steel

Art. No. 03.870

Weight in kg:

aluminium	0.418
brass	0.555
stainless steel	0.536

Not illustrated:

GK 30 with stop

Art. No. *03.234/03.235

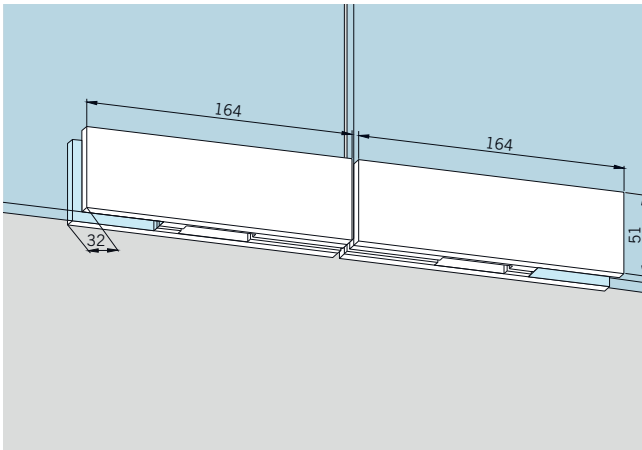
Weight in kg:

Fixing material see accessories page 138.

aluminium	0.463
stainless steel	0.597

* Left or right hand are determined by view from outside.

** Extract from DIN 18251, class 3: Type-test with 50,000 locking bolt operating cycles. Furthermore the lock was tested successfully by a neutral testing institute with 100,000 locking bolt operating cycles.



GK 20 double overpanel strike box to suit US 10 corner lock, consisting of two GK 30 with threaded connecting bolt

Art. No. 03.245

Not illustrated:

For 12 mm glass thickness, only in satin stainless steel

Art. No. 03.871

Weight in kg:
aluminium 0.844
brass 1.096
stainless steel 0.948

Not illustrated:

GK 20 with stop

Art. No. 03.247

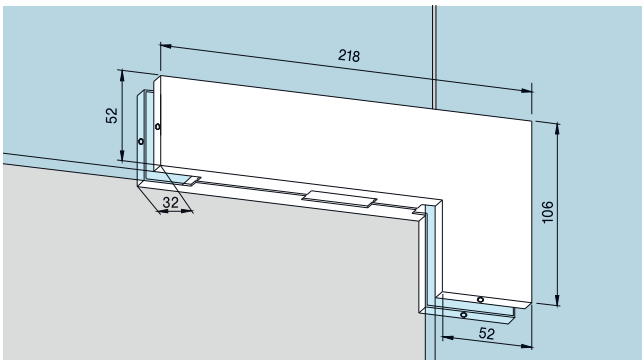
Weight in kg:
aluminium 1.490
brass 4.465

Not illustrated:

For 12 mm glass thickness, only in satin stainless steel

Art. No. 03.872

Weight in kg:
aluminium 0.709
brass 1.035
stainless steel 1.010



GK 40 corner overpanel strike box to suit US 10 corner lock

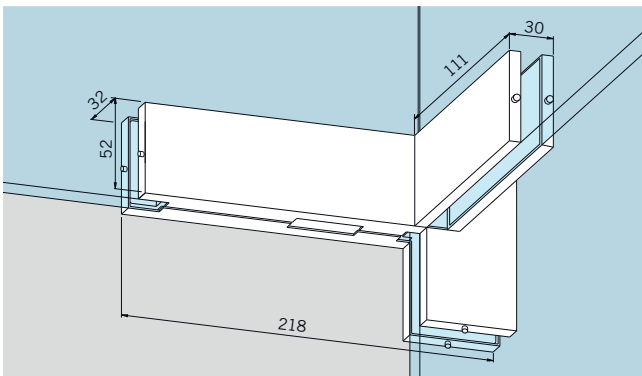
Art. No. 03.250

Not illustrated:

GK 40 with stop

Art. No. *03.254 / 03.255

Weight in kg:
aluminium 0.754
brass 1.035
stainless steel 1.010

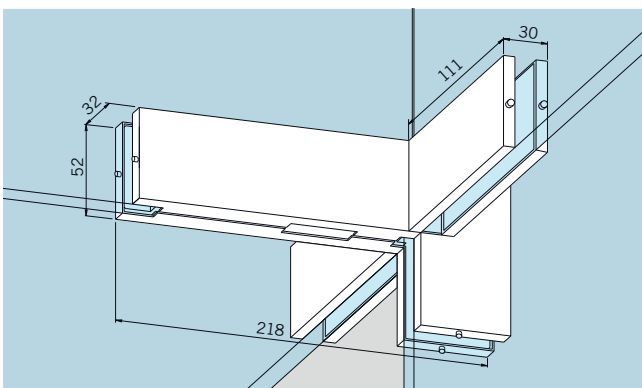


GK 41 strike box

to suit US 10 corner lock, with fin fitting

Art. No. *03.194 / 03.193

Weight in kg:
aluminium 0.906
stainless steel 1.270



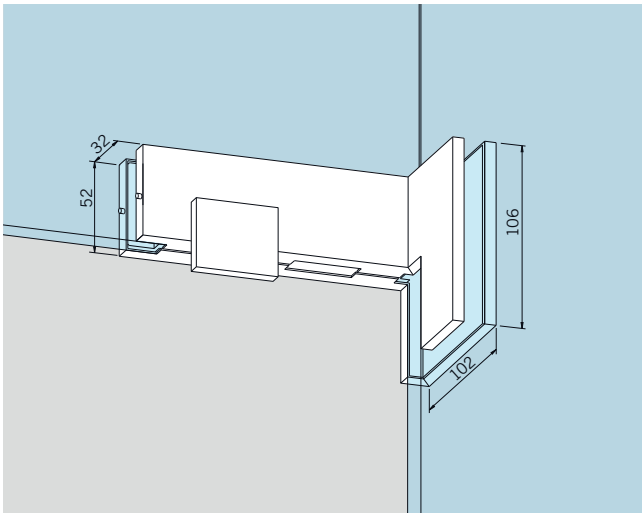
GK 41 strike box

with fin fitting on both sides

Art. No. 03.195

Weight in kg:
aluminium 1.103
stainless steel 1.411

* Order of Art. No.: left hand fin / right hand fin – determined by view from outside. (Illustration shows left hand)



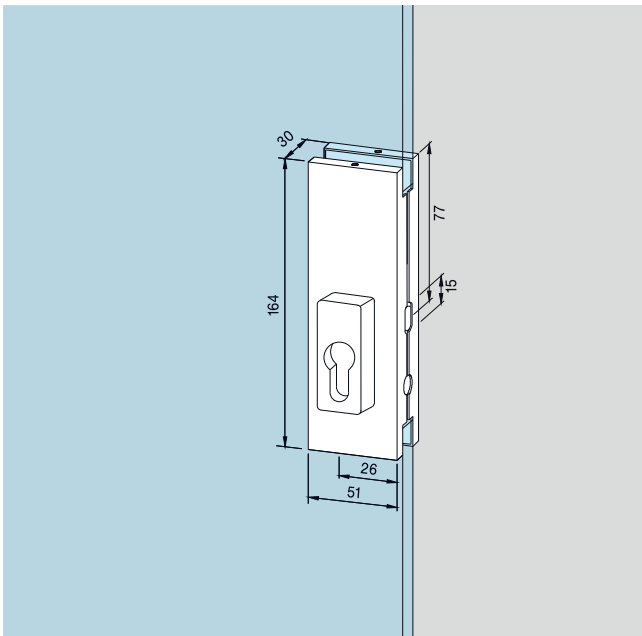
GK 42 strike box,
to suit US 10 corner lock,
angle 90°, with stop inside

Art. No. *03.274/03.275

Not illustrated:
angle 135°, without stop

Art. No. *03.276/03.277

Weight in kg:
aluminium 0.910
stainless steel 1.247



US 20 centre lock,
prepared for Europrofile
cylinder, single throw, bolt pro-
jection 20 mm, with security
rosettes 14 mm thick.

Lock insert:
– high corrosion resistance
according to EN 1670, class 4
– with regard to type-test
according to DIN 18251,
class 3**

For 10 mm glass thickness

Art. No. 03.215

For 12 mm glass thickness,
only in satin stainless steel

Art. No. 03.868

Not illustrated:
prepared for KABA

Art. No. 03.345

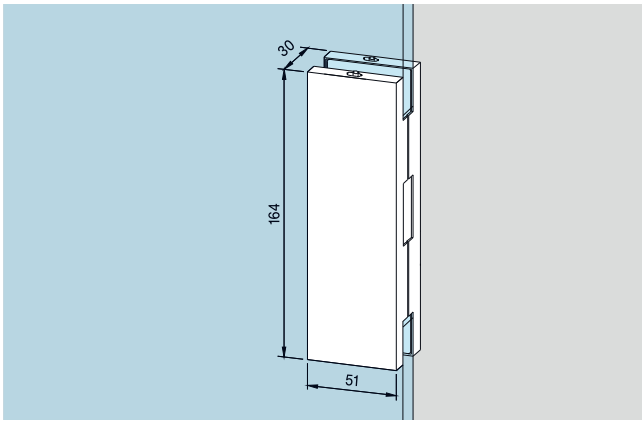
Prepared for half profile cylinder

Art. No. *03.290 / 03.289

Weight in kg:
aluminium 0.942
brass 1.061
stainless steel 1.053

* Order of Art.No.: left hand fin / right hand fin – determined by view from outside.

** Extract from DIN 18251, class 3: Type-test with 50,000 locking bolt operating cycles. Furthermore the lock was tested successfully by a neutral testing institute with 100,000 locking bolt operating cycles.



GK 50 strike box
to suit US 20 centre lock

For 10 mm glass thickness

Art. No. 03.224

For 12 mm glass thickness,
only in satin stainless steel

Art. No. 03.869

Weight in kg:

aluminium	0.602
brass	0.730
stainless steel	0.727

UNIVERSAL PINCH FREE

Completely pinch free double swing doors

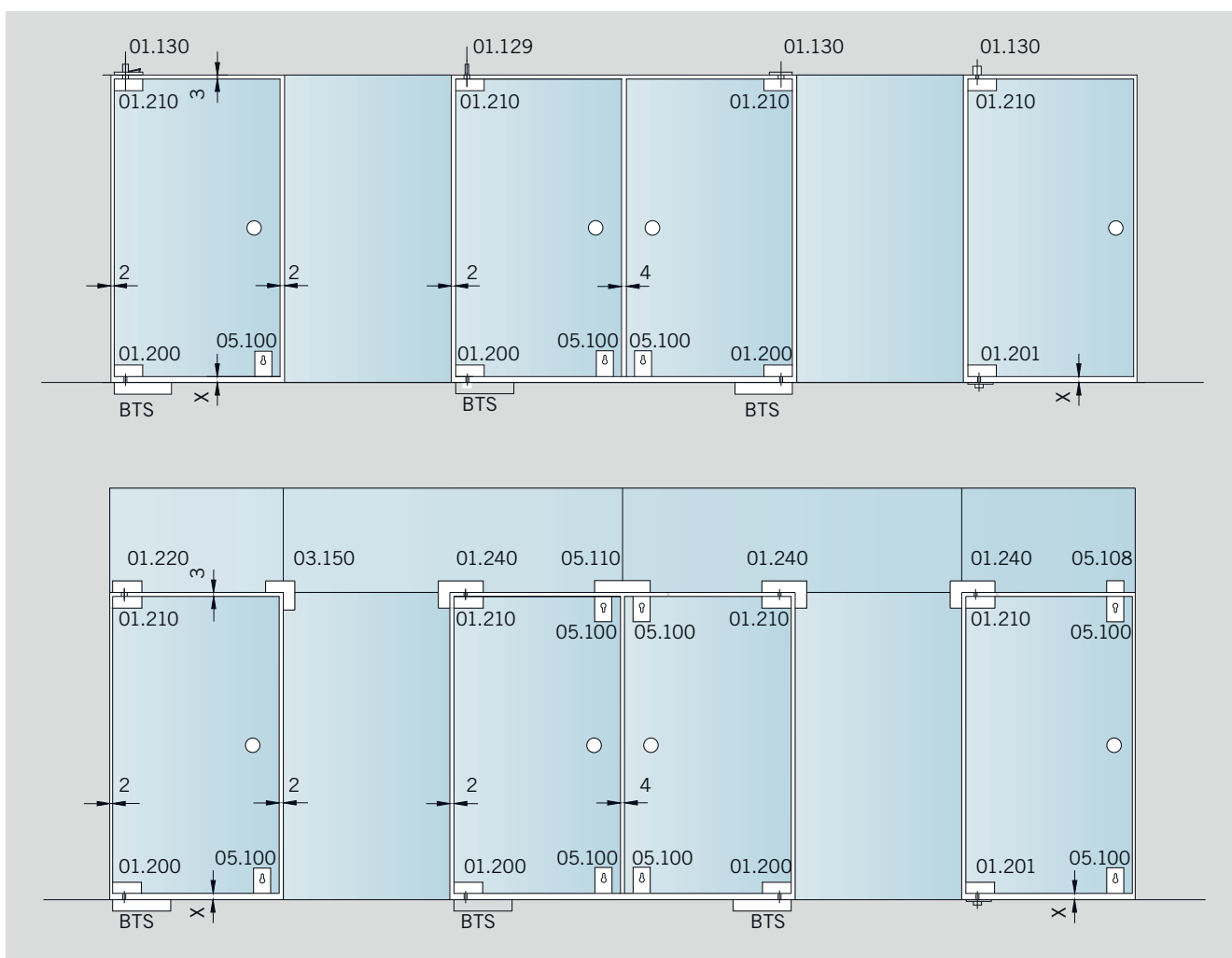
Universal pinch free patch fittings with their 15 mm pivot point help to resolve this problem by means of the closeness of the pivot point to the frame. In order to eliminate finger traps completely, the special radiused edging strip should be used.

Suitable for 10 mm and 8 mm glass thicknesses

DORMA Universal pinch free corner patches are supplied as standard with gasket to suit 10 mm glass.
For 8 mm glass, correspondingly thicker gasket is available.

TYPE SELECTION

Toughened glass assemblies with patches for pinch free centre hung doors. All standard assembly types see page 5.



BTS = Floor spring

X = 10 mm with
Art. No. 01.200

X = see page 41

for

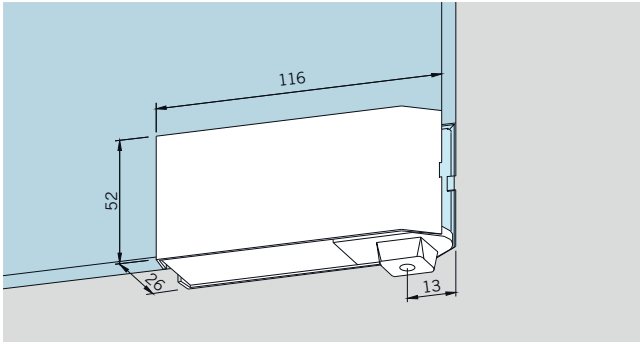
Art. No. 01.201

Maximum door weight and
width for patch fittings
max. door weight: 80 kg

max. door width: 1100 mm
For door weights up to 150 kg
and widths up to 1400 mm,
door rails should be used.

Torque for fixing screws
Screws M 6: 10 Nm (4 mm)*
Screws M 6: 15 Nm (5 mm)*
Screws M 8: 20 Nm (5 mm)*
*Allan key size

Pinch free patch fittings with 15 mm pivot point, complete,
for 10 mm glass thickness
Accessories see page 137.

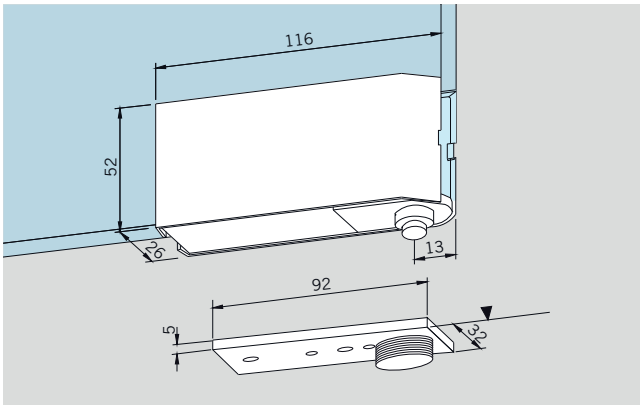


Bottom patch

complete with spindle insert for
DORMA BTS floor spring

Art. No. 01.200

Weight in kg:
aluminium 0.473
stainless steel 0.535

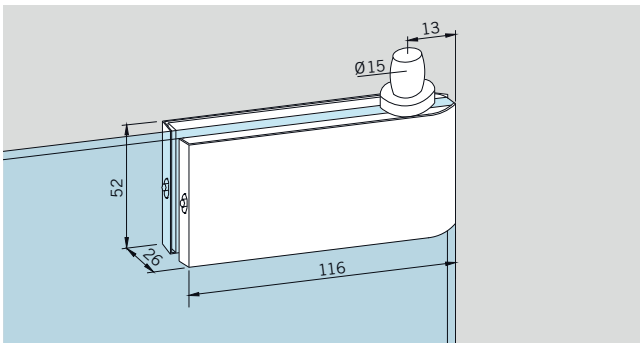


Bottom patch

complete with pivot insert and
pivot bearing, with cover plate,
height adjustable by 5 mm;
floor clearance see page 41

Art. No. 01.201

Weight in kg:
aluminium 0.560
stainless steel 0.622

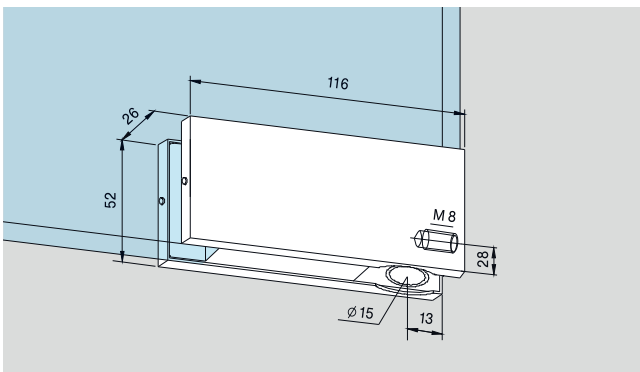


Top patch fitting

with pivot pin 15 mm Ø

Art. No. 01.210

Weight in kg:
aluminium 0.453
stainless steel 0.526

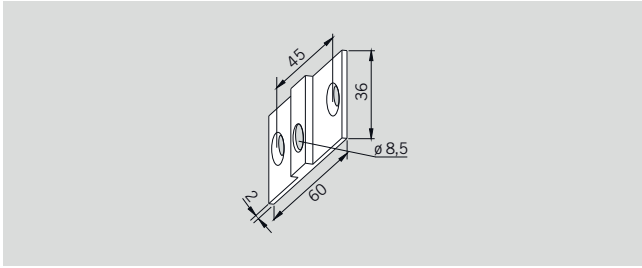


Overpanel patch

with 15 mm Ø pivot pin
and threaded hole at side

Art. No. 01.220

Weight in kg:
aluminium 0.262
stainless steel 0.335

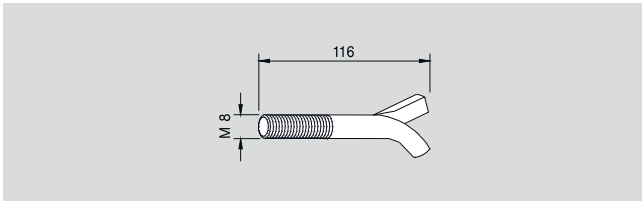


Fixing plate
for overpanel patch EP

Art. No. 01.127

Weight in kg:
aluminium 0.019
brass 0.045

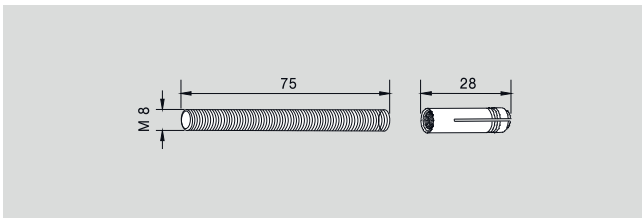
Stainless steel not available,
satin chrome on brass supplied.



Wall anchor
with thread M 8 for overpanel
patch

Art. No. 01.133

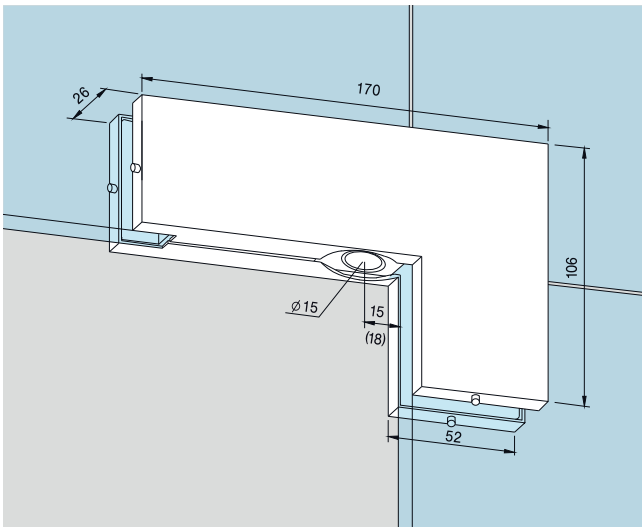
Weight in kg: 0.040



Threaded rod
M 8 with plug for overpanel
patch

Art. No. 01.134

Weight in kg: 0.032



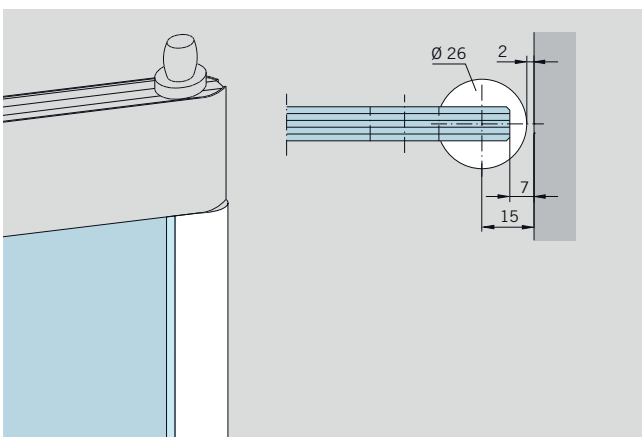
**Patch for overpanel and side-
light** with plastic socket for
15 mm Ø pivot pin, pivot point
15 mm in combination with
patch fittings

Art. No. 01.240

Not illustrated:
pivot point 18 mm
in combination with door rails

Art. No. 01.245

Weight in kg:
aluminium 0.542
stainless steel 0.547



Radiused edging strip*
for pinch free doors, (strip is
clamped onto free glass edge),
acrylic.

Art. No. 01.231

Length: up to 4500 mm
(please specify height)

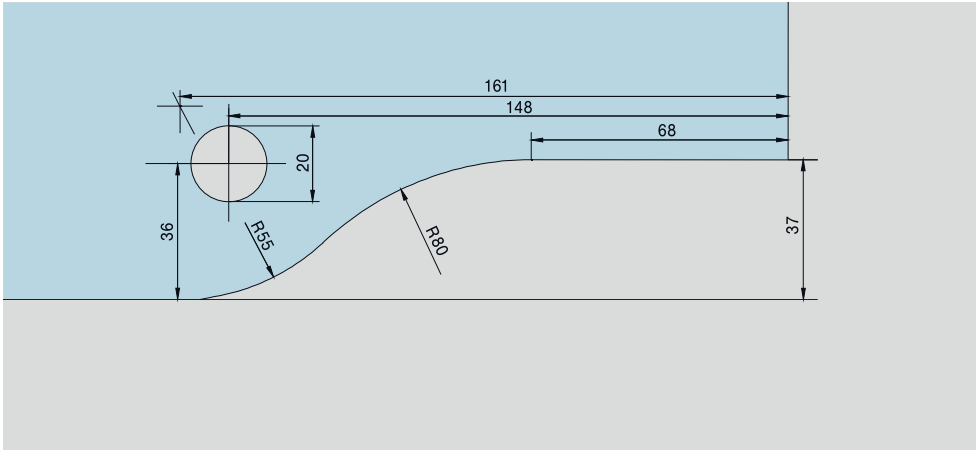
Art. No. 01.230

Length: 2250 mm

Weight in kg/m: 0.408

* Important information: If radiused edging strip is used, special glass preparation is necessary (see page 39).

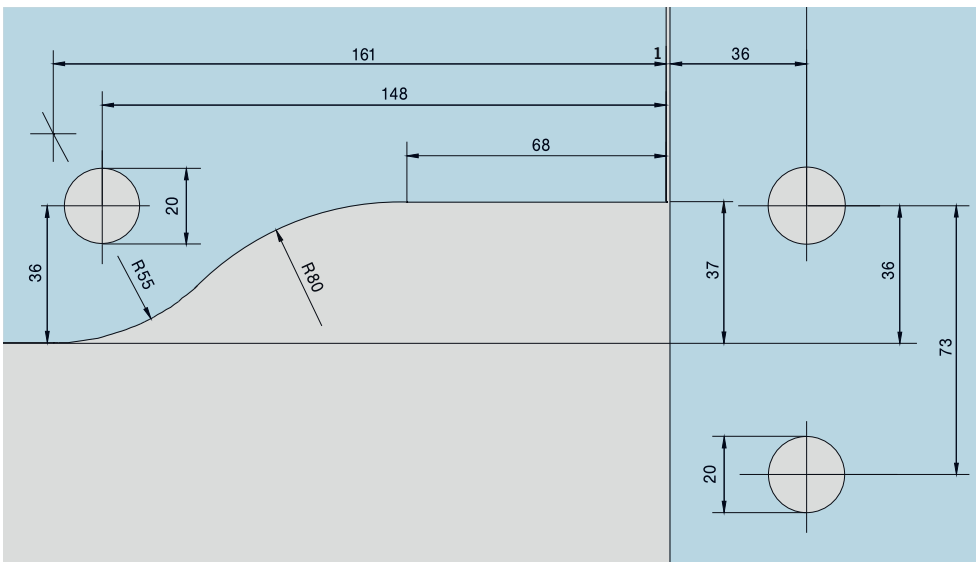
GLASS PREPARATION FITTINGS



PT 10, PT 20, PT 22, PT 29, PT 30

Top and bottom patches, overpanel patch
 Art. No. 03.100, 03.110, 03.114, 03.120, 03.212, 03.280, 03. 281, 03.282, 03.420, 03.421

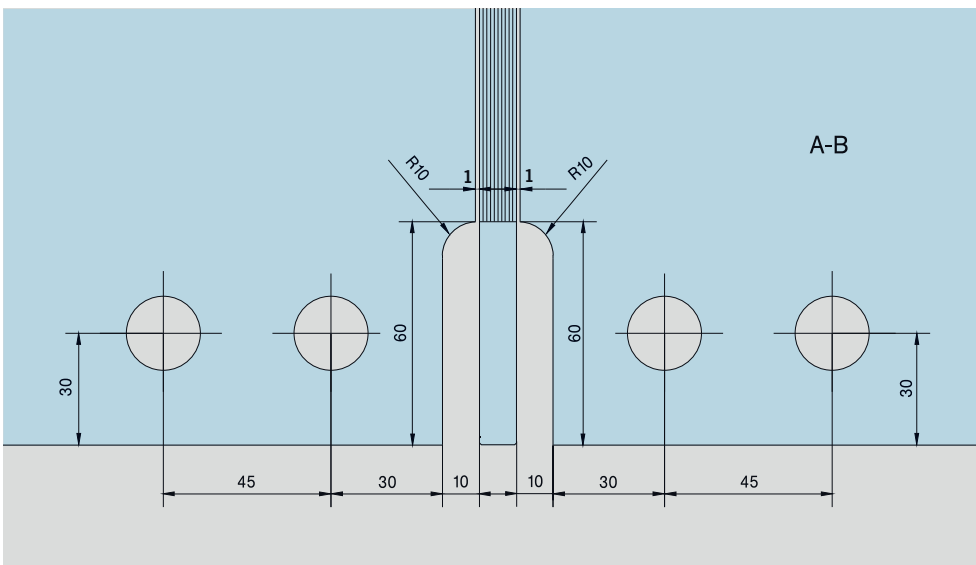
Scale 1 : 2



PT 40

Patch for overpanel and sidelight
 Art. No. 03.140, 03.283, 03.440, 03.441

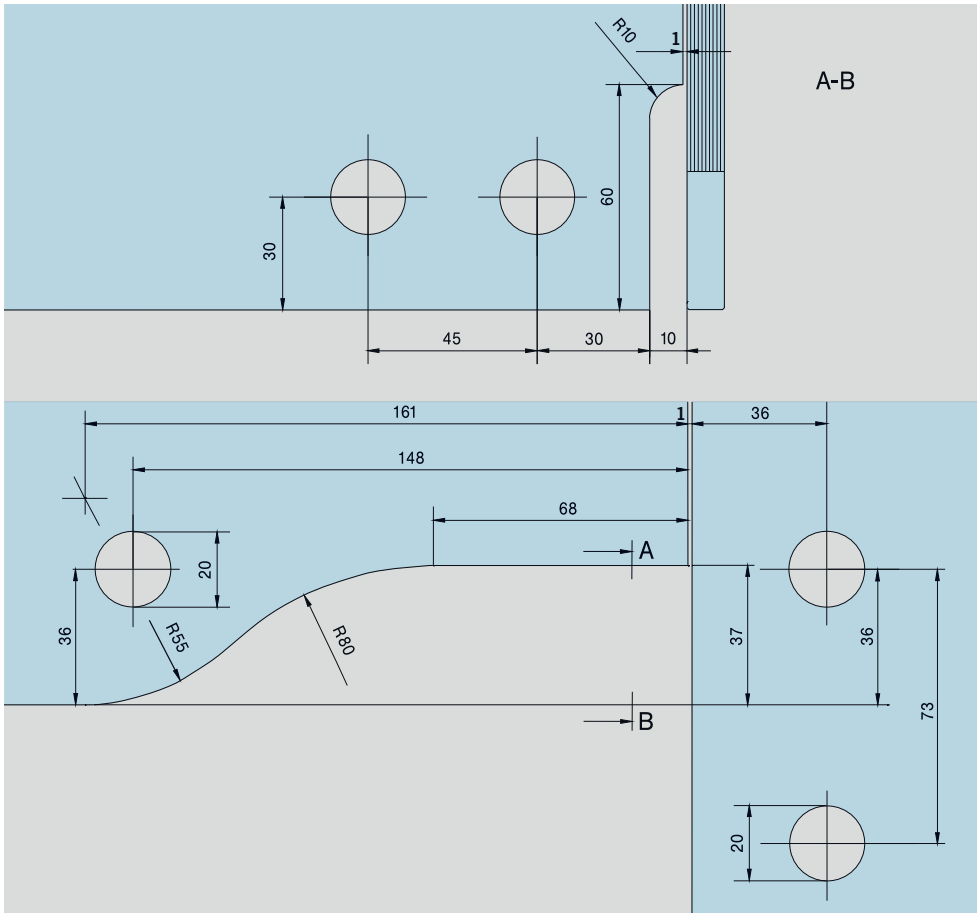
Scale 1 : 2



PT 41, GK 41

Patch for overpanel and sidelight with fin fitting on both sides
 Art. No. 03.161, 03.195

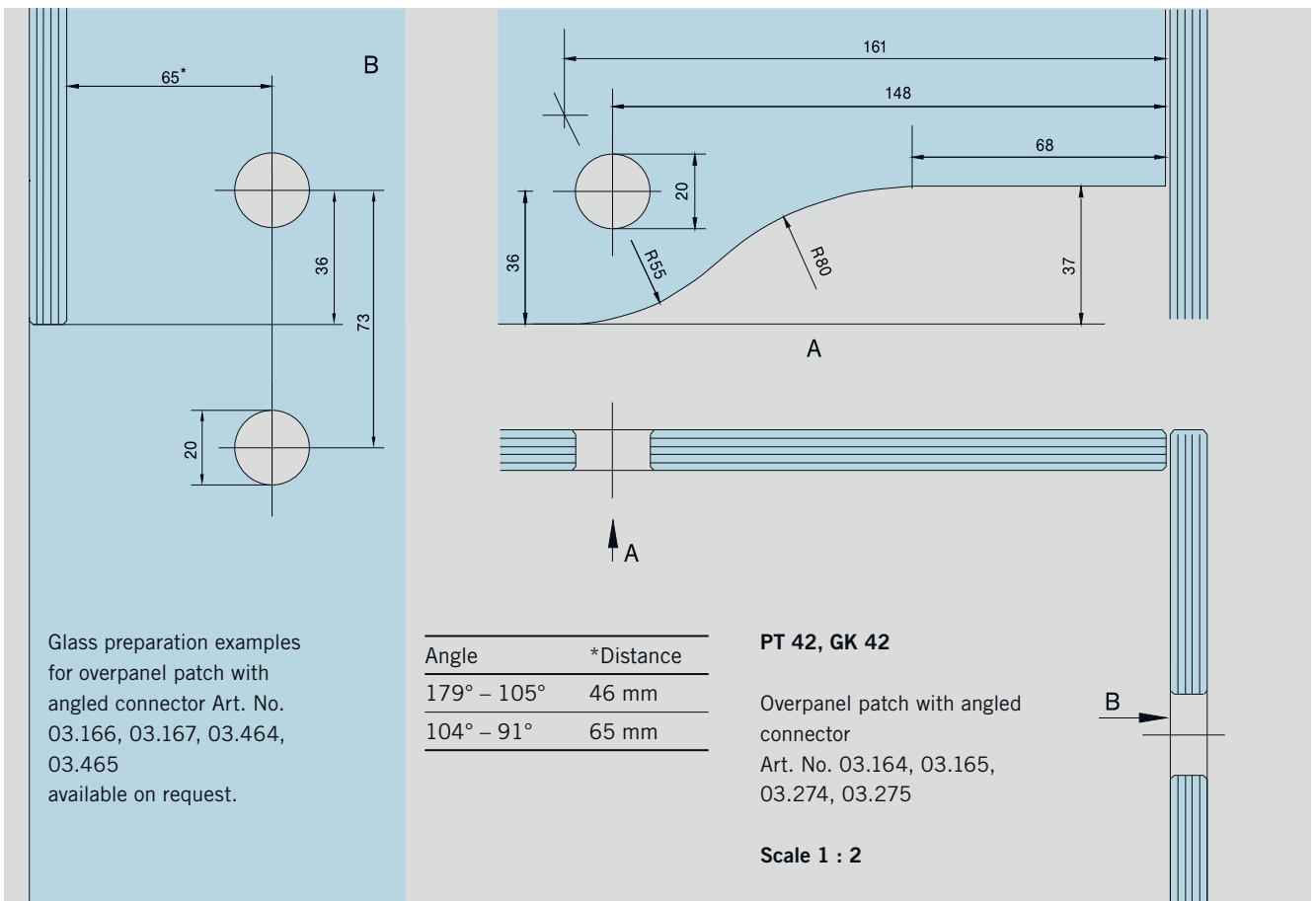
Scale 1 : 2

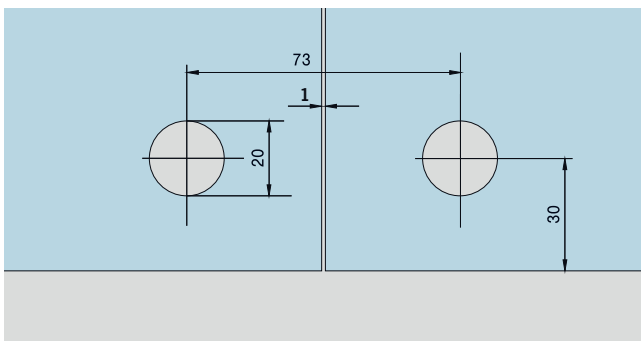
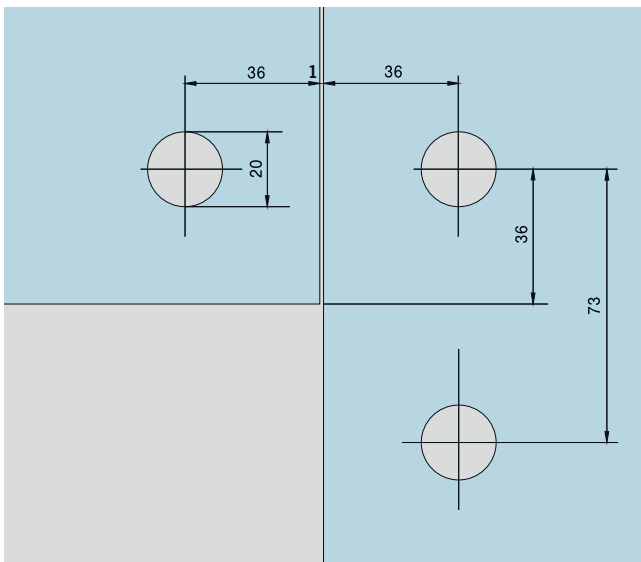
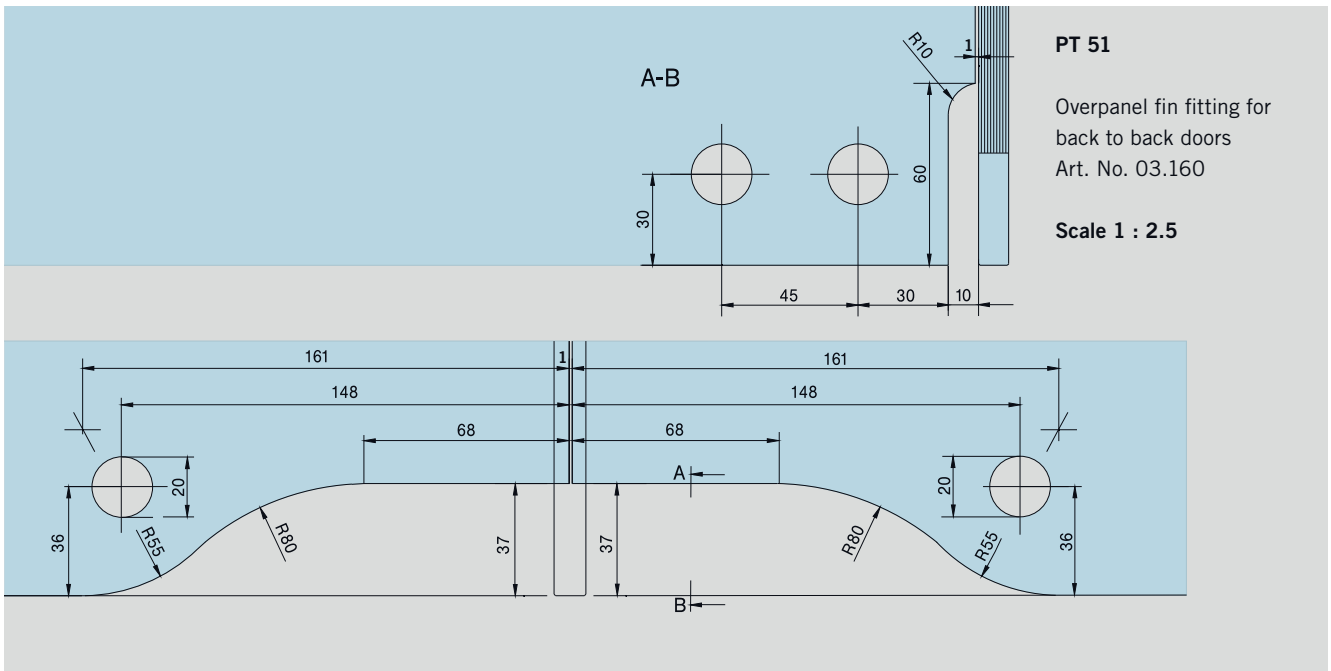


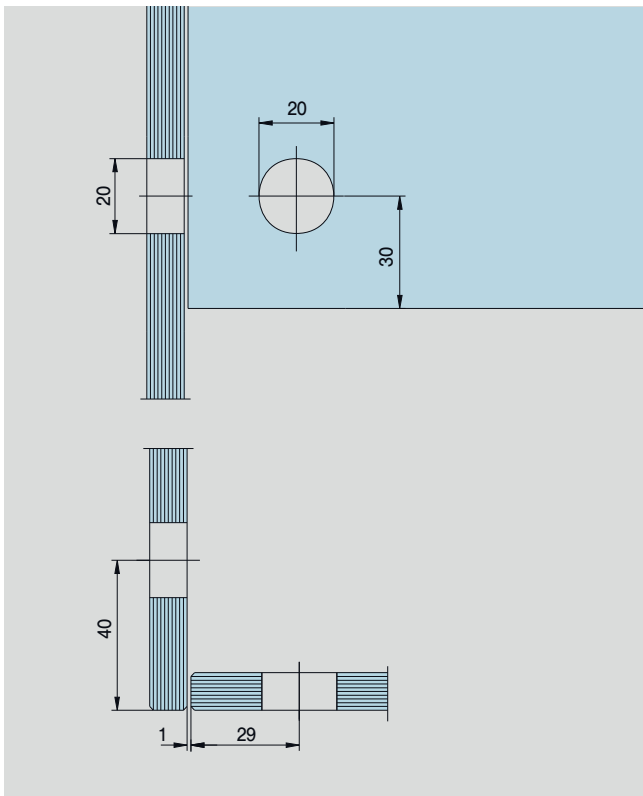
PT 41, GK 41

Patch for overpanel and side-light with fin fitting inside
Art. No. 03.162, 03.163, 03.193, 03.194

Scale 1 : 2





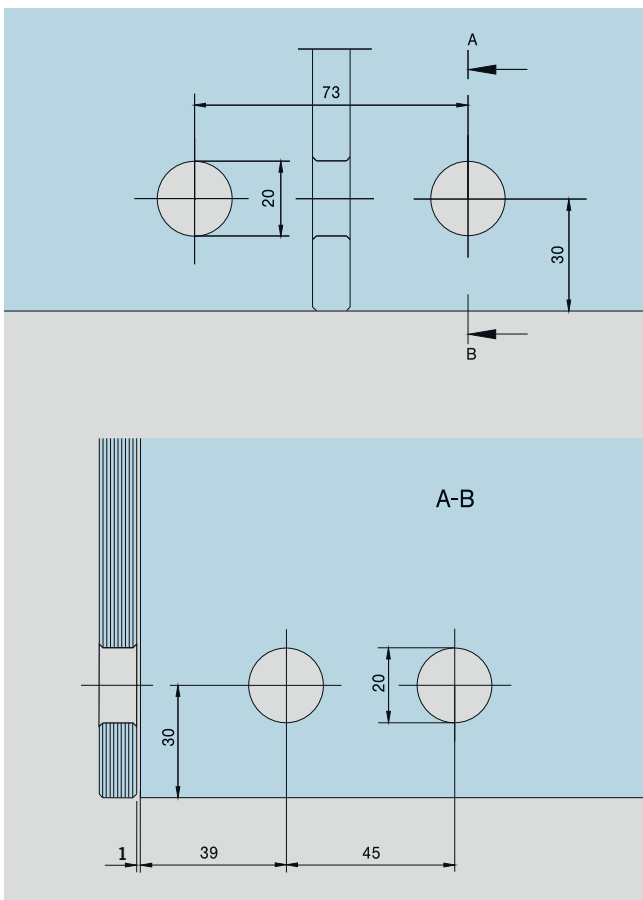


PT 70

Connectors for overpanels and
sidelights, 90°
Art. No. 01.156

Glass preparation examples for
angles between 91° – 179°
available on request.

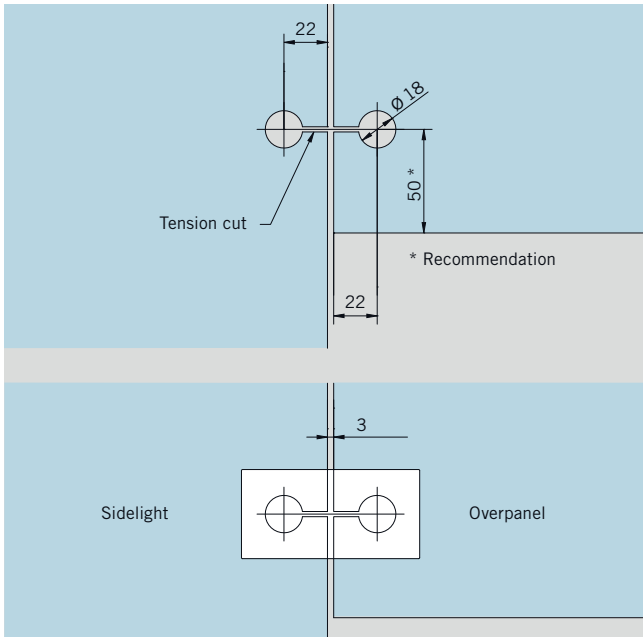
Scale 1 : 2



PT 71

Overpanel connector with
fin fitting
Art. No. 01.161

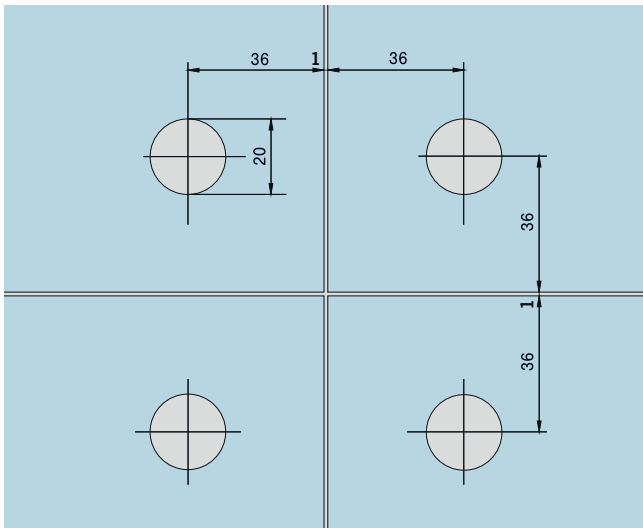
Scale 1 : 2



Overpanel-sidelight connector

Art. No. 12.536

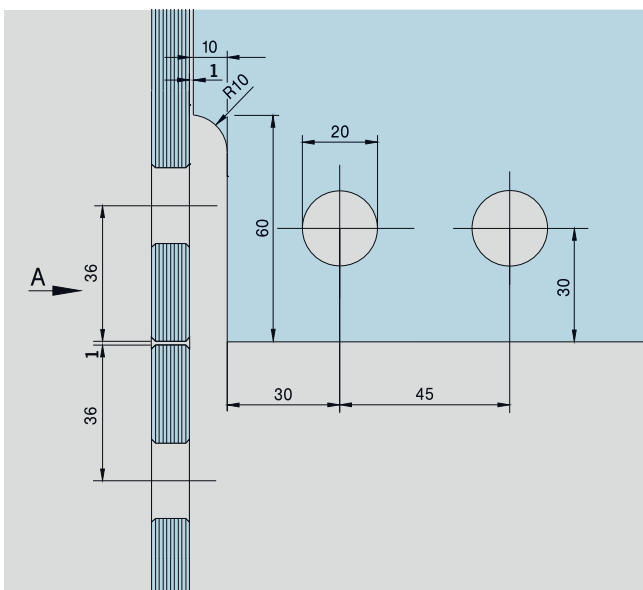
Weight in kg:
aluminium 0,146



PT 80

Connector
Art. No. 03.170, 03.472

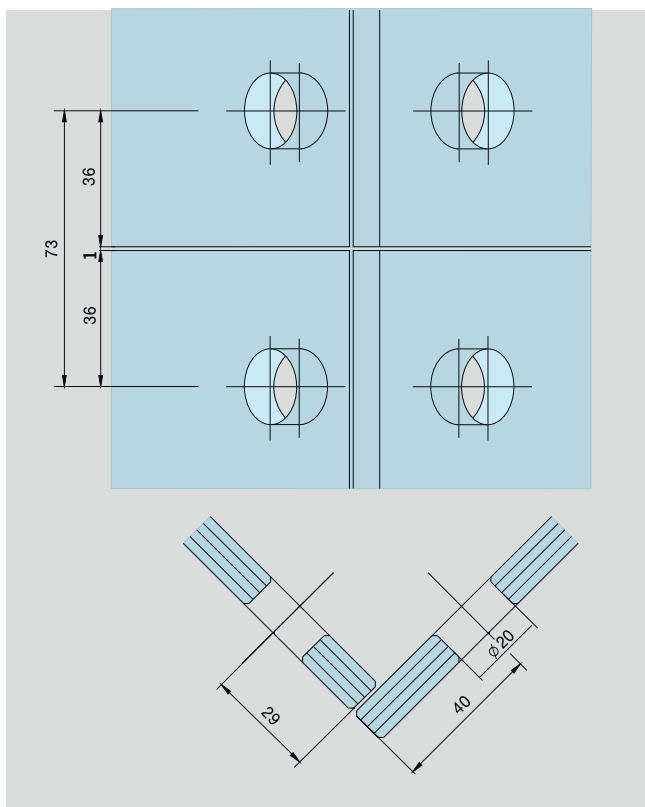
Scale 1 : 2



PT 81

Connector with
fin fitting
Art. No. 03.175

Scale 1 : 2

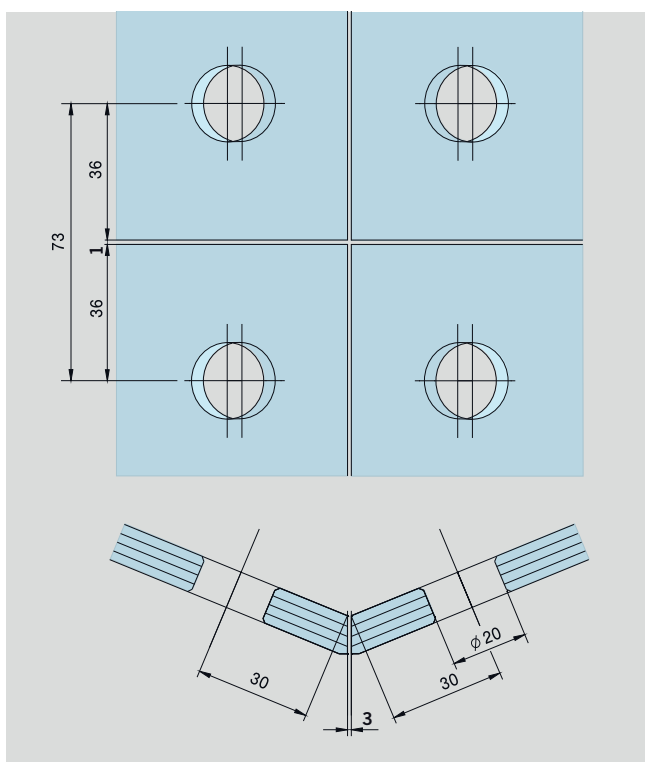


PT 80

Angled connector, 90°
Art. No. 03.171

Glass preparation examples
for angles between
91° – 134° / 136° – 179°
available on request.

Scale 1 : 2

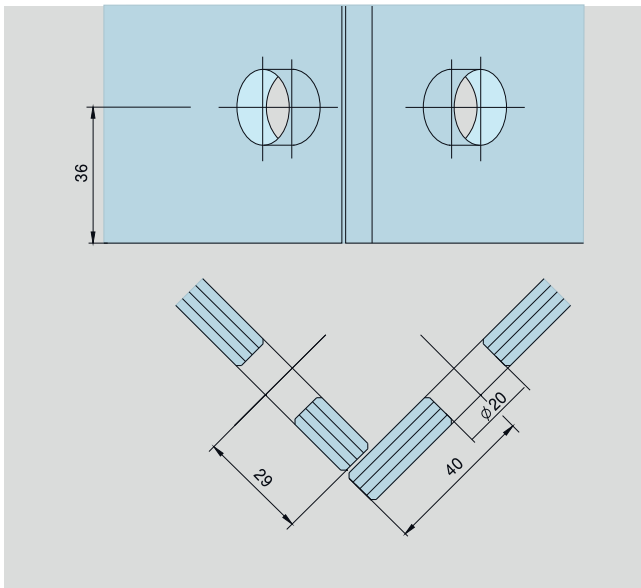


PT 80

Angled connector, 135°
Art. No. 03.172

Glass preparation examples
for angles between
91° – 134° / 136° – 179°
available on request.

Scale 1 : 2

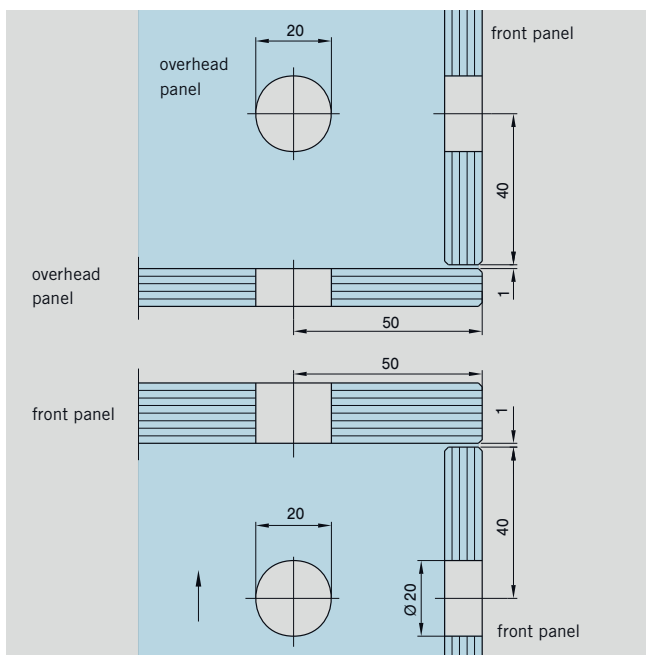


PT 80 shortened

Angled connector, 90°
shortened
Art. No. 03.470

Glass preparation examples
for angles between
91° – 134° / 136° – 179°
available on request.

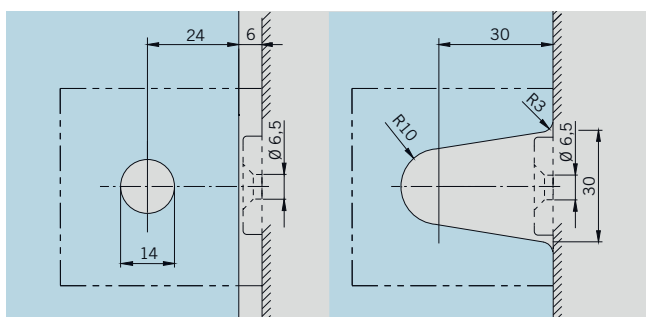
Scale 1 : 2



Three way box corner connector

angle 90°
Art. No. 03.198

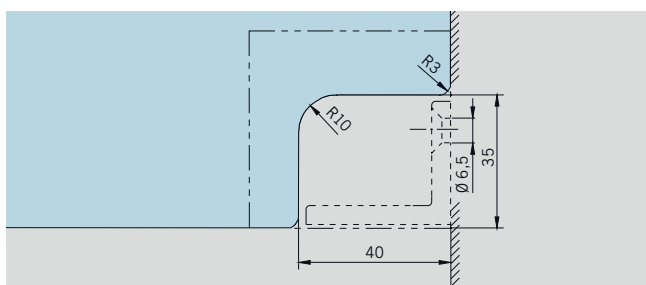
Scale 1 : 2



PT 90

Screw on fitting
Art. No. 07.021

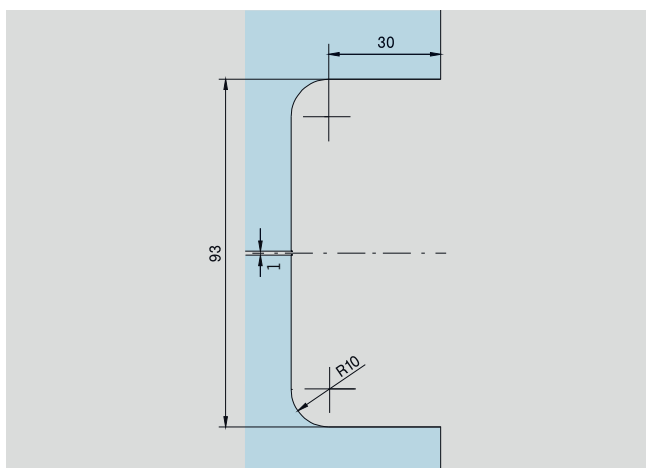
Scale 1 : 2



PT 91

Corner fitting
Art. No. 07.023

Scale 1 : 2

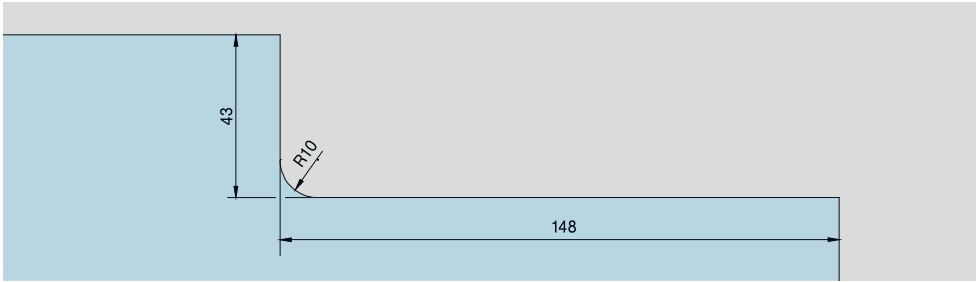


Side connector

with fixing plate
Art. No. 01.153

Scale 1 : 2

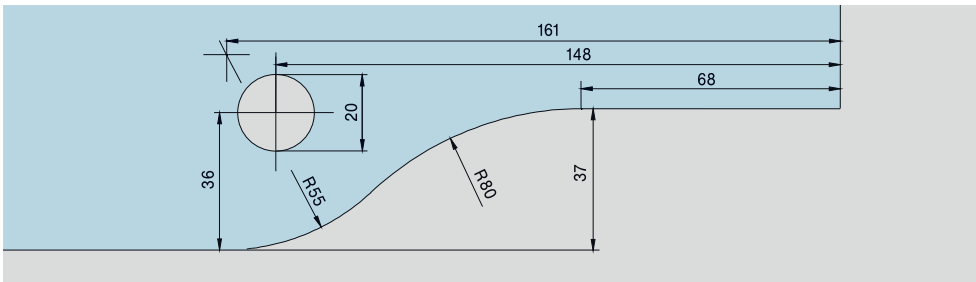
GLASS PREPARATION LOCKS



US 10

Corner locks
Art. No. 03.206, 03.285,
03.287, 03.288, 03.340

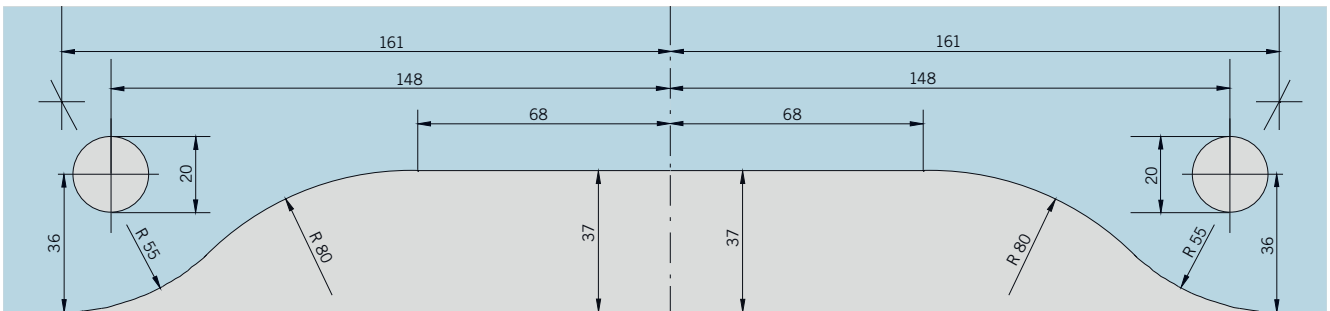
Scale 1 : 2



GK 30 (PT 30)

Single overpanel strike box
Art. No. 03.230, 03.234,
03.235

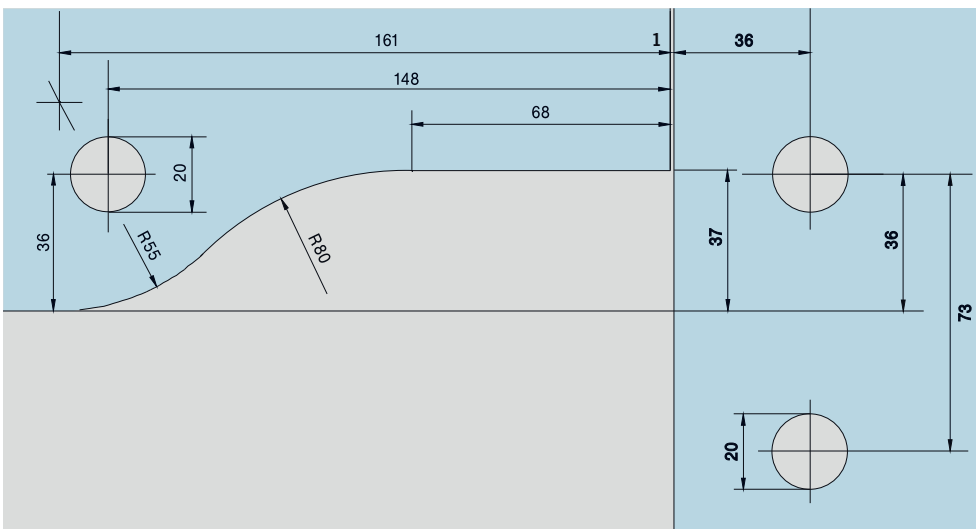
Scale 1 : 2



GK 20

Double overpanel strike box
Art. No. 03.245, 03.247

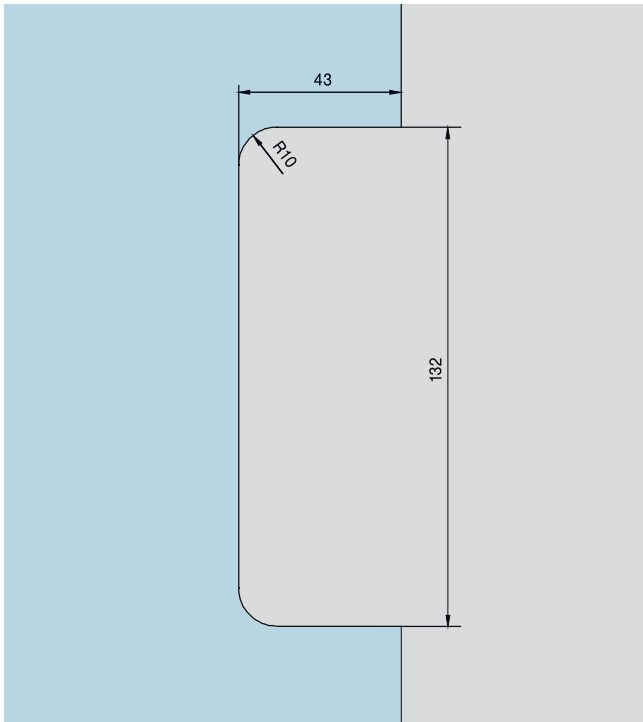
Scale 1 : 2



GK 40 (PT 40)

Corner overpanel
strike box
Art. No. 03.250, 03.254,
03.255

Scale 1 : 2



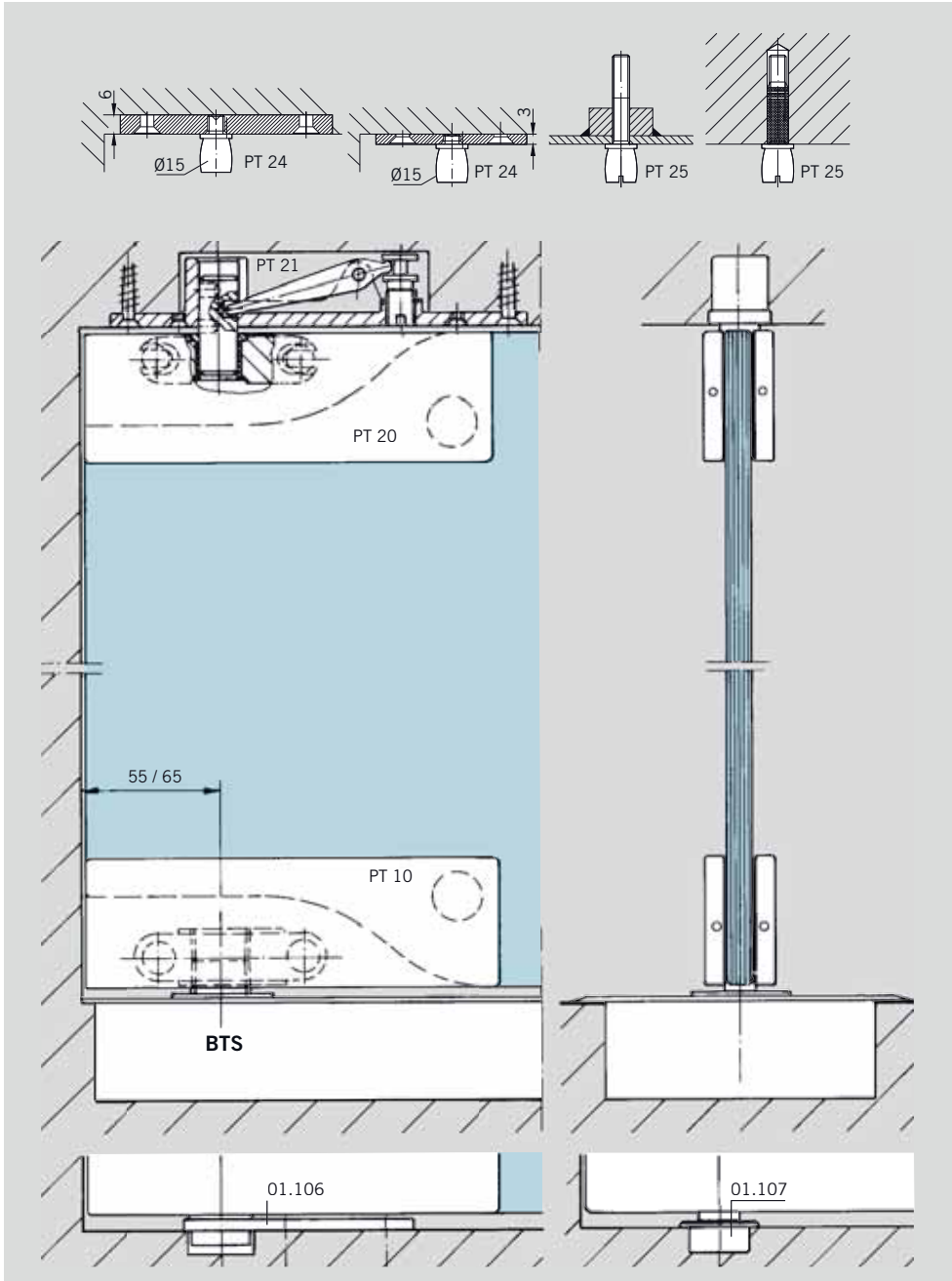
US 20, GK 50

Centre lock
Art. No. 03.215, 03.345,
03.289, 03.290

and strike box to suit
centre lock
Art. No. 03.224

Scale 1 : 2

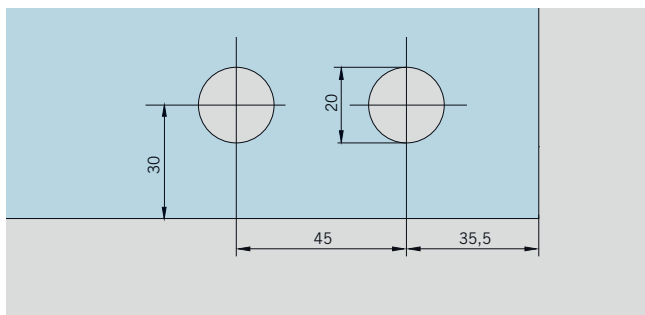
FIXING OF PIVOTS AND TOP CENTRES



Fixing of top pivots and top centres for PT 20.

Fixing of floor springs, pivot bearings for PT 10.

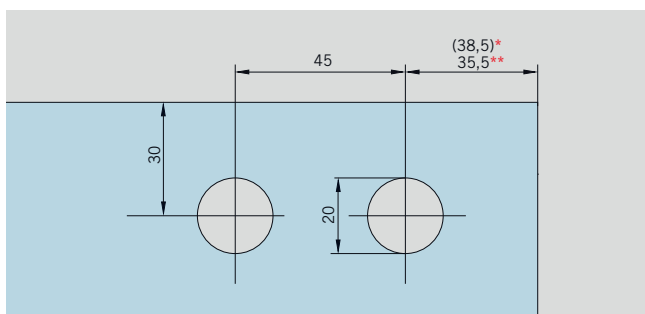
GLASS PREPARATION



Bottom patch fitting

Art. No. 01.200, 01.201

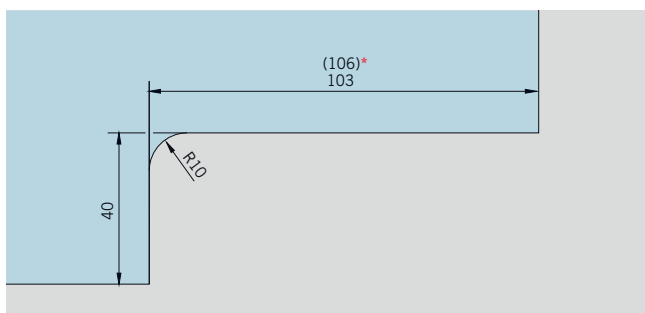
Scale 1 : 2



Top patch fittings

Art. No. 01.210*

Scale 1 : 2



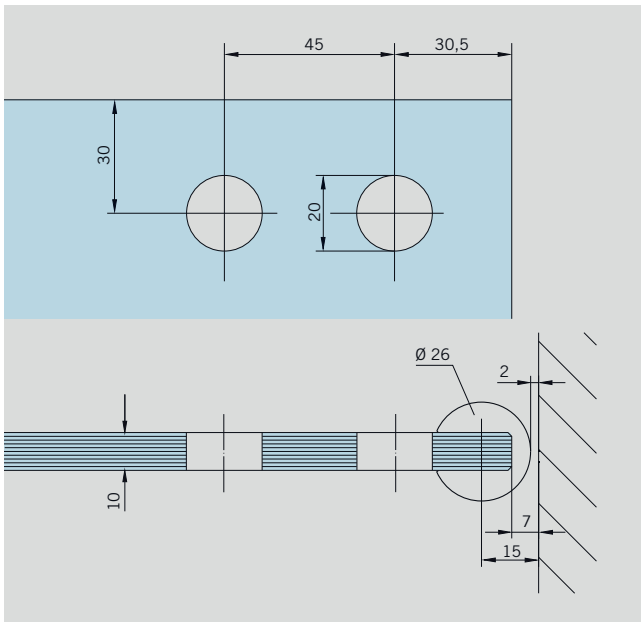
Overpanel patch fittings

Art. No. 01.220*

Scale 1 : 2

* When used in conjunction with pinch free bottom rail, with 18 mm pivot point

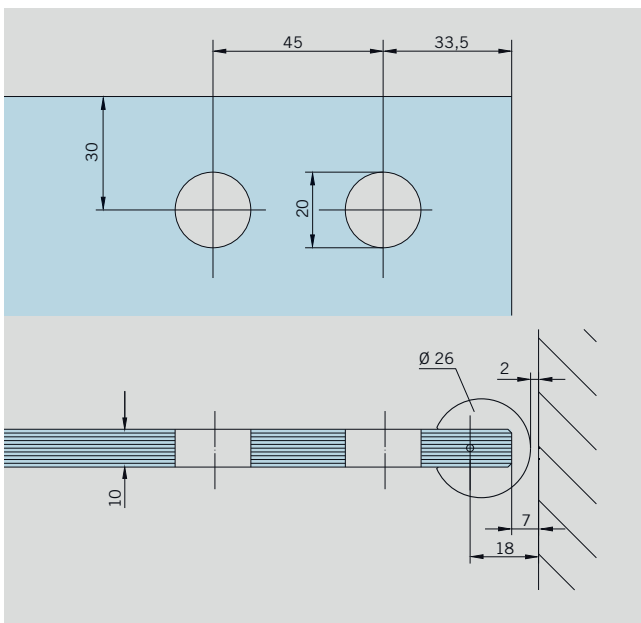
** Important information:
If radiused edging strip is used, special glass preparation is necessary. (see page 41).



Top and bottom patch fittings

Art. No. 01.200, 01.201 and 01.210,
in conjunction with radiused
edge strip
Art. No. 01.021.001.00

Scale 1 : 2

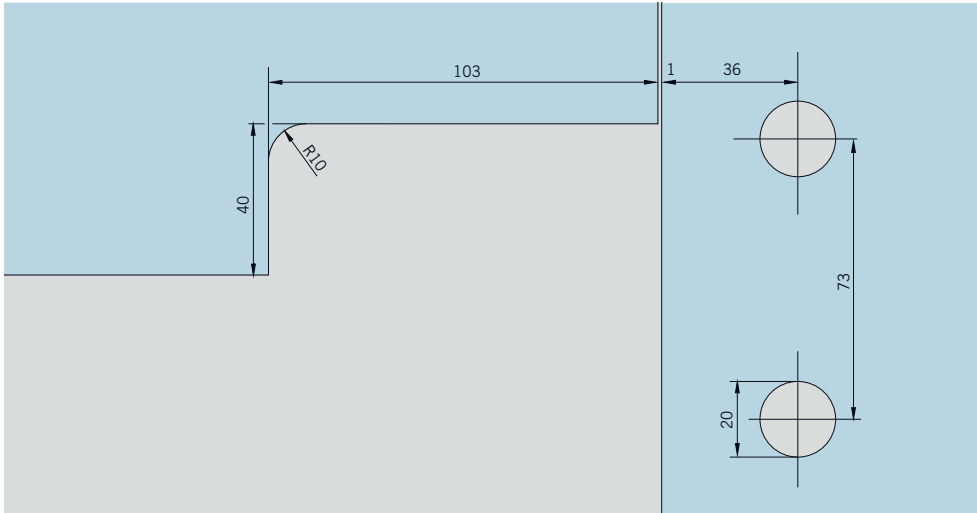


Top patch fitting

Art. No. 01.210
in conjunction with bottom rail
and radiused edge strip
Art. No. 01.021.001.00

Scale 1 : 2

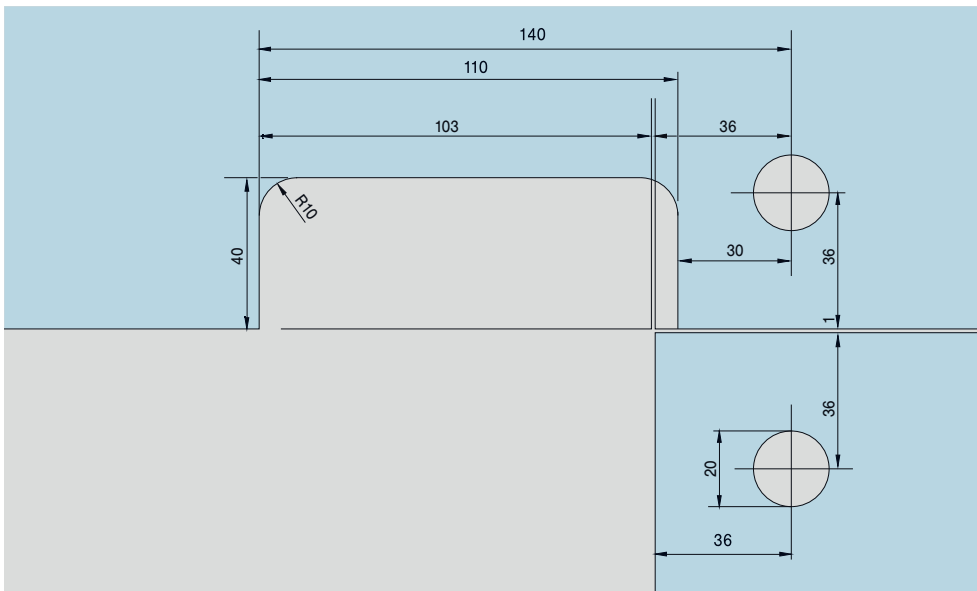
OVERPANEL AND SIDELIGHT



Divided overpanel

Art. No. 01.240, 01.245

Scale 1 : 2

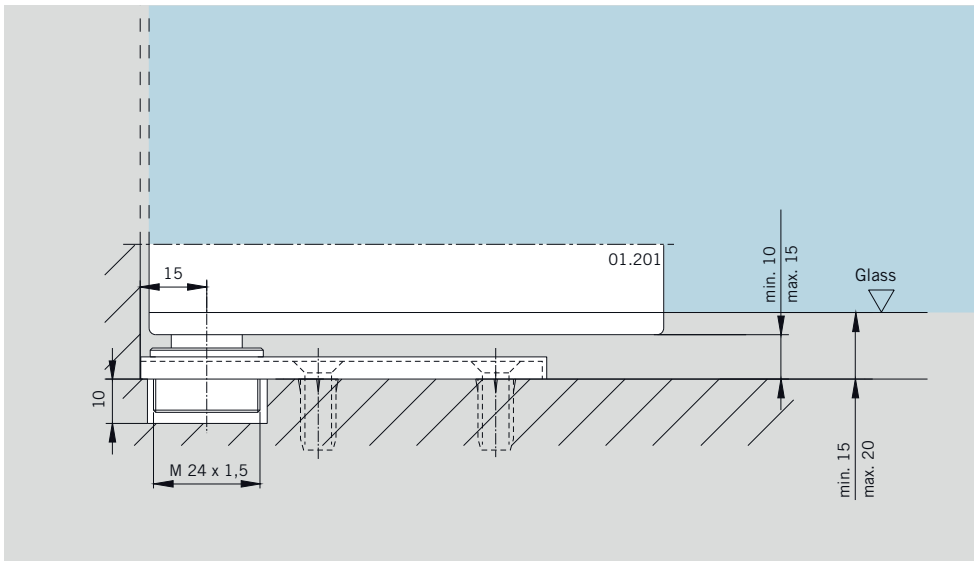


Undivided overpanel

Art. No. 01.240, 01.245

Scale 1 : 2

CONSTRUCTION DETAILS



Using the bottom patch on pivot bearing with cover plate (Art. No. 01.201) the air gap between floor and glass is 15–20 mm (by height adjustability). To reduce the air gap to 10 mm: Embed base plate into the floor.

RP

General information

44

Patch fittings RP

46

Accessories

132

Safety-related information

157

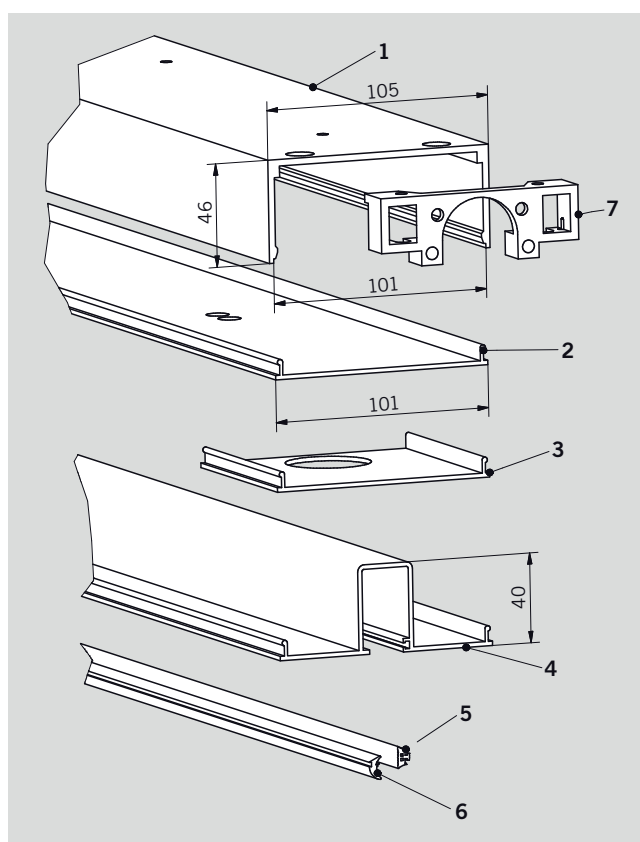


MARVELLOUSLY CONCEALED TRANSOM DOOR CLOSERS

The RP pivot door system works with a tubular transom profile in which the DORMA RTS transom closer is integrated and concealed. The system is fixed on the ceiling using brackets which are concealed after system installation. A top patch fitting (PT 22) attaches the all-glass door to the closer.

A bottom patch fitting (PT 10) connects the door to the floor pivot, which measures only a few centimetres. So glass thicknesses of 8 – 12 mm are feasible. The DORMA RTS transom closer not only returns the door to the zero position each time it is opened, it also has a special dampening system to

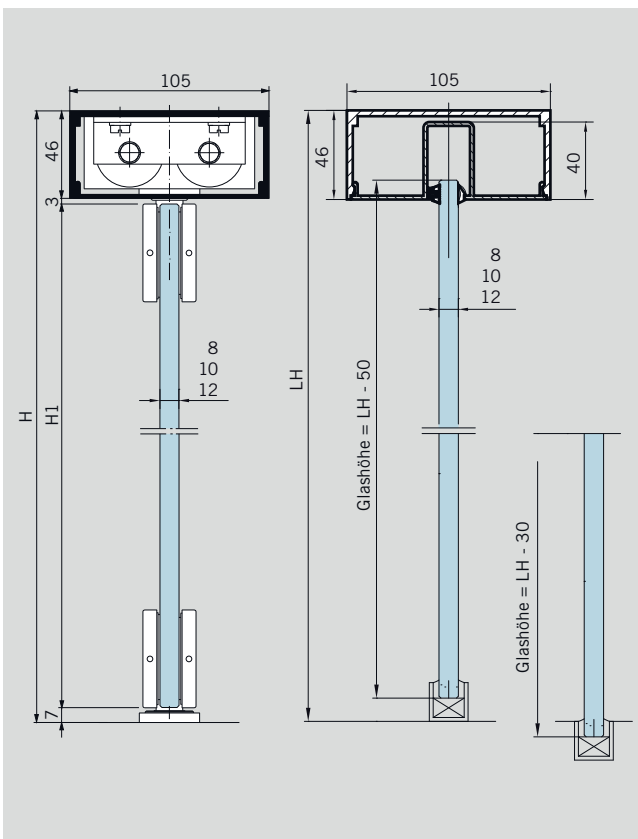
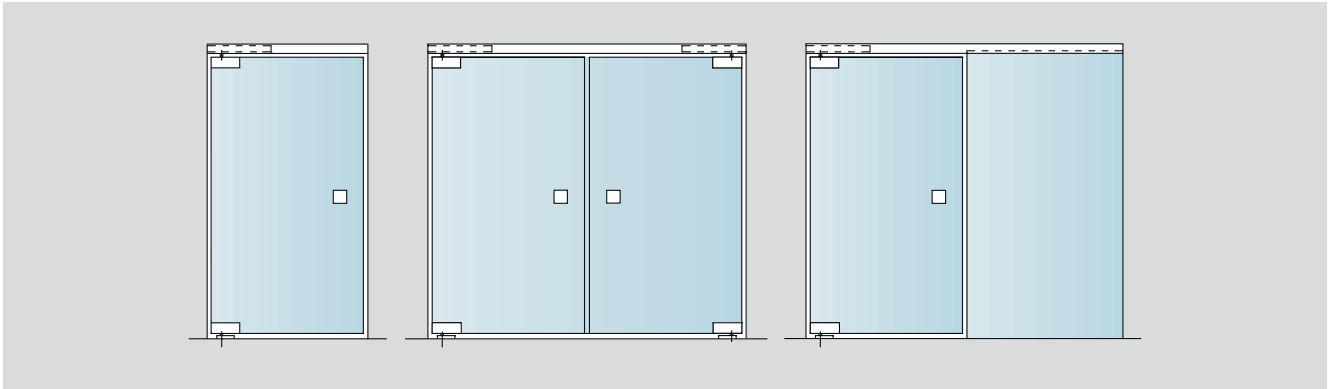
protect the door against unwanted impact caused by over-aggressive opening. In addition, the integral hold-open, which also comes as standard, enables the door to be held open at an angle of 90°.



Transom tube configuration:

- 1 Transom tube for fixing on ceiling, as lintel or similar, max. length 3000 mm
- 2 Cover profile for door, clip-on, max. length 3000 mm
- 3 Cover plate with cut-out for door closer spindle, length 90 mm
- 4 Cover profile for fixed sidelights, clip-on, with glazing groove
- 5/6 Contact profile / glass wedge profile, depending on combination for 8, 10 or 12 mm glass thicknesses of the sidelight
- 7 Fixing bracket for securing transom tube and closer

TYPE SELECTION



Options

- Single leaf double-action door with transom tube
- Pair of double-action doors with transom tube
- Double-action door with through-running transom tube and fixed sidelight

Materials and finishes

- Aluminium, silver anodised EV 1, C 0 (101)
- Aluminium, similar satin stainless steel anodised (113)
- Aluminium, white powder coated, similar to RAL 9016 (300)
- Bespoke colour anodising (199)
- Bespoke powder coating (399)

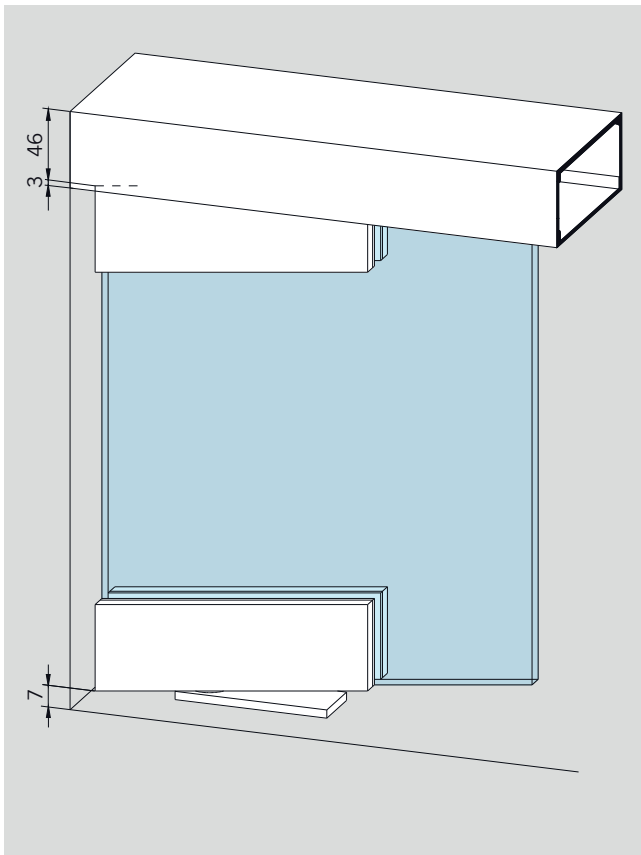
Door panel dimensions

- Glass thicknesses: 8 / 10 / 12 mm
- Max. door weight: 80 kg
- Max. door width: 1100 mm
- Door height (H1): H - 56 mm

Sidelight dimensions

- Glass thickness: 8 / 10 / 12 mm with two-part sealing profile
- Sidelight height: H - 30 mm + floor pocket, where required

DOUBLE ACTION SYSTEM FOR GLASS DOORS

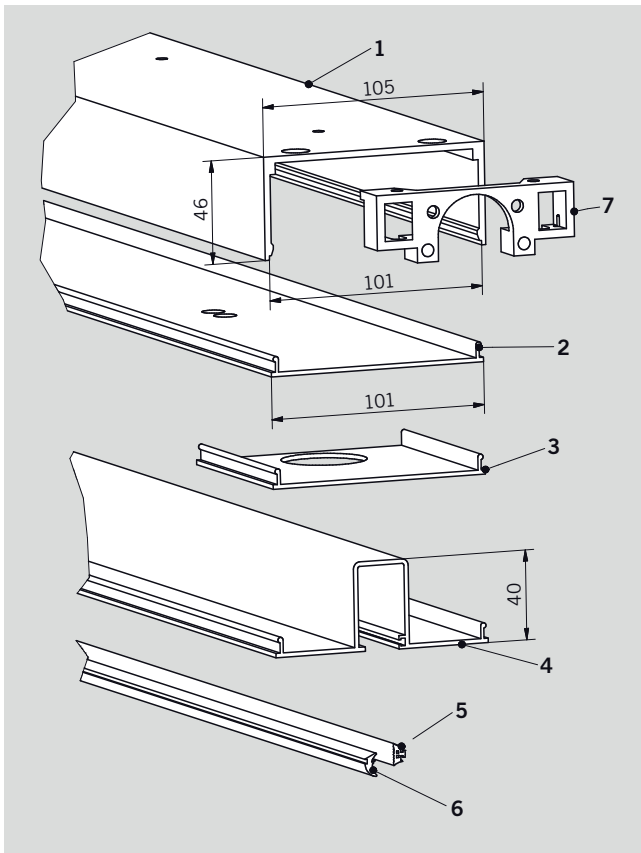


Double action system for glass doors

complete, consisting of
1 transom tube length
1000 mm;
1 cover profile length
1000 mm;
1 RTS 85 transom closer;
EN3, hold open 90°
1 fixing bracket;
1 bottom patch fitting PT 10;
1 top patch fitting PT 22;
1 floor pivot bearing

Art. No. 01.300

Weight in kg: 8.083



1 Transom tube
for fixing at ceiling,
as lintel, or similar,

stock length 6000 mm
in fixed lengths

Art. No. 01.301

Art. No. 01.311

Weight in kg/m: 1.620

2 Cover profile
for door area, clip-on

stock length 6000 mm
in fixed lengths

Art. No. 01.302

Art. No. 01.305

Weight in kg/m: 0.610

3 Cover plate
with cut-out for door closer
spindle

length 90 mm

Art. No. 01.303

Weight in kg: 0.056

4 Cover profile with glass groove
to clip on Art.No. 01.301/
311, to hold fixed sidelights
inclusive

5/6 Contact profile or
glass wedge profile in
2 resp. 4 mm thicknesses,
depending on combination
for 8, 10 or 12 mm glass
thickness of the sidelight

stock length 6000 mm
in fixed lengths

Art. No. 01.304

Art. No. 01.314

Weight in kg/m: 0.810

7 Fixing bracket
for securing transom
tube and closer

Art. No. 01.306

Weight in kg: 0.080

EA

General information

50

EA patch fittings for offset hung doors, 24 mm frame stop depth

52

EA patch fittings for offset hung doors, various frame stop depths

54

EA patch fittings for offset hung doors in toughened glass assemblies

56

Top centres for wood and steel frames

58

Glass preparation details

60

Accessories

132

Safety-related information

157



THE EXPANSIVE RANGE WITH SLIMLINE BODIES FOR OFFSET HUNG DOORS

EA patch fittings are characterized by their slim, neat shape and skilful hinge design. This comprehensive range of fittings allows the transparent elegance of single-action doors to reach their full potential – whether hung in frames or integrated in toughened glass assemblies.

Easy glass preparation secure fixing

DORMA-Glas has an intimate knowledge of the special properties of glass as a building material. This has led to the design of fittings requiring only minimal glass preparation – a quick and easy cut out with additional holes. Carefully

considered and positive measures have been taken to create the maximum clamping surface with optimum clamping efficiency.

Suitable for 10, 12 and 8 mm glass thicknesses

DORMA EA patch fittings are available for 10 and 12 mm glass thicknesses. With additional gaskets these fittings can also be used for 8 mm glass.

Reliability built in

Quality materials and thorough workmanship mean that EA patch fittings have the features necessary to meet the most demanding of specifications.

Matching range of locks

The EA range includes a variety of locks and strike boxes in a matching design concept, giving the designer plenty of choice from the options available.

Virtually unlimited choice of colours and finishes

EA corner patches are available in the following finishes

- Aluminium, silver anodised EV 1, C 0 (101)
- Aluminium, similar satin stainless steel (107)
- Brass, polished chromed (501)
- Brass, polished (503)
- Bespoke colour anodising (199)

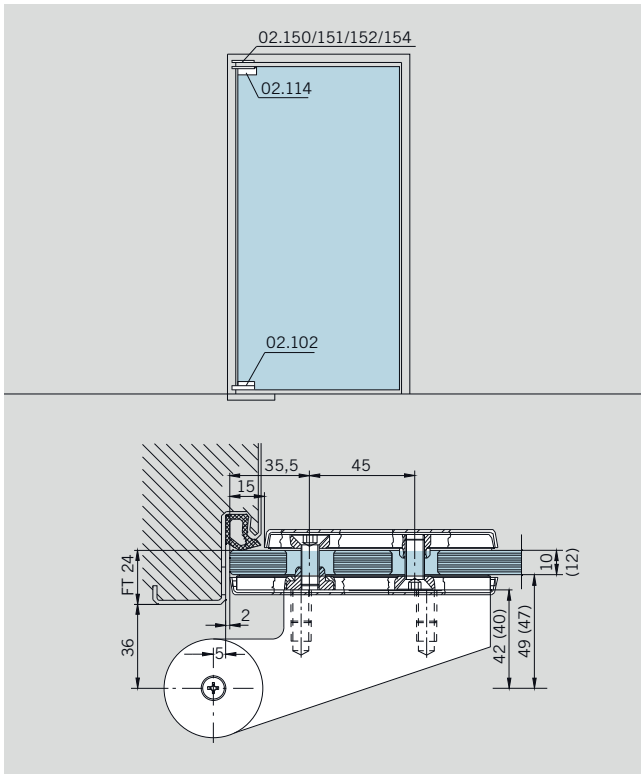
- Bespoke powder coating (399)

Short delivery times

All the common patterns and types are available ex-stock (factory). Specials will be prepared promptly.



OFFSET HUNG DOORS IN REBATED FRAMES AND TOUGHENED GLASS ASSEMBLIES



Offset hung doors in rebated frames

max. door weight: 90 kg
 max. door width: 1000 mm,
 using a bottom door rail:
 1100 mm

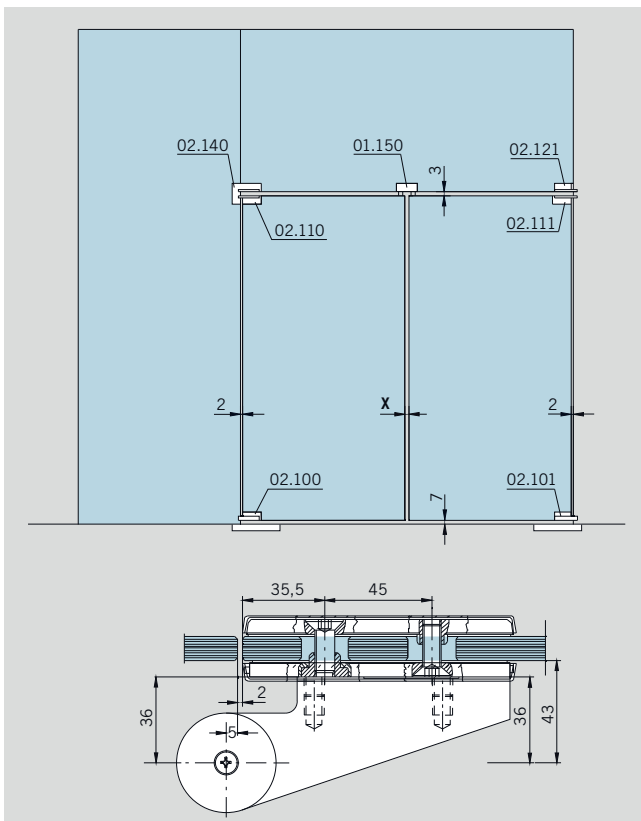
EA patch fittings for offset hung doors in rebated frames are supplied as standard prepared for 24 mm rebate depth. They can be prepared to suit rebate depths from 15 – 23 mm, and from 25 – 40 mm. Please specify rebate depth with order.

max. door weight for 25–40 mm rebate depth: 80 kg
 max. door width for 25–40 mm rebate depth: 900 mm

For doors with max. weight of 80 kg and max. width of 1000 mm use door rails.

The top centre frame portions are prepared to suit wood and steel frames. For aluminium frames, please enquire, giving details of aluminium system.

FT = rebate depth



Offset hung doors in toughened glass assemblies

max. door weight: 100 kg
 max. door width: 1100 mm

For door weights up to 100 kg and widths up to 1200 mm, door rails should be used.

EA patch fittings for offset hung doors in toughened glass assemblies have a 36 mm offset (= 43 mm from pivot point to glass surface).

Gap required between leaves on pairs of doors

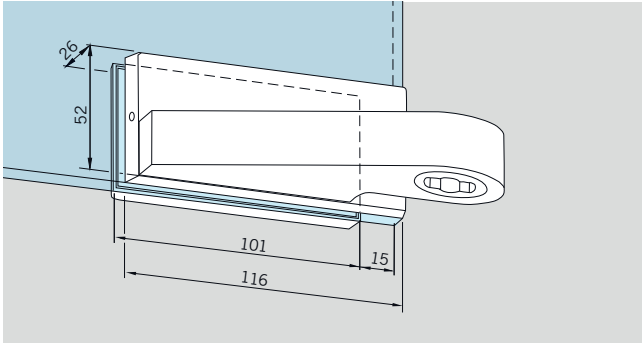
Individual leaf width in mm	X = gap required in mm
400 – 600	8
600 – 1000	6

Torque for fixing screws

Screws M 8: 12 Nm

PATCH FITTINGS FOR OFFSET HUNG DOORS IN REBATED FRAMES WITH 24 MM REBATE DEPTH

For 10 mm glass thickness (42 mm offset = 49 mm from pivot point to glass surface), complete.
 For 12 mm glass thickness (40 mm offset = 47 mm from pivot point to glass surface), complete.
 Accessories see page 132.



Bottom patch fitting

to suit DORMA floor spring spindle, or round pivot
 14 mm Ø counter-plate reduced by 15 mm to give free glass edge at side

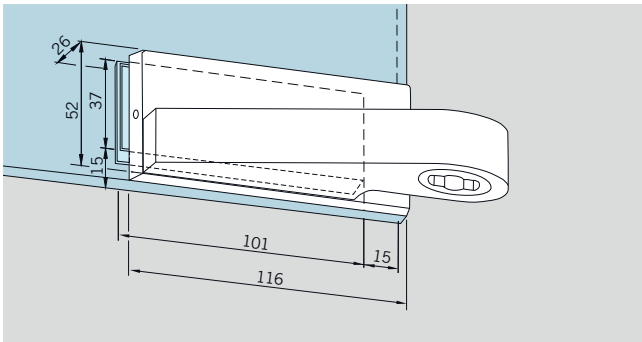
For 10 mm glass thickness
 For 12 mm glass thickness

Art. No. *02.102 / 02.103

Art. No. *02.160 / 02.161

Weight in kg:

aluminium	0.747
brass	1.348



Bottom patch fitting

to suit DORMA floor spring spindle, or round pivot
 14 mm Ø counter-plate reduced by 15 mm to give free glass edge at side and bottom

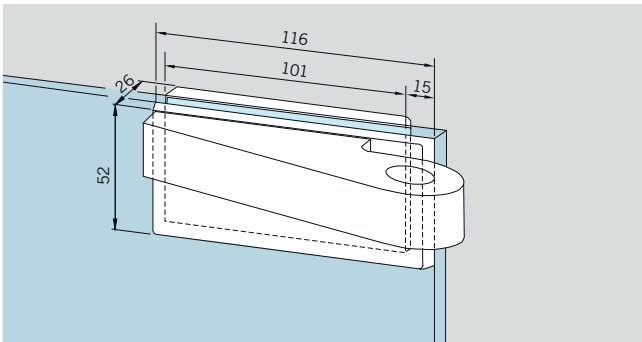
For 10 mm glass thickness
 For 12 mm glass thickness

Art. No. *02.104 / 02.105

Art. No. *02.162 / 02.163

Weight in kg:

aluminium	0.715
brass	1.308



Top patch fitting

counter-plate reduced by 15 mm to give free glass edge at side

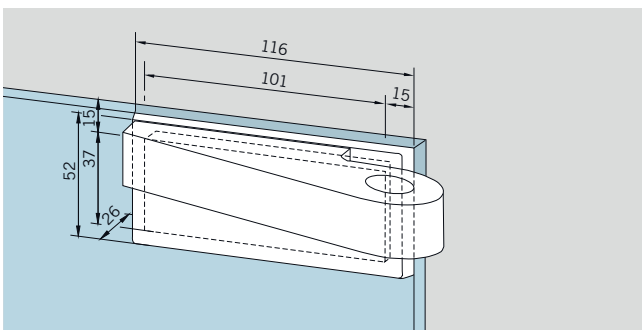
For 10 mm glass thickness
 For 12 mm glass thickness

Art. No. *02.112 / 02.113

Art. No. *02.164 / 02.165

Weight in kg:

aluminium	0.680
brass	1.314



Top patch fitting

counter-plate reduced by 15 mm to give free glass edge at side and top

For 10 mm glass thickness
 For 12 mm glass thickness

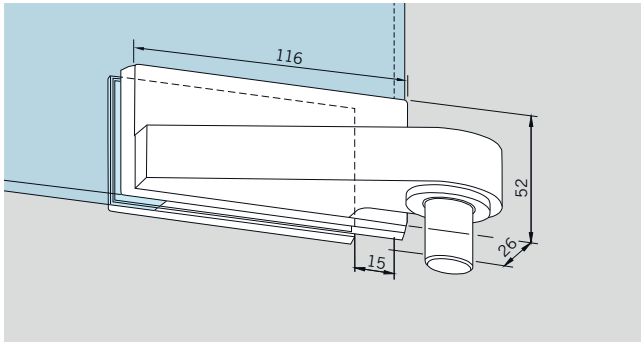
Art. No. *02.114 / 02.115

Art. No. *02.166 / 02.167

Weight in kg:

aluminium	0.644
brass	1.271

* Order of Art.No.: Left hand / right hand – determined by view from hanging side.
 (Illustration shows right hand)

**Overpanel patch fitting**

counter-plate reduced by
15 mm to give free glass edge
at side, bushing outside \varnothing 20
mm, pivot \varnothing 15 mm

For 10 mm glass thickness

For 12 mm glass thickness

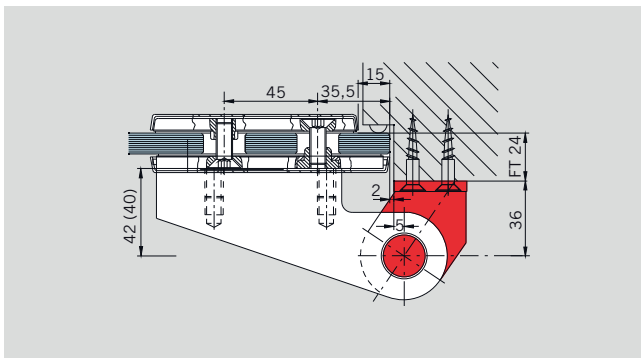
Art. No. *02.122 / 02.123

Art. No. *02.168 / 02.169

Weight in kg:

aluminium 0.654

brass 1.292

**Top patch fitting**

complete with pivot for frame
fixing, counter-plate reduced by
15 mm to give free glass edge
at side

For 10 mm glass thickness

For 12 mm glass thickness

Art. No. *02.206 / 02.207

Art. No. *02.170 / 02.171

Weight in kg:

aluminium 0.915

brass 1.821

(For frames without rebate see
page 57.)

* Order of Art.No.: Left hand / right hand – determined by view from hanging side.
(Illustration shows right hand)

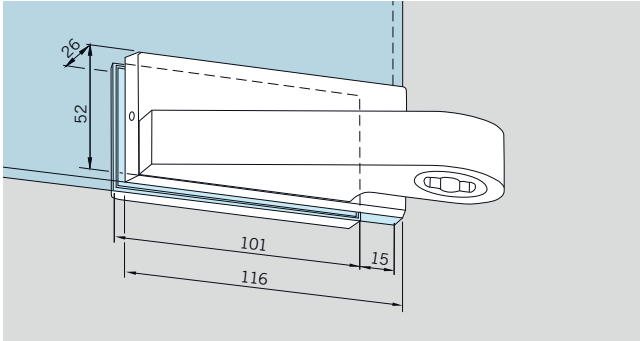
PATCH FITTINGS FOR OFFSET HUNG DOORS IN REBATED FRAMES WITH VARIOUS FRAME STOP DEPTH

Please specify rebate depth with order.

Rebate depth X = distance between outer surface of frame and rebate/stop (15 to 23 resp. 25 to 40 mm).

Offset = rebate depth + 18 mm (33 to 41 resp. 43 to 58 mm). Complete, for 10 mm glass thickness.

Accessories see page 132.

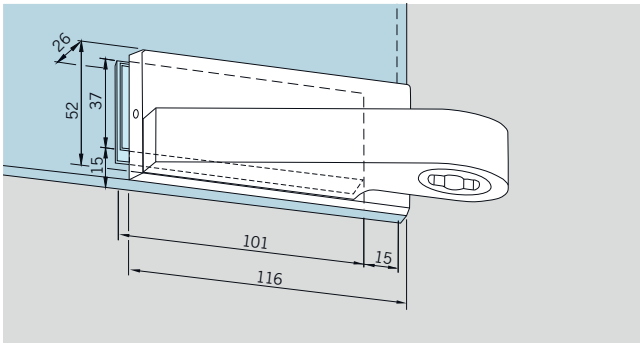


Bottom patch fitting

to suit DORMA floor spring spindle or round pivot 14 mm Ø, counter-plate reduced by 15 mm to give free glass edge at side

Art. No. *02.106 / 02.107

Weight in kg:
aluminium 0.832
brass 1.591

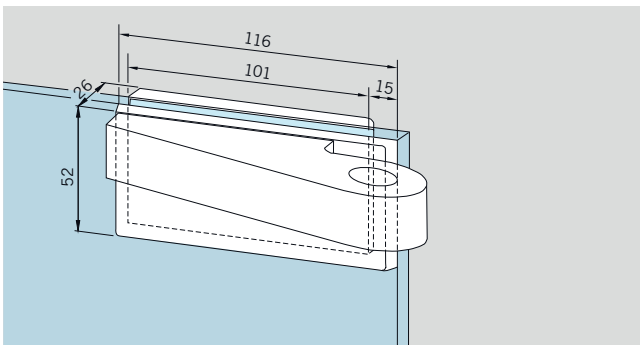


Bottom patch fitting

to suit DORMA floor spring spindle or round pivot 14 mm Ø, counter-plate reduced by 15 mm to give free glass edge at side and bottom

Art. No. *02.108 / 02.109

Weight in kg:
aluminium 0.800
brass 1.548

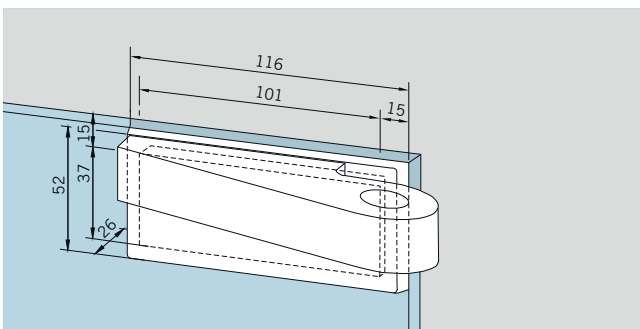


Top patch fitting

counter-plate reduced by 15 mm to give free glass edge at side

Art. No. *02.116 / 02.117

Weight in kg:
aluminium 0.760
brass 1.569



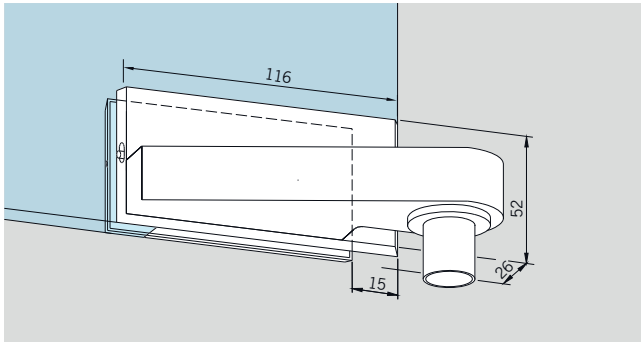
Top patch fitting

counter-plate reduced by 15 mm to give free glass edge at side and top

Art. No. *02.118 / 02.119

Weight in kg:
aluminium 0.728
brass 1.526

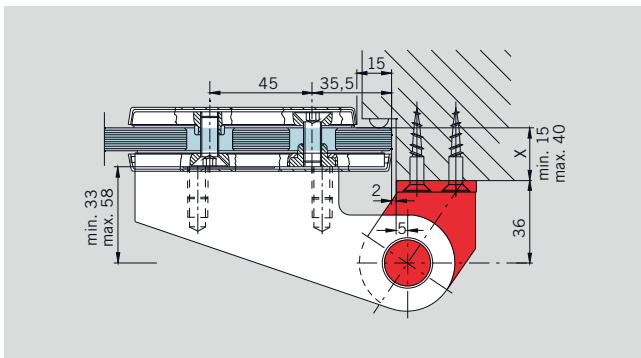
* Order of Art.No.: Left hand / right hand – determined by view from hanging side. (Illustration shows right hand)



Overpanel patch fitting
counter-plate reduced by
15 mm to give free glass edge
at side

Art. No. 02.124 / 02.125

Weight in kg:
aluminium 0.724
brass 1.502



Top patch fitting
complete with pivot for frame
fixing, counter-plate reduced by
15 mm to give free glass edge
at side

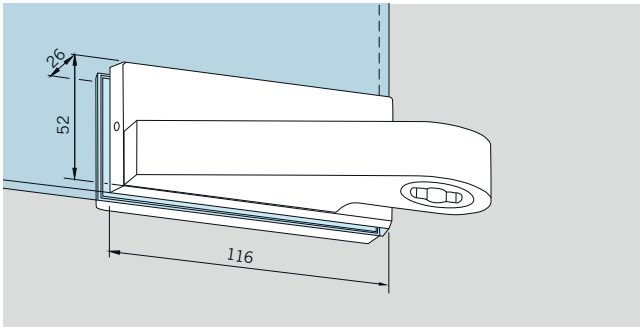
Art. No. *02.208 / 02.209

Weight in kg:
aluminium 0.995
brass 2.076

* Order of Art.No.: Left hand / right hand – determined by view from hanging side.
(Illustration shows right hand)

PATCH FITTINGS FOR OFFSET HUNG DOORS IN TOUGHENED GLASS ASSEMBLIES

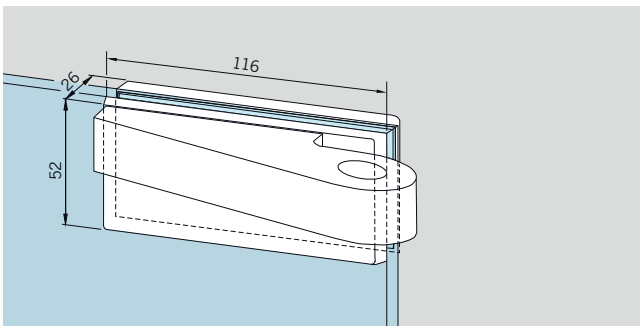
(36 mm offset = 43 mm from pivot point to glass surface), complete, for 10 and 12 mm glass thickness.



Bottom patch fitting
to suit DORMA floor spring
spindle, or round pivot
14 mm Ø

Art. No. *02.100 / 02.101

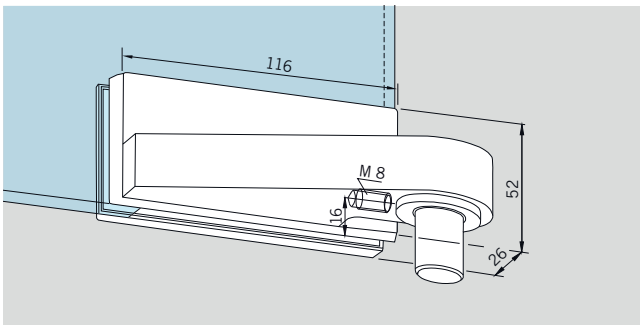
Weight in kg:
aluminium 0.730
brass 1.276



Top patch fitting

Art. No. *02.110 / 02.111

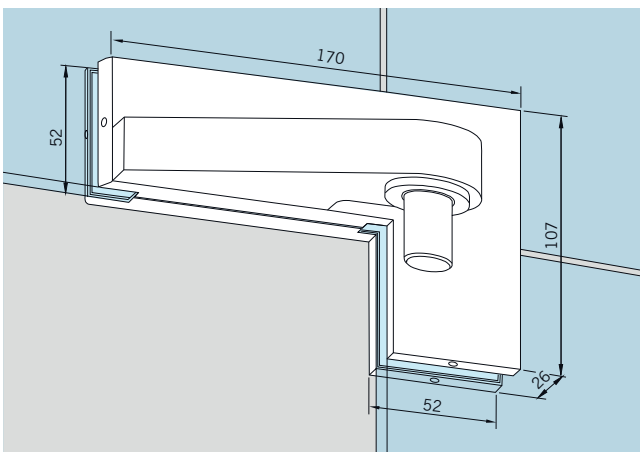
Weight in kg:
aluminium 0.660
brass 1.243



Overpanel patch fitting
bushing outside Ø 20 mm,
pivot Ø 15 mm

Art. No. *02.120 / 02.121

Weight in kg:
aluminium 0.637
brass 1.193

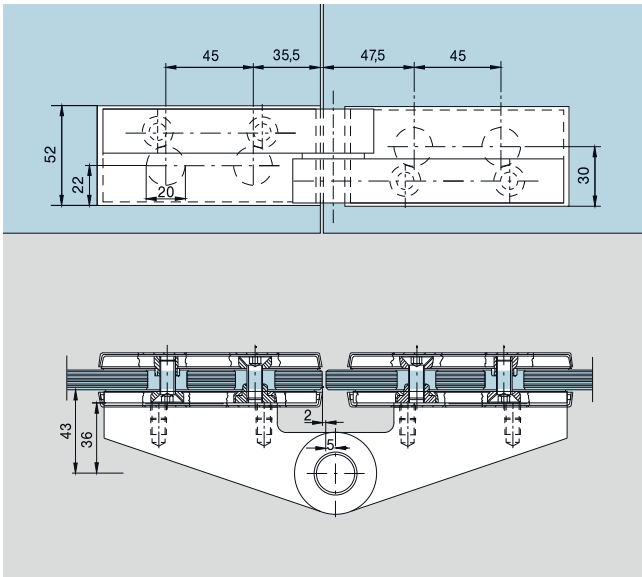


**Patch fitting for overpanel
and sidelight**
bushing outside
Ø 20 mm, pivot Ø 15 mm

Art. No. *02.140 / 02.141

Weight in kg:
aluminium 0.832
brass 1.409

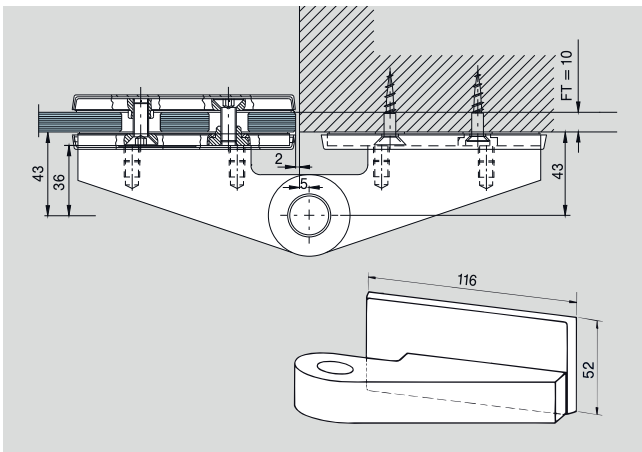
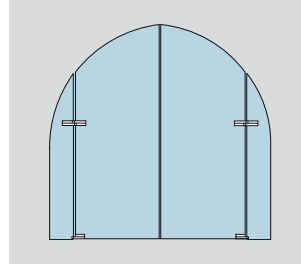
* Order of Art.No.: Left hand / right hand – determined by view from hanging side.
(Illustration shows right hand)



Top patch fitting
complete with pivot for sidelight

Art. No. *02.200 / 02.201

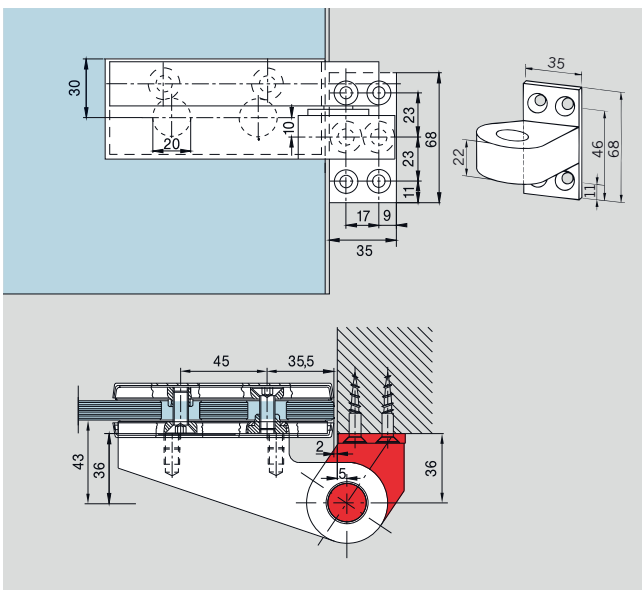
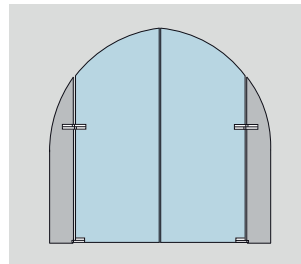
Weight in kg:
aluminium 1.415
brass 2.581



Top patch fitting
complete with pivot for wall
fixing

Art. No. *02.202 / 02.203

Weight in kg:
aluminium 1.277
brass 2.528

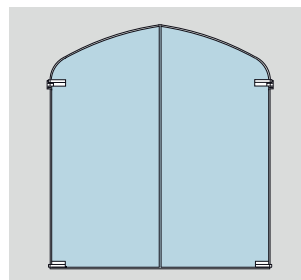


Top patch fitting
complete with pivot for frame
fixing

Art. No. *02.204 / 02.205

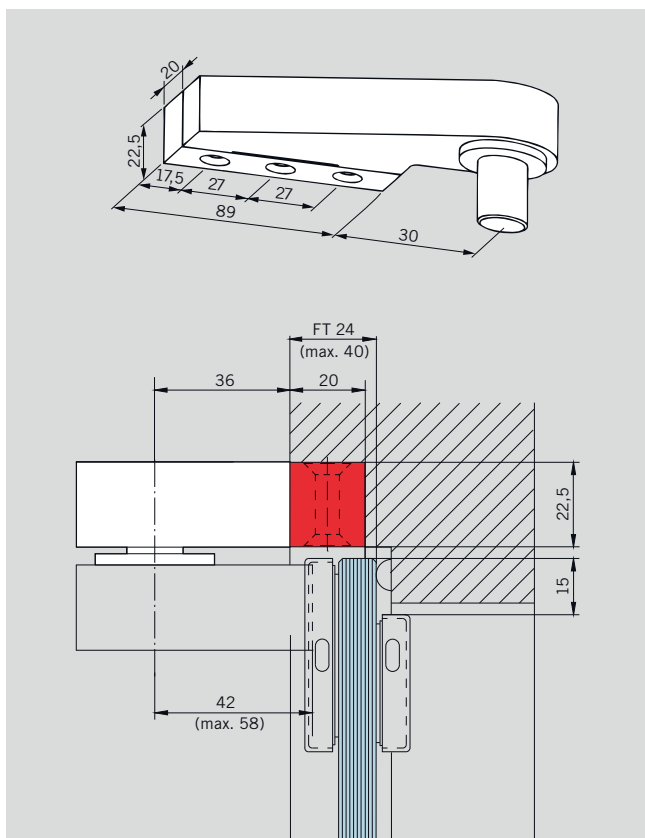
Weight in kg:
aluminium 0.895
brass 1.750

(For frames with rebate see
page 58.)



* Order of Art.No.: Left hand / right hand – determined by view from hanging side.
(Illustration shows right hand)

TOP CENTRES FOR WOOD AND STEEL FRAMES

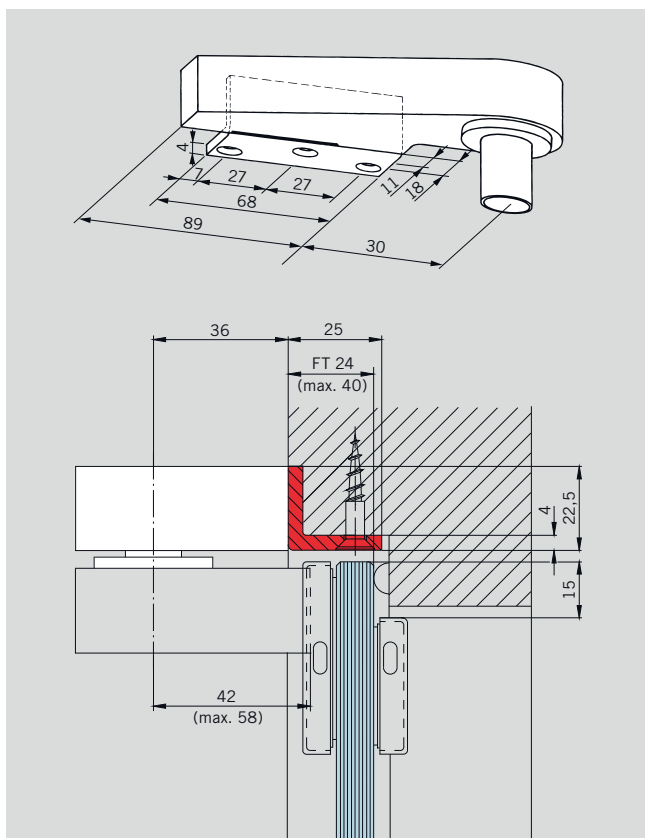


Frame top centre
with fixing block

Art. No. 02.150

Weight in kg:
aluminium 0.471
brass 0.977

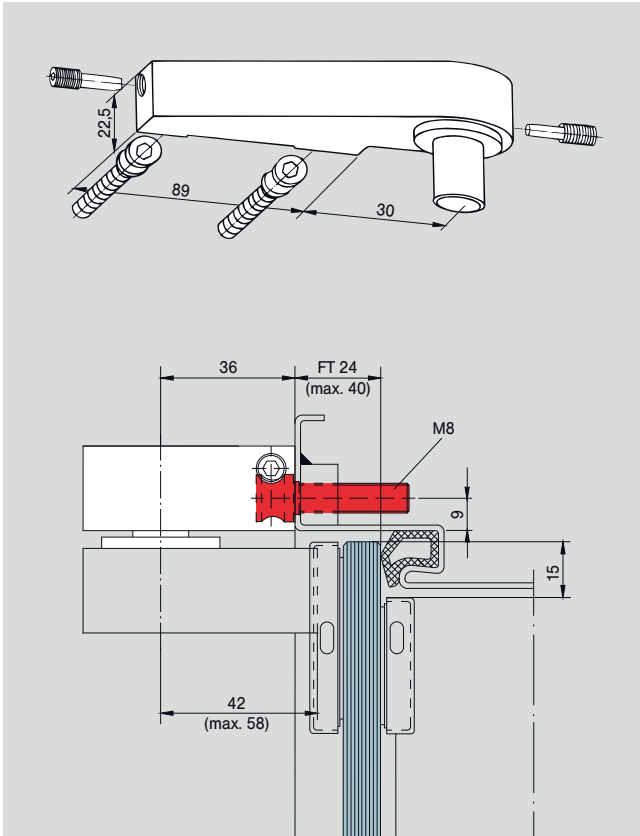
If corner fittings / door rails are combined with frame top centres as described, please indicate rebate depth with order.



Frame top centre
with angle bracket

Art. No. 02.151

Weight in kg:
aluminium 0.453
brass 0.959



Frame top centre
only for steel frames, with
special wedge screw fixing

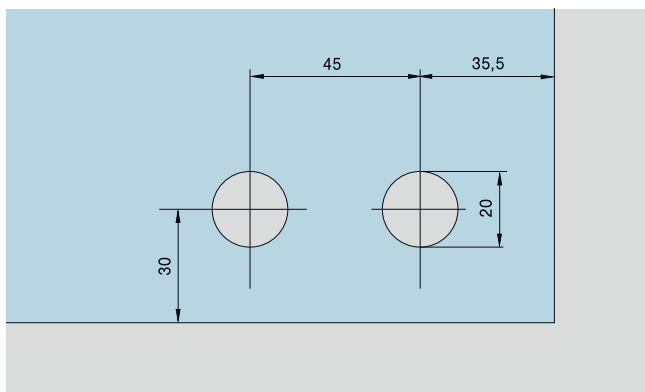
Art. No. 02.152/02.153

Weight in kg:
aluminium 0.390
brass 1.896

Drill jig:

Art. No. 8.02.081.001.50

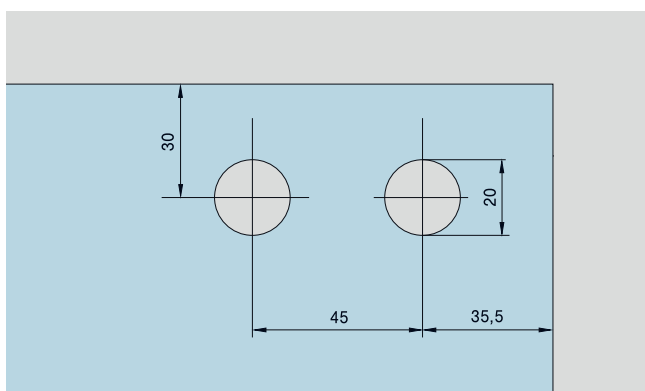
GLASS PREPARATION



Bottom patch fittings

Art. No.	Art. No.
left hand:	right hand:
02.100	02.101
02.102	02.103
02.104	02.105
02.106	02.107
02.108	02.109
02.160	02.161
02.162	02.163

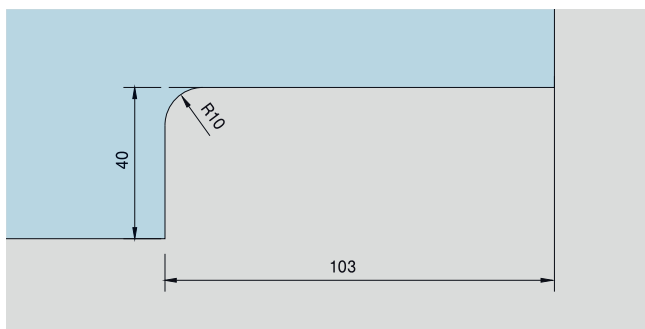
Scale 1 : 2



Top patch fittings

Art. No.	Art. No.
left hand:	right hand:
02.110	02.111
02.112	02.113
02.114	02.115
02.116	02.117
02.118	02.119
02.164	02.165
02.166	02.167

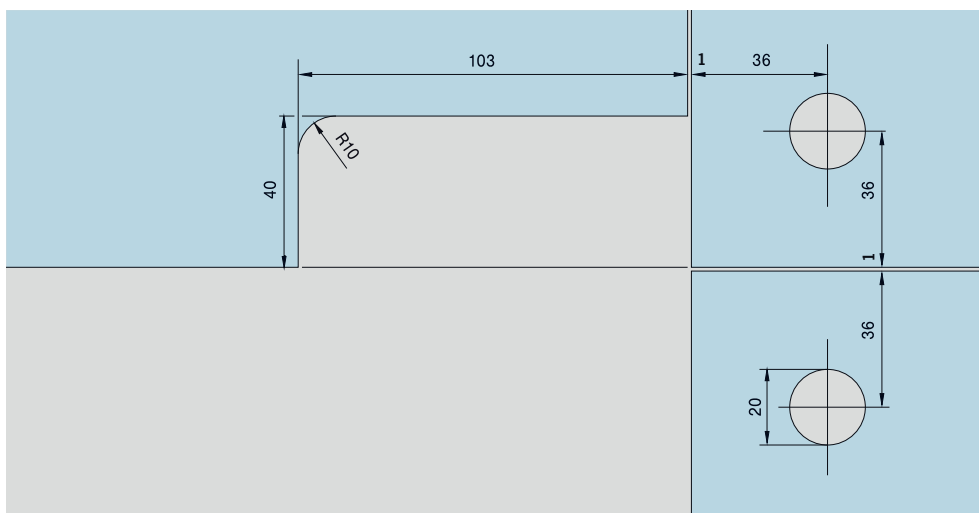
Scale 1 : 2



Overpanel patch fittings

Art. No.	Art. No.
left hand:	right hand:
02.120	02.121
02.122	02.123
02.168	02.169

Scale 1 : 2



Patch fittings for overpanel and sidelight

Art. No.	Art. No.
left hand:	right hand:
02.140	02.141

Scale 1 : 2

TP/TA

General information,
64

Rail cross sections
66

Construction details
67

**TP door rails for centre hung
doors, pivot point 55/65 mm**
68

**TP door rails for centre hung
doors, pivot point 18 mm**
73

Rails for side panel
77

**TA door rails for offset hung
doors in toughened glass
assemblies**
79

**TA door rails for offset hung
doors in rebated frames, with
free glass edge left and right**
82

**TA door rails for pairs of offset
hung doors in rebated frames,
with free glass edge on hanging
side**
84

Top centre frame portion
88

Alternative and special inserts
89

Accessories
132



TP/TA – DOOR RAILS WHICH LEAVE NOTHING TO BE DESIRED

TP/TA door and side panel rail coordinate in design, dimensions and finishes with all DORMA patch fittings. This creates the opportunity to specify fittings for the assembly which provide maximum protection and effective sealing of the lower glass edges. The provision of door rails allows the installation of extremely heavy-duty and wide doors.

Tamper resistant, with integral locks

The robust base rails are screwed together from alternate sides of the door at 150 mm centres. This makes unauthorised removal of the rail virtually impossible.

All door rails are available with integral locks, prepared for profile cylinders and with security rosettes, or prepared for certain lever locks.

Special security- and quality characteristics

The particular feature of the locks with bottom or top locking bolt is a special corrosion and abrasion resistant bolt with integrated safety roll pin (hardened). By this the locks comply to DIN 18251, class 3 (according to type testing*) and the highest corrosion resistance according to EN 1670, class 4 is achieved.

Furthermore the lock was tested successfully by a neutral testing institute with 500,000 latch and 100,000 locking bolt operating cycles.

Easy door adjustment – especially whilst hanging

Because TP/TA rails are a screw/clamp system, they have a great advantage over other systems. The rail can be adjusted up and down, and also side to side, to compensate for irregularities in the door opening.

Also, the clip-on rail cover has advantages. Because the door can be hung and secured without it, the covers need not be fixed until the wet trades have finished and the cleaners have been through.

No glass preparation, firm fixing

DORMA-Glas has an intimate knowledge of the special properties of glass as a building material. This has led to the design of rails requiring no glass preparation – no holes, no cut-outs. Carefully considered and positive measures have been taken to create the maximum clamping surface with optimum clamping efficiency.

Two heights, length to order, to suit 10 mm or 8 mm and 12 mm glass thickness – further glass thicknesses and versions for bullet-proof glass on request

All TP/TA door rails are available in 100 mm (4") or 76.5 mm (3") heights, and in lengths to your order. They are supplied as standard for 10 mm glass thickness; but with replacement gasket they will suit 12 mm or 8 mm glass thicknesses. On request the door rails of 100 mm height can also be realised for 13.5/15/17/19 and 21 mm glass thicknesses (for toughened, laminated glass) and versions for bullet-proof glass 13.5 – 30 mm glass thicknesses.

Variable pivot point and absolute pinch free on door rails for centre hung doors TP

All the inserts for door rails in the TP/TA range have been designed and manufactured to give two options in the pivot point distance from the sidepanel or frame

It can be either 55 mm or 65 mm (distance from pivot point to door edge – 53 mm and 63 mm respectively). In order to change from the standard dimension of 65 mm to 55 mm, the standard insert is unscrewed from the patch, rotated through 180°, and refixed in position. At 65 mm pivot point and the use of a special round profile (page 19) doors can be built pinch free (constant air gap of 4 mm).

Reliability built in

Quality materials and thorough workmanship mean that TP/TA rails have the features necessary to meet the most demanding of specifications.

Short delivery times

All the common patterns and types are available ex-stock (factory). Specials will be prepared promptly.

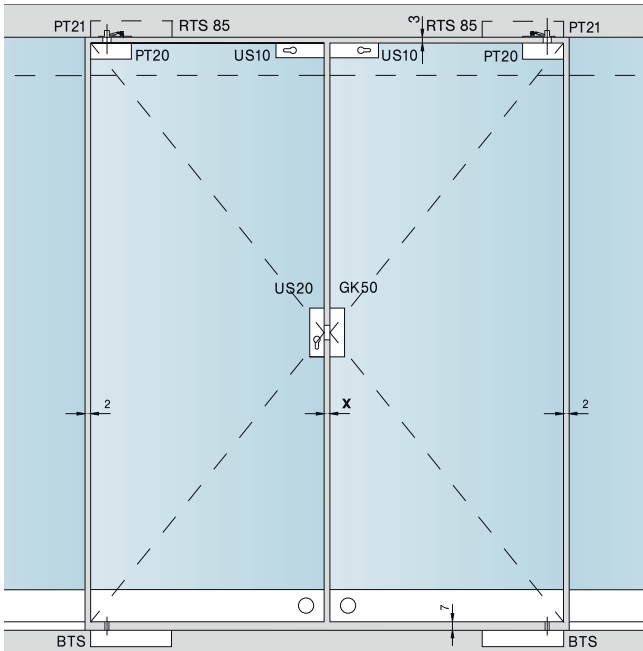
Finishes

Special coatings are required at extreme environment conditions (i.e. coastal areas).

*Extract from DIN 18251, class 3: type-test with 50,000 locking bolt operating cycles.



TECHNICAL SPECIFICATIONS



Glass size – height:

Rail height – 100 mm

Use of rail(s)	total door height less
bottom	75.0 mm
top	75.0 mm
bottom + top	150.0 mm

Rail height – 76.5 mm

Use of rail(s)	total door height less
bottom	56.5 mm
top	56.5 mm
bottom + top	113.0 mm

Gap required between pairs of doors:



Centre hung doors X = 4 mm

Offset hung doors

Individual leaf width	X
over 1000 mm	4 mm
1000 – 600 mm	6 mm
600 – 400 mm	8 mm

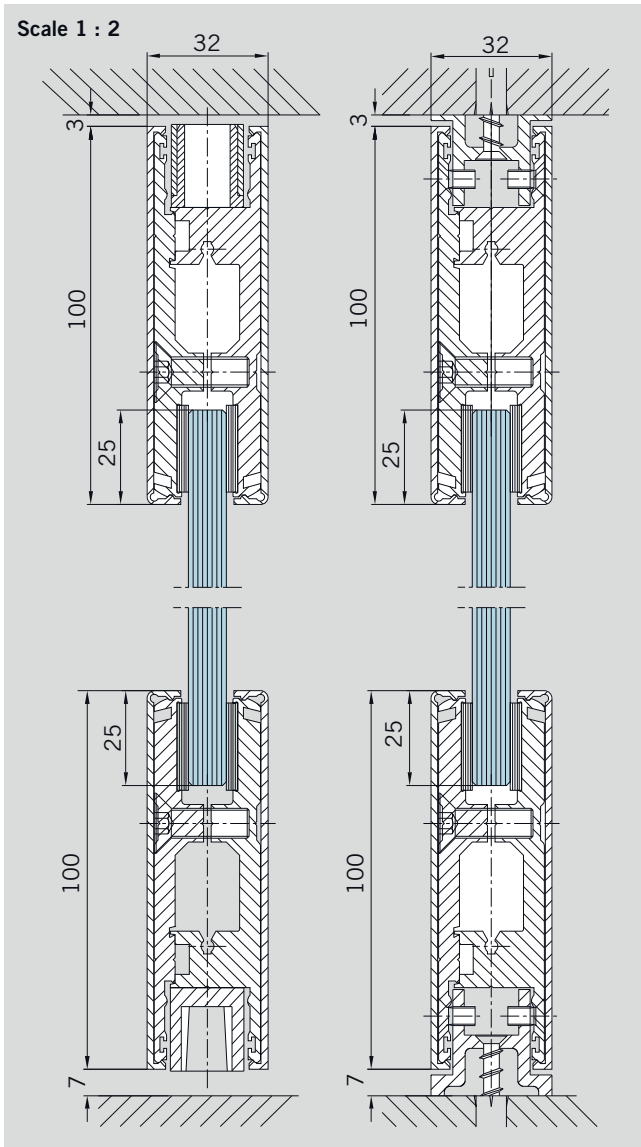
RTS = transom closer (for details see Technical Information RS).

Maximum dimensions for use of bottom door rails in combination with top door rails or top patch fittings

	Panel type	Bottom door rail standard			Bottom door rail special type with bottom strap in forged steel			Comments
		weight kg	width mm	height mm	weight kg	width mm	height mm	
Door rails for centre hung doors, combined with ...	 							*For high frequented doors we generally recommend to use the bottom strap in forged steel with reduced max. measurements.
... Patch fittings Universal	●	110	1200	3000	120	1200	3500	**pivot point 15/18 mm
... Patch fittings EP Universal pinch free**	●	100	1100	3000				***only for double action doors with door rail top and bottom
... Door rails standard	●	120	1200	3500	150*** (120*)	1400*** (1200*)	4000 (3500*)	
Door rails for offset hung doors in toughened glass assemblies, combined with ...								34 mm door stap for toughened glass assemblies
... Patch fittings EA	●	100	1200	3000				
... Door rails standard	●	100	1200	3500				
Door rails for offset hung doors in rebated frames (24 mm/26 mm rebate depth), combined with ...								40 mm/42 mm door stap for 24 mm/26 mm rebate depth
... Patch fittings EA	●	90	1100	3000				
... Door rails standard	●	90	1100	3500				
Door rails for offset hung doors in rebated frames (27 mm–40 mm rebate depth), combined with ...								43 mm/58 mm door stap for 27 mm–40 mm rebate depth
... Patch fittings EA	●	80	1000	3000				
... Door rails standard	●	80	1000	3500				

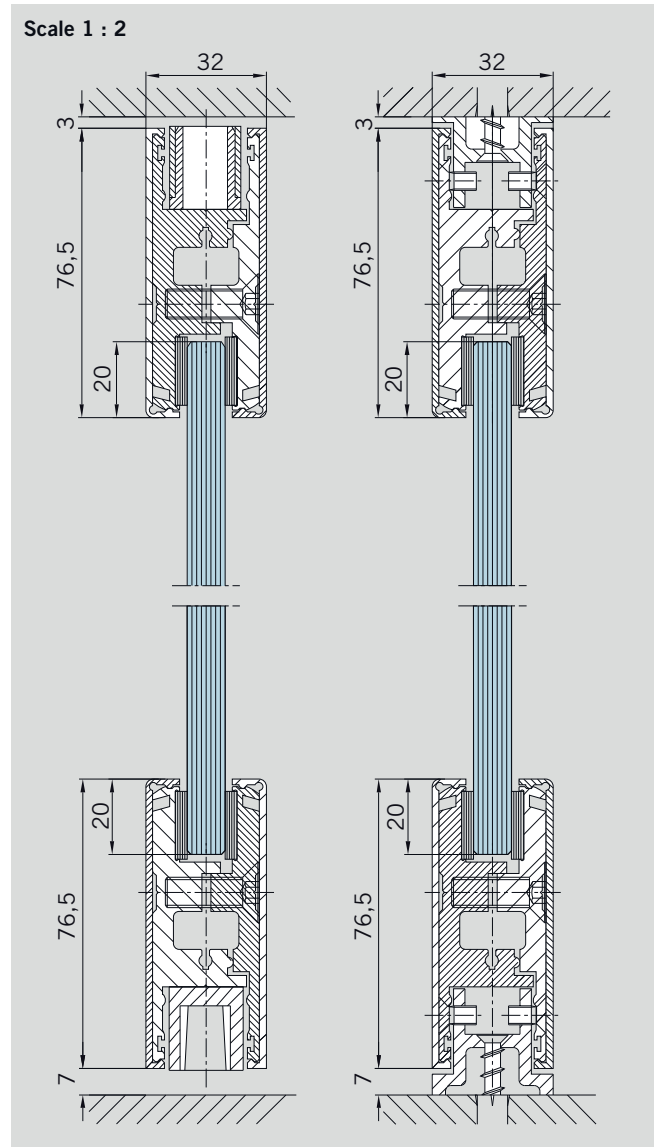
Torque for fixing screws: Screws M 8 : 20 Nm

RAIL CROSS SECTIONS



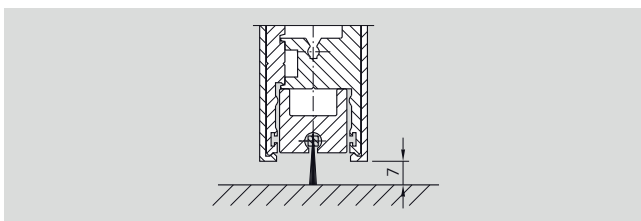
Door rails, 100 mm high

Side panel rails, 100 mm high



Door rails, 76.5 mm high

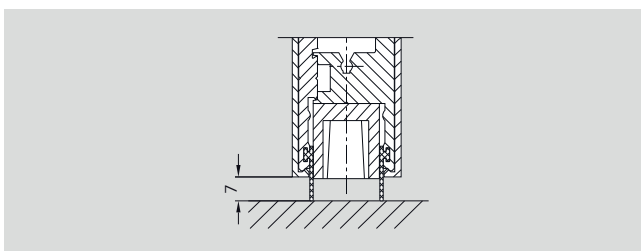
Side panel rails, 76.5 mm high



AGILE Aluminium profile brush seal to prevent draughts and energy loss (not in the area of inserts, locks, etc.), connected with door rail at manufacturer

Art. No. 04.600

Weight in kg/m: 0.753



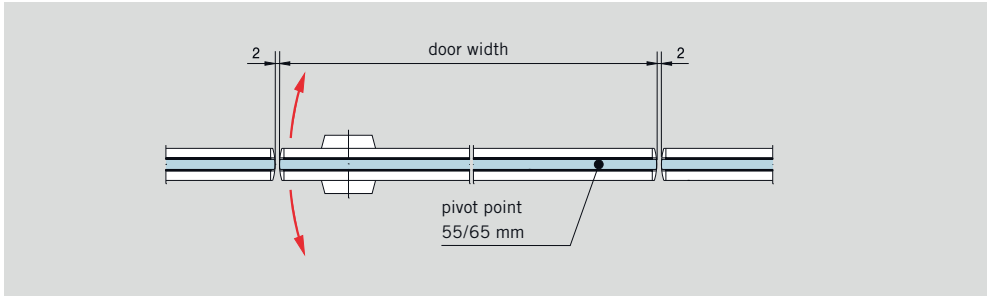
Rubber sealing for door rails (also in the area of inserts, locks, etc.)
fixed length
stock length 200 m (= 1 coil)

Art. No. 04.607

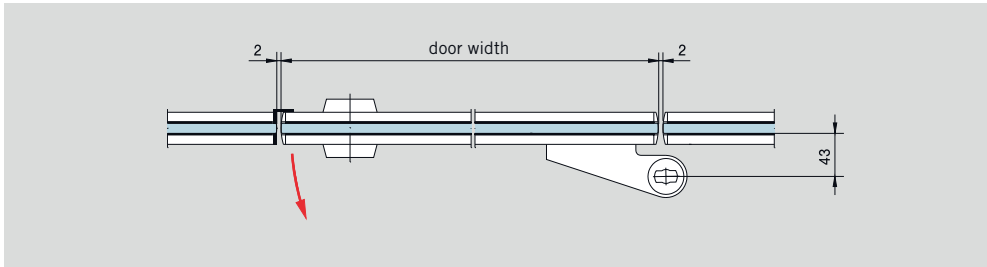
Art. No. 04.608

Weight in kg/m: 0.099

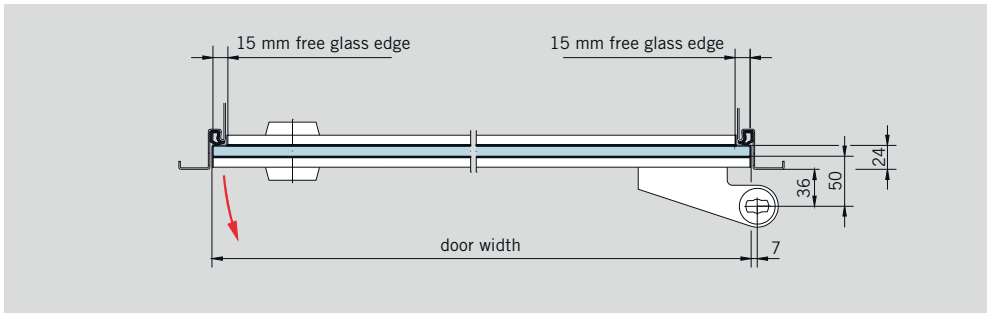
CONSTRUCTION DETAILS



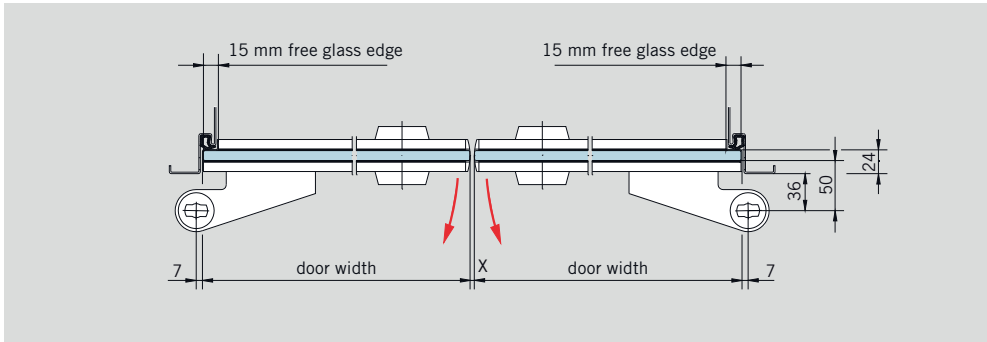
Centre hung doors



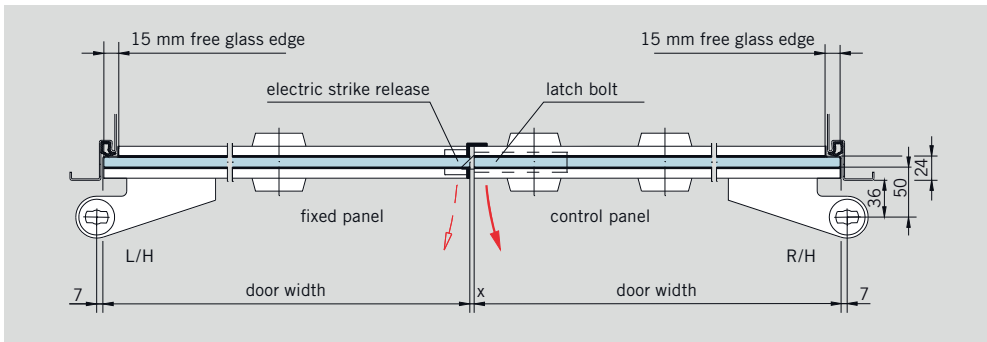
Offset hung door in toughened glass assembly



Offset hung door in rebated frame with 24 mm rebate depth



Pair of offset hung doors in rebated frame with 24 mm rebate depth

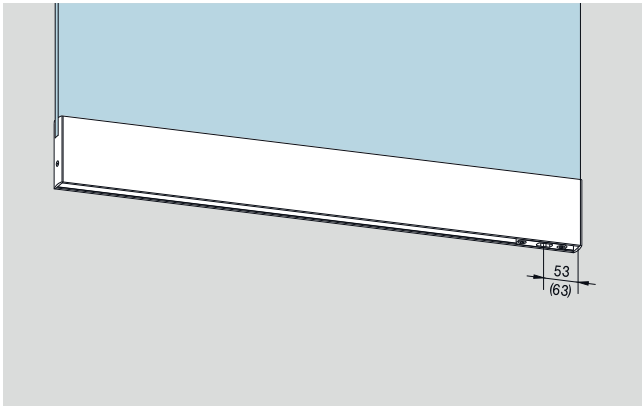


Pair of offset hung doors in rebated frame with 24 mm rebate depth (also available with inserts for centre hung doors), with electric strike release and latch bolt

DOOR RAILS FOR CENTRE HUNG DOORS

Pivot point 55/65 mm

Complete, for 10 mm glass thickness



Bottom rail

with stainless steel insert to suit DORMA floor spring spindle or round pivot 14 mm Ø

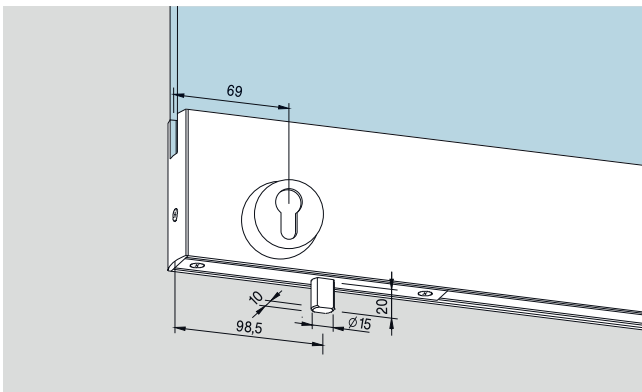
100 mm:

76.5 mm:

Art. No. 04.101

Art. No. 04.001

Weight in kg/m	100 mm	76.5 mm
aluminium	5.131	4.029
stainl. steel	6.070	4.833



...with floor locking lock, prepared for Europrofile cylinder, single throw with corrosion resistant bolt and hardened safety roll pin

100 mm:

76.5 mm:

Art. No. 04.111

Art. No. 04.011

Weight in kg/m	100 mm	76.5 mm
aluminium	5.466	4.364
stainl. steel	6.520	5.283

Not illustrated:

...with floor locking lock prepared for KABA, single throw with corrosion resistant bolt and hardened safety roll pin

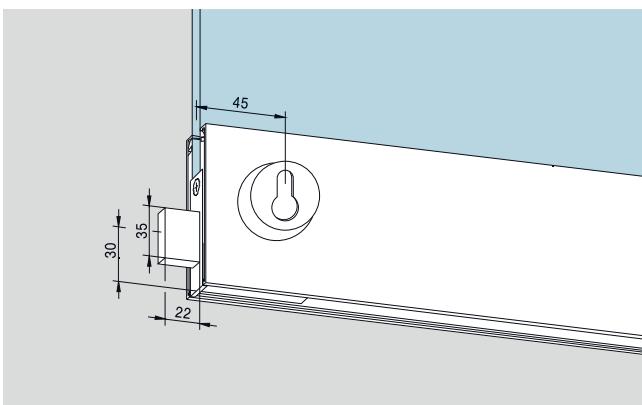
100 mm:

76.5 mm:

Art. No. 04.163

Art. No. 04.063

Weight in kg/m	100 mm	76.5 mm
aluminium	5.466	4.364
stainl. steel	6.520	5.283

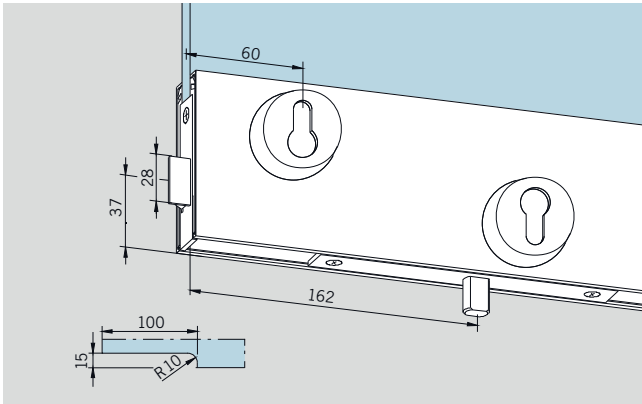


...with side locking lock, prepared for Europrofile cylinder, double throw

100 mm:

Art. No. 04.121

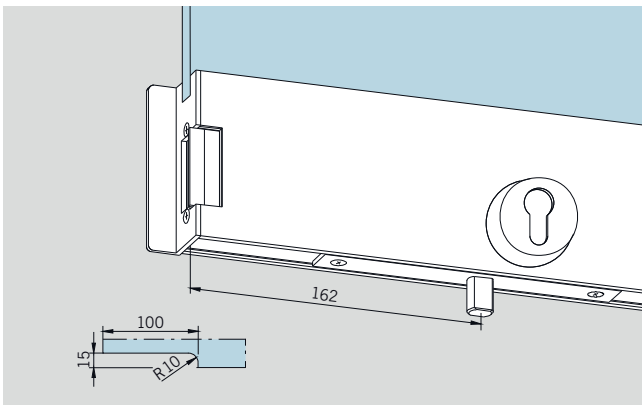
Weight in kg/m	100 mm
aluminium	5.364
stainl. steel	6.418



Bottom rail with latch lock at side for electric strike release and floor locking bolt lock, prepared for Europrofile cylinder, single throw with corrosion resistant bolt and hardened safety roll pin. The use of latch lock or electric strike release results from a single action door situation.

Art. No. *04.191 / 04.193

Weight in kg/m:
 aluminium 6.667
 stainless steel 8.335

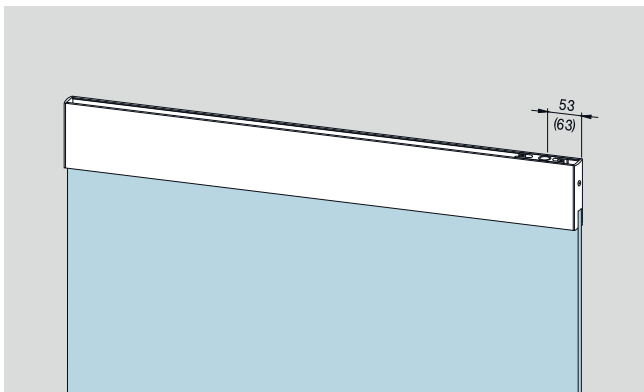


...with electric strike release at side (Standard: fail secure function, 6 to 12 V $-/\sim$) and floor locking bolt lock, prepared for Europrofile cylinder, single throw with corrosion resistant bolt and hardened safety roll pin. The use of latch lock or electric strike release result from a single action door situation.

Art. No. *04.196 / 04.198

Weight in kg/m:
 aluminium 5.586
 stainless steel 6.640

* Left/right hand (illustration shows right hand) are determined by view from hanging side.

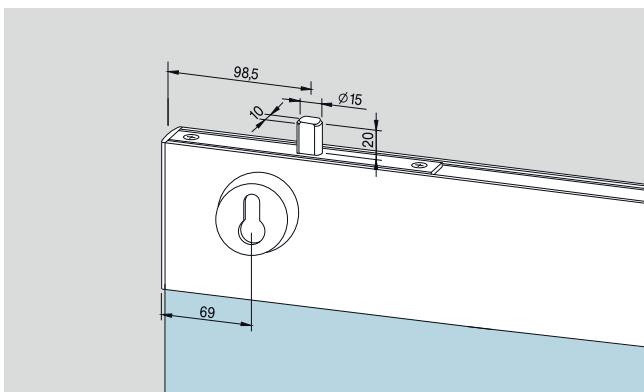


Top rail

with insert to take 15 mm Ø
pivot pin
100 mm:
76.5 mm

Art. No. 04.102
Art. No. 04.002

Weight in kg/m	100 mm	76.5 mm
aluminium	4.979	3.877
stainl. steel	5.918	4.681



...and top locking lock, prepared
for Europrofile cylinder, single
throw with corrosion resistant
bolt and hardened safety roll pin
100 mm:
76.5 mm

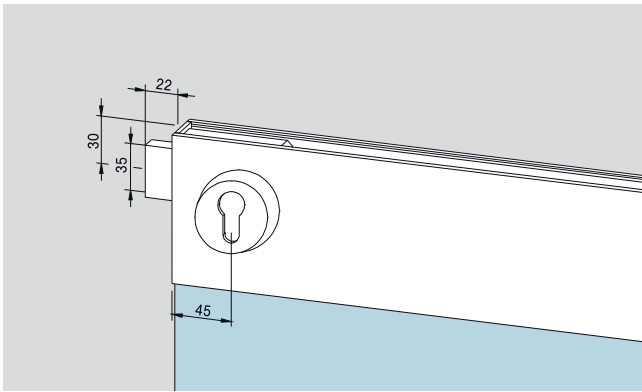
Art. No. 04.112
Art. No. 04.012

Weight in kg/m	100 mm	76.5 mm
aluminium	5.314	4.212
stainl. steel	6.368	5.131

Not illustrated:
...with top locking lock prepared
for KABA, single throw with
corrosion resistant bolt and
hardened safety roll pin
100 mm:
76.5 mm

100 mm **Art. No. 04.164**
76.5 mm **Art. No. 04.064**

Weight in kg/m	100 mm	76.5 mm
aluminium	5.314	4.212
stainl. steel	6.368	5.131



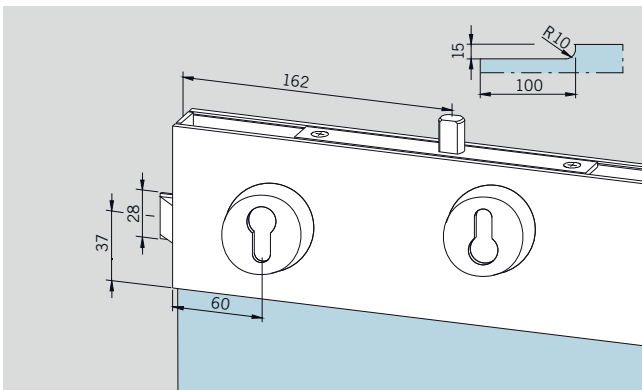
Top rail

with side locking lock, prepared for Europrofile cylinder, double throw

100 mm:

Art. No. 04.122

Weight in kg/m:	
aluminium	5.212
stainless steel	6.266

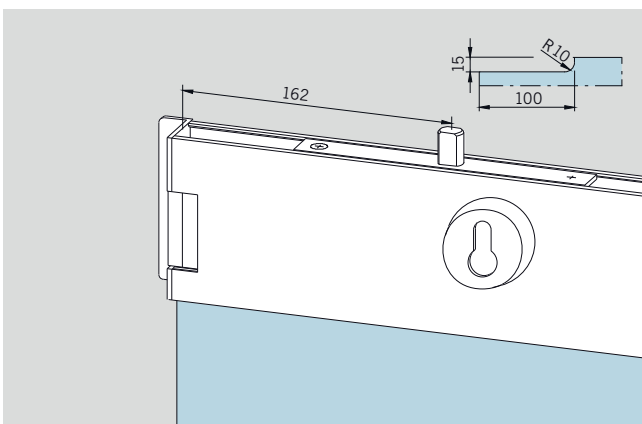


...with latch lock at side

for electric strike release and top locking bolt lock, prepared for Europrofile cylinder, single throw with corrosion resistant bolt and hardened safety roll pin. The use of latch lock or electric strike release results in a single action door situation.

Art. No. *04.192 / 04.194

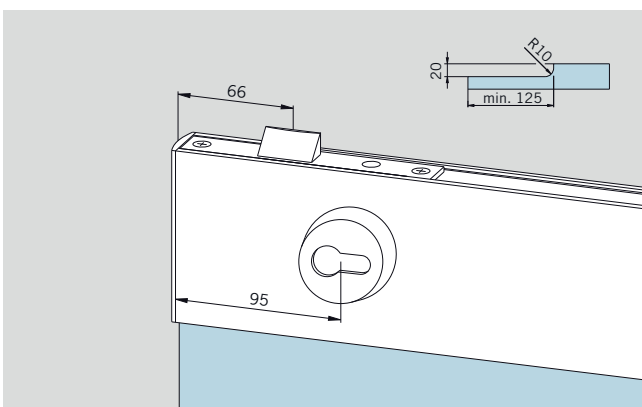
Weight in kg/m:	
aluminium	6.592
stainless steel	8.148



...with electric strike release at side (Standard: fail secure function, 6 to 12 V -/~) and top locking bolt lock, prepared for Europrofile cylinder, single throw with corrosion resistant bolt and hardened safety roll pin. The use of latch lock or electric strike release results in a single action door situation.

Art. No. **04.197 / 04.199

Weight in kg/m:	
aluminium	6.492
stainless steel	8.048



...with latch lock, locking to ceiling, prepared for Europrofile cylinder, single throw (necessary stop on site). The use of latch lock or electric strike release (on site) results in a single action door situation.

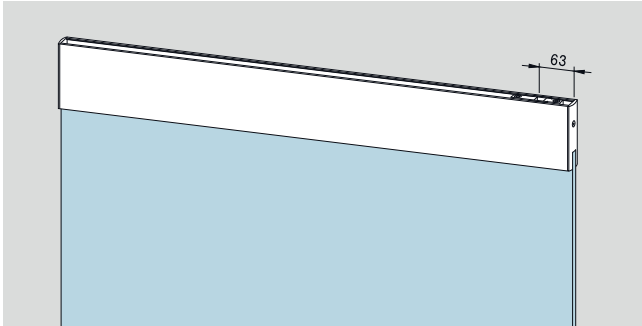
100 mm:

Art. No. 04.118

Weight in kg/m:	
aluminium	5.294
stainless steel	6.348

* Left / right hand (illustration shows left hand) are determined by view from hanging side.

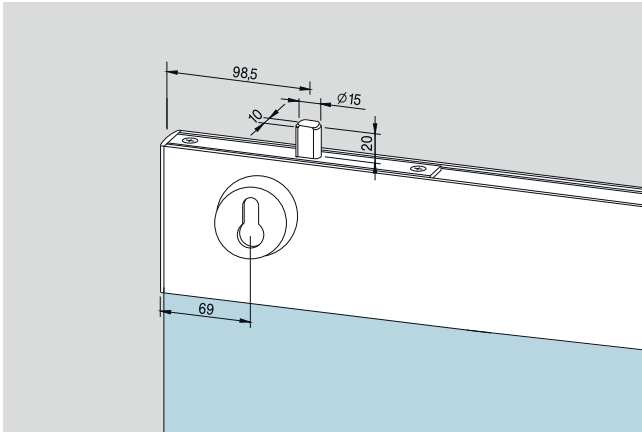
** Left / right hand (illustration shows right hand) are determined by view from hanging side.



Top rail
with insert for DORMA RTS
transom closer
100 mm:
76.5 mm:

Art. No. 04.106
Art. No. 04.006

Weight in kg/m	100 mm	76.5 mm
aluminium	5.145	4.043
stainl. steel	6.207	4.847



...and top locking lock, prepared
for Europrofile cylinder, single
throw with corrosion resistant
bolt and hardened safety roll pin
100 mm:
76.5 mm:

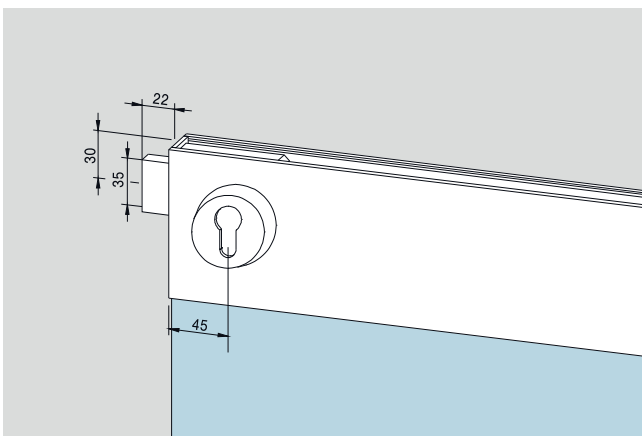
Art. No. 04.116
Art. No. 04.016

Weight in kg/m	100 mm	76.5 mm
aluminium	5.480	4.378
stainl. steel	6.657	5.297

Not illustrated:
...with top locking lock prepared
for KABA, single throw with
corrosion resistant bolt and
hardened safety roll pin
100 mm:
76.5 mm:

Art. No. 04.167
Art. No. 04.067

Weight in kg/m	100 mm	76.5 mm
aluminium	5.480	5.145
stainl. steel	6.655	6.207



...and side locking lock,
prepared for Europrofile
cylinder, double throw
100 mm:

Art. No. 04.126

Weight in kg/m:	
aluminium	5.378
stainless steel	6.555

Not illustrated:
Gasket

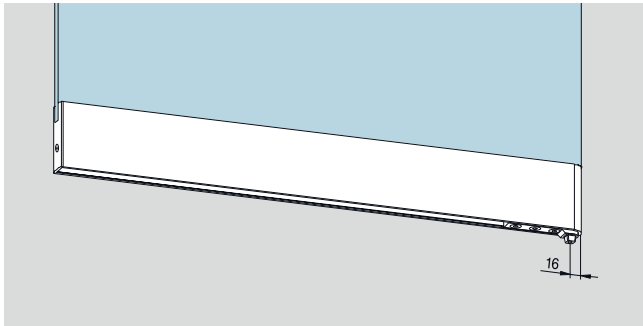
Art. No. 01.900
to suit 8 mm glass thickness
(1 m = 1 pc.)

Art. No. 01.901
to suit 12 mm glass thickness
(1 m = 1 pc.)

DOOR RAILS FOR CENTRE HUNG DOORS

Pivot point 18 mm

Complete, for 10 mm glass thickness

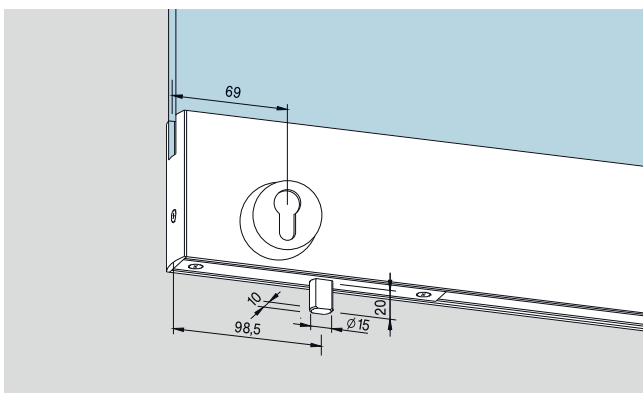


Bottom rail
with **DORMA floor spring**
spindle insert

100 mm:
76.5 mm:

Art. No. 04.103
Art. No. 04.003

Weight in kg/m	100 mm	76.5 mm
aluminium	5.218	4.126
stainl. steel	6.193	4.824



...with floor locking lock,
prepared for Europrofile cylinder,
single throw with corrosion
resistant bolt and hardened
safety roll pin

100 mm:
76.5 mm:

Art. No. 04.113
Art. No. 04.013

Weight in kg/m	100 mm	76.5 mm
aluminium	5.553	4.461
stainl. steel	6.643	5.274

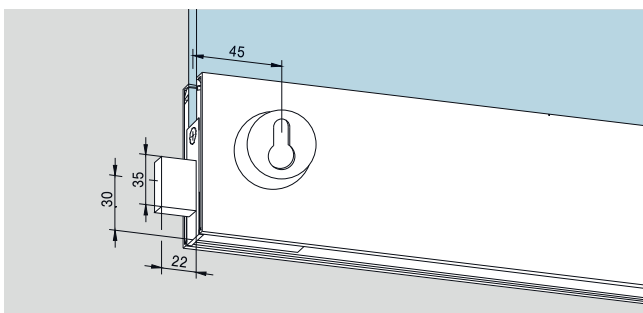
Not illustrated:

...with floor locking lock prepared
for KABA, single throw (not illus-
trated) with corrosion resistant
bolt and hardened safety roll pin

100 mm:
76.5 mm:

Art. No. 04.165
Art. No. 04.065

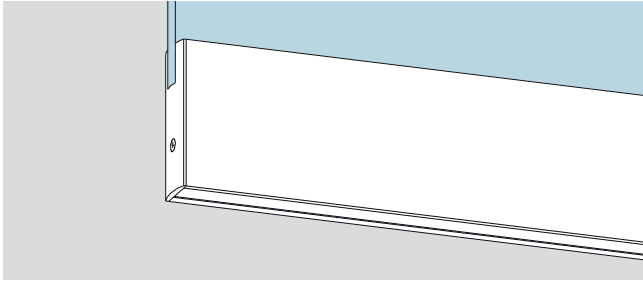
Weight in kg/m	100 mm	76.5 mm
aluminium	5.553	5.228
stainl. steel	6.664	6.280



... with side locking lock,
prepared for Europrofile
cylinder, double throw
100 mm:

Art. No. 04.123

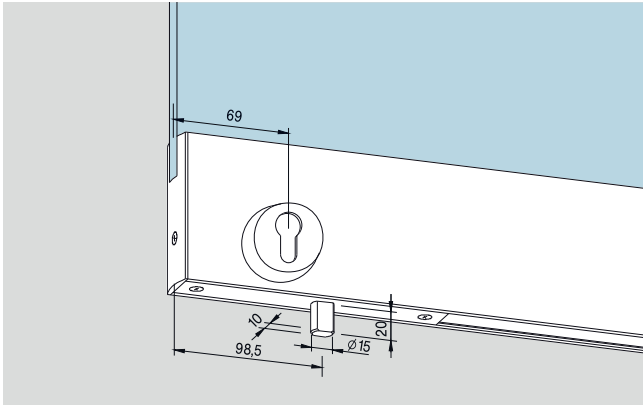
Weight in kg/m:	
aluminium	5.451
stainless steel	6.541



...prepared for floor bearing
100 mm:
76.5 mm:

Art. No. 04.107
Art. No. 04.007

Weight in kg/m	100 mm	76.5 mm
aluminium	4.938	3.898
stainl. steel	5.975	4.606



Bottom rail with floor locking lock, prepared for Europrofile cylinder, single throw with corrosion resistant bolt and hardened safety roll pin, prepared for floor bearing
100 mm:
76.5 mm:

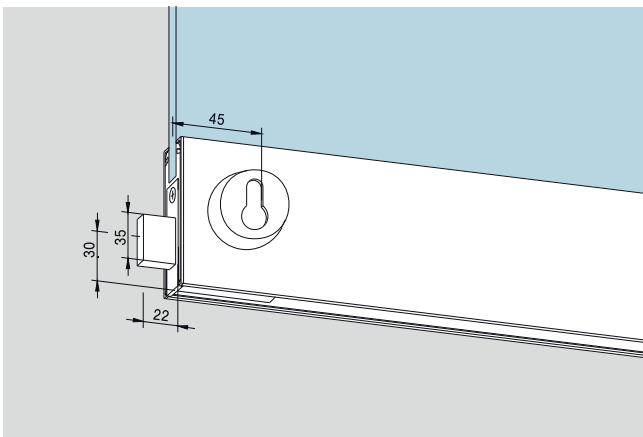
Art. No. 04.117
Art. No. 04.017

Weight in kg/m	100 mm	76.5 mm
aluminium	5.334	4.243
stainl. steel	6.425	5.056

Not illustrated:
...with floor locking lock prepared for KABA, single throw with corrosion resistant bolt and hardened safety roll pin, **prepared for floor bearing**
100 mm:
76.5 mm:

Art. No. 04.168
Art. No. 04.068

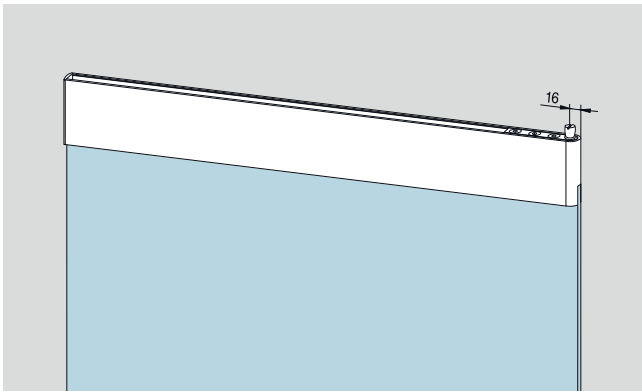
Weight in kg/m	100 mm	76.5 mm
aluminium	5.334	4.243
stainl. steel	6.425	5.056



...with side locking lock, prepared for Europrofile cylinder, double throw, **prepared for floor bearing**
100 mm:

Art. No. 04.127

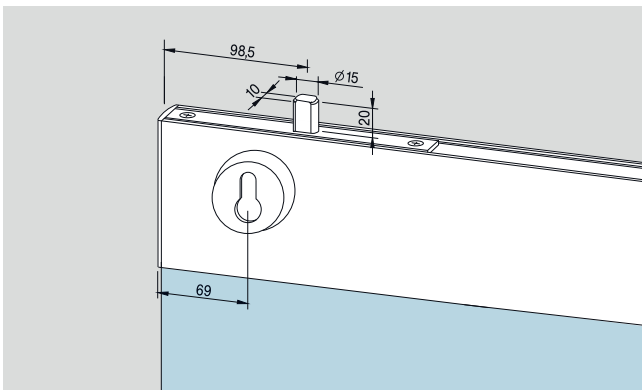
Weight in kg/m:	
aluminium	5.233
stainless steel	6.323



Top rail
with 15 mm Ø pivot pin
100 mm:
76.5 mm:

Art. No. 04.104
Art. No. 04.004

Weight in kg/m	100 mm	76.5 mm
aluminium	5.000	3.908
stainl. steel	5.975	4.606



...and top locking lock, prepared for Europrofile cylinder, single throw with corrosion resistant bolt and hardened safety roll pin
100 mm:
76.5 mm:

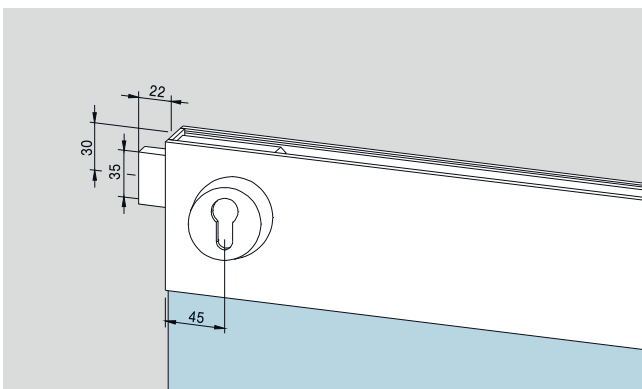
Art. No. 04.114
Art. No. 04.014

Weight in kg/m	100 mm	76.5 mm
aluminium	5.335	4.243
stainl. steel	6.425	5.056

Not illustrated:
...with top locking lock prepared for KABA, single throw with corrosion resistant bolt and hardened safety roll pin
100 mm:
76.5 mm:

Art. No. 04.166
Art. No. 04.066

Weight in kg/m	100 mm	76.5 mm
aluminium	5.335	4.243
stainl. steel	6.425	5.056



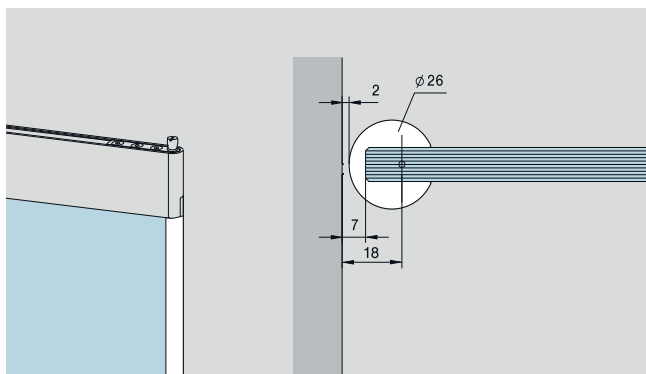
...with side locking lock, prepared for Europrofile cylinder, double throw
100 mm:

Art. No. 04.124

Weight in kg/m:	
aluminium	5.233
stainless steel	6.323

RADIUSED EDGING STRIP

Acryl, transparent, to clamp onto free glass edge. For optimal pinch protection. For application with door rails with 18 mm pivot point.



Radiused edging strip

Please indicate door height and type of fitting with order.

up to 4500 mm length
fixed length: 2250 mm

Art. No. 01.231

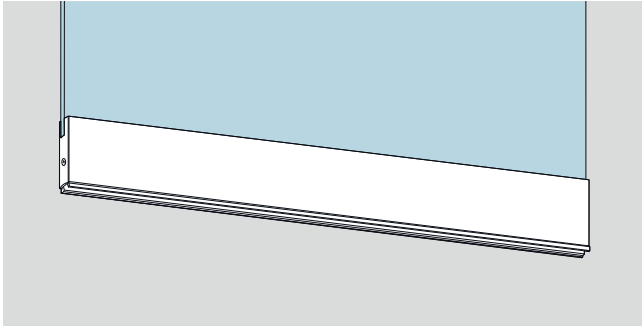
Art. No. 01.230

Notice:

When radiused edging strip is used the following glass measurement is valid:
door rail width – 5 mm.

RAILS FOR SIDE PANEL

complete, for 10 mm glass thickness

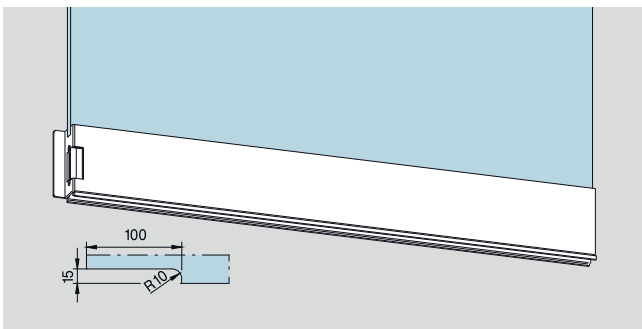


Bottom rail for side panel,
up to approx. 6000 mm long
with rail filler insert 7 mm
100 mm:
76.5 mm:

Art. No. 04.301

Art. No. 04.201

Weight in kg/m	100 mm	76.5 mm
aluminium	5.604	4.504
stainl. steel	6.494	5.273

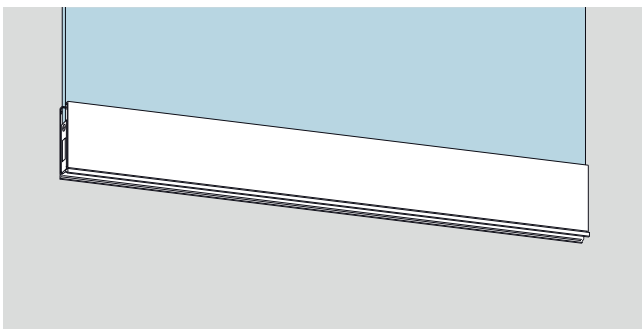


...with electric strike release
(standard: fail secure function,
6 to 12 V -/~), door width up
to 1200 mm (> 1200 mm on
request)
100 mm:

Art. No. *04.0311/04.313

Weight in kg/m:

aluminium	5.116
stainless steel	6.055

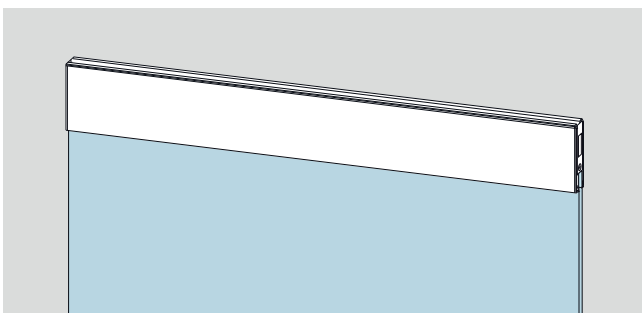


...with strike-box for side bolt
locking, door width up to
1200 mm (> 1200 mm on
request)
100 mm:

Art. No. 04.315

Weight in kg/m:

aluminium	4.979
stainless steel	5.918



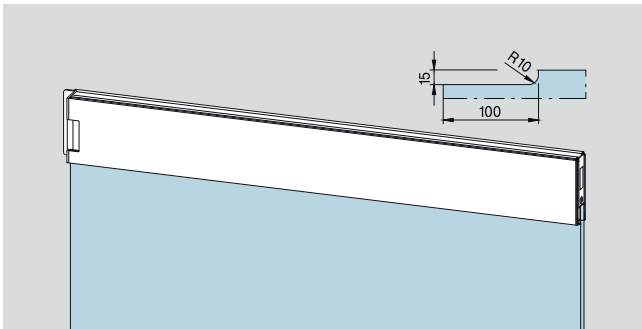
Top rail for side panel,
up to approx. 6000 mm long
with rail filler insert 3 mm
100 mm:
76.5 mm:

Art. No. 04.302

Art. No. 04.202

Weight in kg/m	100 mm	76.5 mm
aluminium	5.441	4.341
stainl. steel	6.331	5.110

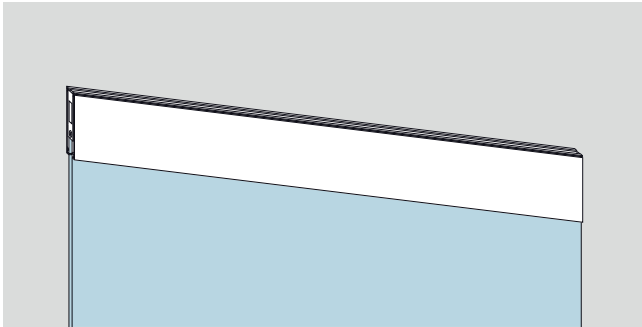
* Left / right hand (illustration shows right hand) are determined by view from hanging side.



...with electric strike release
 (standard: fail secure function,
 6 to 12 V -/~)
 100 mm:

Art. No. *04.312 / 04.314

Weight in kg/m:
 aluminium 5.578
 stainless steel 6.468



...with strike-box for side bolt
 locking
 100 mm:

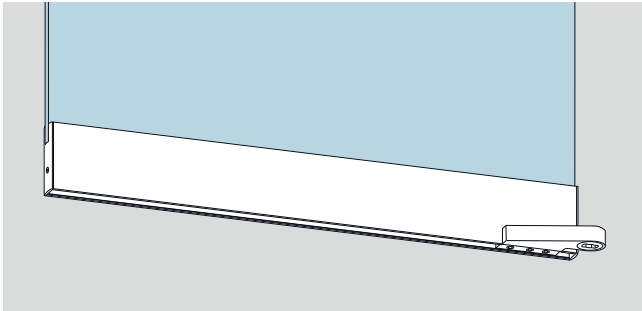
Art. No. 04.316

Weight in kg/m:
 aluminium 5.441
 stainless steel 6.331

* Left / right hand (illustration shows right hand) are determined by view from hanging side.

DOOR RAILS FOR OFFSET HUNG DOORS IN TOUGHENED GLASS ASSEMBLIES WITHOUT REBATED FRAMES

Complete, for 10 mm glass thickness, strap 34 mm, without free glass edges, pivot point to glass surface 43 mm

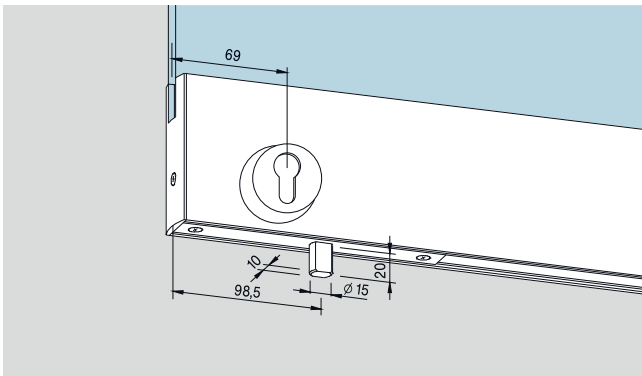


Bottom rail

100 mm:
76.5 mm:

Art. No. *04.131 / 04.133
Art. No. *04.031 / 04.033

Weight in	100	76.5
kg/m	mm	mm
aluminium	5.359	4.257
stainl. steel	6.792	5.555

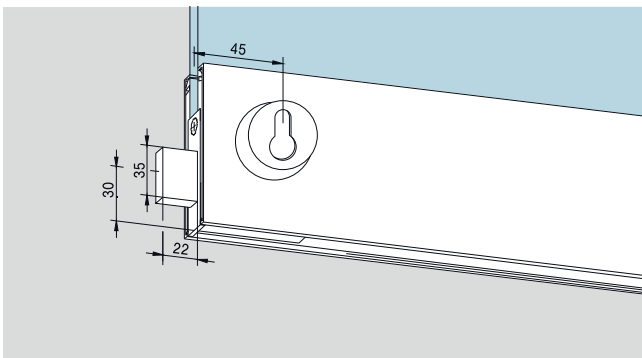


...with floor locking lock,
prepared for Europrofile cylinder,
single throw with corrosion
resistant bolt and hardened
safety roll pin

100 mm:
76.5 mm:

Art. No. *04.151 / 04.153
Art. No. *04.051 / 04.053

Weight in	100	76.5
kg/m	mm	mm
aluminium	5.694	4.592
stainl. steel	7.242	6.005



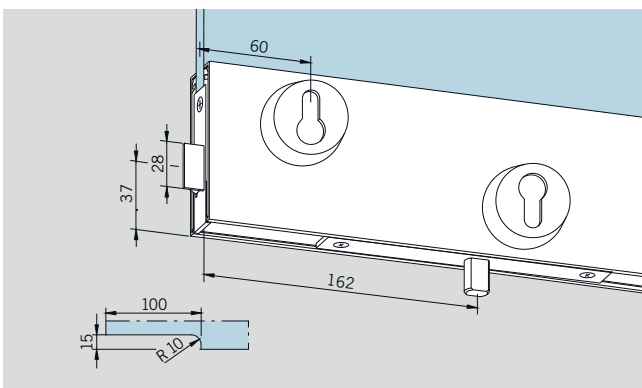
...with side locking lock,
prepared for Europrofile cylinder,
double throw

100 mm:

Art. No. *04.171 / 04.173

Weight in kg/m:

aluminium	5.592
stainless steel	7.140



...with floor locking lock,
prepared for Europrofile cylinder,
single throw with corrosion
resistant bolt and hardened
safety roll pin and latch bolt at
side for electric strike release

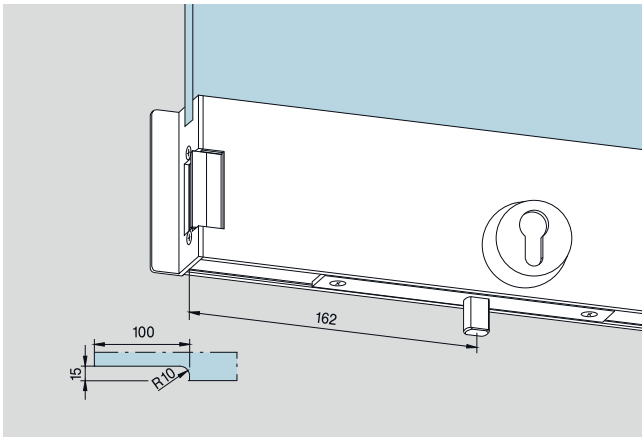
100 mm:

Art. No. *04.179 / 04.181

Weight in kg/m:

aluminium	6.890
stainless steel	8.563

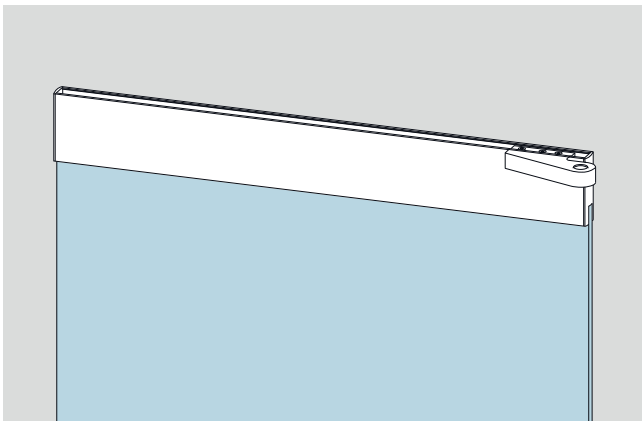
* Left / right hand (illustration shows right hand) are determined by view from hanging side.



Bottom rail with floor locking lock, prepared for Europrofile cylinder, single throw with corrosion resistant bolt and hardened safety roll pin and electric strike release at side (Standard: fail secure function, 6 to 12 V -/-) 100 mm:

Art. No. *04.183 / 04.185
(for Art. No. 4.181 / 04.179)

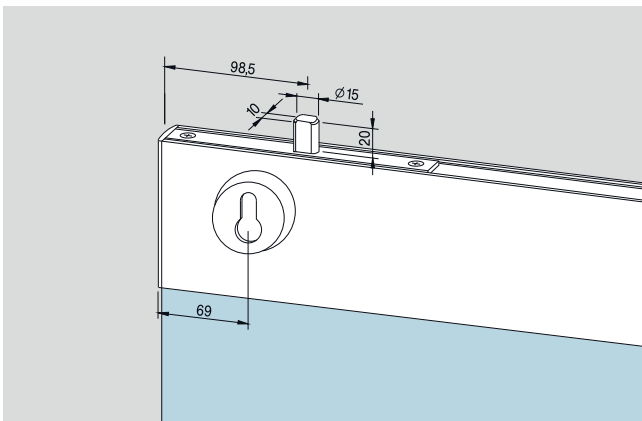
Weight in kg/m:
aluminium 5.837
stainless steel 7.385



Top rail
100 mm:
76.5 mm:

Art. No. *04.132 / 04.134
Art. No. *04.032 / 04.034

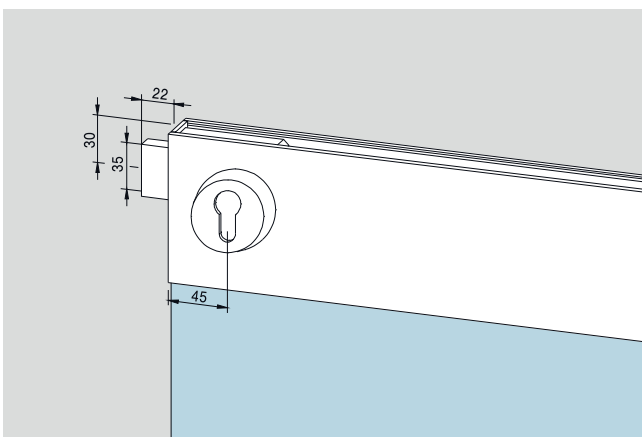
Weight in kg/m	100 mm	76.5 mm
aluminium	5.289	4.187
stainl. steel	6.759	5.522



...with top locking lock, prepared for Europrofile cylinder, single throw with corrosion resistant bolt and hardened safety roll pin 100 mm:
76.5 mm:

Art. No. *04.152 / 04.154
Art. No. *04.052 / 04.054

Weight in kg/m	100 mm	76.5 mm
aluminium	5.624	4.522
stainl. steel	7.209	5.972

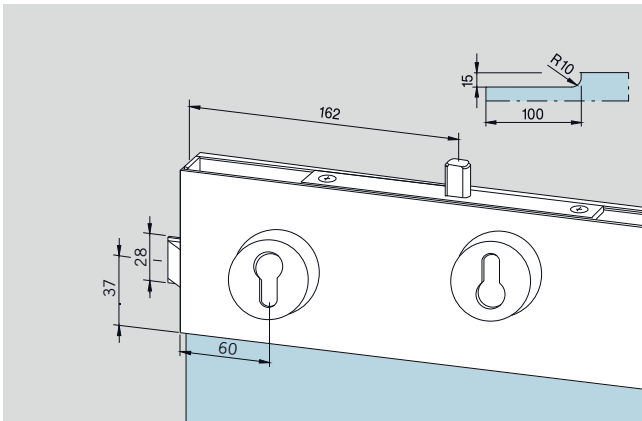


...with side locking lock, prepared for Europrofile cylinder, double throw 100 mm:

Art. No. *04.172 / 04.174

Weight in kg/m:
aluminium 5.522
stainless steel 7.107

* Left / right hand (illustration shows right hand) are determined by view from hanging side.

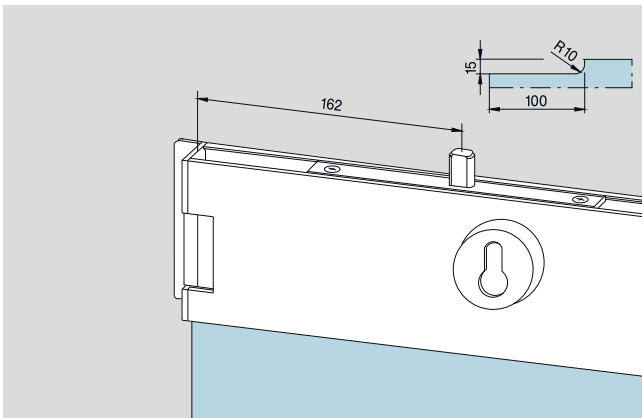


Top rail

with top locking lock, prepared for Europrofile cylinder, single throw with corrosion resistant bolt and hardened safety roll pin and latch bolt at side for electric strike release 100 mm:

Art. No. **04.180 / 04.182

Weight in kg/m:
 aluminium 6.820
 stainless steel 8.530



...with top locking lock, prepared for Europrofile cylinder, single throw with corrosion resistant bolt and hardened safety roll pin and electric strike release (Standard: fail secure function, 6 to 12 V -/~) 100 mm:

Art. No. *04.184 / 04.186
 (for Art. No. 04.182 / 04.180)

Weight in kg/m:
 aluminium 5.767
 stainless steel 7.352

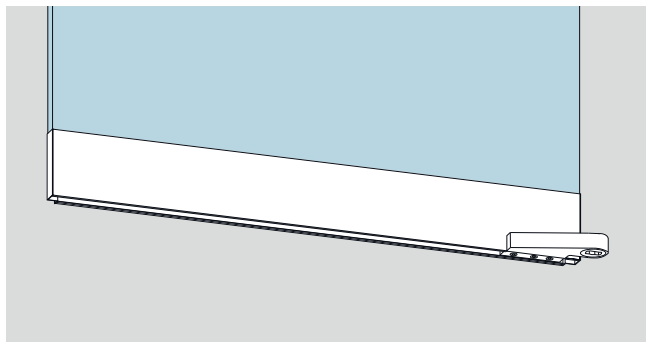
* Left / right hand (illustration shows right hand) are determined by view from hanging side.

** Left / right hand (illustration shows left hand) are determined by view from hanging side.

DOOR RAILS FOR OFFSET HUNG DOORS IN REBATED FRAMES

With 24 mm rebate depth

Complete, for 10 mm glass thickness, strap 40 mm, with free glass edge left and right, pivot point to glass surface 50 mm



Bottom rail

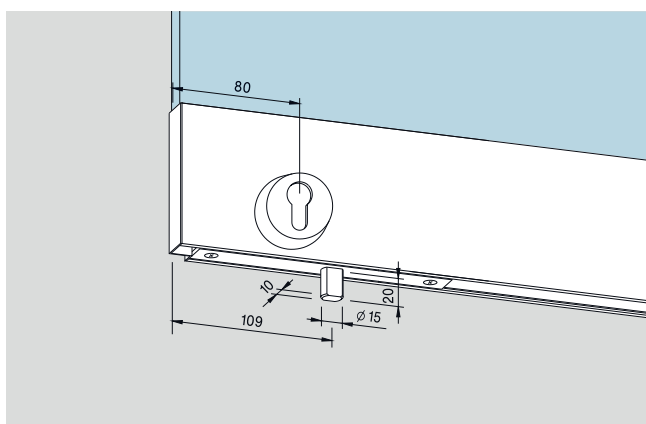
100 mm:

76.5 mm:

Art. No. *04.135 / 04.137

Art. No. *04.035 / 04.037

Weight in kg/m	100 mm	76.5 mm
aluminium	5.251	4.181
stainl. steel	6.602	5.407



...with floor locking lock, prepared for Europrofile cylinder, single throw with corrosion resistant bolt and hardened safety roll pin

100 mm:

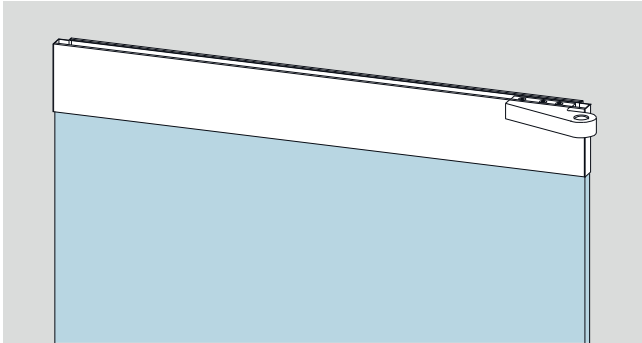
76.5 mm:

Art. No. *04.155 / 04.157

Art. No. *04.055 / 04.057

Weight in kg/m	100 mm	76.5 mm
aluminium	5.586	4.516
stainl. steel	7.052	5.857

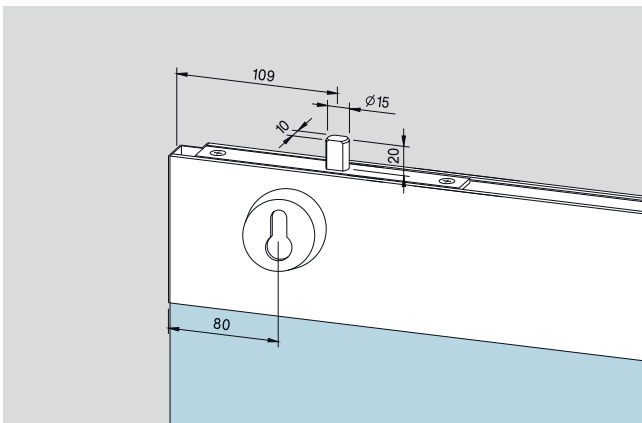
* Left / right hand (illustration shows right hand) are determined by view from hanging side.



Top rail
 100 mm:
 76.5 mm:

Art. No. *04.136 / 04.138
Art. No. *04.036 / 04.038

Weight in kg/m	100 mm	76.5 mm
aluminium	5.181	4.111
stainl. steel	6.569	5.374



...with top locking lock,
 prepared for Europrofile cylinder,
 single throw with corrosion
 resistant bolt and hardened
 safety roll pin
 100 mm:
 76.5 mm:

Art. No. *04.156 / 04.158
Art. No. *04.056 / 04.058

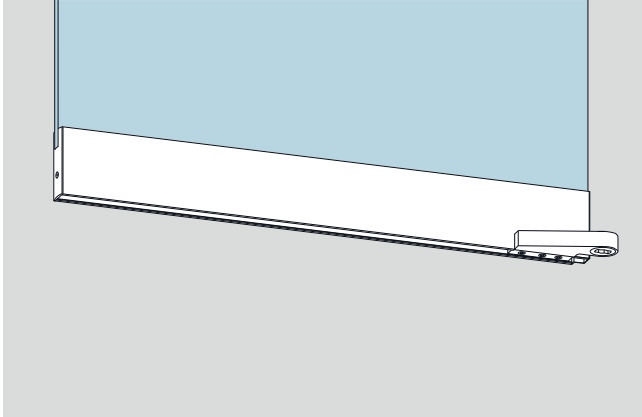
Weight in kg/m	100 mm	76.5 mm
aluminium	5.516	4.446
stainl. steel	7.019	5.824

* Left / right hand (illustration shows right hand) are determined by view from hanging side.

DOOR RAILS FOR OFFSET HUNG DOORS IN REBATED FRAMES

With 24 mm rebate depth

Complete, for 10 mm glass thickness, strap 40 mm, with 15 mm free glass edge of hanging stile, pivot point to glass surface 50 mm



Bottom rail

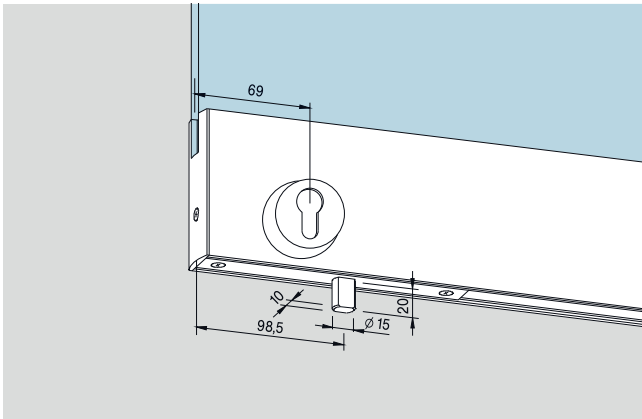
100 mm:

76.5 mm:

Art. No. *04.139 / 04.141

Art. No. *04.039 / 04.041

Weight in kg/m	100 mm	76.5 mm
aluminium	5.305	4.219
stainl. steel	6.507	5.482



...with floor locking lock, prepared for Europrofile cylinder, single throw with corrosion resistant bolt and hardened safety roll pin

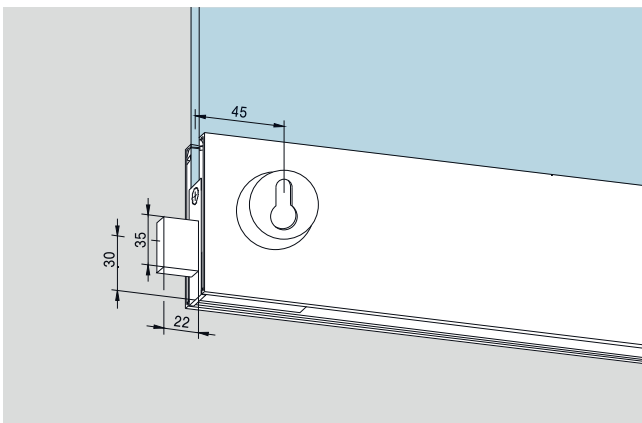
100 mm:

76.5 mm:

Art. No. *04.159 / 04.161

Art. No. *04.059 / 04.061

Weight in kg/m	100 mm	76.5 mm
aluminium	5.640	4.554
stainl. steel	6.957	5.932



...with side locking lock, prepared for Europrofile cylinder, double throw

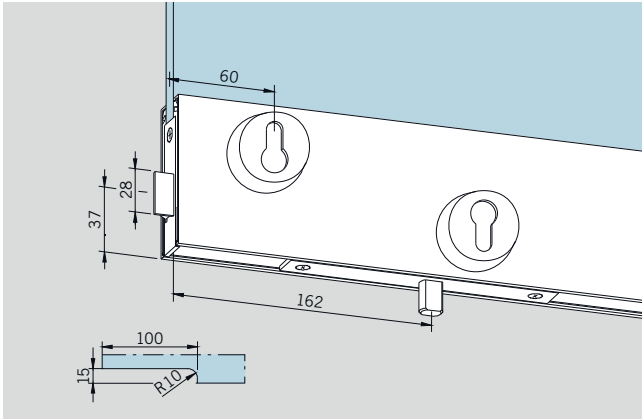
100 mm:

Art. No. *04.175 / 04.177

Weight in kg/m:

aluminium	5.538
stainless steel	6.855

* Left / right hand (illustration shows right hand) are determined by view from hanging side.

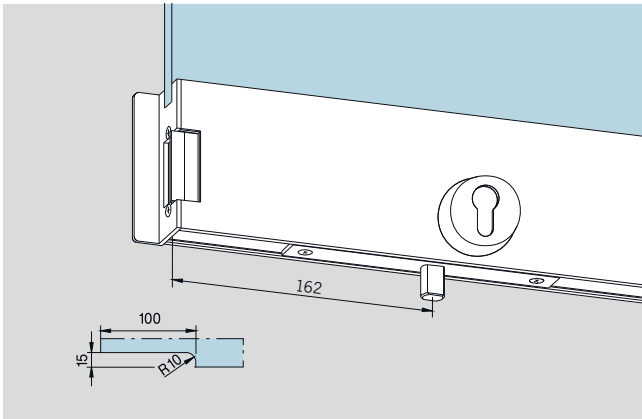


Bottom rail

with floor locking bolt lock,
prepared for Europrofile cylinder,
single throw with corrosion
resistant bolt and hardened
safety roll pin and latch lock
at side for electric strike release
100mm:

Art. No. *04.143 / 04.145

Weight in kg/m:
aluminium 5.803
stainless steel 7.306

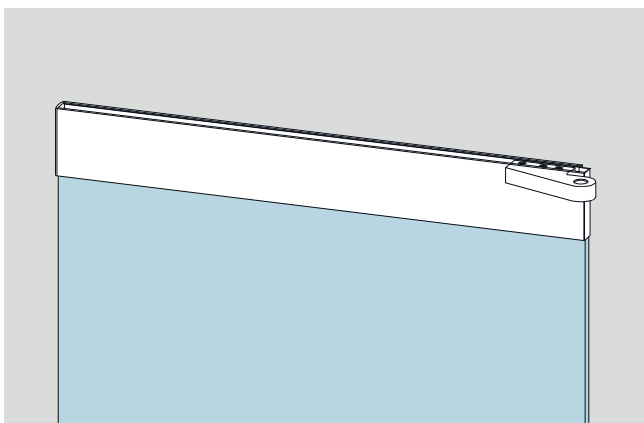


...with floor locking bolt lock,
prepared for Europrofile cylinder,
single throw with corrosion
resistant bolt and hardened
safety roll pin and electric strike
release at side (Standard: fail
secure function, 6 to 12 V -/~)
100 mm:

Art. No. *04.147 / 04.149

Weight in kg/m:
aluminium 5.653
stainless steel 7.150

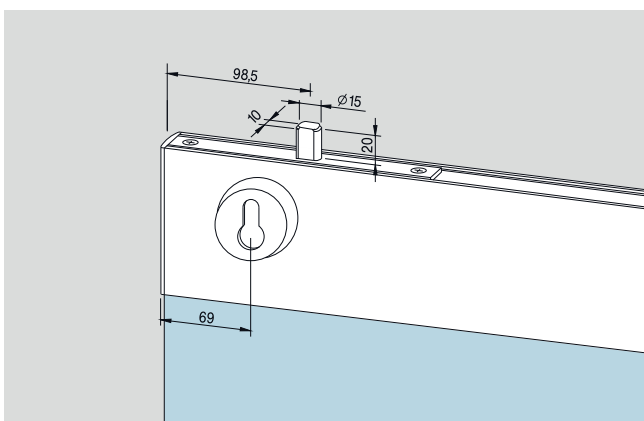
* Left / right hand (illustration shows right hand) are determined by view from hanging side.



Top rail
 100 mm:
 76.5 mm:

Art. No. *04.140 / 04.142
Art. No. *04.040 / 04.042

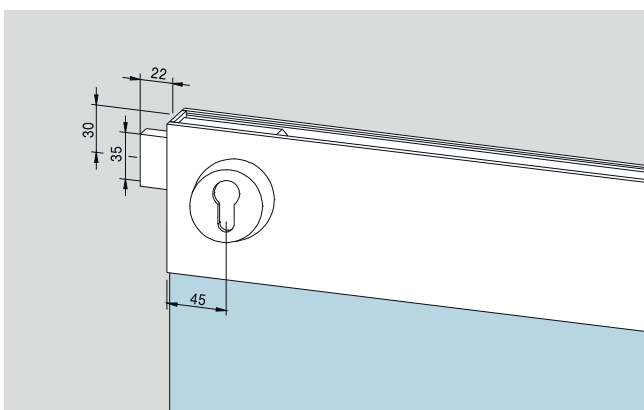
Weight in	100	76.5
kg/m	mm	mm
aluminium	5.235	4.149
stainl. steel	6.474	5.449



...with top locking lock,
 prepared for Europrofile cylinder,
 single throw with corrosion
 resistant bolt and hardened
 safety roll pin
 100 mm:
 76.5 mm:

Art. No. *04.160 / 04.162
Art. No. *04.060 / 04.062

Weight in	100	76.5
kg/m	mm	mm
aluminium	5.570	4.484
stainl. steel	6.924	5.899

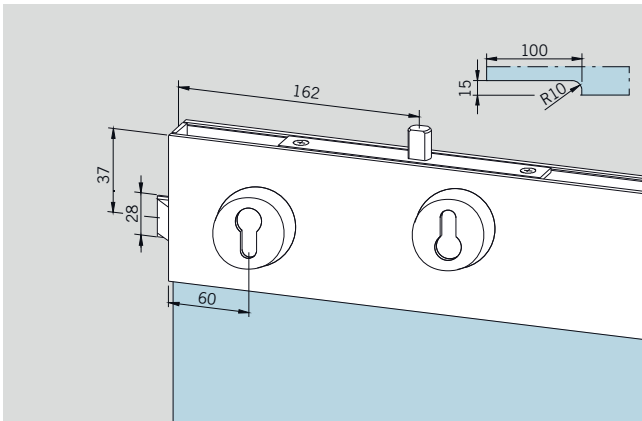


...with side locking lock,
 prepared for Europrofile cylinder,
 double throw
 100 mm:

Art. No. *04.176 / 04.178

Weight in kg/m:		
aluminium	5.468	
stainless steel	6.822	

* Left / right hand (illustration shows right hand) are determined by view from hanging side.

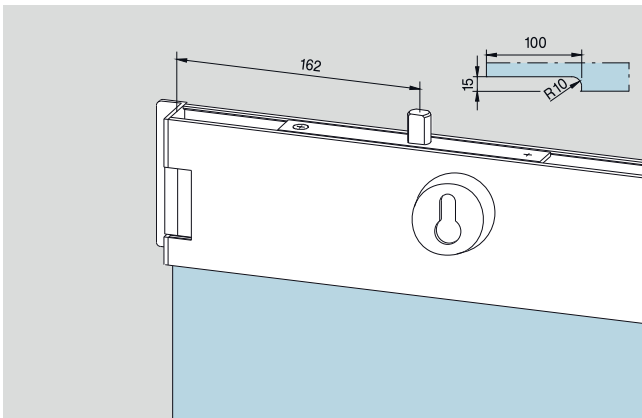


Top rail

with top locking lock, prepared for Europrofile cylinder, single throw with corrosion resistant bolt and hardened safety roll pin and latch bolt at side for electric strike release 100 mm:

Art. No. *04.144 / 04.146

Weight in kg/m:
 aluminium 5.733
 stainless steel 7.236



...with top locking bolt lock, prepared for Europrofile cylinder, single throw with corrosion resistant bolt and hardened safety roll pin and electric strike release at side (Standard: fail secure function, 6 to 12 V -/~) 100 mm:

Art. No. **04.148 / 04.150
 (for Art. No. 04.182 / 04.180)

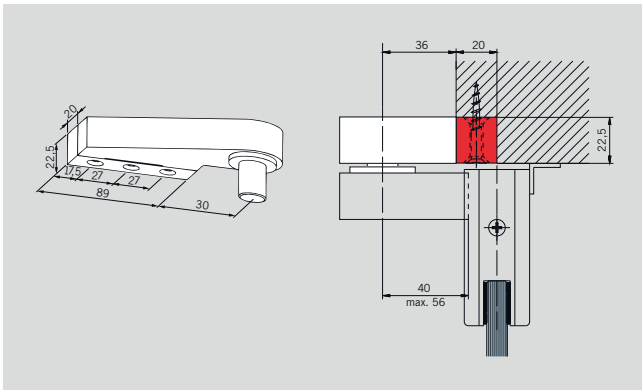
Weight in kg/m:
 aluminium 5.583
 stainless steel 7.080

* Left / right hand (illustration shows left hand) are determined by view from hanging side.

** Left / right hand (illustration shows right hand) are determined by view from hanging side.

TOP CENTRE FRAME PORTION

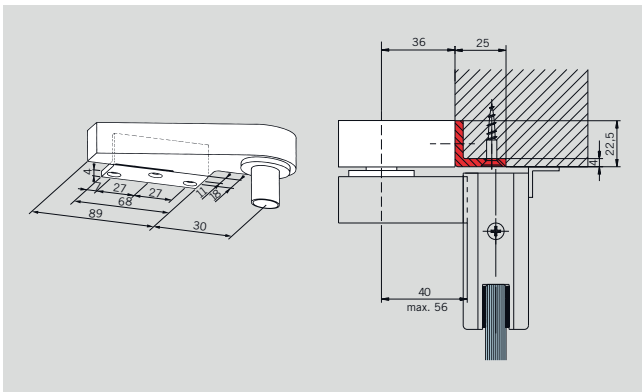
with patch fittings see Technical Information EA



Frame top centre
with fixing block

Art. No. 02.150

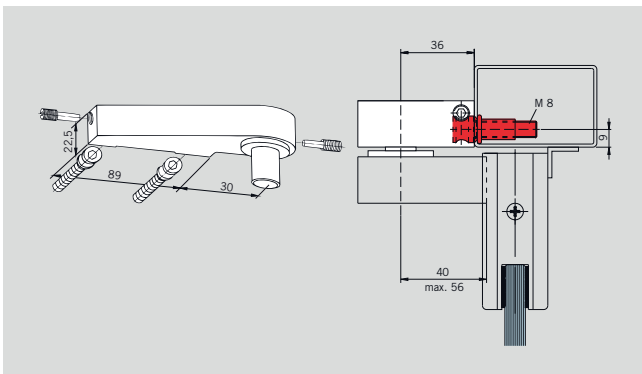
Weight in kg:
aluminium 0.471



Frame top centre
with angle bracket

Art. No. 02.151

Weight in kg:
aluminium 0.453

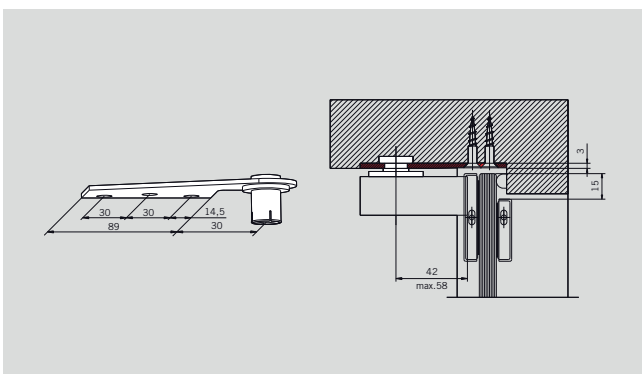


Frame top centre
with special wedge screw fixings

Art. No. *02.152 / 02.153

Weight in kg:
aluminium 0.390

Drill jig:
Art. No. 8.02.081.001.50



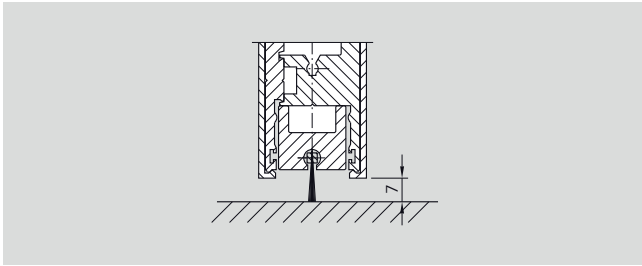
Frame top centre
AT 212 GSR with fixing plate

Art. No. *02.340 / 02.341

Weight in kg:
stainless steel 0.215

* Left / right hand (illustration shows right hand) are determined by view from hanging side.

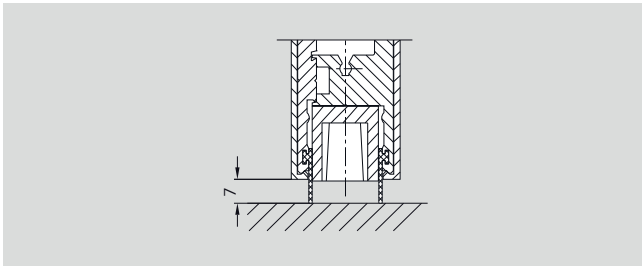
SPECIAL ACCESSORIES AND SPECIAL INSERTS FOR DOOR RAILS



Aluminium profile with brush seal to prevent draughts and energy loss (not in the area of inserts, locks, etc.), connected with door rail at manufacturer

Art. No. 04.600

Weight in kg/m: 0.753

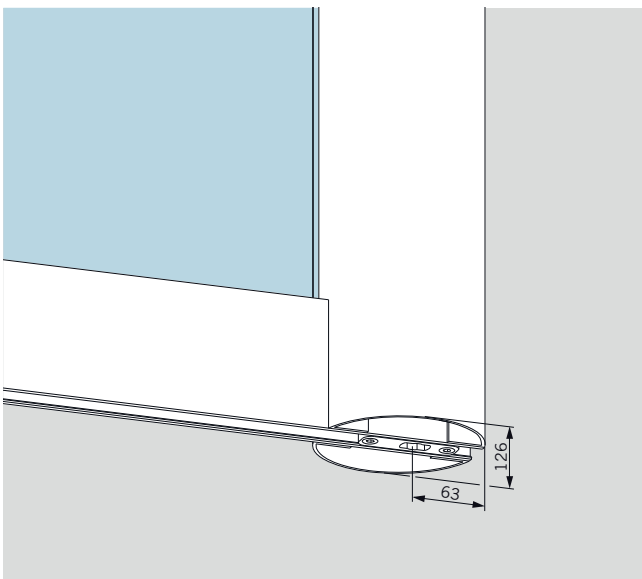


Rubber sealing for door rails (also in the area of inserts, locks, etc.)
fixed length
stock length 200 m (= 1 coil)

Art. No. 04.607

Art. No. 04.608

Weight in kg/m: 0.099



Aluminium round profile
for pinch free doors with 65 mm pivot point, consisting of 2 halves, prepared for Universal fittings or door rails (76.5 mm or 100 mm).
Please indicate:

- Panel height (max. 2500 mm, higher dim. on request)
- Required preparation of the profile for top and bottom fittings

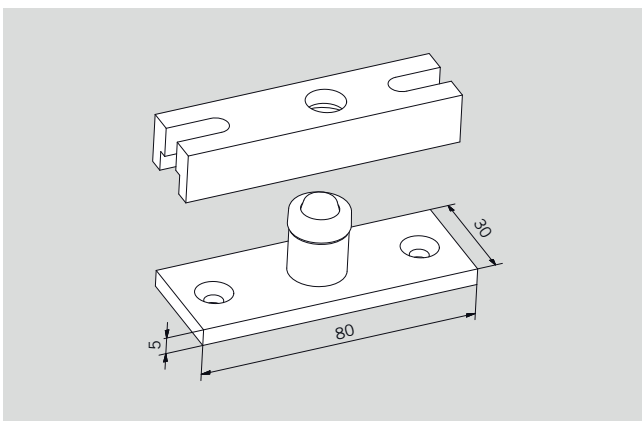
fixed length
stock length 6000 mm (not prepared)
stock length 3000 mm (not prepared)

Art. No. 03.380

Art. No. 03.381

Art. No. 03.382

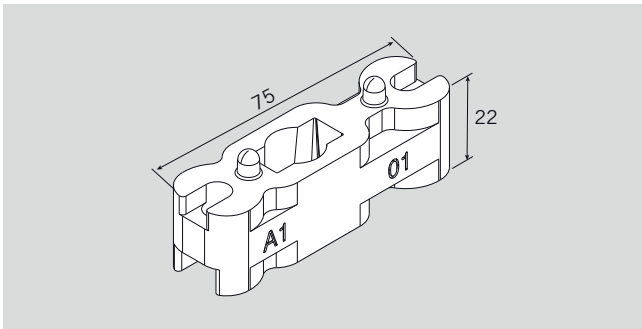
Weight in kg/m:
aluminium 4.744



Screw-on floor bearing
for damp environment, without floor recess, with inserts for door rails, max. 80 kg

Art. No. 01.136

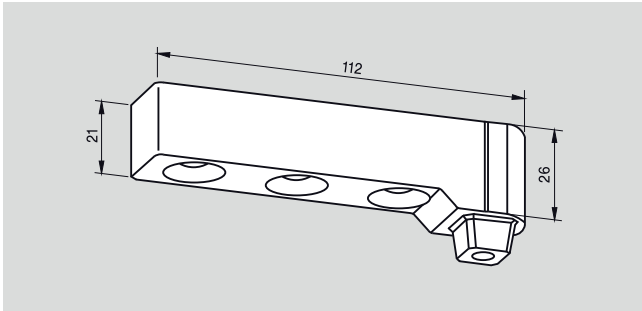
Weight in kg: 0.193



Bottom insert for DORMA floor spring spindle profile or round pivot 14 mm Ø, (DORMA floor spring BTS or floor bearing Art. No. 01.106 and 01.107), stainless steel, 55/65 mm pivot point, max. door weight 80 kg

Art. No. 04.604

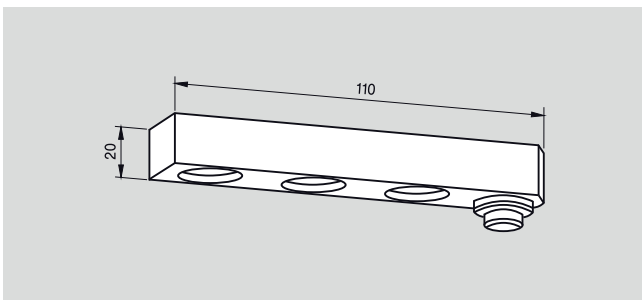
Weight in kg: 0.243



Bottom strap, steel, zinc plated, with spindle insert to suit DORMA floor springs, 18 mm pivot point, max. door weight 80 kg

Art. No. 804.167.001.55

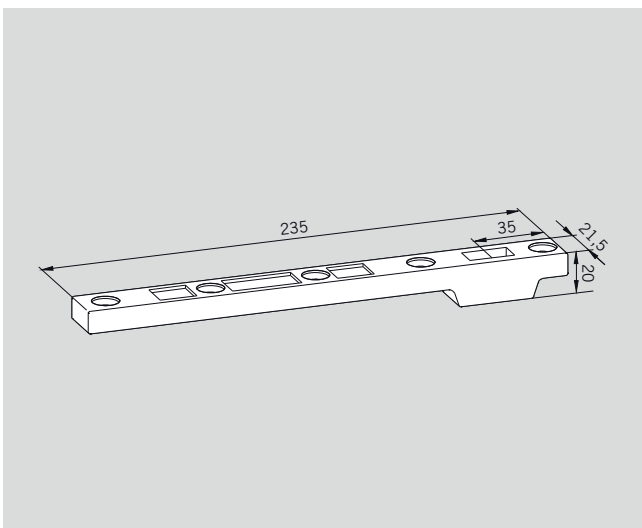
Weight in kg: 0.349



Bottom strap, aluminium, to suit floor bearings 01.106 and 01.107, 18 mm pivot point, max. door weight 80 kg

Art. No. 804.060.002.50

Weight in kg: 0.129



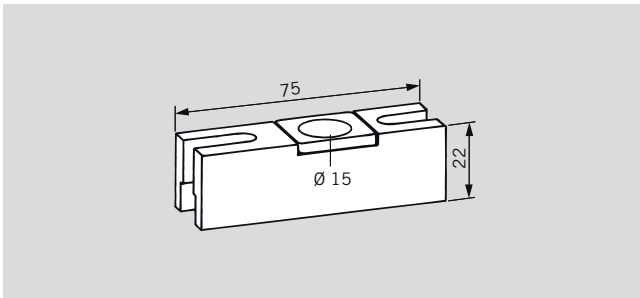
Bottom strap in forged steel special edition, mounted in door rails, to suit DORMA floor spring spindles. (Also suitable for floor bearing 04.602, 04.603. Not suitable for floor bearing with round pivot.)

Art. No. 04.605

Weight in kg: 0.385

For centre hung doors

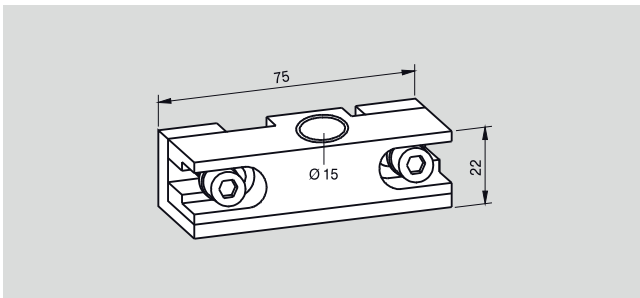
- normal frequented doors, max. door weight 150 kg, max. door width 1400 mm
 - high frequented doors, max. door weight 120 kg, max. door width 1200 mm
- Pivot point either 55 or 65 mm (please specify with order).



Top insert
55/65 mm pivot point,
aluminium

Art. No. 04.610

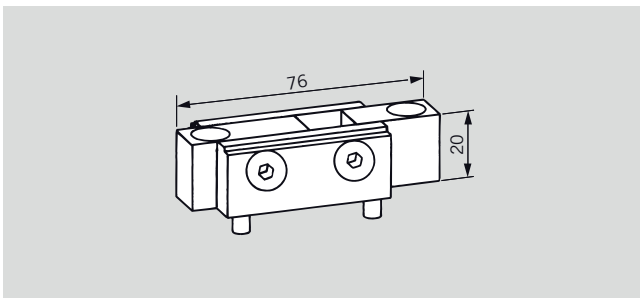
Weight in kg: 0.091



Top insert, two part,
aluminium, special,
55/65 mm pivot point
(not in standard door rail)

Art. No. 04.606

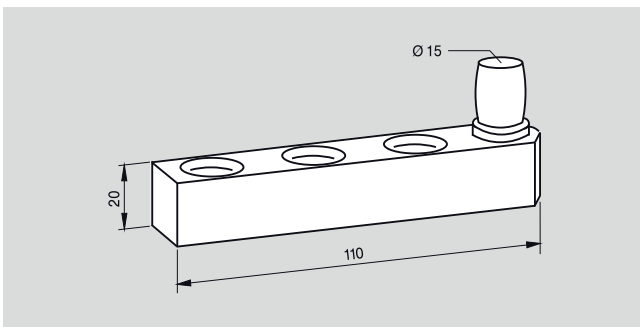
Weight in kg: 0.088



Top insert
for DORMA RTS transom closer,
zinc plated steel, 65 mm pivot
point

Art. No. 04.611

Weight in kg: 0.240



Top strap
aluminium, 18 mm pivot point

Art. No. 804.060.001.50

Weight in kg: 0.131

VISUR

General information

94

Technical details

96

Complete sets

97

Components

99

Accessories

132

Safety-related information

157



VISUR PUREST CLARITY

All-glass double-action doors without any visible fixings? Meet VISUR, a system patented for DORMA that secures double-action glass doors without the need for any visually disruptive functional elements. VISUR presents the door in perfect transparency. Rather than cluttering the clear outline of the leaf, the hardware compo-

nents are all located in the surrounding structures. This absence of fittings means that the all-glass double-action door will match any room style, making the VISUR system a real boon to interior architecture.

100 % TRANSPARENT 100 % DURABLE

Frameless from top to toe – that's the VISUR's claim to fame, making life easier for architects and specifiers alike. Because they can choose any material and any colour for the surrounding structures. The VISUR system simply remains a discrete presence, fitting in with every design idea and reflecting it to maximum advantage.

Having successfully completed 500,000 operating cycles in its endurance test, there can be little doubt as to its outstanding quality – a 100 % DORMA product in every respect.



TRANSOM-CONCEALED DOOR CLOSER

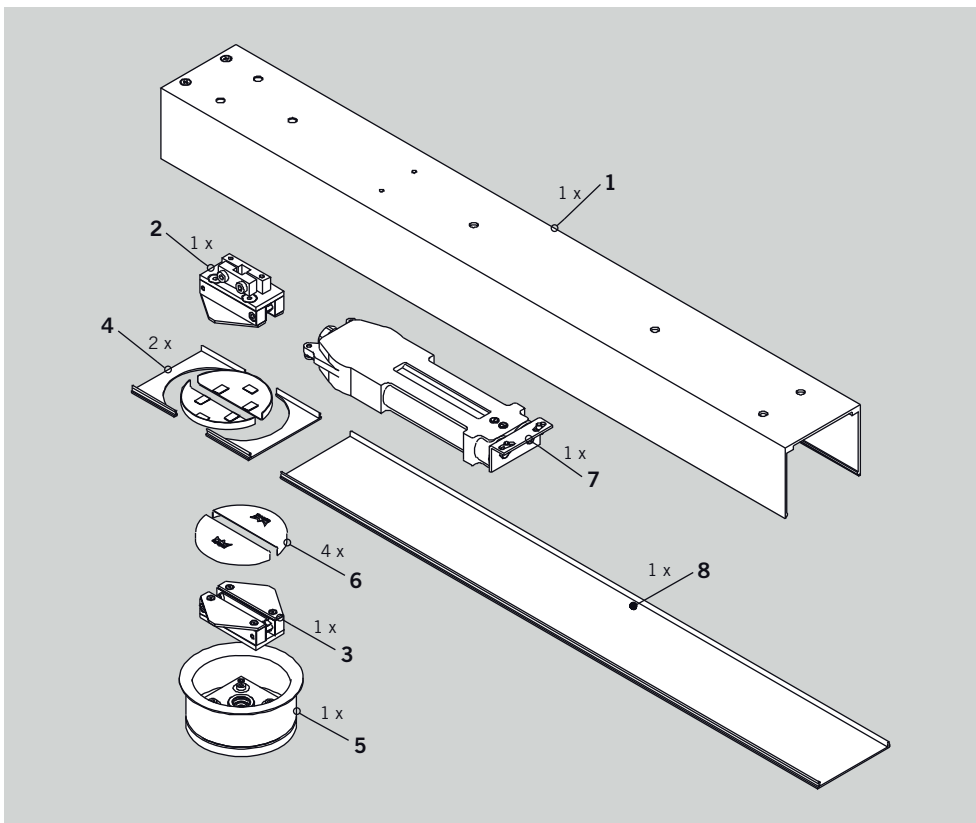
In the case of VISUR all-glass double-action door, the closing function is performed invisibly by the transom-concealed RTS 85 EN 3 door closer. This not only reliably returns the door to its zero position after each opening action, but also – thanks to special check back

damping – protects the leaf from careless impact arising from excessive opening force. Thanks to a hold-open feature included as standard, the door can also be retained at an opening angle of 90°. Clampable projections – leaf-integral 'tongues' – provide the mating connection for the

concealed pivot fittings top and bottom. Hidden within the floor is the bottom bearing housing with the pivot bearing mounting designed for an offset of 65 mm. The depth of installation is 64 mm and the diameter of the bearing housing is just 126 mm.

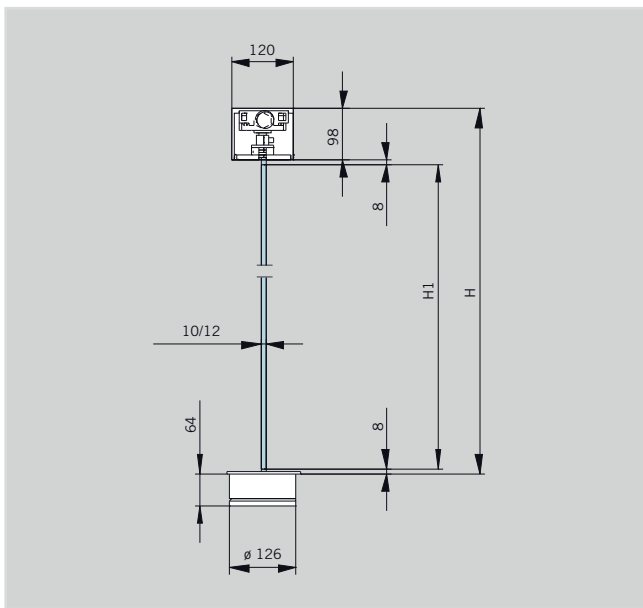


SCOPE OF DELIVERY



- 1** transom tube for installation under the ceiling
1 part for max. panel width 1100 mm
2 parts for max. panel width 2 x 1100 mm
- 2** glass clamping piece top
- 3** glass clamping piece bottom
- 4** cover profile parts for door closer pivot pin 90 mm
- 5** bottom bearing housing with cover ring
- 6** cover caps
- 7** RTS 85 EN 3, 90° retainer
- 8** transom tube cover

TECHNICAL DETAILS



Materials and finishes

- Aluminium, silver anodised 114, alumin. EV1-Deco,

Dimensions

- Glass thickness: 10 / 12 mm
- max. door panel weight: 85 kg
- max. door panel width (B1): 1100 mm
- max. door panel height (H1): 2500 mm

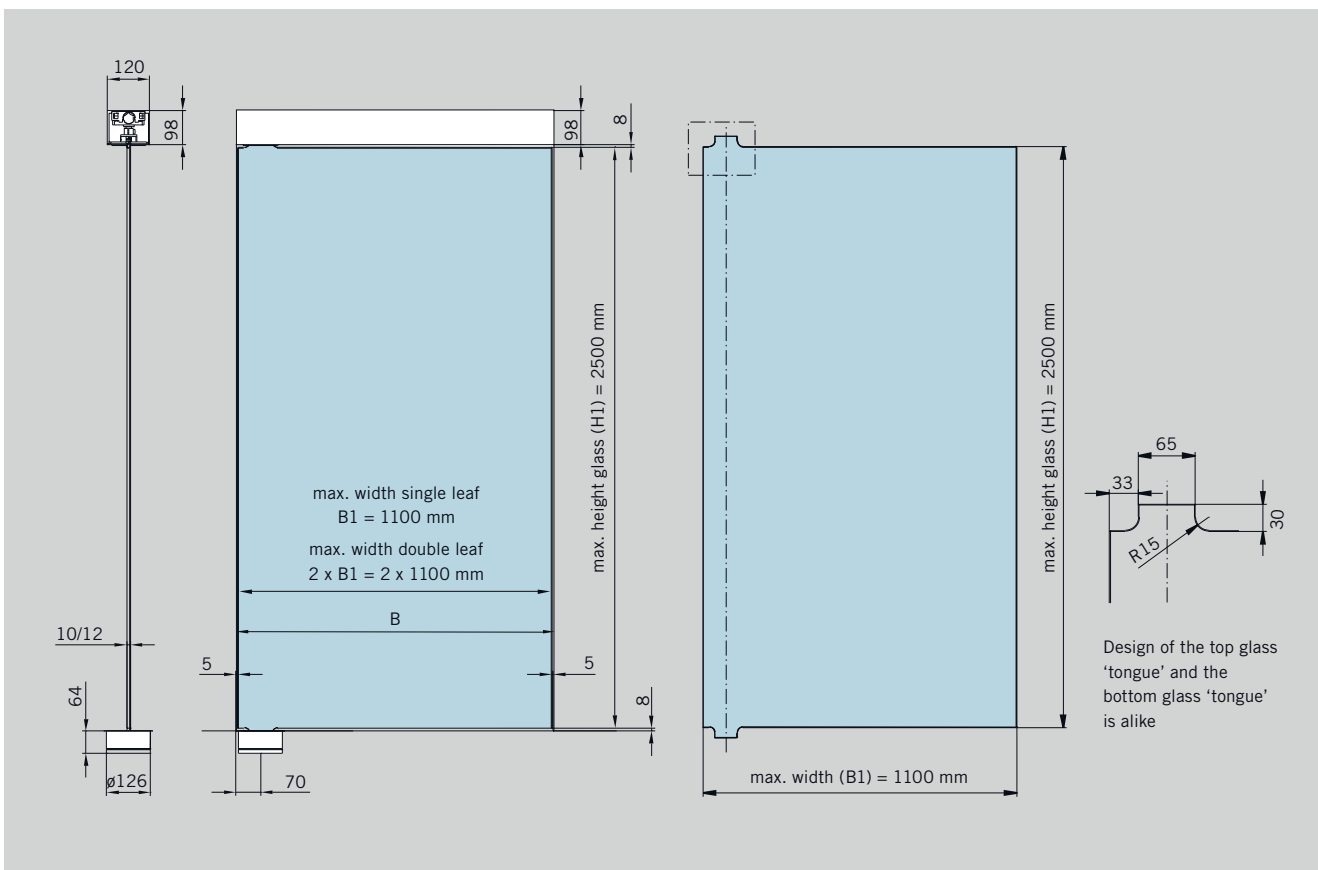
Calculation of

glass measurements:

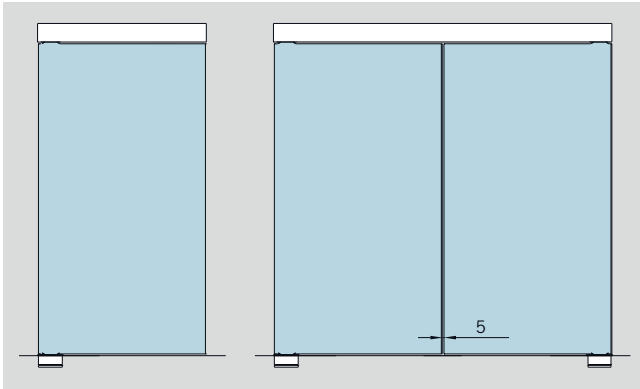
$$H1 = H - 114$$

$$B1 \text{ single leaf} = B - 10$$

$$B1 \text{ double leaf} = \frac{B - 15}{2}$$



VISUR COMPLETE SETS



Complete set for single leaf doors incl. transom tube, RTS 85, top and bottom pivot

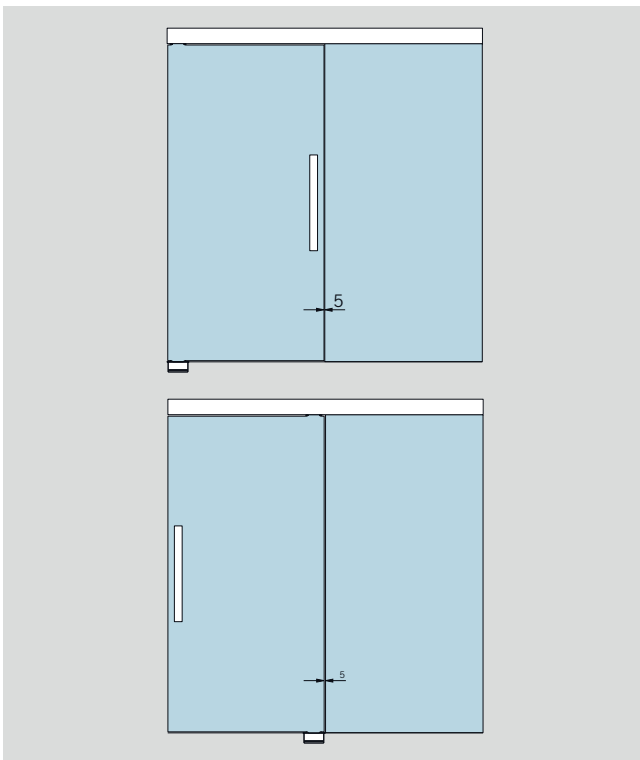
Art. No. 03.770

do. for double leaf door

Art. No. 03.771

Attention:

Please indicate with your order clear width in mm

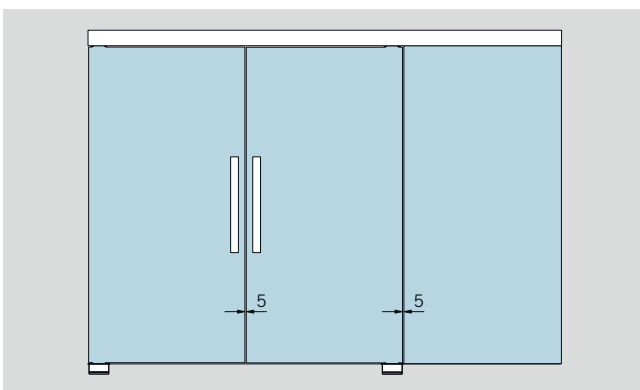


Complete set for single leaf doors with fixed sidelight, incl. transom tube, RTS 85, top and bottom pivot

Art. No. 03.790

Attention:

Please indicate with your order the clear width and the width of sidelights and doors in mm



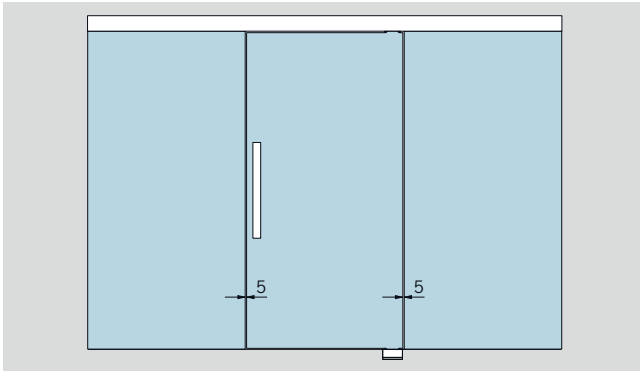
do. for double leaf door with fixed sidelight

Art. No. 03.791

Attention:

Please indicate with your order the clear width and the width of sidelights and doors in mm

VISUR COMPLETE SETS

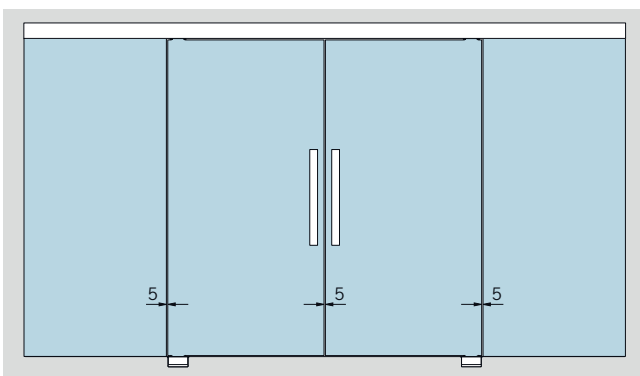


Complete set for single leaf doors with two fixed sidelights, incl. transom tube, RTS 85, top and bottom pivot

Art. No. 03.792

Attention:

Please indicate with your order the clear width and the width of sidelights and doors in mm



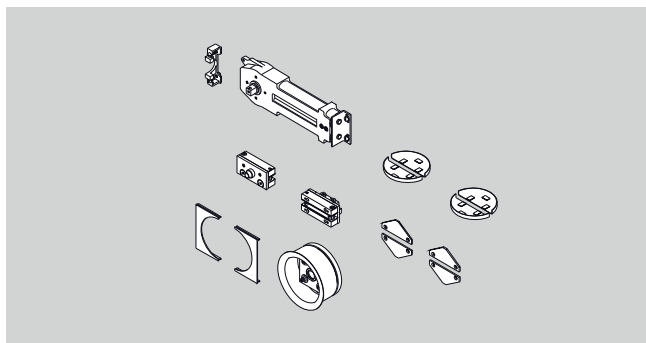
do. for double leaf door with two fixed sidelights

Art. No. 03.793

Attention:

Please indicate with your order the clear width and the width of sidelights and doors in mm

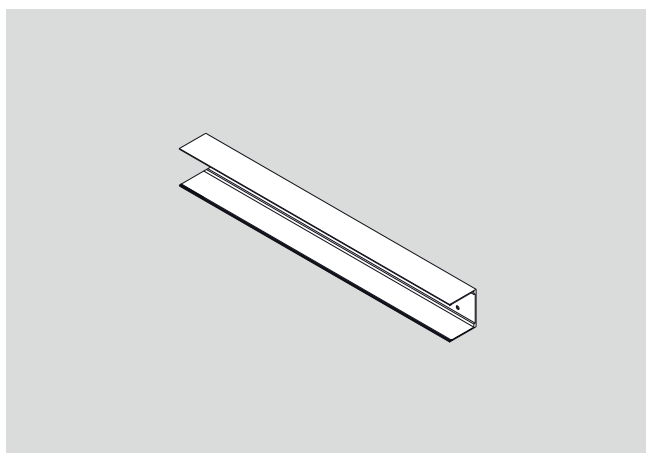
VISUR COMPONENTS

**VISUR set**

composed of RTS 85, top and bottom pivot

Art. No. 03.772**VISUR set**

composed of top and bottom pivot, (without RTS 85)

Art. No. 03.773**VISUR transom tube profile**

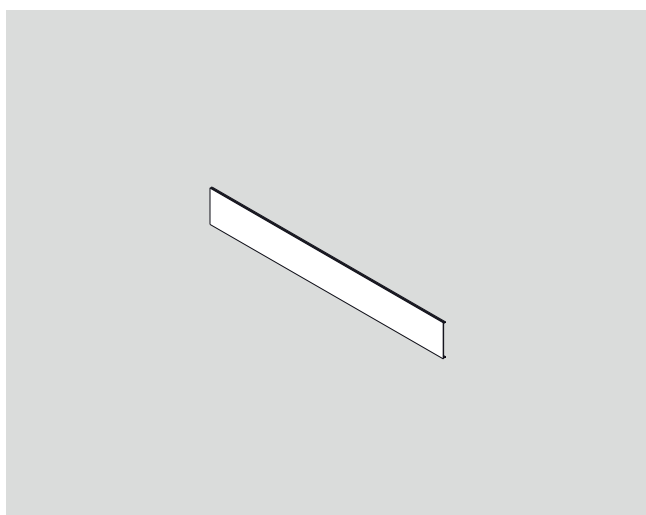
for single leaf doors
(max. 1100 mm door panel width), in fixed length
(please indicate with your order the clear width in mm)

Art. No. 03.775

do. for double leaf doors
(max. 2 x 1100 mm door panel width), in fixed length
(please indicate with your order the clear width in mm)

Art. No. 03.776**VISUR transom tube profile**

in stock length 6000 mm

Art. No. 03.789**VISUR transom tube cover profile**

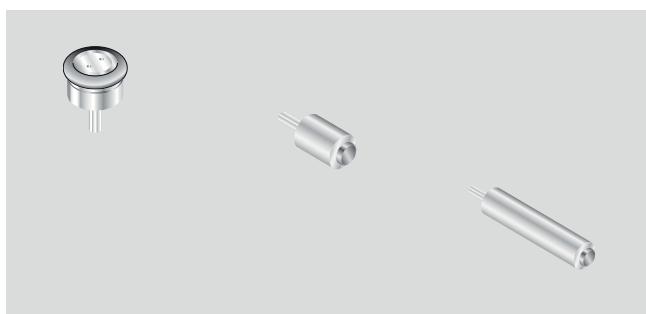
for single leaf doors
(max. 1100 mm door panel width), in fixed length
(please indicate with your order the clear width in mm)

Art. No. 03.777

do. for double leaf doors
(max. 2 x 1100 mm door panel width), in fixed length
(please indicate with your order the clear width in mm)

Art. No. 03.778**VISUR transom tube cover profile**

in stock length 6000 mm

Art. No. 03.780**Floor doorstop****Art. No. 29.950****Wall doorstop, short****Art. No. 29.951****Wall doorstop, long****Art. No. 29.952**

BEYOND

General information

102

Short pivoting rod

104

Continuous pivoting rod

106

Glass preparation

108

Accessories

132

Safety-related information

157



SYSTEMATIC DESIGN

Safe, functional and extremely attractive, BEYOND, the unique system for glass doors without risk of pinched fingers with swing doors.

The development of BEYOND has been shaped by the search for a solution that combines a modern, attractive design with

maximum safety and stability. In the swing-door system the pivot point is located directly at the glass edge, thus preventing the risk of trapped fingers often found at the secondary closing edges of glass swing.

BEYOND opens up a huge range of opportunities for incorporating frameless glass doors into toughened glass assemblies and wall openings. The BEYOND system offers an elegant, sophisticated solution for swing doors in all situations, whether private or public, modern or traditional.

Developed with the practical requirements of the market in mind, this product offers a sensible alternative wherever security, safety and functionality need to be complemented with an attractive design.



SAFE AND SECURE

The patented BEYOND swing door system with its pivot point located centrally in the glass axis and close to the glass edge ensures safety and security.

The alternative options of elegant, continuous pivot rod or smart short rod make the system suitable for any room

situation. And with a choice of pull handles or lock/lever handle combinations, BEYOND enables the realisation of your design ideas.



The over panel pivot fitting – a slim connector.



An option for the bottom pivot point – short rod on a floor pivot.

SHORT PIVOT ROD

The BEYOND swing door system with short pivot rod offers maximum flexibility. No matter what the door dimensions, BEYOND short fittings provide a versatile solution.

DORMA floor pivots, or – particularly for double-action doors – DORMA BTS floor springs, form the ideal base for ensuring that the door always returns safely and securely to its home position. Since with the BTS floor

spring the position of the pivot point requires it to be buried under the adjacent wall, the use of a glass side panel is recommended in this case.

The top connection depends on the type of unit. When incorporating the glass door into a toughened glass assembly, the top connection is formed by an over panel pivot fitting; in the case of doors in wall openings, a top pivot bearing is fitted to the ceiling or in the lintel. Load

transfer from the overpanel and side panel can be effected by means of wall adapter profiles.

Depending on customer requirements, BEYOND offers suitable fittings for 10 mm and 12 mm glass. Finishes for fittings and accessories: aluminium anodised, EV1-Deco (114) or similar to satin stainless steel (107).

For maximum values please see the typical assemblies.

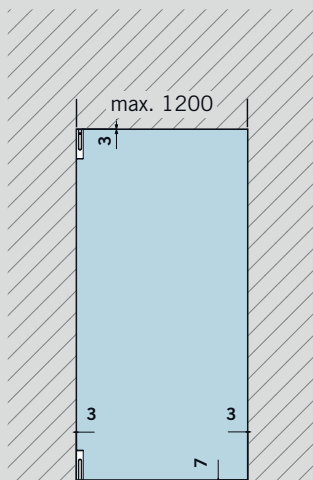
Note:

Overpanel fitting wall connector max. 1200 mm door width; overpanel fitting glass connector max. 1000 mm door width.

Basic set for individual door.

For installation in masonry.

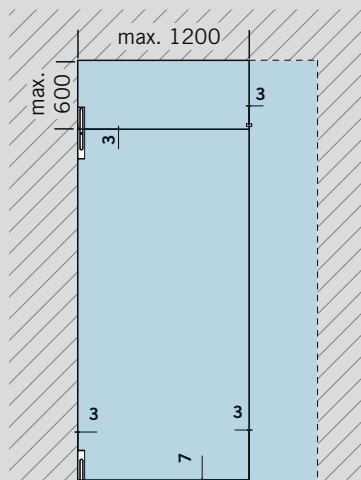
Max door weight 80 kg



Basic set and over panel fitting wall connector for door with over panel.

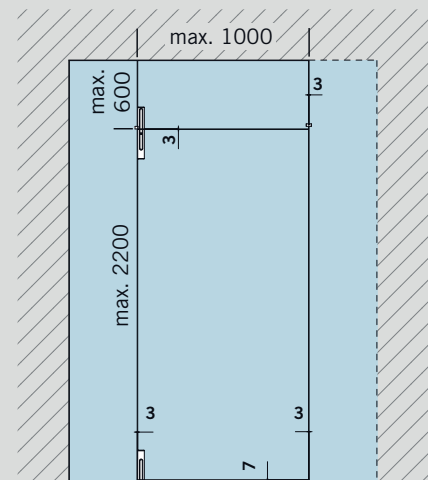
Optionally with side panel on closing side.

Max door weight 80 kg

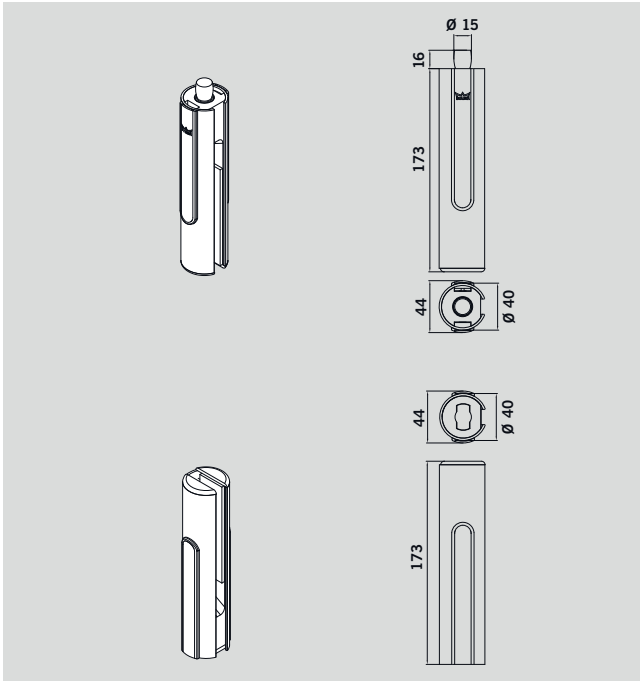


Basic set and over panel fitting wall connector for door with over panel and side panel on pivot point side.

Optionally with side panel on closing side.



FITTINGS AND GLASS CONNECTOR



BEYOND basic set:

Pivoting fitting set, short type,
comprising

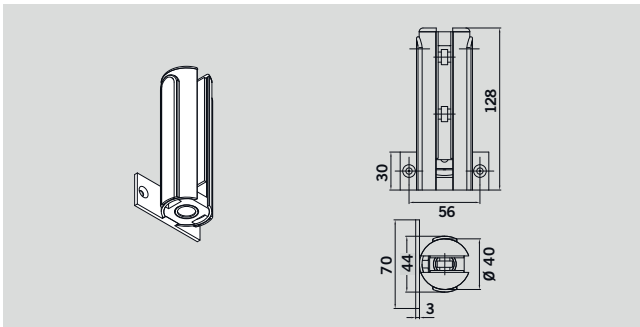
- 1 top pivot fitting with pivot \varnothing 15 mm,
- 1 bottom pivot fitting with insert for DORMA floor spring spindle (90° turnable, e. g. DORMA BTS 80) or round pivot

for 10 mm glass

Art. No. 30.100

for 12 mm glass

Art. No. 30.101



BEYOND overpanel fitting,
wall connector,

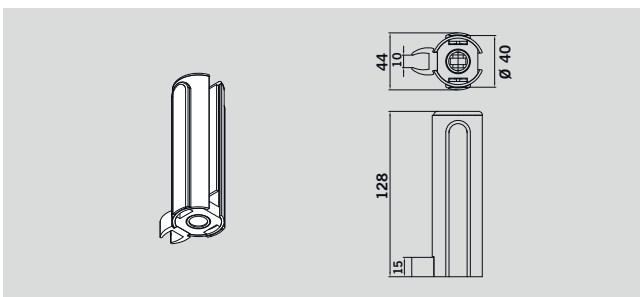
with plastic socket for top pivot

for 10 mm glass

Art. No. 30.120

for 12 mm glass

Art. No. 30.121



BEYOND overpanel fitting,
glass connector,

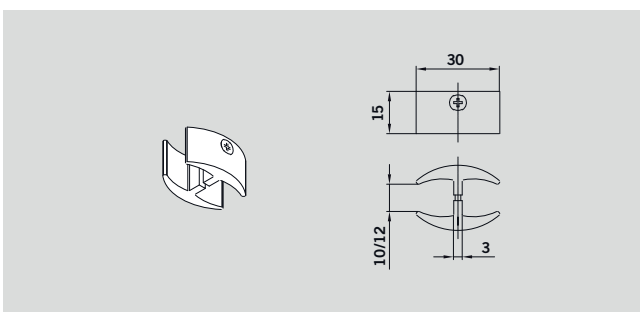
with plastic socket for top pivot

for 10 mm glass

Art. No. 30.130

for 12 mm glass

Art. No. 30.131



BEYOND glass connector,
plastic, black,

for connection of side panel at closing side

for 10 and 12 mm glass

Art. No. 30.320

CONTINUOUS PIVOT ROD

The BEYOND swing door system with continuous rod offers complete freedom from the risk of trapped fingers. By locating the pivot point of the swing door right at the glass edge and providing a round profile, the nip hazard is reduced to zero.

For the floor mounting of single-action, and particularly double-action doors, the DORMA BTS floor spring offers a convenient alternative to the DORMA floor

pivot. Since with the BTS floor spring the position of the pivot point requires it to be buried under the adjacent wall, the use of a glass side panel is recommended in this case.

As with the short-rod model, the top connection depends on the type of unit. Toughened glass assemblies are fitted with an over panel pivot fitting, whereas with doors in wall openings a top pivot bearing with ceiling

fixing is used. Load transfer from the over panel and side panel can be effected by means of wall adapter profiles.

In the case of heights over 2,200 mm, an anti-vibration device located midway along the pivot rod ensures quiet door operation.

Depending on customer requirements, BEYOND offers suitable fittings for 10 mm and 12 mm glass.

Finishes for fittings and accessories: aluminium anodised, EV1-Deco (114) or similar to satin stainless steel (107).

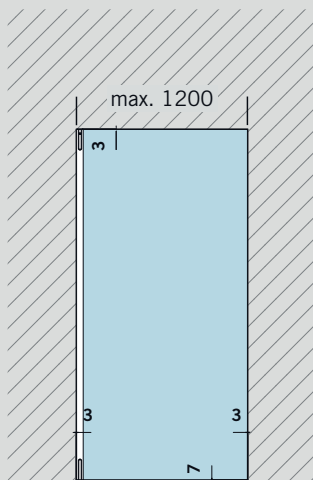
For maximum values please see the typical assemblies.

Note:
Overpanel fitting wall connector max. 1200 mm door width;
overpanel fitting glass connector max. 1000 mm door width.

Basic fitting for individual door.

For installation in masonry.

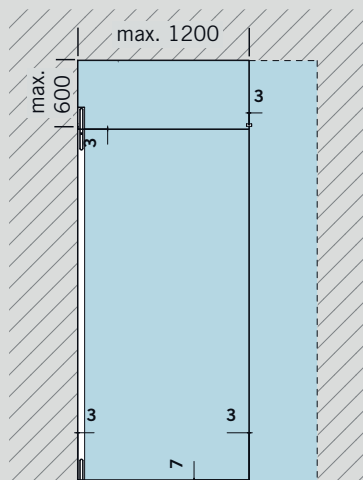
Max. door weight 80 kg



Basic fitting and over panel fitting wall connector for door with over panel.

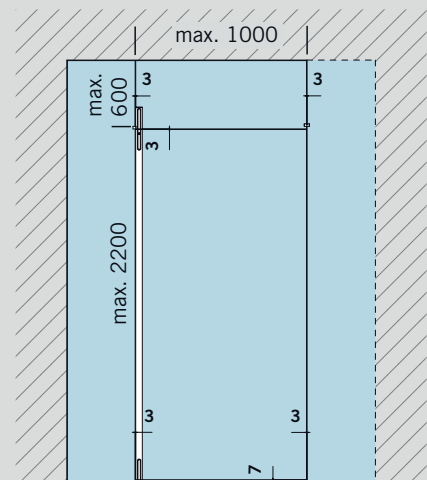
Optionally with side panel on closing side.

Max. door weight 80 kg

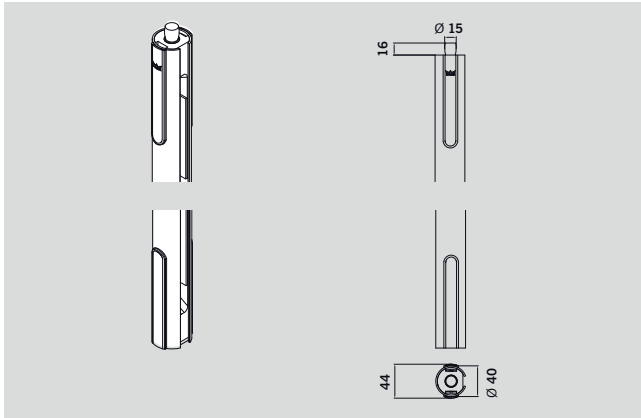


Basic fitting and over panel fitting wall connector for door with over panel and side panel on pivot point side.

Optionally with side panel on closing side.



FITTINGS AND GLASS CONNECTOR



BEYOND basic fitting:

Pivoting fitting, long type,

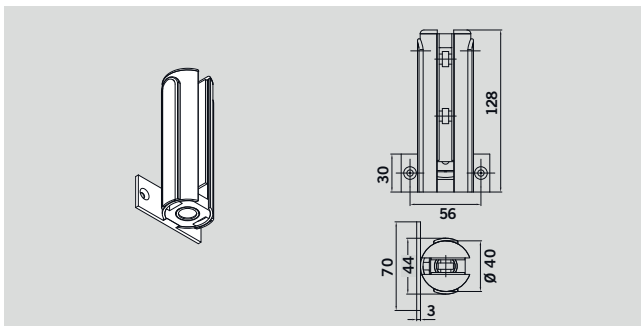
with pivot \varnothing 15 mm at top and insert for DORMA floor spring spindle (90° turnable, e. g. DORMA BTS 80) or round pivot at bottom

for 10 mm glass
for 12 mm glass

Art. No. 30.110

Art. No. 30.111

Please indicate exact door height = glass measurement with order.



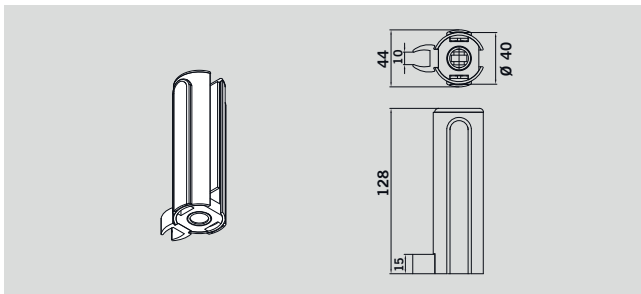
BEYOND overpanel fitting, wall connector,

with plastic socket for top pivot

for 10 mm glass
for 12 mm glass

Art. No. 30.120

Art. No. 30.121



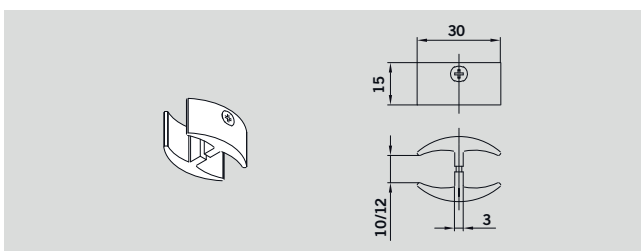
BEYOND overpanel fitting, glass connector,

with plastic socket for top pivot

for 10 mm glass
for 12 mm glass

Art. No. 30.130

Art. No. 30.131

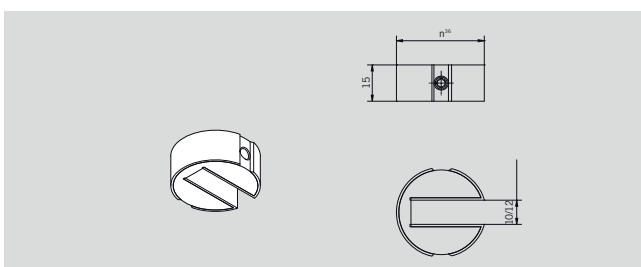


BEYOND glass connector,

plastic, black,
for connection of side panel at closing side

for 10 and 12 mm glass

Art. No. 30.320



BEYOND

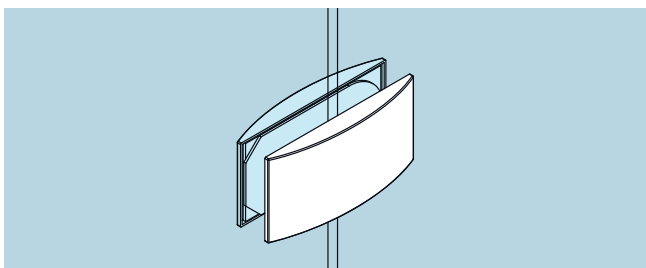
anti-vibration device
for pivot fitting, long

for 10 mm glass
for 12 mm glass

Art. No. 30.034

Art. No. 30.035

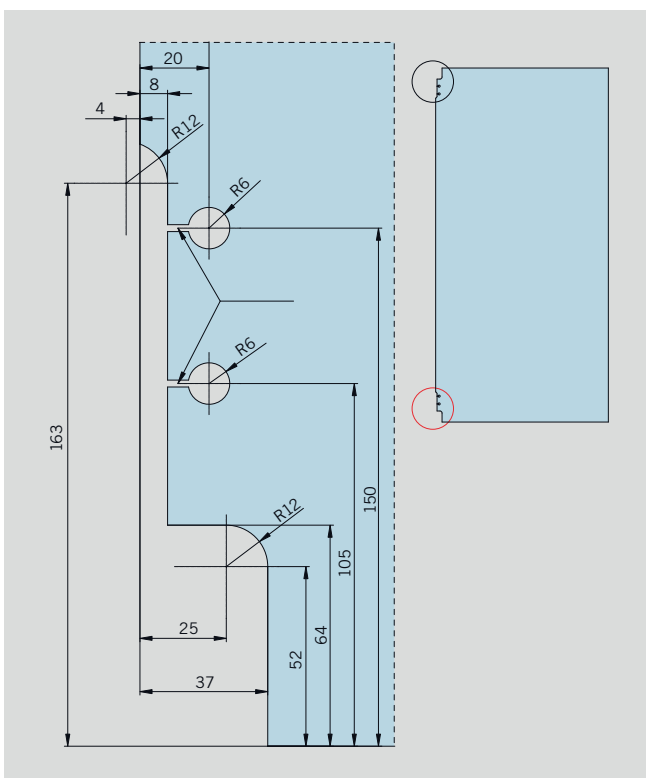
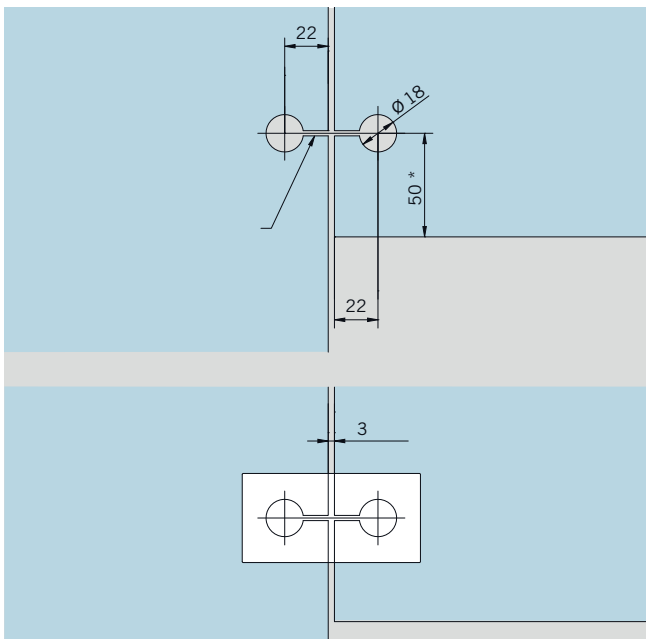
GLASS PREPARATION



Overpanel-sidelight connector

Art No. 12.536

Weight in kg:
aluminium 0,146

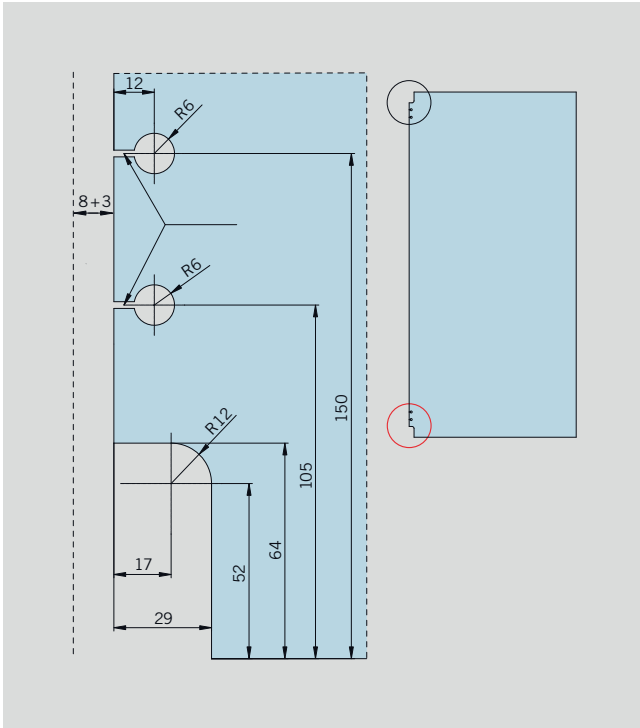


Pivoting fitting set, short type

Drawing shows the bottom glass penetration.
Top edge of glass is prepared accordingly.

Art. No. 30.100

Art. No. 30.101



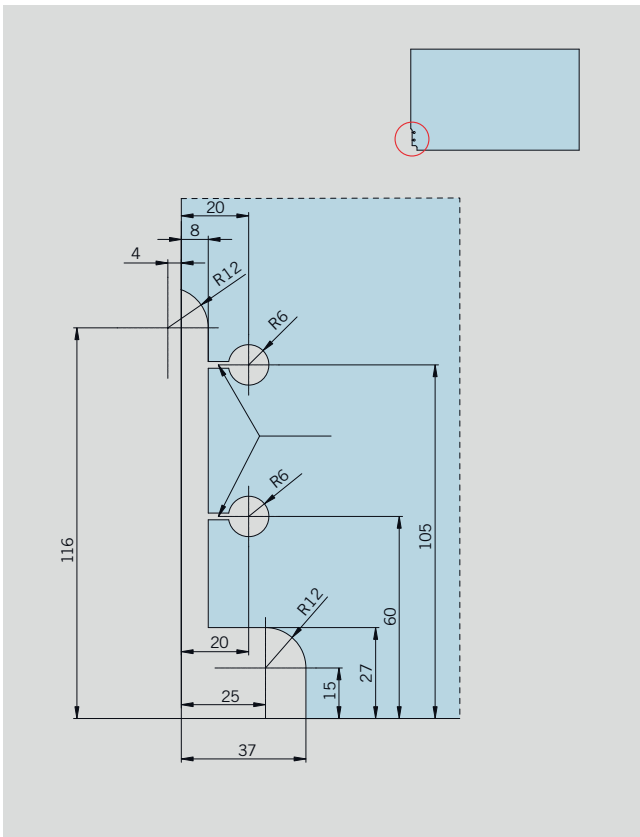
Pivoting fitting, long type

Drawing shows the bottom glass penetration.

Top edge of glass is prepared accordingly.

Art. No. 30.110

Art. No. 30.111



Overpanel fitting

Wall connector and glass connector

Art. No. 30.120

Art. No. 30.121

Art. No. 30.130

Art. No. 30.131

SG

General information

112

Universal locks and strike boxes

112

Corner, locks and strike boxes

117

Corner locks w/o glass preparation

119

Centre locks and strike boxes

120

Locks and strike boxes with electric strike release

123

Locks with panic function

125

Glass preparation

127

Accessories

132



... A RANGE OF LOCKS FOR ALL REQUIREMENTS

It doesn't matter what sort of glass door needs securing, what function it has to fulfill, or the type of fittings specified – there will be a lock in the SG range which will provide the shape, the function and the finish which you require.

Simple glass preparation, firm fixing

DORMA-Glas has an intimate knowledge of the special prop-

erties of glass as a building material. This has led to the design of locks requiring only simple cut-outs or holes in the glass. Carefully considered and positive measures have been taken to create the maximum clamping surface with optimum clamping efficiency.

Reliability built in

Quality materials and thorough workmanship mean that SG

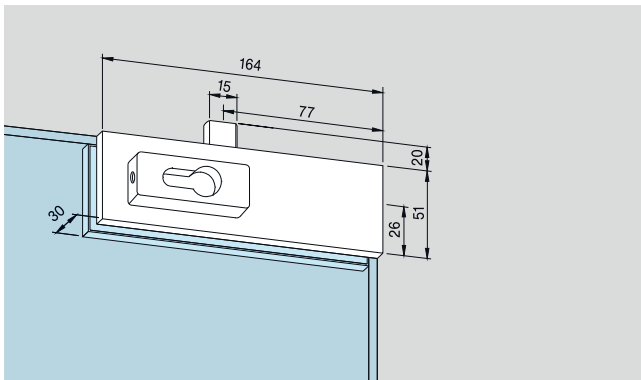
locks have the features necessary to meet the most demanding of specifications. Many satisfied customers will testify this. For safety reasons set lock case always on inside.

Short delivery times

All the common patterns and types are available ex-stock (factory). Specials will be prepared promptly.

UNIVERSAL TOP, BOTTOM, CENTRE LOCKS AND STRIKE BOXES WITH GLASS CUT-OUTS

Complete, for 10 mm glass thickness



US 10 corner lock,

prepared for Europrofile cylinder, single throw, bolt projection 20 mm, with security rosettes on both sides, 14 mm thick. for 10 mm glass thickness for 15 and 19 mm glass thicknesses (please specify with order)

For 10 mm glass thickness

Lock insert:

- high corrosion resistance according to EN 1670, class 4
- with regard to type-test according to DIN 18251, class 3*

Art. No. 03.206

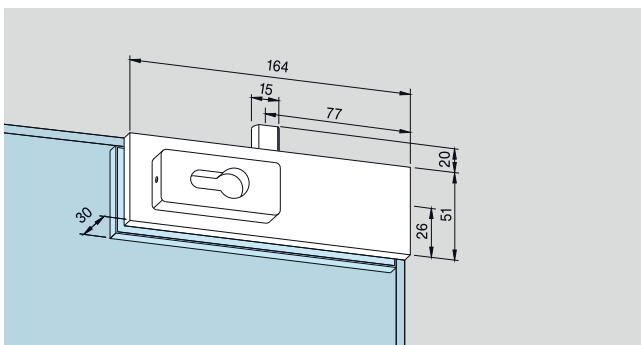
For 12 mm glass thickness, only in satin stainless steel

Art. No. 03.867

Not illustrated:

prepared for KABA for 10 mm glass thickness

Art. No. 03.340



For half profile cylinder left hand top/right hand bottom for 10 mm glass thickness

Art. No. 03.288

Not illustrated:

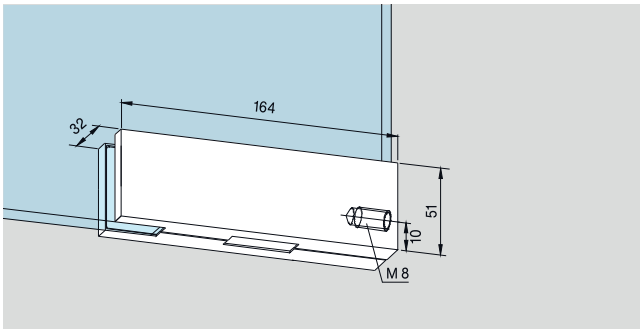
left hand bottom/right hand top for 10 mm glass thickness

Art. No. 03.287

Weight in kg:

aluminium	0.942
brass	1.061
stainless steel	1.053

* Extract from DIN 18251, class 3: Type-test with 50,000 locking bolt operating cycles. Furthermore the lock was tested successfully by a neutral testing institute with 500,000 latch and 100,000 locking bolt operating cycles.



GK 30
single overpanel strike box
to suit US 10 corner lock

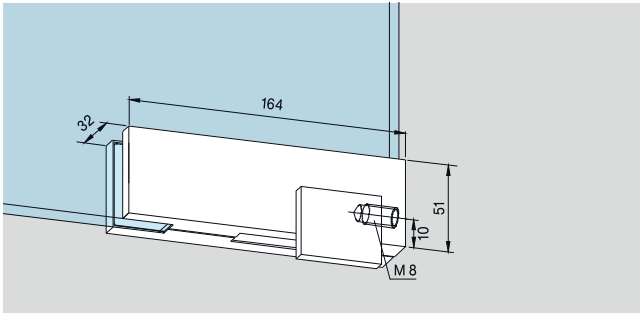
For 10 mm glass thickness

For 12 mm glass thickness,
only in satin stainless steel

Art. No. 03.230

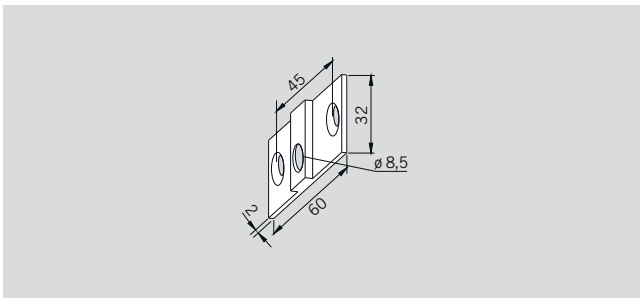
Art. No. 03.870

Weight in kg:
aluminium 0.418
stainless steel 0.536



GK 30
with stop

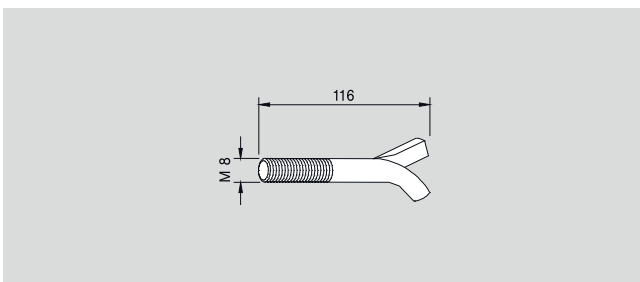
Art. No. *03.234 / 03.235



Fixing plate
for overpanel strike box GK 30

Art. No. 03.128

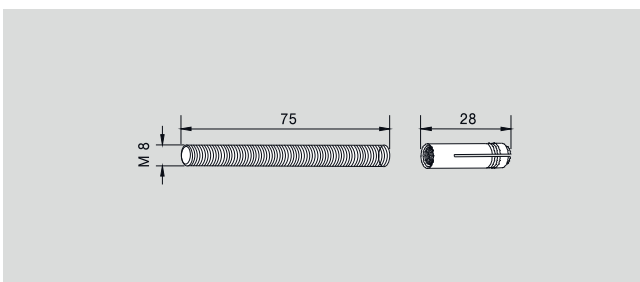
Weight in kg:
aluminium 0.016
brass 0.038
Stainless steel not available,
satin chrome on brass supplied.



Wall anchor
with thread M 8 for overpanel
patch

Art. No. 01.133

Weight in kg: 0.040

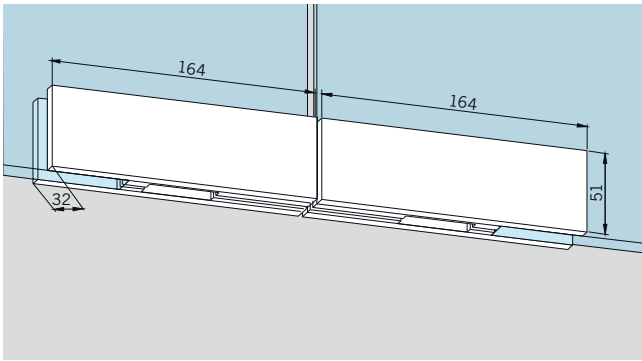


Threaded rod
M 8 with plug for overpanel
patch

Art. No. 01.134

Weight in kg: 0.032

* Left / right hand (illustration shows left hand) are determined by view from hanging side.



GK 20 double overpanel strike
box to suit US 10 corner locks,
consisting of two GK 30 with
threaded connecting bolt

for 10 mm glass thickness

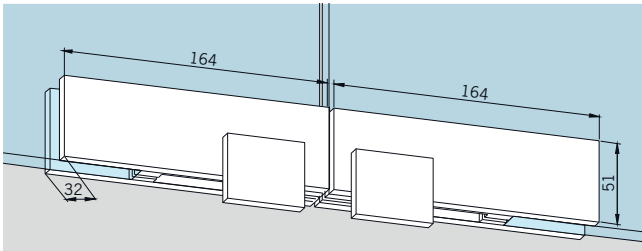
for 12 mm glass thickness,
only in satin stainless steel

Art. No. 03.245

Art. No. 03.871

Weight in kg:

aluminium	0.866
brass	1.154
satin stainless steel	1.200

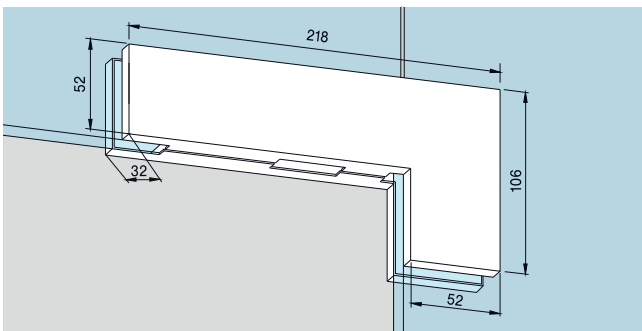


GK 20
with stop

Art. No. 03.247

Weight in kg:

aluminium	0.926
brass	1.234
satin stainless steel	1.192

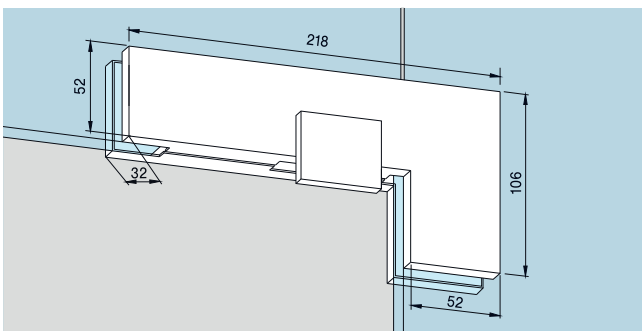


GK 40
corner overpanel strike box
to suit US 10 corner lock

Art. No. 03.250

Weight in kg:

aluminium	0.709
brass	1.035
stainless steel	1.010

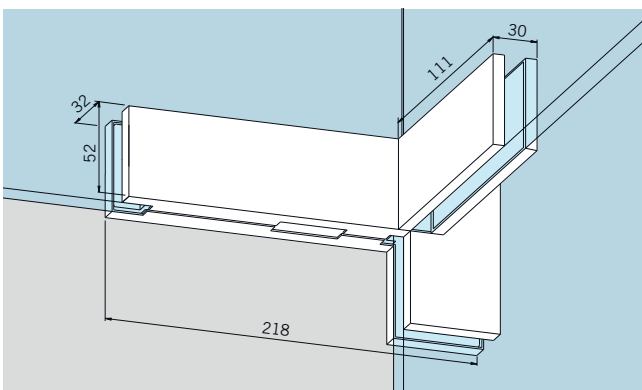


GK 40
with stop

Art. No. *03.254 / 03.255

Weight in kg:

aluminium	0.769
stainless steel	1.082



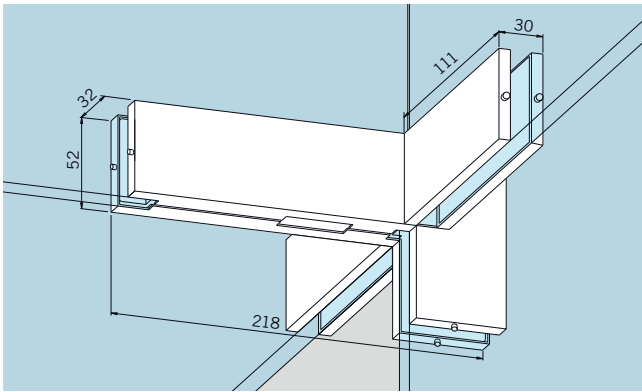
GK 41 strike box
for PT 41, with fin fitting

Art. No. *03.194 / 03.193

Weight in kg:

aluminium	0.906
stainless steel	1.270

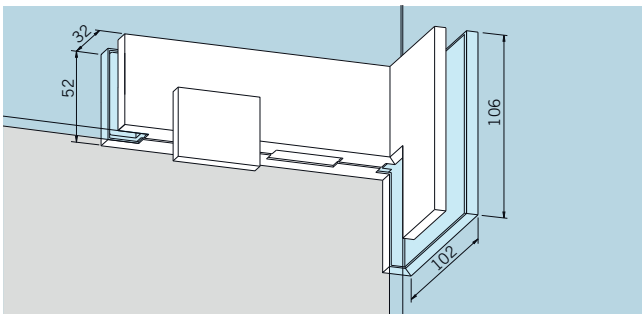
* Left / right hand (illustration shows left hand) are determined by view from hanging side.



GK 41 strike box
with fin fitting on both sides

Art. No. 03.195

Weight in kg:
aluminium 1.103
stainless steel 1.411



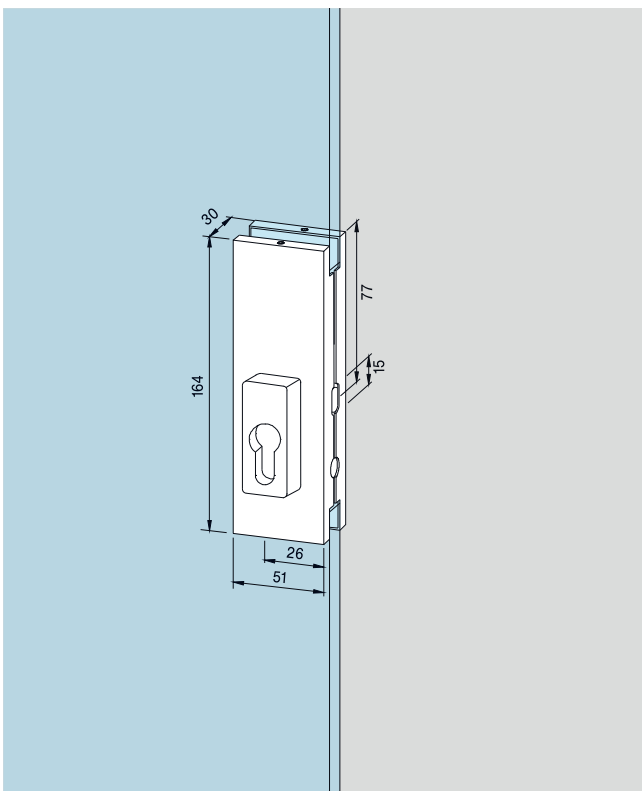
GK 42 strike box,
angle 90°, for PT 42,
with stop inside

Art. No. *03.274 / 03.275

Weight in kg:
aluminium 0.910
stainless steel 1.306

Not illustrated:
GK 42, angle 135°

Art. No. *03.276 / 03.277



US 20 centre lock,
prepared for Europrofile cylinder, single throw, bolt projection 20 mm, with security rosettes 14 mm thick.

Lock insert:

- high corrosion resistance according to EN 1670, class 4
- with regard to type-test according to DIN 18251, class 3**

For 10 mm glass thickness

Art. No. 03.215

For 12 mm glass thickness, only in satin stainless steel

Art. No. 03.868

Not illustrated:
prepared for KABA

Art. No. 03.345

Weight in kg:
aluminium 0.942
brass 1.061
stainless steel 1.053

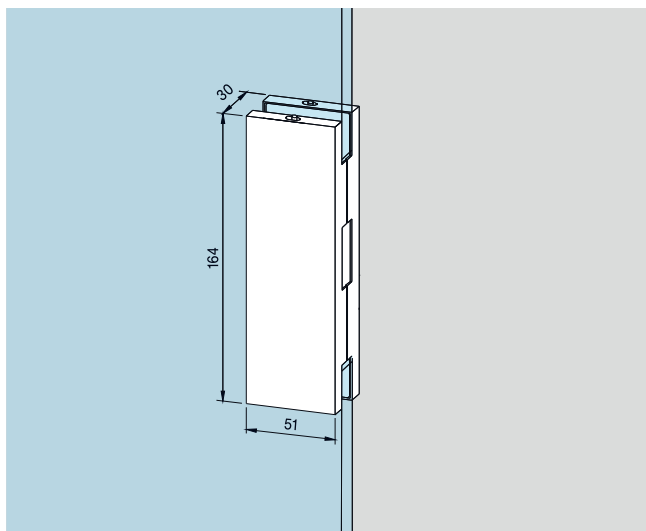
Prepared for one-sided Europrofile cylinder (see drawing 03.215)

Art. No. *03.290 / 03.289

Weight in kg:
aluminium 0.805
stainless steel 0.925

* Left / right hand (illustration shows left hand) are determined by view from hanging side.

** Extract from DIN 18251, class 3: Type-test with 50,000 locking bolt operating cycles. Furthermore the lock was tested successfully by a neutral testing institute with 500,000 latch and 100,000 locking bolt operating cycles.



GK 50 strike box
to suit US 20 centre lock

For 10 mm glass thickness

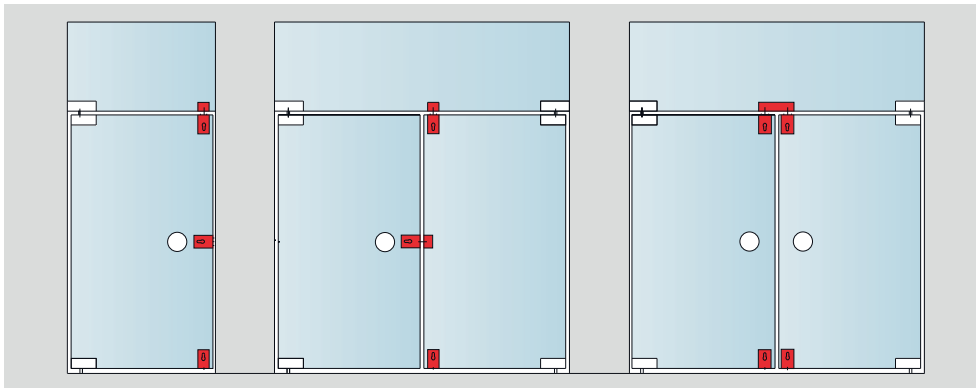
Art. No. 03.224

Weight in kg:
aluminium 0.602
brass 0.730
stainless steel 0.727

For 12 mm glass thickness
only in satin stainless steel

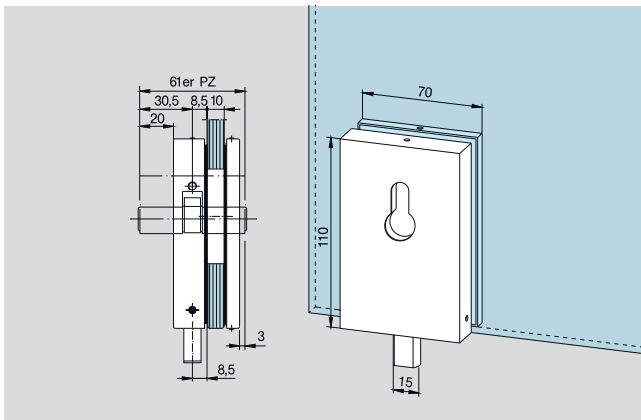
Art. No. 03.869

CORNER (OR CENTRE) LOCKS AND STRIKE BOXES WITH DRILLED HOLES GLASS PREPARATION



Corner (or centre) locks and strike boxes with drilled holes glass preparation

complete for 8, 10 and 12 mm glass thickness



Corner lock,
for vertical or horizontal fixing,
double throw, bolt projection
20 mm, hardened oval bolt,
prepared for Europrofile cylinder

Art. No. 05.100

Weight in kg:
aluminium 0.849
brass 1.033

Not illustrated:
prepared for KABA

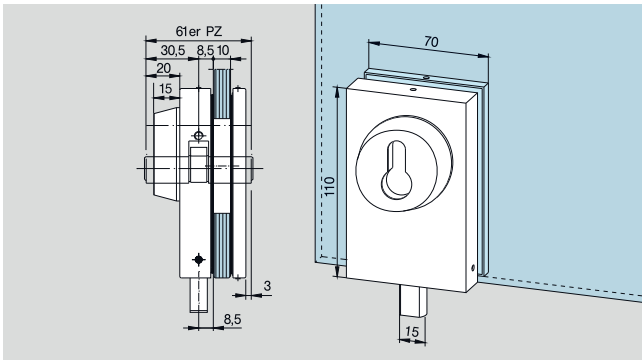
Art. No. 05.105

Weight in kg:
aluminium 0.842
brass 1.020

Not illustrated:
prepared for one-sided Euro-
profile cylinder, lockable from
inside

Art. No. 05.116

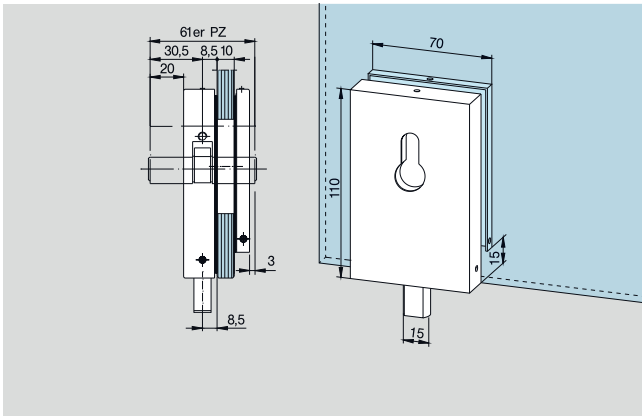
Weight in kg:
aluminium 0.858
brass 1.038



Corner lock,
prepared for Europrofile
cylinder, rose inside

Art. No. 05.118

Weight in kg:
aluminium 0.924
brass 1.236



Corner lock,
for vertical fixing, double throw,
bolt projection 20 mm,
hardened oval bolt, counterplate
shortened to give 15 mm free
glass edge, prepared for
Europrofile cylinder

Art. No. 05.103

Weight in kg:
aluminium 0.807

Not illustrated:
prepared for one-sided Europrofile
cylinder, lockable from
inside

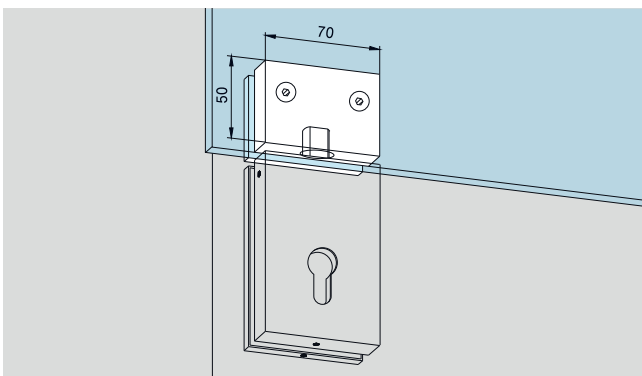
Art. No. 05.117

Weight in kg:
aluminium 0.818
brass 0.984

Not illustrated:
prepared for Europrofile cylinder,
rose inside

Art. No. 05.119

Weight in kg:
aluminium 0.882
brass 1.184



Strike box
to suit corner lock (05.100,
05.105, 05.116), for single
door without stop

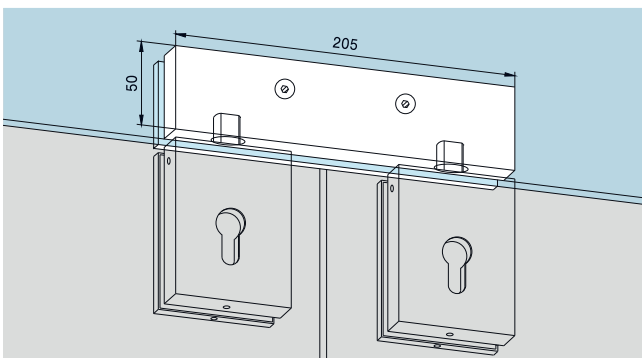
Art. No. 05.108

Weight in kg:
aluminium 0.260
brass 0.765

Not illustrated:
with stop
for Art. No. 05.103, 05.117,
05.119

Art. No. 05.109

Weight in kg:
aluminium 0.264
brass 0.760



Strike box
for corner lock
(05.100, 05.116), for double
doors without stop

Art. No. 05.110

Weight in kg:
aluminium 0.760

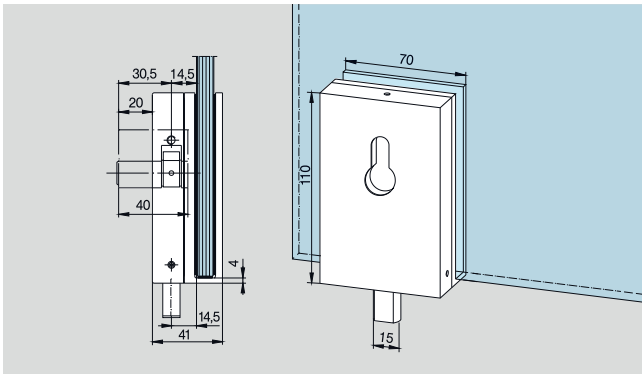
Not illustrated:
with stop
for Art. No. 05.100, 05.105,
05.116, 05.118

Art. No. 05.111

Weight in kg:
aluminium 0.770

CORNER LOCKS WITHOUT GLASS PREPARATION

complete, for 10 mm glass thickness



Slide over corner lock

for retro-fitting, double throw,
bolt projection 20 mm,
hardened oval bolt, prepared for
Europrofile cylinder

for 10 mm glass thickness
for 12 mm glass thickness

Art. No. 05.106
Art. No. 05.130

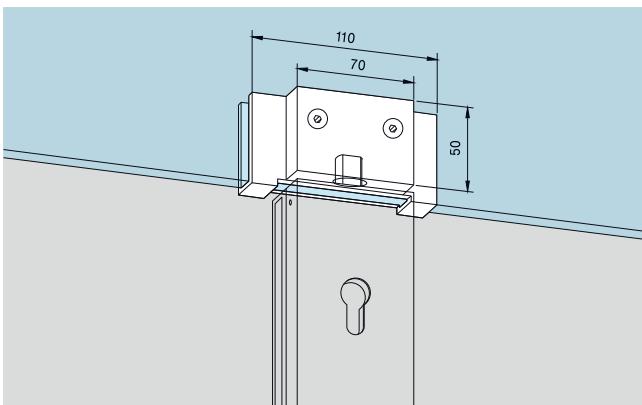
Weight in kg:
aluminium 0.740

Not illustrated:
prepared for KABA

for 10 mm glass thickness
for 12 mm glass thickness

Art. No. 05.107
Art. No. 05.131

Weight in kg:
aluminium 0.735



Slide over strike box

for slide over corner lock
for single door

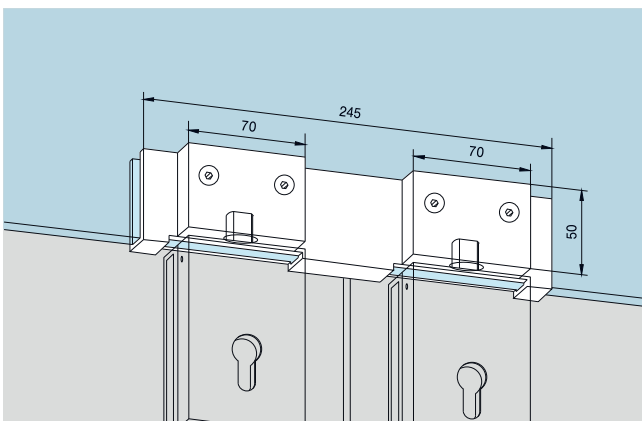
for 10 mm glass thickness
for Art. No. 05.106/05.107

Art. No. 05.112

for 12 mm glass thickness
for Art. No. 05.130/05.131

Art. No. 05.132

Weight in kg:
aluminium 0.341



Slide over strike box

for slide over corner lock
for double doors

for 10 mm glass thickness
for Art. No. 05.106/05.107

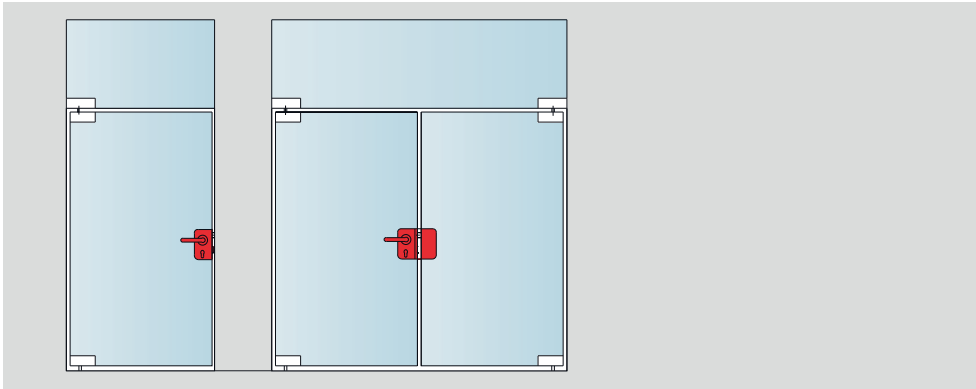
Art. No. 05.113

for 12 mm glass thickness
for Art. No. 05.130/05.131

Art. No. 05.133

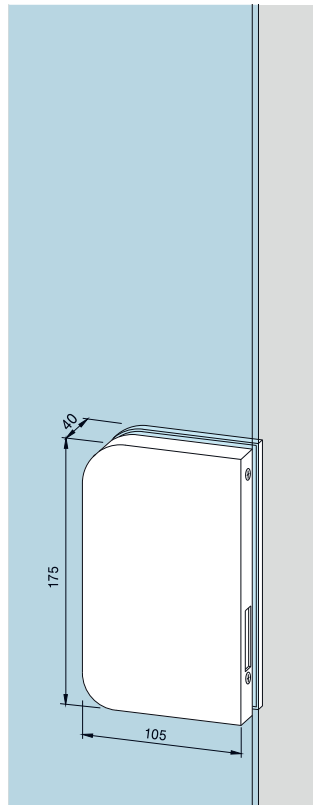
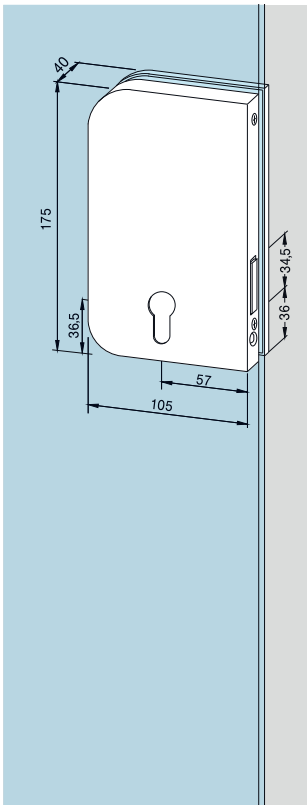
Weight in kg:
aluminium 0.737

CENTRE LOCKS AND STRIKE BOXES



Centre locks and strike boxes
with drilled holes glass
preparation

complete, for 10 mm glass thickness



not available in aluminium mill
finish (100)

Centre lock

for double action door,
prepared for Europrofile cylinder,
double throw

Art. No. *11.216 / 11.217

Weight in kg:
aluminium 1.070

Not illustrated:
prepared for KABA

Art. No. *11.250/11.251

Weight in kg:
aluminium 1.063

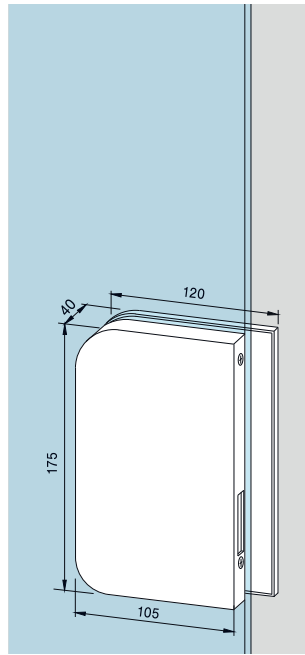
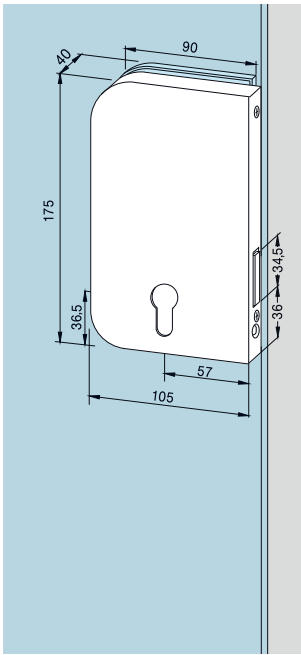
Strike box

to suit centre locks for:
Art. No. 11.216, 11.217,
Art. No. 11.250, 11.251

Art. No. *11.218 / 11.219

Weight in kg:
aluminium 0.965

* Left / right hand (illustration shows left hand) are determined by view from hanging side.



Centre lock

for single action door
(with free glass edge),
prepared for Europrofile cylinder,
double throw

Art. No. *11.220 / 11.221

Weight in kg:
aluminium 1.060

Not illustrated:
prepared for KABA

Art. No. *11.252 / 11.253

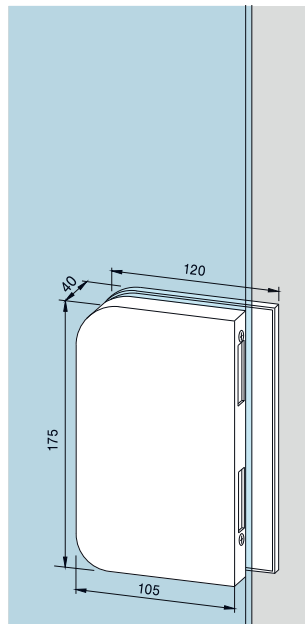
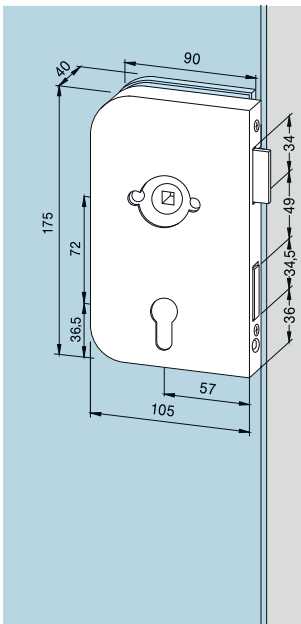
Weight in kg:
aluminium 1.053

Strike box

to suit centre locks for:
Art. No. 11.220, 11.221,
Art. No. 11.252, 11.253

Art. No. *11.222 / 11.223

Weight in kg:
aluminium 0.980



Centre lock

for single action door (with free
glass edge), with both latch and
lock bolt, prepared for lever on
round rose inside, smooth
blanking plate outside,
prepared for Europrofile cylinder,
double throw

Art. No. *11.224 / 11.225

Weight in kg:
aluminium 1.175

Not illustrated:
prepared for KABA

Art. No. *11.254 / 11.255

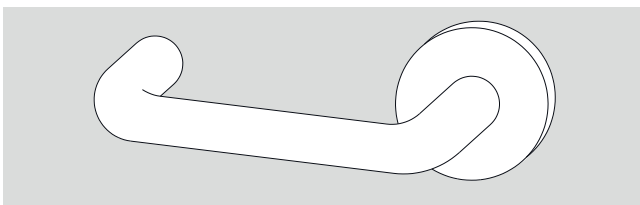
Weight in kg:
aluminium 1.168

Strike box

to suit centre locks for:
Art. No. 11.224, 11.225
Art. No. 11.254, 11.255

Art. No. *11.203 / 12.207

Weight in kg:
aluminium 0.945

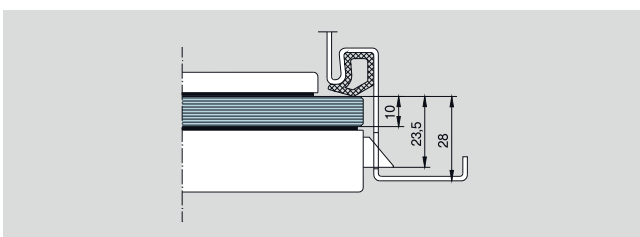


Lever handle, for inside

to suit centre locks for:
Art. No. 11.224, 11.225,
Art. No. 11.254, 11.255

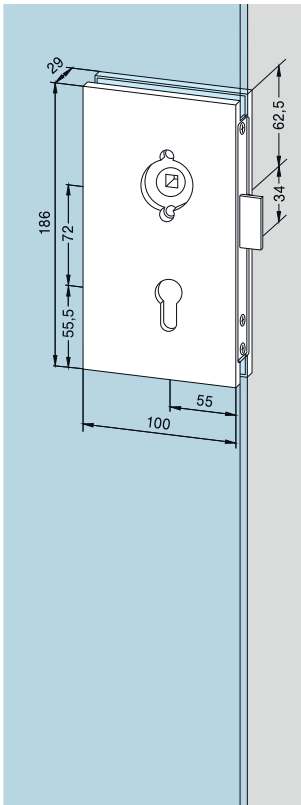
Art. No. 11.226

Weight in kg:
aluminium 0.195



If used on glass doors in rebated frames, a minimum of 28 mm frame depth is needed.

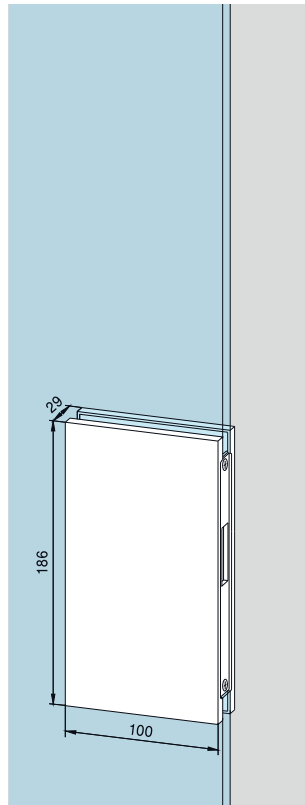
* Left / right hand (illustration shows left hand) are determined by view from hanging side.



Centre lock,
with lockable latch, nightlatch
function (suitable for aluminium
lever handles with round roses),
prepared for Europrofile cylinder

Art. No. *05.210 / 05.211

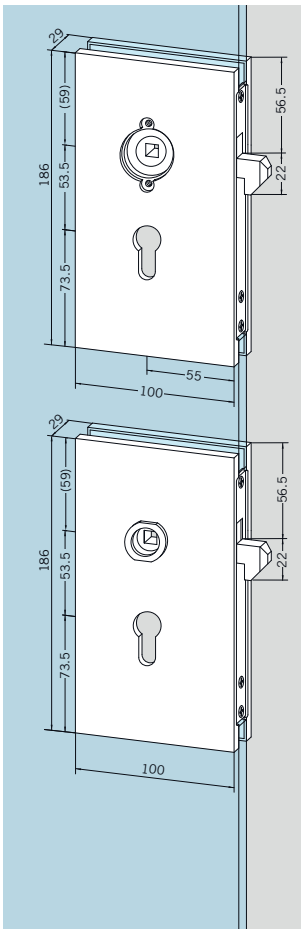
Weight in kg:
aluminium 1.350



Strike box
to suit centre locks (nightlatch
function) for
Art. No. 05.210/05.211

Art. No. *05.212 / 05.213

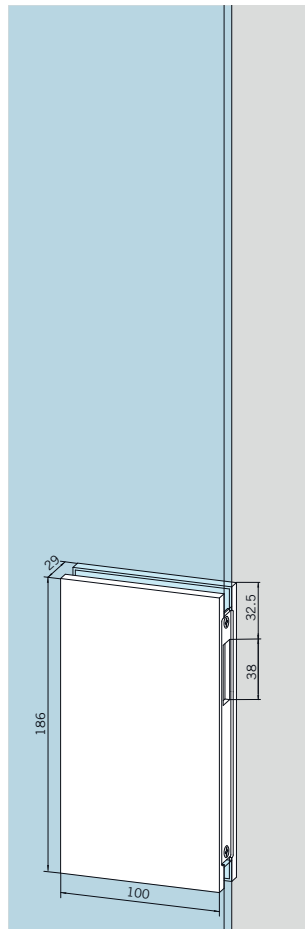
Weight in kg:
aluminium 0.900



Hook lock
for sliding doors, nightlatch
function, suitable for
**aluminium lever handles with
round roses (10.307),**
prepared for Europrofile cylinder,
left hand and right hand,
with lock keeper plate

Art. No. 05.200

Weight in kg:
aluminium 1.325



Suitable for **lever handles
with follower**

Art. No. 05.202

Weight in kg:
aluminium 1.325

Strike box
to suit hook lock, (05.200,
05.202), non-handed

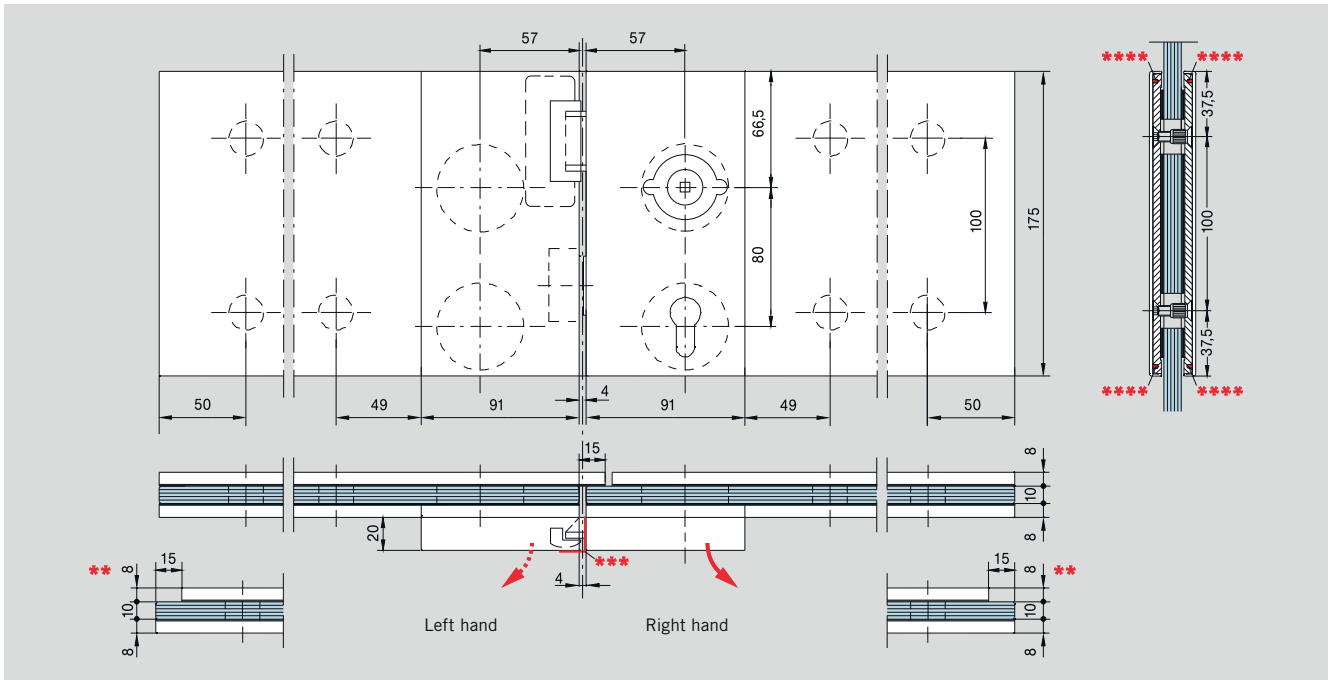
Art. No. 05.201

Weight in kg:
aluminium 0.890

* Left / right hand (illustration shows left hand) are determined by view from hanging side.

LOCKS AND STRIKE BOXES WITH ELECTRIC STRIKE RELEASE

for 10 mm glass thickness



Centre lock

complete with midrail, with latch and lock bolt, for inward opening single action doors, prepared for lever on round rose inside, smooth blanking plate outside, prepared for Europrofile cylinder

Midrail 800 – 1200 mm

Art. No. *05.220/05.221

Midrail up to 799 mm

Art. No. *05.232/05.233

Weight in kg/m:
aluminium 7.018

Not illustrated:
prepared for KABA
Midrail 800 – 1200 mm

Art. No. *05.256 / 05.257

Midrail up to 799 mm

Art. No. *05.236 / 05.237

Weight in kg/m:
aluminium 7.011

Suitable lever handles

see page 103

Art. No. *11.226/11.227

Strike box,

complete with midrail,
with electric strike release
(Standard: Fail secure function,
6 to 12 V -/~, with mechanical
unlock. Further types on
request.)

To suit centre lock with
midrail for

Art. No. 05.220/05.221

Art. No. 05.232/05.233

Art. No. 05.256/05.257

Midrail 800 – 1200 mm

Art. No. *05.222 / 05.223

Midrail up to 799 mm

Art. No. *05.234 / 05.235

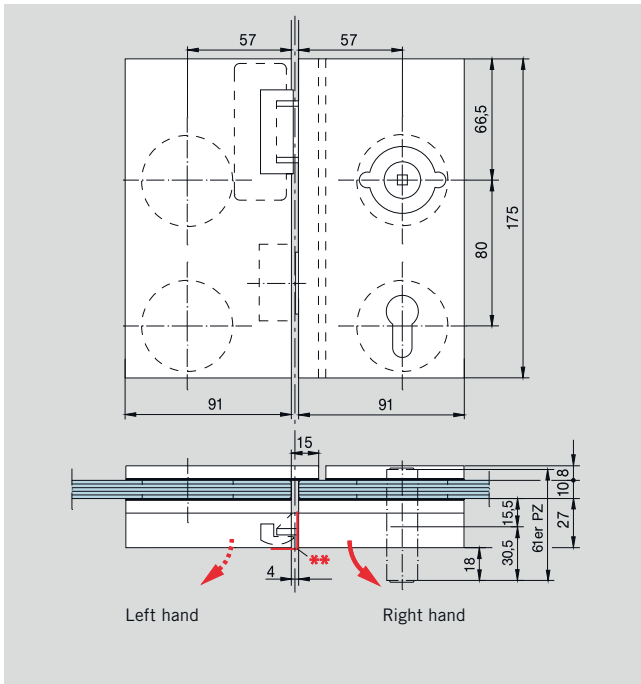
Weight in kg/m:
aluminium 6.523

Aluminium midrail
for sidepanels,
length up to 6000 mm

Art. No. 05.230

Weight in kg/m:
aluminium 5.928

- * Left / right hand are determined by view from hanging side.
- ** All centre locks and strike boxes with midrail are also available with free glass edge. Please give details with order.
- *** Angel bracket (05.218/05.219) for door opening outwards (optional)
- **** Recess for electric strike release cable



Centre lock

with latch and lock bolt, for inward opening single action doors, prepared for lever on round rose inside, smooth blanking plate outside, prepared for Europrofile cylinder

Not illustrated:
prepared for KABA

Art. No. *05.224 / 05.225

Weight in kg:
aluminium 1.090

Art. No. *05.258 / 05.259

Weight in kg:
aluminium 1.083

Suitable lever handle
see page 103

Art. No. 11.226

Centre lock

with latch and lock bolt, for inward opening single action doors, prepared for rose lever on both sides, prepared for Euro-profile cylinder

Art. No. *05.228 / 05.229

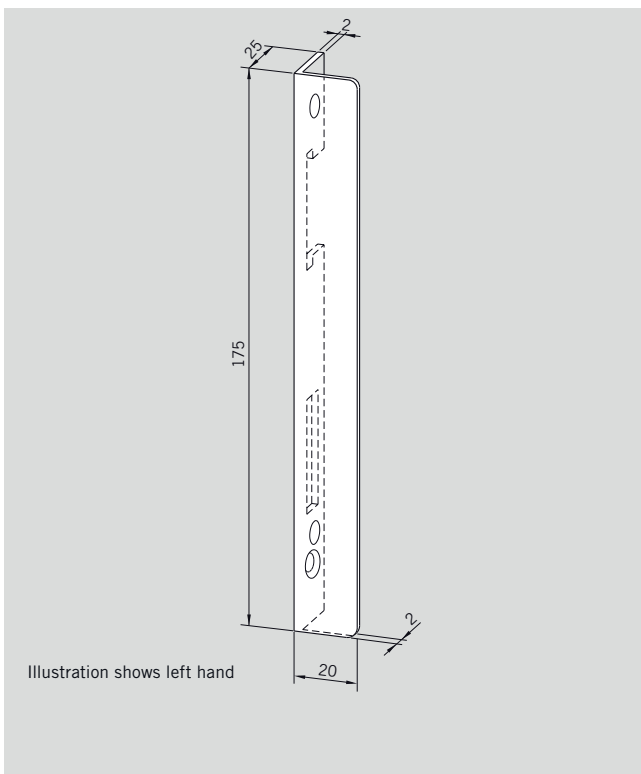
Weight in kg:
aluminium 1.090

Strike box,

to suit centre lock with latch and lock bolt, **with electric strike release** (Standard: fail secure function, 6 to 12 V -/~, with mechanical unlock. Further types on request.)
for Art. No. 05.224, 05.225, 05.258, 05.259

Art. No. *05.226 / 05.227

Weight in kg:
aluminium 0.595



Angle bracket

for centre locks
(opening to outside)

Art. No. *05.218 / 05.219

Weight in kg: 0.040

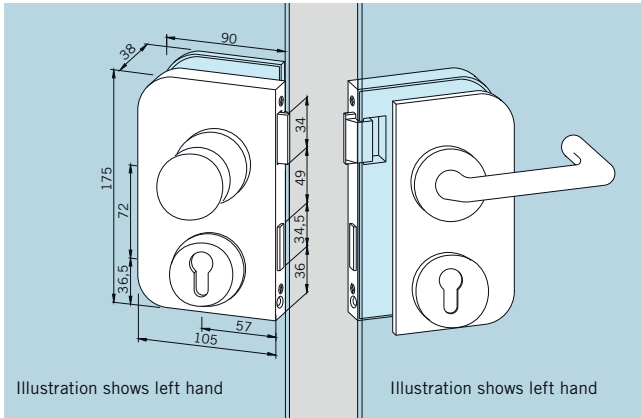
* Left / right hand are determined by view from hanging side.
** Angle bracket (05.218/05.219) for door opening outwards (optional)

LOCKS WITH PANIC FUNCTION, OPENING TO OUTSIDE

for 10 mm glass thickness

Operation outside: Bolt is unlocked by turn of key, and latch is withdrawn by follower.

Operation inside: Lock can be operated by rose lever handle or panic push bar even when bolt is locked.



Not for emergency exit doors according to German Standard DIN EN 179 or DIN EN 1125 (corresponding modifications in preparation)

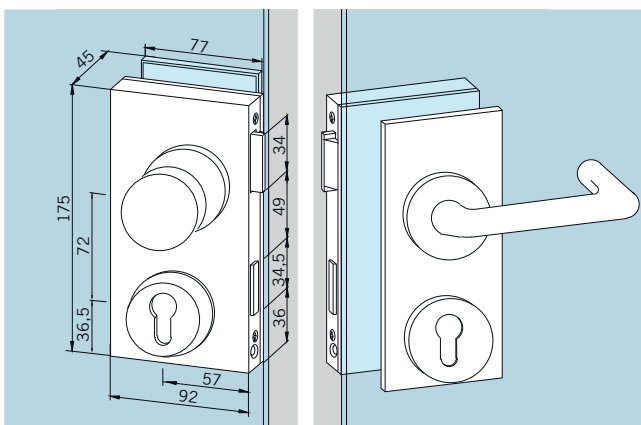
For best protection against burglary we recommend the use of the angle bracket (05.218/05.219)

Centre lock

with both latch and lock bolt, **rose lever on inside** and fixed knob (without function) on outside. Prepared for Euro-profile cylinder with roses

Art. No. *05.240 / 05.241

Weight in kg:
aluminium 1.706



For strike boxes with electric strike release

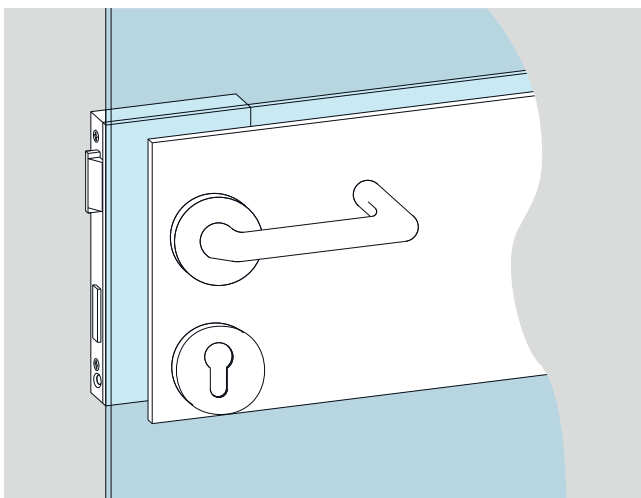
Centre lock

with both latch and lock bolt, with angled cover, for door opening outwards (not shown), rose lever on inside and fixed knob (without function) on outside. Prepared for Europrofile cylinder with roses.

Art. No. *05.244 / 05.245

Weight in kg:
aluminium 2.900

Lockable into strike boxes with electric strike release
Art. No. 05.226/05.227



Centre lock

complete with midrail, with latch and lock bolt, with angled cover, for door opening outwards (not shown), rose lever on inside and fixed knob (without function) on outside. Prepared for Europrofile cylinder with roses. Lockable into strike boxes with electric strike release
for Art. No. 05.222/05.223,
for Art. No. 05.234/05.235

Midrail 800 – 1200 mm
Midrail up to 799 mm

Art. No. *05.246 / 05.247

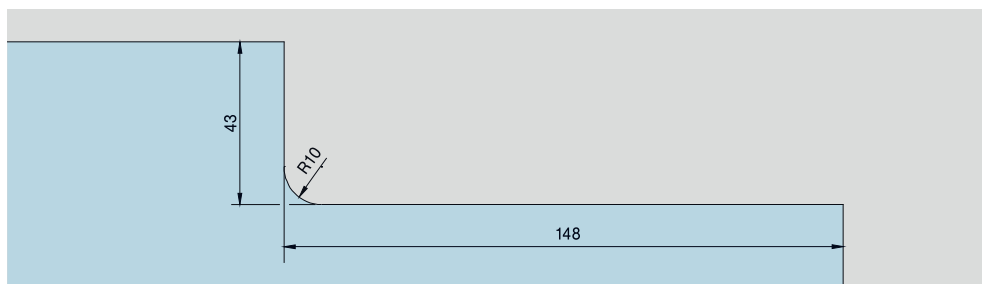
Art. No. *05.248 / 05.249

Weight in kg/m:
aluminium 7.500

Additional solutions with panic function for glassdoors you can find in the technical documentation of PHA 2000 and Exit Pad

* Left / right hand are determined by view from hanging side.

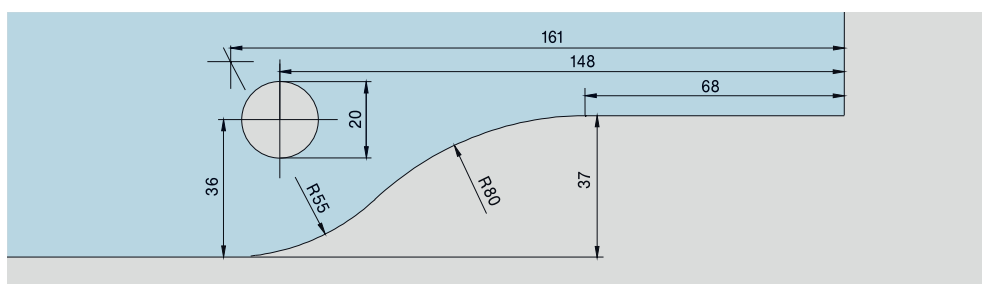
GLASS PREPARATION LOCKS



US 10

Corner locks
Art. No. 03.206, 03.285,
03.287, 03.288, 03.340

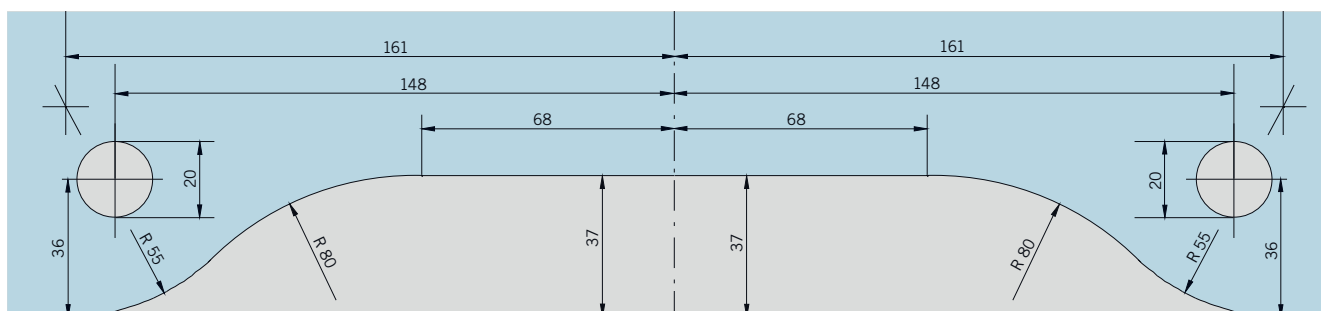
Scale 1 : 2



GK 30 (PT 30)

Single overpanel strike box
Art. No. 03.230, 03.234,
03.235

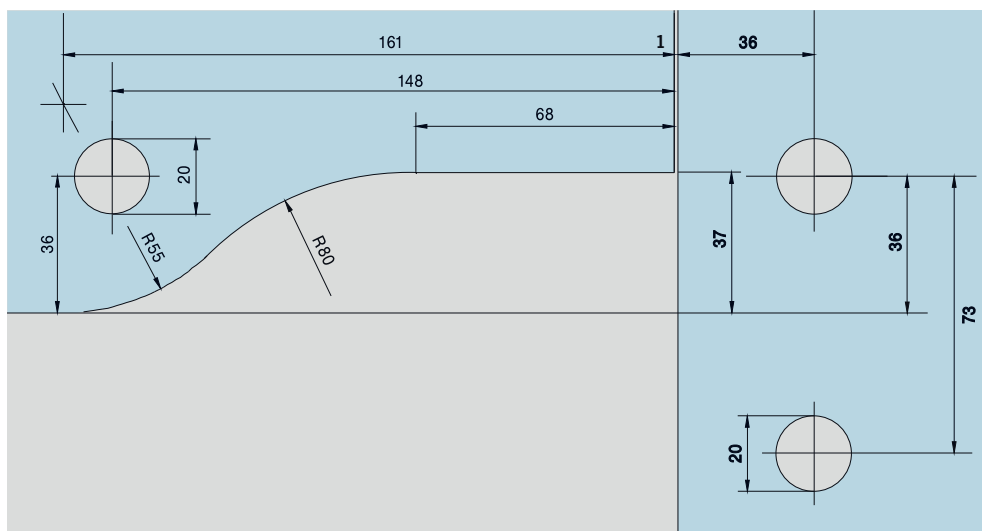
Scale 1 : 2



GK 20

Double overpanel strike box
Art. No. 03.245, 03.246,
03.247

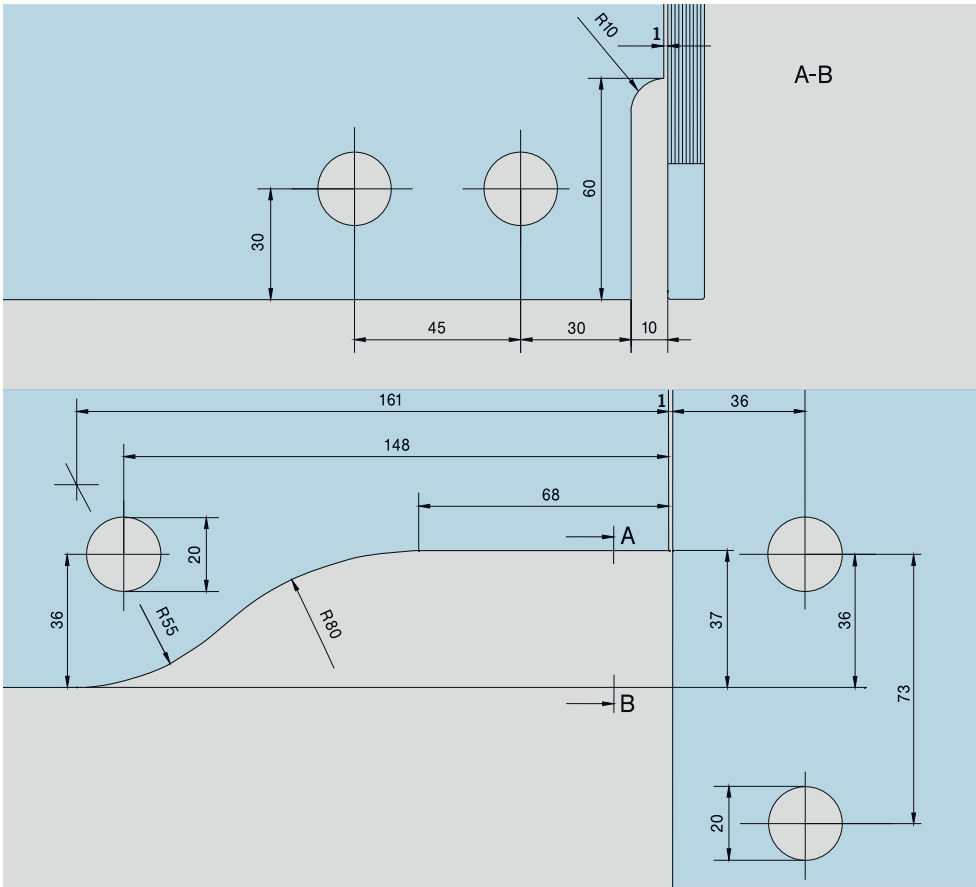
Scale 1 : 2



GK 40 (PT 40)

Corner overpanel
strike box
Art. No. 03.250, 03.254,
03.255

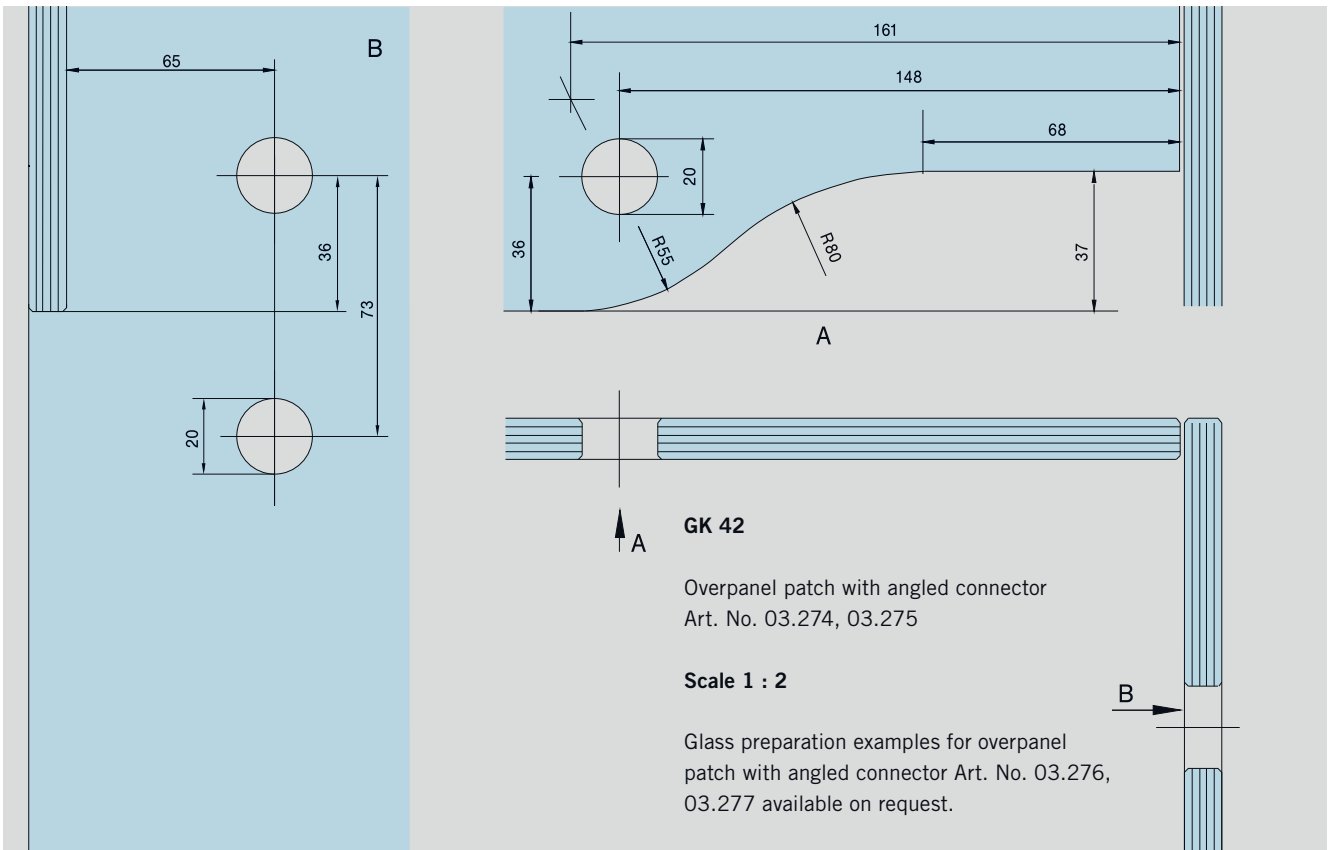
Scale 1 : 2



GK 41

Strike box with fin fitting inside
Art. No. 03.193, 03.194

Scale 1 : 2

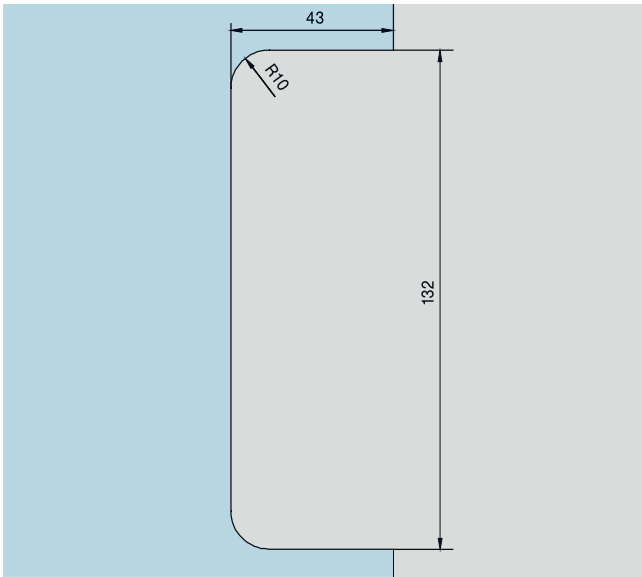


GK 42

Overpanel patch with angled connector
Art. No. 03.274, 03.275

Scale 1 : 2

Glass preparation examples for overpanel
patch with angled connector Art. No. 03.276,
03.277 available on request.

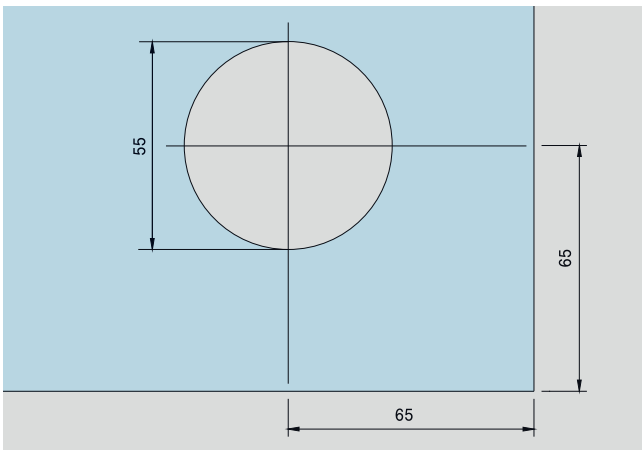


US 20, GK 50

Centre lock
 Art. No. 03.215, 03.289,
 03.290, 03.345
 and strike box for centre lock
 Art. No. 03.224

Scale 1 : 2

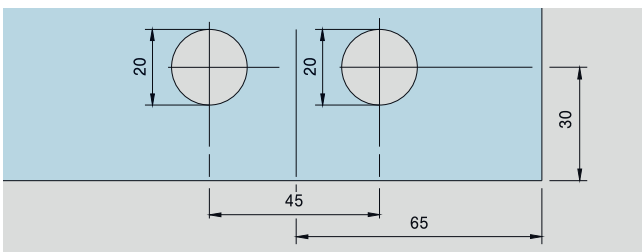
GLASS PREPARATION FOR CORNER, CENTRE LOCKS AND STRIKE BOXES, REQUIRING DRILLED HOLES



Corner locks

Art. No. 05.100, 05.103,
 05.105, 05.116, 05.117,
 05.118, 05.119

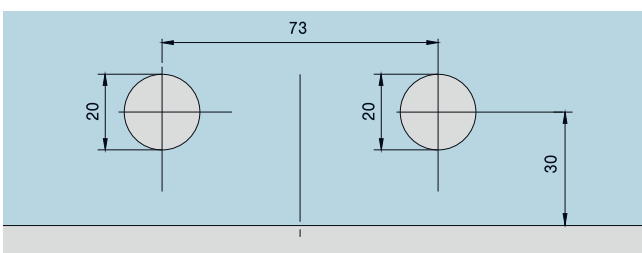
Scale 1 : 2



Strike boxes

Art. No. 05.108, 05.109

Scale 1 : 2

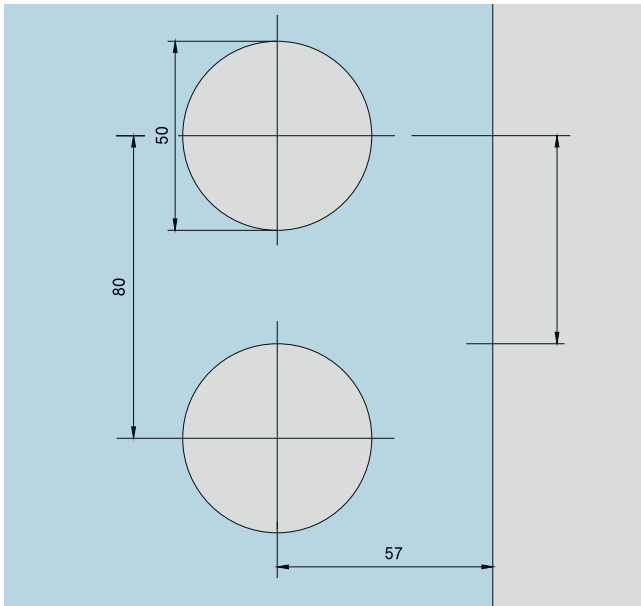


Strike boxes

Art. No. 05.110, 05.111

Scale 1 : 2

GLASS PREPARATION FOR CENTRE LOCKS AND STRIKE BOXES, REQUIRING DRILLED HOLES



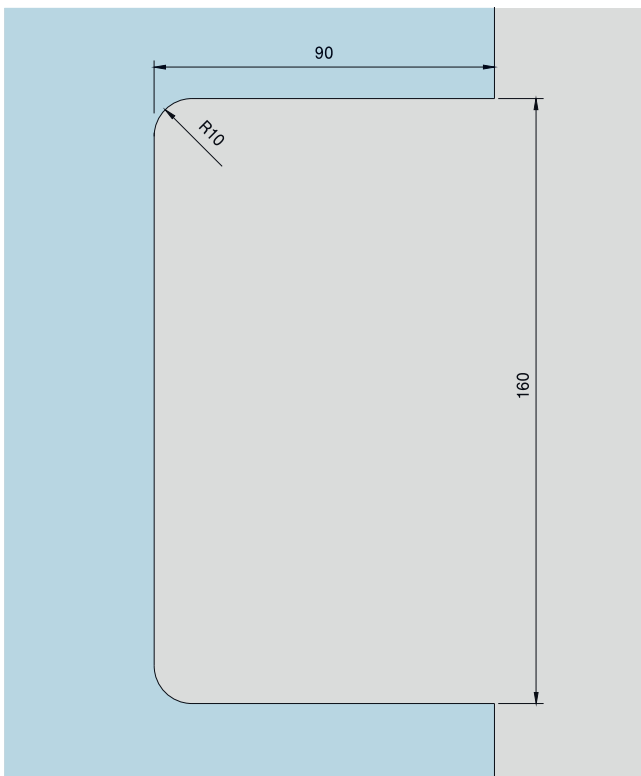
Centre locks

Art. No. 11.216, 11.217,
11.220, 11.221, 11.224,
11.225, 11.250, 11.251,
11.252, 11.253, 11.254,
11.255

Strike boxes for centre locks

Art. No. 11.206, 11.207,
11.218, 11.219, 11.222,
11.223

Scale 1 : 2



Centre locks with nightlatch function, hook bolts and strike boxes

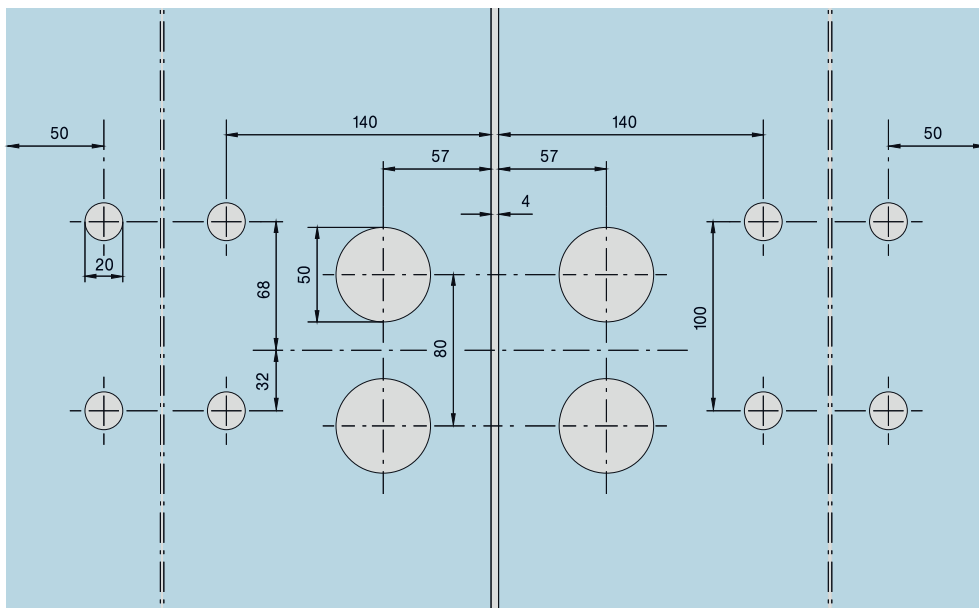
Art. No. 05.200, 05.201,
05.202, 05.210, 05.211,
05.212, 05.213

Scale 1 : 2

Centre locks and strike boxes with midrails

Art. No. 05.220, 05.221, 05.222, 05.223, 05.246, 05.247, 05.256, 05.257

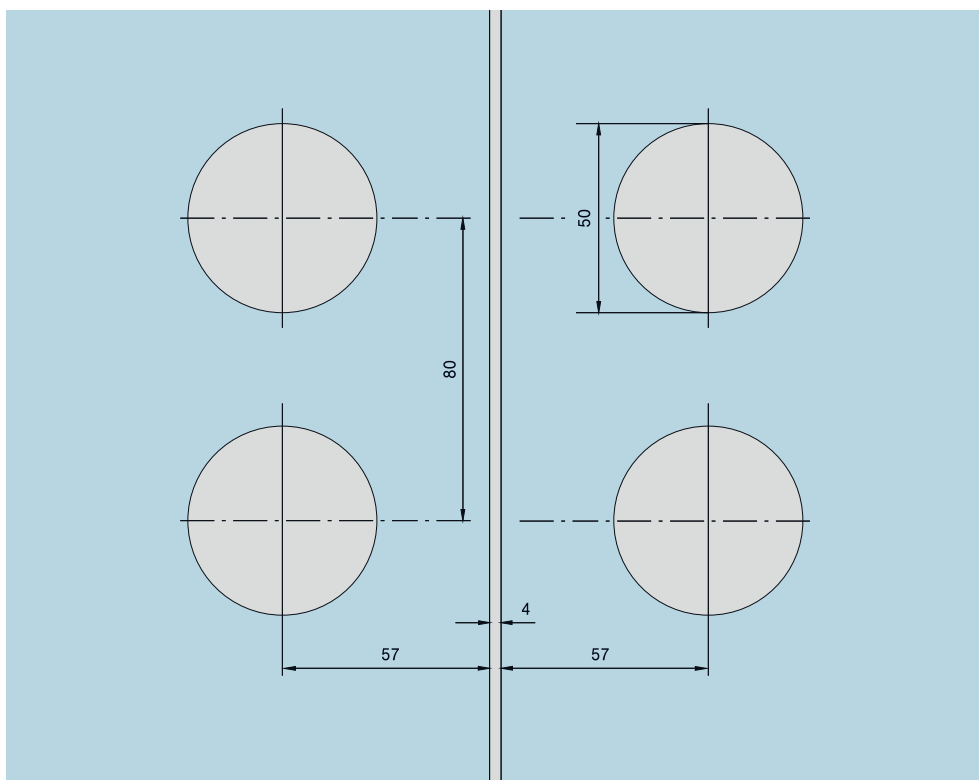
Scale 1 : 4



Centre locks with latch and lock bolts, and strike boxes

Art. No. 05.224, 05.225, 05.226, 05.227, 05.240, 05.241, 05.244, 05.245, 05.258, 05.259,

Scale 1 : 2



ACCESSORIES

General information

134

**Floor bearings, Lock keeper
plate, Floor sockets**

135

Top bearings, pivots

136

Wall connection and cylinders

138

**Profiles, Pull handle,
handle bars**

139

Clamping fittings

143

Universal gasket sets

145

**Wall connecting profile system,
U-profile**

146

Accessories for door closer

154

Safety-related information

157



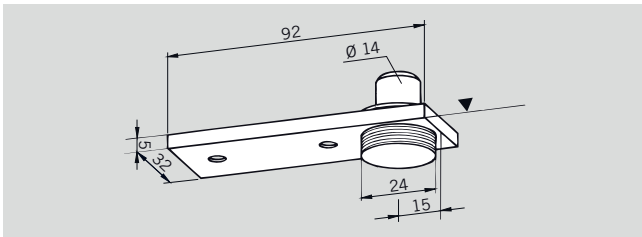
PERFECTION IN DETAIL

Original accessories for patch fittings, door rails and locks, matched to the DORMA-Glas product range, are available.

They ideally complement the range of DORMA-Glas hardware to optimise the technical excellence and cost effectiveness of toughened glass systems of all types.

Aside from functional components such as special floor pivots – including models for wet rooms – DORMA also offers a choice of security-relevant options. Their installation further enhances the exceptional functional efficiency, reliability and long service life expected of DORMA-Glas systems.

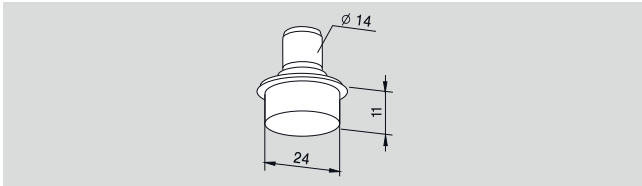
FLOOR BEARING, LOCK KEEPER PLATE, FLOOR SOCKET



Floor pivot bearing
with round pivot 14 mm Ø,
and cover plate;
height adjustable by 5 mm
max. door weight 100 kg

Art. No. 01.106

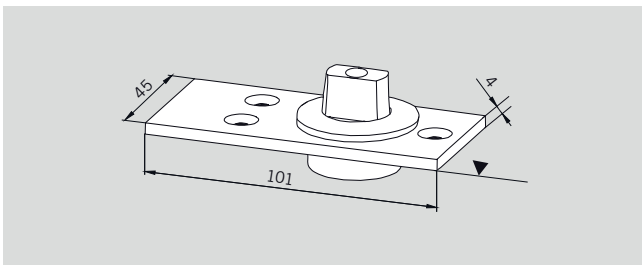
Weight in kg:
aluminium 0.155
brass 0.170
stainless steel 0.169



Floor pivot bearing
with round pivot 14 mm Ø
and pin 24 mm Ø
max. door weight 100 kg

Art. No. 01.107

Weight in kg: 0.078



Floor bearing
with DORMA profile spindle
(longer spindle on request),
max. door weight 200 kg

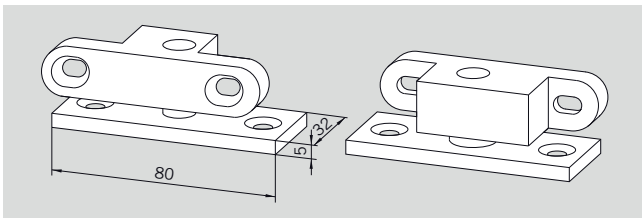
Art. No. 04.602

Weight in kg: 0.254

Stainless steel,
max. door weight 200 kg

Art. No. 04.603

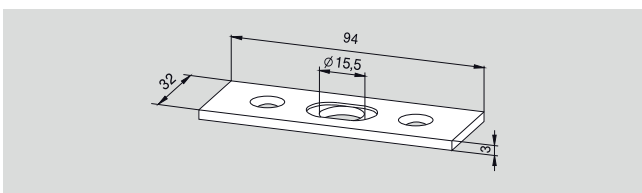
Weight in kg: 0.256



Floor pivot bearing
for damp environments, with
insert for Universal for mounting
onto floor surface
max. door weight 80 kg

Art. No. 01.137

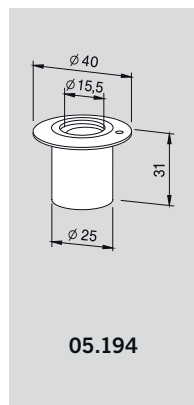
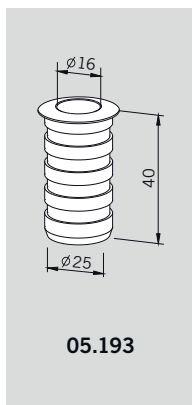
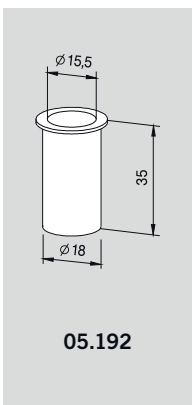
Weight in kg: 0.195



Lock keeper plate,
stainless steel, two parts,
adjustable ± 5 mm

Art. No. 05.190

Weight in kg: 0.048



Floor socket,
zinc coated brass for lock bolt

Art. No. 05.192

Weight in kg: 0.020

Floor socket, aluminium,
with spring and plastic stopper,
dirt protection

Art. No. 05.193

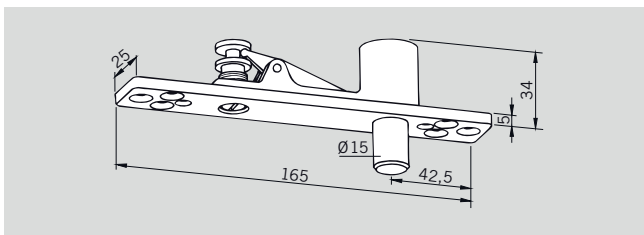
Weight in kg: 0.026

Eccentric socket, eccentric,
zinc coated brass, with
adjustable plastic socket insert

Art. No. 05.194

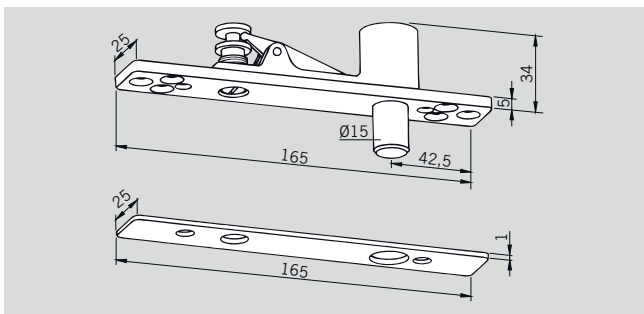
Weight in kg: 0.020

TOP BEARING, PIVOTS



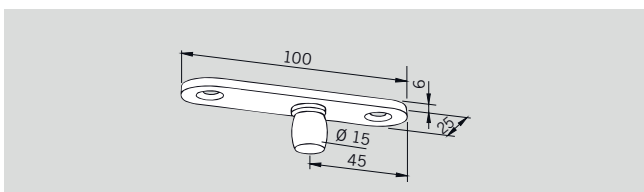
PT 21 frame portion
top centre with removable pin
15 mm Ø

Art. No. 01.117
Weight in kg: 0.335



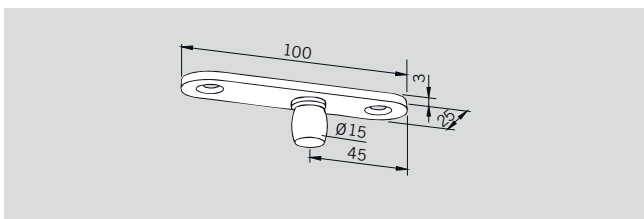
PT 21 frame portion
top centre with removable pin
15 mm Ø, with cover plate

Art. No. 01.118
Weight in kg: 0.345



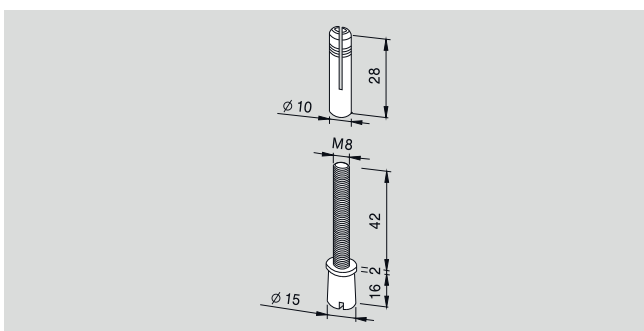
PT 24 pivot
15 mm Ø, with fixing plate,
material thickness 6 mm,
to let **into ceiling**

Art. No. 01.116
Weight in kg:
aluminium 0.058



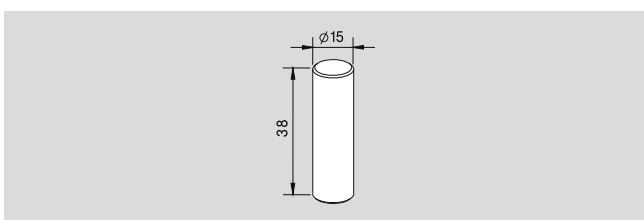
PT 24 pivot
15 mm Ø, with fixing plate,
material thickness 3 mm,
to screw **on the ceiling**

Art. No. 01.123
Weight in kg:
aluminium 0.042
stainless steel 0.074



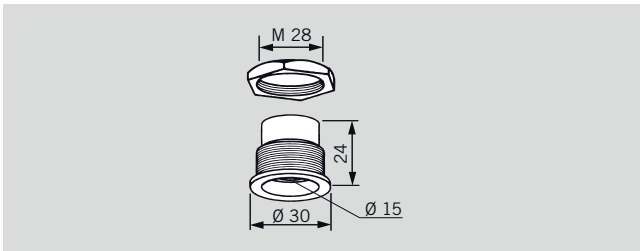
PT 25 pivot
15 mm Ø with plug

Art. No. 01.115
Weight in kg: 0.044



Loose pivot pin
for interface between patch
and rail

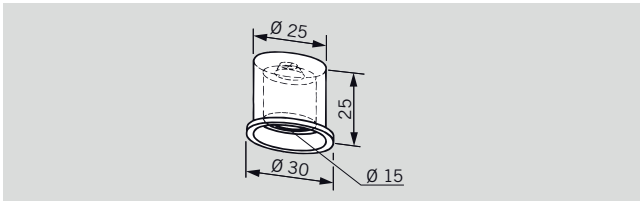
Art. No. 04.601
Weight in kg: 0.050



Top pivot bearing,
brass, nickel plated,
for installation in frame or
ceiling for 15 mm Ø pivot pin

Art. No. 01.129

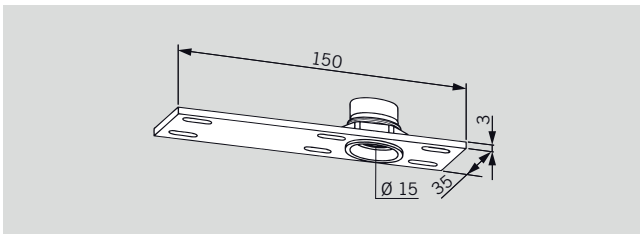
Weight in kg: 0.065



Top pivot bearing,
aluminium, for installation in
frame or ceiling for 15 mm Ø
pivot pin

Art. No. 01.130

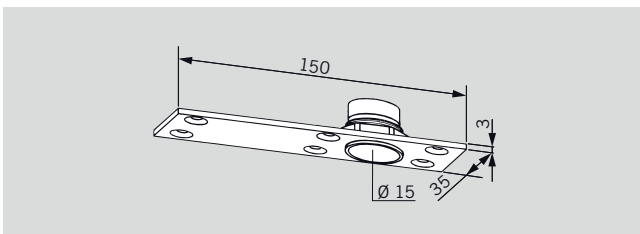
Weight in kg: 0.018



Top pivot bearing
with steel fixing plate,
for 15 mm Ø pivot pin

Art. No. 01.131

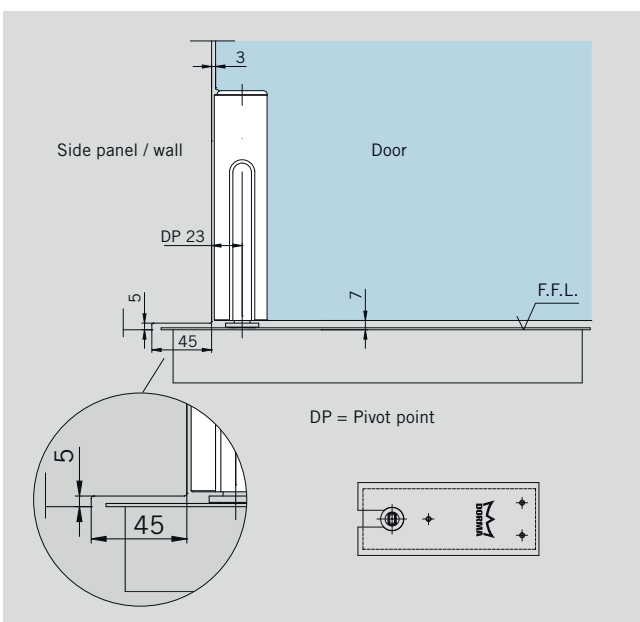
Weight in kg: 0.160



Top pivot bearing
with aluminium fixing plate,
for 15 mm Ø pivot pin

Art. No. 01.132

Weight in kg: 0.099

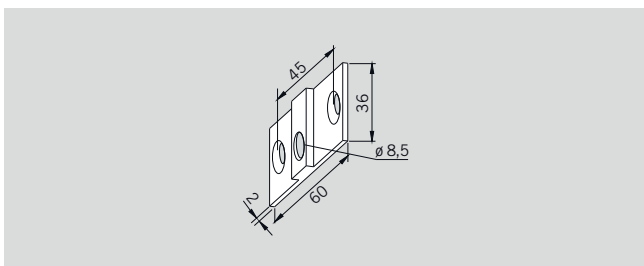


Combination

BEYOND and DORMA BTS

(door closer available from
DORMA Door Control Division)
With the BTS floor spring, the
position of the pivot point
means that the unit has to be
buried under the adjacent wall,
or that the glass side screen has
to be appropriately machined
(see adjacent detail). The height
of the recess cut into the glass
will need to be adapted to the
installation situation and the
means by which the side screen
is fixed.

WALL CONNECTION AND CYLINDERS



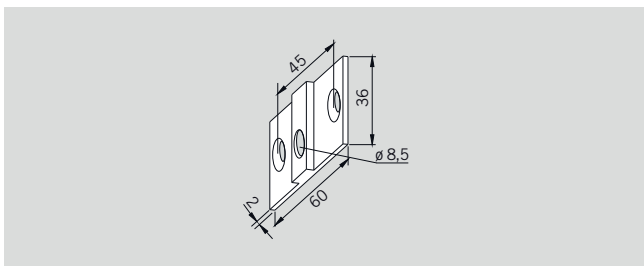
Fixing plate

for overpanel patch PT 30 and overpanel strike box GK 30

Art. No. 03.128

Weight in kg:
aluminium 0.016
brass 0.038

Stainless steel not available, satin chrome on brass supplied.



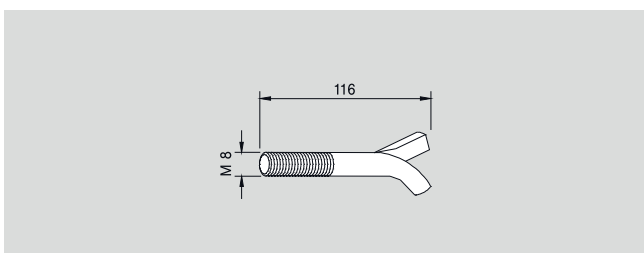
Fixing plate

for overpanel patches from EP and EA program

Art. No. 01.127

Weight in kg:
aluminium 0.019
brass 0.045

Stainless steel not available, satin chrome on brass supplied.

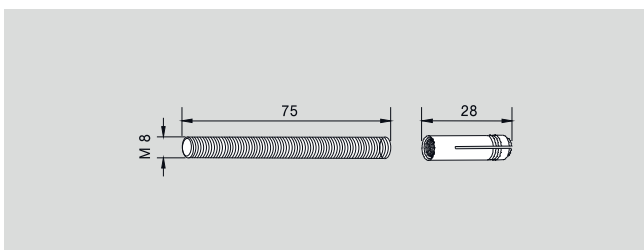


Wall anchor

with thread M 8 for overpanel patch

Art. No. 01.133

Weight in kg: 0.040

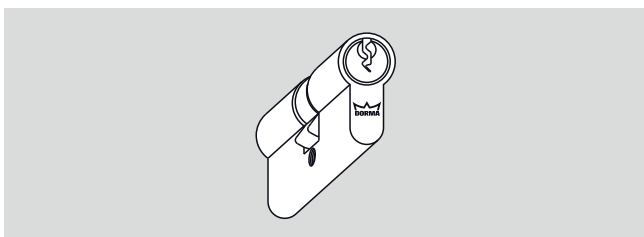


Threaded rod

M 8 with plug for overpanel patch

Art. No. 01.134

Weight in kg: 0.032



Profile cylinder

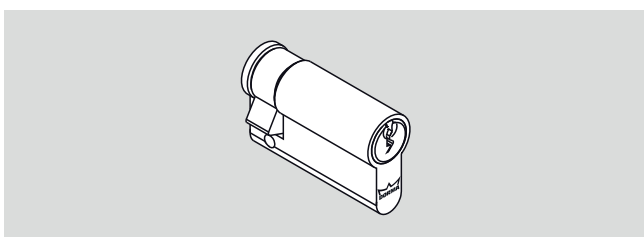
length 61 mm, differently keyed, with DORMA Logo

Art. No. 05.001

Profile cylinder

length 61 mm, equally keyed, with DORMA Logo

Art. No. 05.002



Half-profile cylinder

length 31 mm, differently keyed, with DORMA Logo

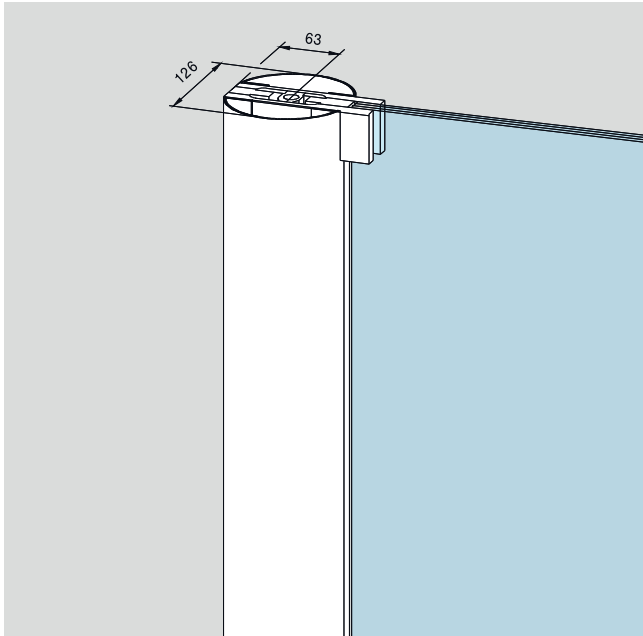
Art. No. 05.003

Half-profile cylinder

length 31 mm, equally keyed, with DORMA Logo

Art. No. 05.004

PROFILES



Aluminium round profile

for pinch free doors with 65 mm pivot point, consisting of 2 halves, prepared for Universal fittings or door rails (76.5 mm or 100 mm). Please indicate:

- Panel height (max. 2500 mm, higher dim. on request)
- Required preparation of the profile for top and bottom fittings

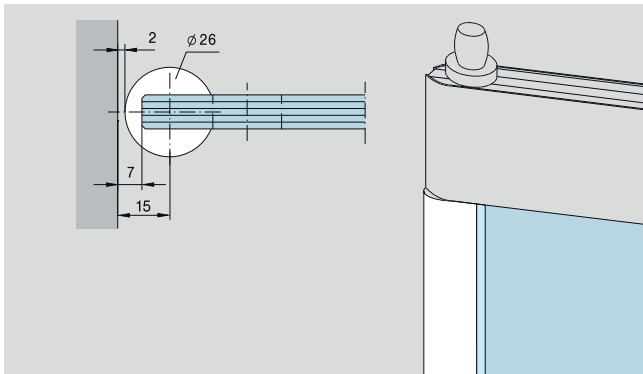
Fixed length
Stock length 6000 mm
Stock length 3000 mm

Art. No. 03.380

Art. No. 03.381

Art. No. 03.382

Weight in kg/m:
aluminium 4.744



Radiused edging strip

for fittings with 15 mm/18 mm pivot point. For pinch free doors, (strip is clamped onto free glass edge), Acrylic.

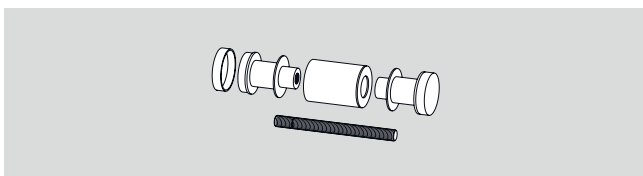
Length: up to 4500 mm
(specify height)
Length: 2250 mm

Art. No. 01.230

Art. No. 01.231

Weight in kg/m: 0.408

PULL HANDLES, HANDLE BARS

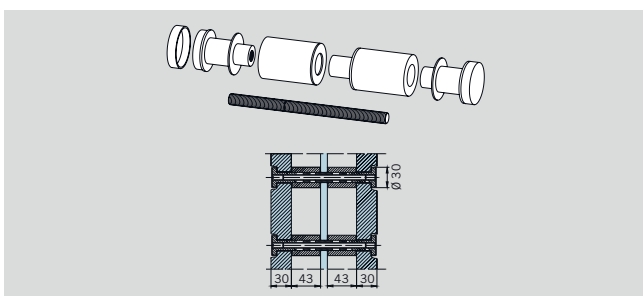


Single pull handle fixings

20 mm Ø hole prep. required

Art. No. 13.001

Weight in kg:
aluminium 0.135

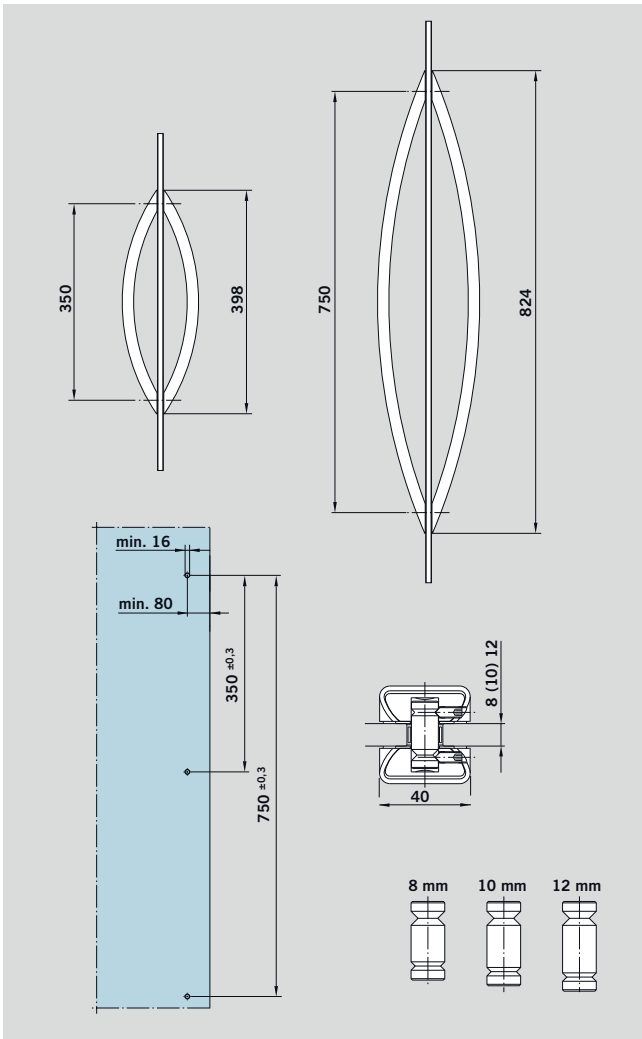


Back to back pull handle fixings

20 mm Ø hole prep. required

Art. No. 13.002

Weight in kg:
aluminium 0.249



ARCOS handle bar

350 mm
2 hole fixing for 8, 10 and
12 mm glass thickness

Art. No. 26.500

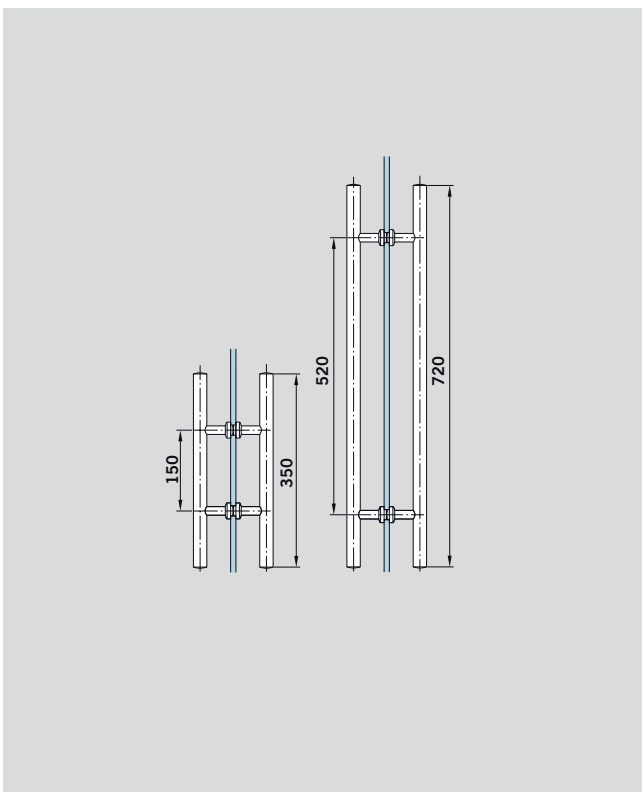
Weight in kg:
aluminium 1.660

ARCOS handle bar

750 mm
2 hole fixing for 8, 10 and
12 mm glass thickness

Art. No. 26.510

Weight in kg:
aluminium 3.260



Pair of handle bars

length 350 mm
2 hole fixing for 8, 10 and
12 mm glass thickness

satin stainless steel

Art. No. 21.267

Weight in kg:
stainless steel 1,254

aluminium

Art. No. 03.400

Weight in kg:
aluminium 1,326

Pair of handle bars

length 720 mm,
2 hole fixing for 8, 10 and
12 mm glass thickness

satin stainless steel

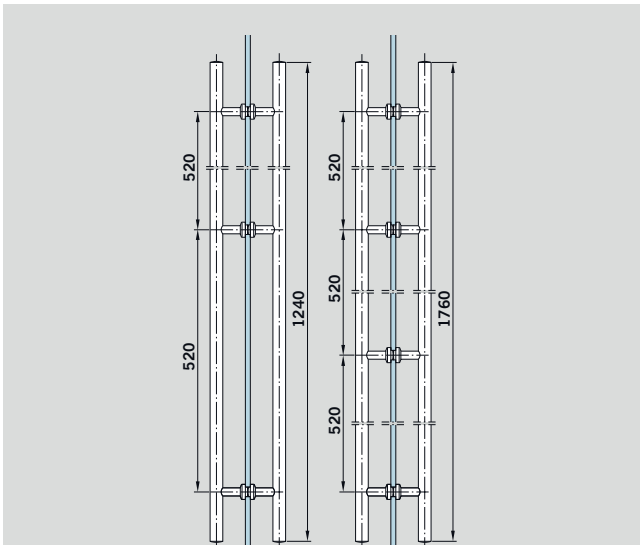
Art. No. 21.270

Weight in kg:
stainless steel 1,947

aluminium

Art. No. 03.402

Weight in kg:
aluminium 2,423



Pair of handle bars
length 1240 mm
3 hole fixing for 8, 10 and
12 mm glass thickness

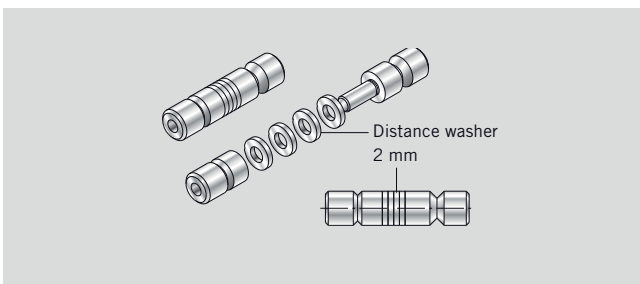
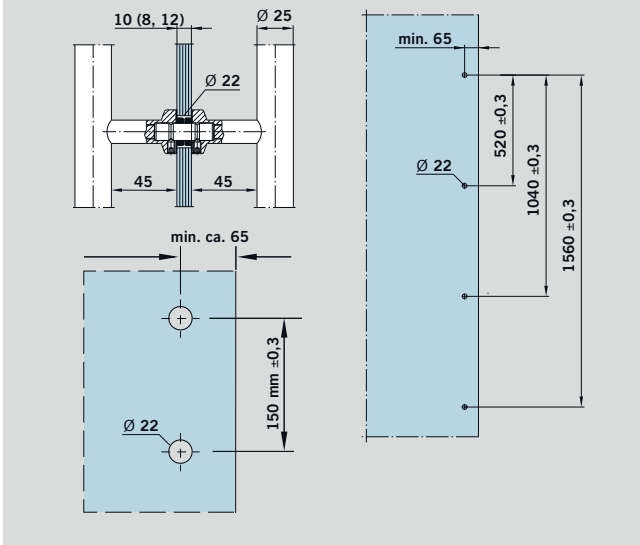
satin stainless steel

Art. No. 21.273
Weight in kg:
stainless steel 3.400

Pair of handle bars
length 1760 mm
4 hole fixing for 8, 10 and
12 mm glass thickness

satin stainless steel

Art. No. 21.276
Weight in kg:
stainless steel 5.000

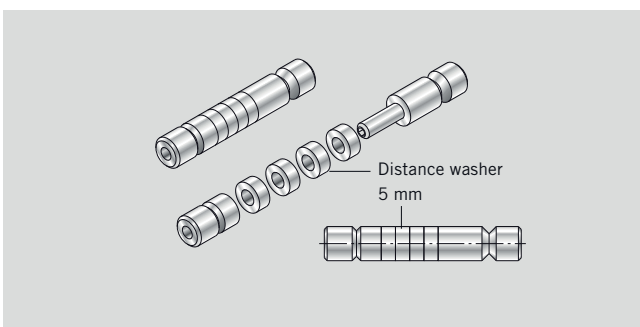


Conversion set 1 for glass doors,
pair of pull handles satin stain-
less steel / knob back-to-back
door thicknesses 13.5–21.5 mm

Art. No. 21.285

door thickness 13.5 mm:
door thickness 15 mm:
door thickness 17.5 mm:
door thickness 19 mm:

without distance washer
with 1 distance washer
with 2 distance washer
with 3 distance washer

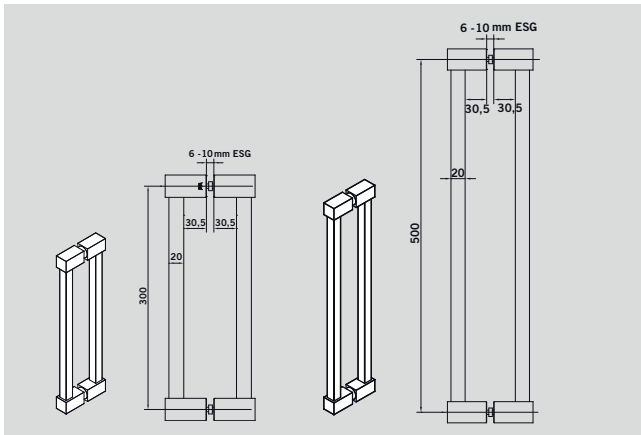


Conversion set 2 for timber
doors,
pair of pull handles satin stain-
less steel / knob back-to-back
door thicknesses 20–40 mm

Art. No. 21.286

door thickness 20 mm:
door thickness 25 mm:
door thickness 30 mm:
door thickness 35 mm:
door thickness 40 mm:

without distance washer
with 1 distance washer
with 2 distance washer
with 3 distance washer
with 4 distance washer



Handle bar „Square“

Aluminium
double sided, for 8–10 mm
glass thickness

2 hole fixing 300 mm

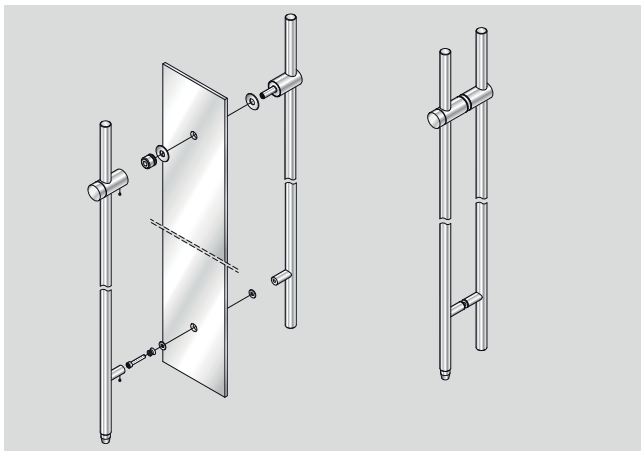
Art. No. 75.084

Weight in kg: 1.174

2 hole fixing 500 mm

Art. No. 75.085

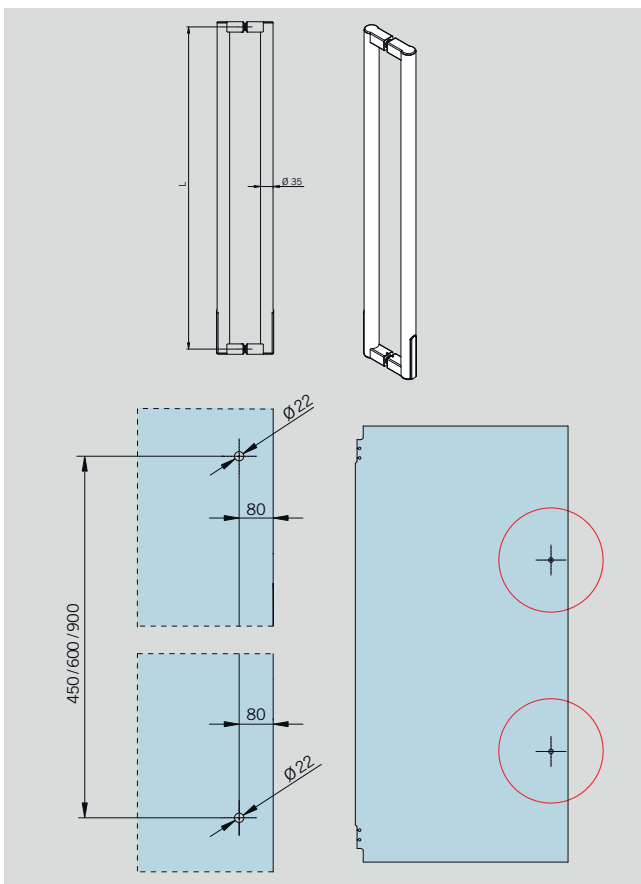
Weight in kg: 1.605



Lockable back to back handle bar

Art. No. 21.279

for 6–16 mm glass,
1225 mm, with 2 fixings,
complete with closing device
and cylinder



BEYOND handle bar

for 10 an 12 mm glass,
two hole fixing

Length (L) 450 mm

Art. No. 30.300

Length (L) 600 mm

Art. No. 30.305

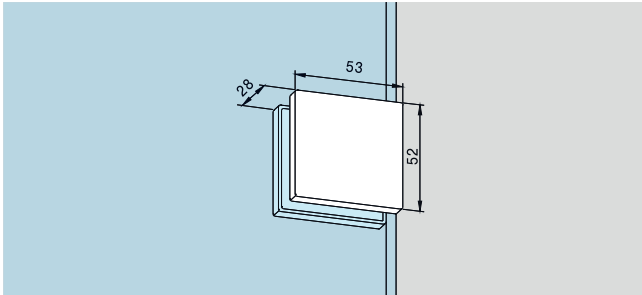
Length (L) 900 mm

Art. No. 30.310

CLAMPING FITTINGS

Important information:

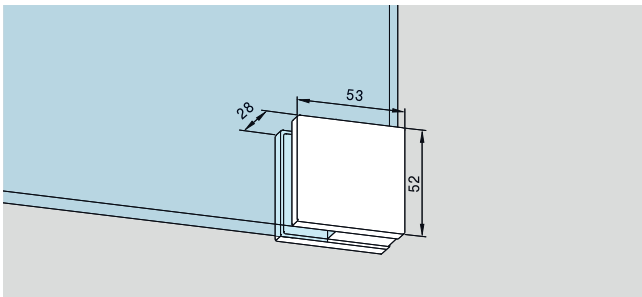
For free hanging mounting of glass please use safety clamping fittings. Torque for fixing screws 15 Nm (M 6=Allan key size 5). 20 kg load for each clamping fitting.



PT 90 Srew on fitting

Art. No. 07.021

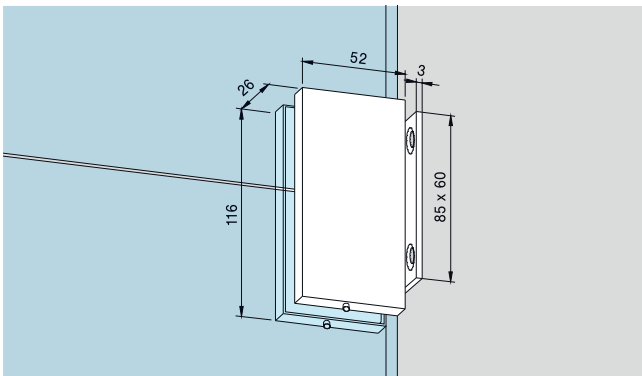
Weight in kg:
 aluminium 0.120
 brass 0.160
 stainless steel 0.155



PT 91 corner fitting

Art. No. 07.023

Weight in kg:
 aluminium 0.120
 brass 0.160
 stainless steel 0.155

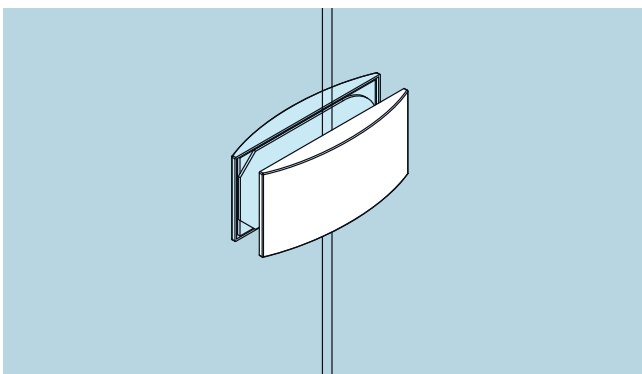


**Side connector
with fixing plate**

Art. No. 01.153

Also suitable for 12 mm glass thickness

Weight in kg:
 aluminium 0.313
 stainless steel 0.376

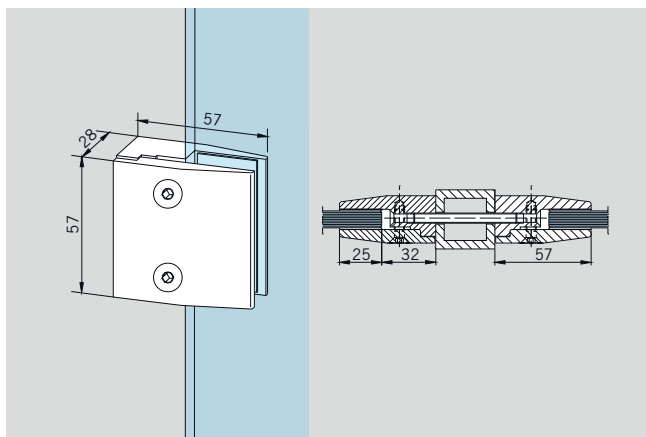


**Overpanel-sidelight
connector**

Art. No. 12.536

Glass preparation see page 31.

Weight in kg:
 aluminium 0,146

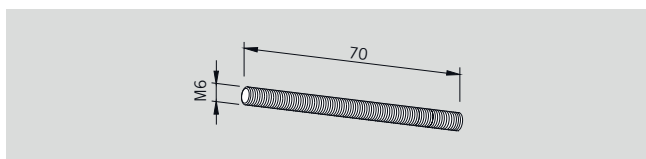


Clamping fitting, right angle
with srew thread M 6

for 8 mm glass thickness: **Art. No. 07.008**
Weight in kg:
aluminium 0.185

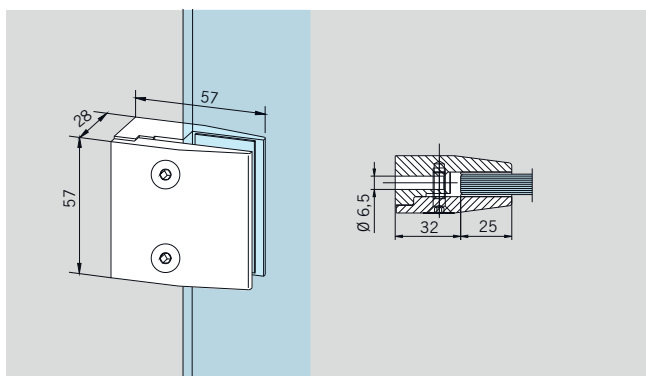
for 10 mm glass thickness: **Art. No. 07.009**
Weight in kg:
aluminium 0.181

for 12 mm glass thickness: **Art. No. 07.010**
Weight in kg:
aluminium 0.180



Threaded bolt
M 6 x 70 mm, zinc plated

Art. No. 07.020
Weight in kg:
aluminium 0.012

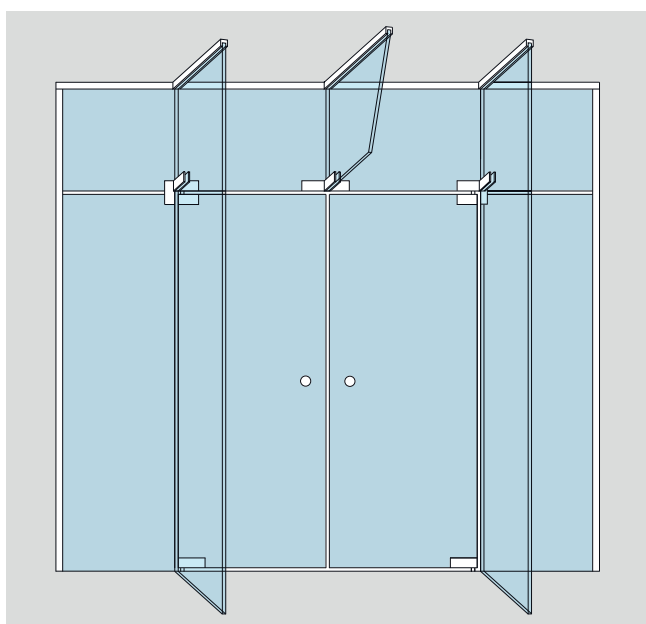


Clamping fitting,
aluminium, with passage hole
for M 6 thread

for 8 mm glass thickness: **Art. No. 07.037**
for 10 mm glass thickness: **Art. No. 07.038**
for 12 mm glass thickness: **Art. No. 07.039**

Weight in kg:
aluminium 0.180

USAGE AND ASSEMBLY OF FINS



Fins see pages 12–17 and 21.
Other assemblies on request.

Fin fittings and corner connectors do not have a supporting structure. Overpanels, side-lights and fins have to be fixed securely to the ceiling by DORMA wall connecting profiles or similar systems.

UNIVERSAL GASKET SETS

Gasket sets for 12 mm glass thickness

for PT10/20/22/29/30/GK30	Art. No. 03.900
for US 10/20/GK50	Art. No. 03.901
for PT40/41/42/GK40/41/42	Art. No. 03.902
for PT51	Art. No. 03.903
for PT60/61/62	Art. No. 03.904
for PT70/71	Art. No. 03.905
for PT80/81	Art. No. 03.906
for PT80 semi-high	Art. No. 03.907
for PT90/91	Art. No. 03.908
for sidelight connector 01.153	Art. No. 03.909
for patch fitting 03.198, for patch fittings with 15 mm pivot point 01.200/ 01.201, 01.210/ 01.220	Art. No. 03.910
for patch fittings for overpanels with 15 mm pivot point 01.240/ 01.245	Art. No. 03.911

Gasket sets for 8 mm glass thickness

for PT10/20/22/29/30/GK30	Art. No. 03.920
for US 10/20/GK50	Art. No. 03.921
for PT40/41/42/GK40/41/42	Art. No. 03.922
for PT51	Art. No. 03.923
for PT60/61/62	Art. No. 03.924
for PT70/71	Art. No. 03.925
for PT80/81	Art. No. 03.926
for PT80 semi-high	Art. No. 03.927
for PT90/91	Art. No. 03.928
for sidelight connector 01.153	Art. No. 03.929
for patch fitting 03.198	Art. No. 03.930

WALL CONNECTING PROFILE SYSTEM

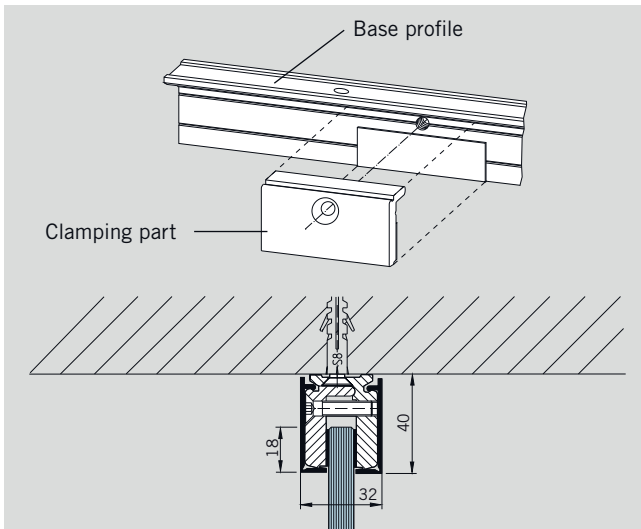
Consisting of: base profile, with bore holes (every 300 mm),
incl. clamping parts with screws and gasket strips.

Application:

e. g. all around frame system for toughened glass assemblies, with fittings on sides and ceiling.

The **safety type** prevents free hanging glass elements from falling down, by fixing the clamping fitting through glass holes.

15 kg load for each clamping part, torque for fixing screws 15 Nm (M 6 = Allan key size 4).



Base profile

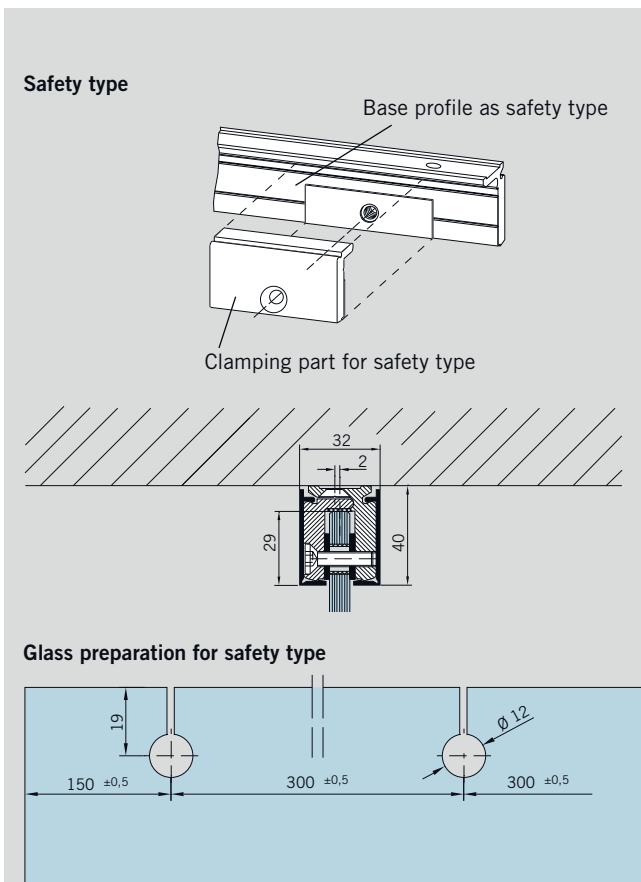
6000 mm stock length

- for 8 mm glass thickness: **Art. No. 07.042**
- for 10 mm glass thickness: **Art. No. 07.001**
- for 12 mm glass thickness: **Art. No. 07.002**
- for 12,7 mm glass thickness: **Art. No. 07.045**
- for 13,5 mm glass thickness: **Art. No. 07.046**
- for 15 mm glass thickness: **Art. No. 07.047**
- for 17 mm glass thickness: **Art. No. 07.048**
- for 19 mm glass thickness: **Art. No. 07.049**

as safety type

- for 8 mm glass thickness: **Art. No. 07.060**
- for 10 mm glass thickness: **Art. No. 07.061**

Weight in kg/m:
aluminium 1.200



Base profile

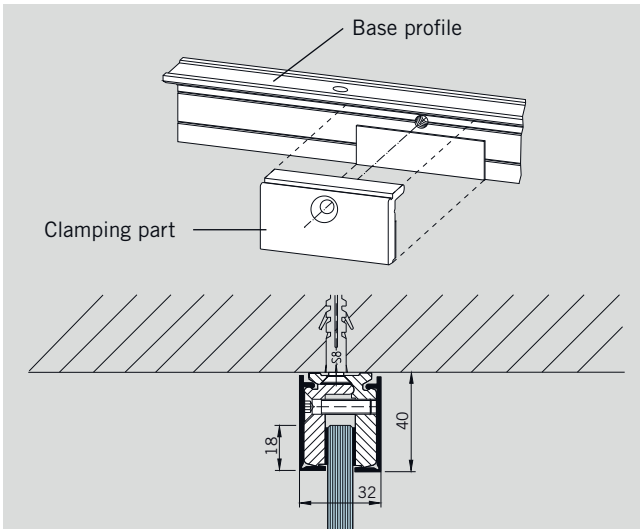
fixed length

- for 8 mm glass thickness: **Art. No. 07.050**
- for 10 mm glass thickness: **Art. No. 07.051**
- for 12 mm glass thickness: **Art. No. 07.052**
- for 12,7 mm glass thickness: **Art. No. 07.055**
- for 13,5 mm glass thickness: **Art. No. 07.056**
- for 15 mm glass thickness: **Art. No. 07.057**
- for 17 mm glass thickness: **Art. No. 07.058**
- for 19 mm glass thickness: **Art. No. 07.059**

as safety type

- for 8 mm glass thickness: **Art. No. 07.066**
- for 10 mm glass thickness: **Art. No. 07.067**

Weight in kg/m:
aluminium 1.200



Clamping part

60 mm long
with screw and gasket
for 8 mm glass thickness:
for 10 mm glass thickness:
for 12 mm glass thickness:

Art. No. 07.043

Art. No. 07.004

Art. No. 07.005

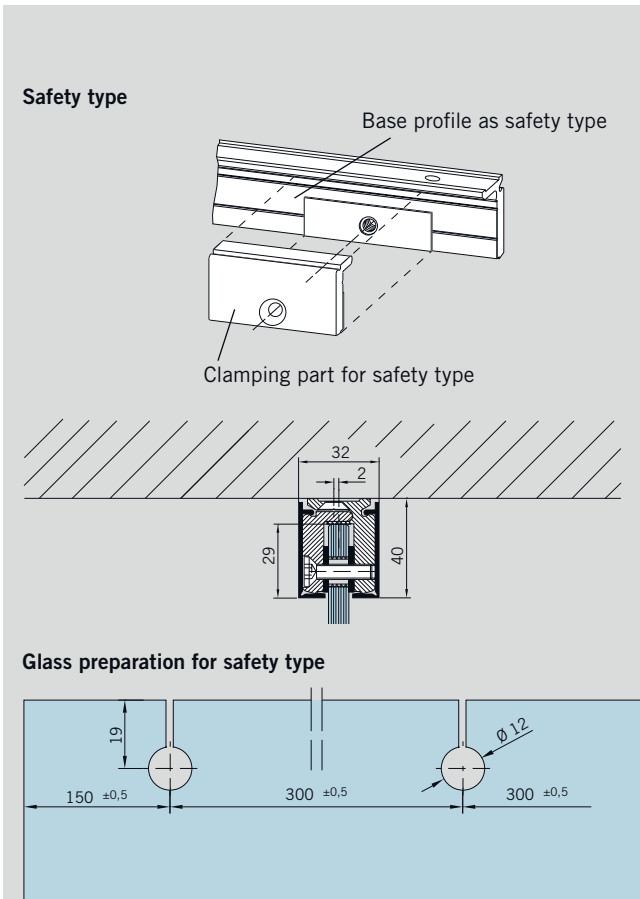
as safety type

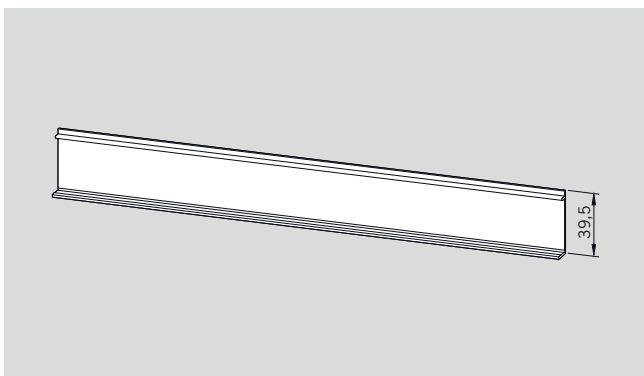
for 8 mm glass thickness:
for 10 mm glass thickness:

Art. No. 07.063

Art. No. 07.064

Weight in kg:
aluminium 0.055



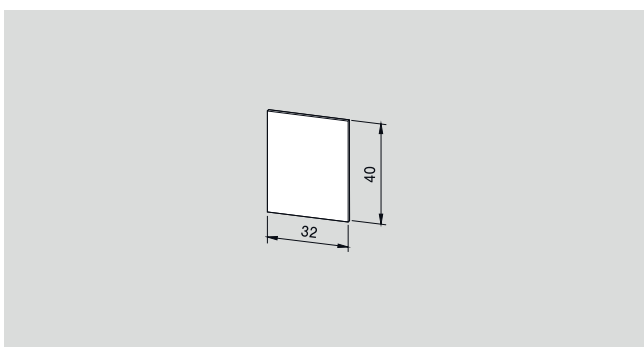


Clip on cover profile
brass, stainless steel, satin
and stainless steel polished
door available

6000 mm stock length
fixed length

Art. No. 07.003
Art. No. 07.053

Weight in kg/m:
aluminium 0.203
brass 0.373
stainless steel 0.373

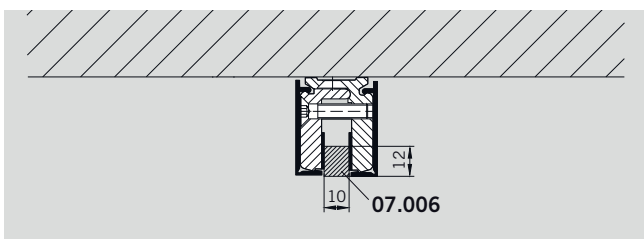


End cap

for 8 and 10 mm glass
thicknesses
for 12–13,5 mm glass
thicknesses
for 15–19 mm glass
thicknesses

Art. No. 07.007
Art. No. 07.044
Art. No. 07.065

Weight in kg:
aluminium 0.003
brass 0.006
stainless steel 0.006

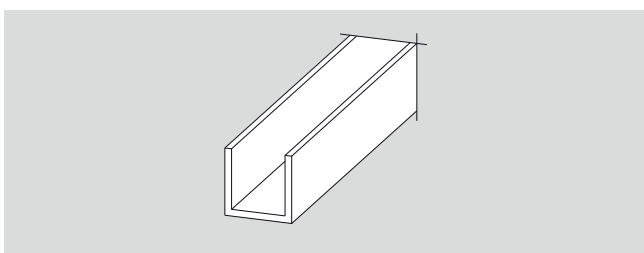


Filler block, 10 x 12 mm

6000 mm stock length
fixed length

Art. No. 07.006
Art. No. 07.054

Weight in kg:
aluminium 0.315



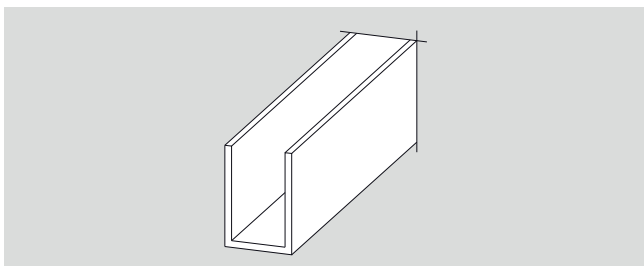
U-profile

20 x 20 x 20 x 2 mm

6000 mm stock length
fixed length

Art. No. 07.092
Art. No. 07.093

Weight in kg/m:
aluminium 0.336



U-profile

30 x 20 x 30 x 2 mm

6000 mm stock length
fixed length

Art. No. 07.097
Art. No. 07.096

Weight in kg/m:
aluminium 0.448

WALL CONNECTING FRAME SYSTEM MR 22 AND MR 28

Comprising a frame profile (series-drilled), a clamping profile and two contact rubber extrusions (PVC, transparent).

These decorative and elegant frame solutions are suitable for both indoor and outdoor applications and are characterised by their remarkably easy installation.

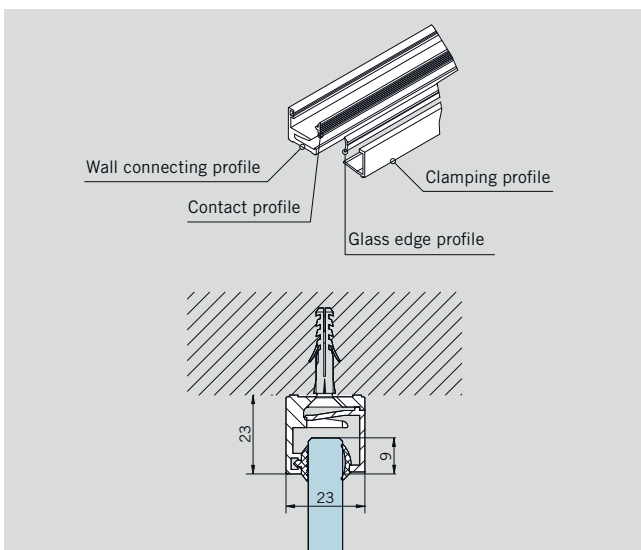
The viewface width in the case of the MR 22 is a mere 22 mm and in the case of the MR 28 it is just 28 mm. Suitable for glass thicknesses of 8 and 10 mm. No load transfer by the profiles.

Can be readily removed and re-installed elsewhere.

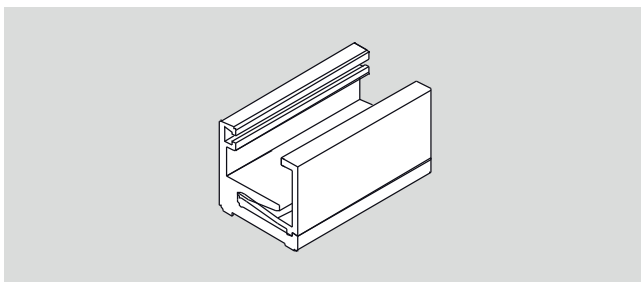
The MR 28 features an additional screw-fixing channel for connecting angle brackets and enables combination with mullion profiles for the vertical connection of several glass panels and also abutment to frame systems AT 44 and AT 50.

Applications:

e.g. surrounding frame for toughened glass systems for fixing to walls and ceilings



Base profile

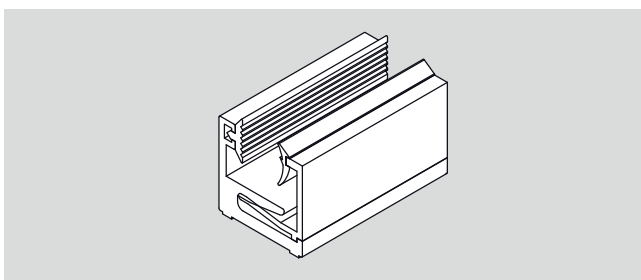


MR 22

in 6000 mm stock length,
without PVC profile

Art. No. 07.240

Weight in kg/m:
aluminium 0,648

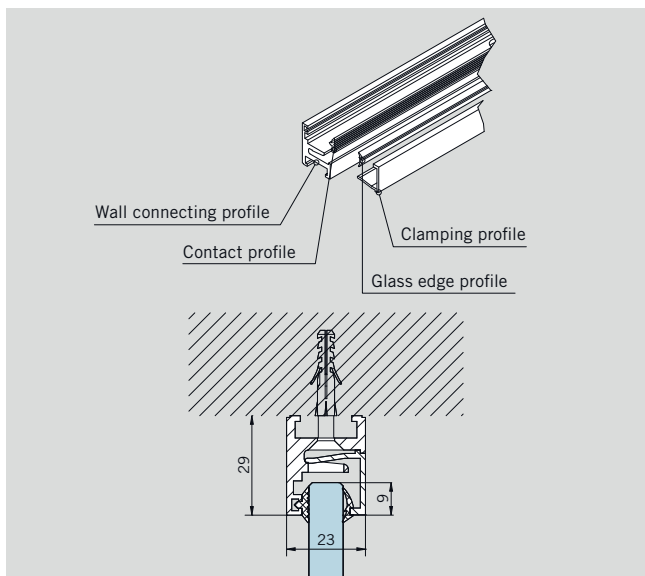


MR 28

in fixed length

Art. No. 07.250

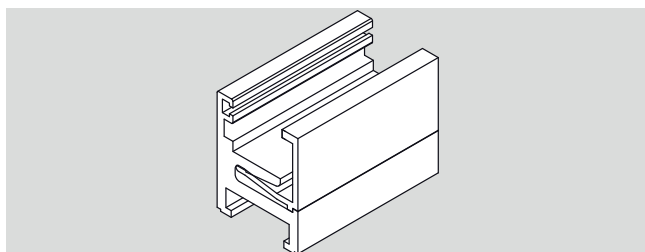
Weight in kg/m:
aluminium 0,648



Base profile

Attention:

Profiles are only delivered with straight cuts. Allowances in lengths of profiles to ensure producibility of bevel cuts have to be planned by the customer. The georgian bar profile must be prepared in addition on both sides. Please consider installation instruction

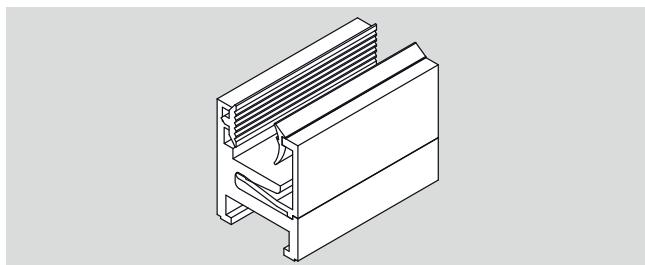


MR 28

in 6000 mm stock length, without PVC profile

Art. No. 07.241

Weight in kg/m:
aluminium 0,802

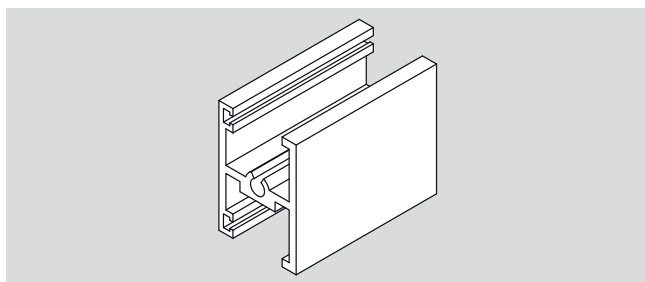


MR 28

in fixed length

Art. No. 07.251

Weight in kg/m:
aluminium 0,802

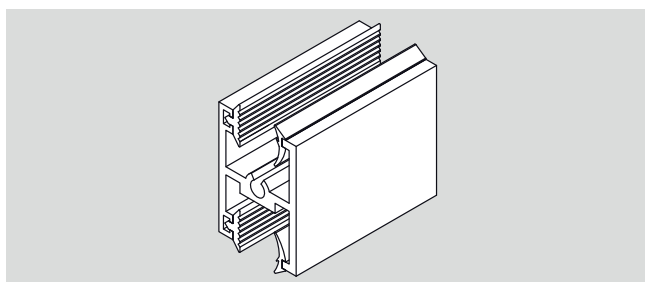


Georgian bar profile MR 28

in 6000 mm stock length, without PVC profile

Art. No. 07.242

Weight in kg/m:
aluminium 0,542



Georgian bar profile MR 28

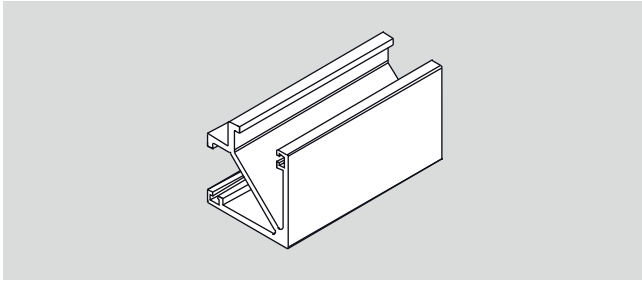
in fixed length

Art. No. 07.252

Screws for fixation at M 28 base profile are not included in delivery.

Recommendation:
counter sunk screw
4.2 mm x 32 mm

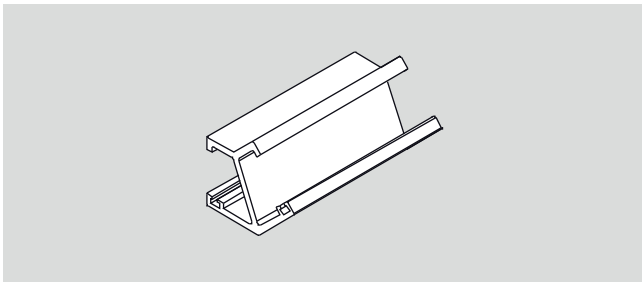
Weight in kg/m:
aluminium 0,542



**MR 28 georgian bar profile
90°**
in 6000 mm stock length

Art. No. 07.258

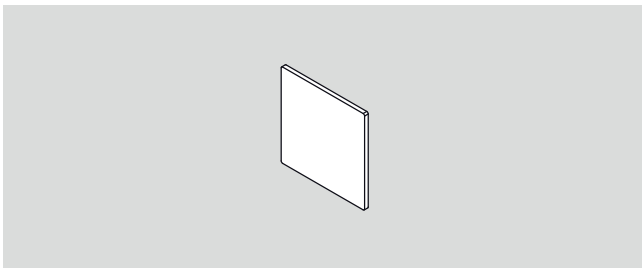
Weight in kg/m:
aluminium 0.598



**MR 28 georgian bar profile
135°**
in 6000 mm stock length

Art. No. 07.259

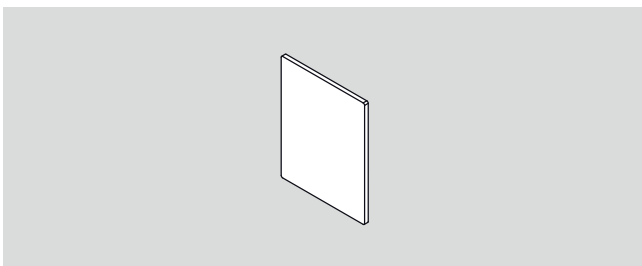
Weight in kg/m:
aluminium 0.466



End mounted plate MR 22

Art. No. 07.245

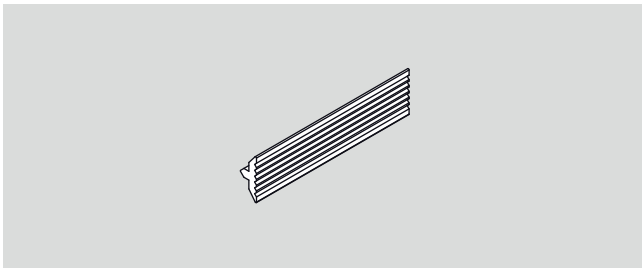
Weight in kg/pc:
aluminium 0,002



End mounted plate MR 28

Art. No. 07.246

Weight in kg/pc:
aluminium 0,002

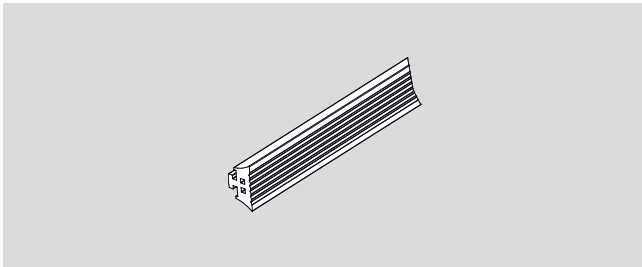


Contact profile
2 mm thick, grey

fixed length
stock length 50 m

Art. No. 07.255
Art. No. 07.265

Weight in kg/m:
PVC 0.023

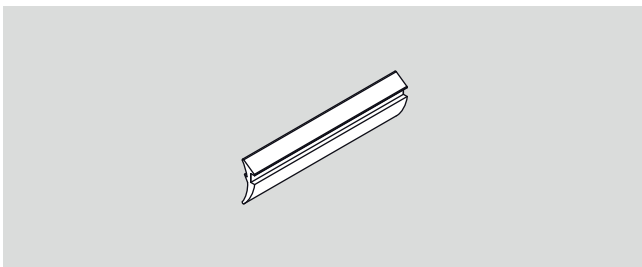


Contact profile
4 mm thick, grey

fixed length
stock length 50 m

Art. No. 07.256
Art. No. 07.266

Weight in kg/m:
PVC 0.037

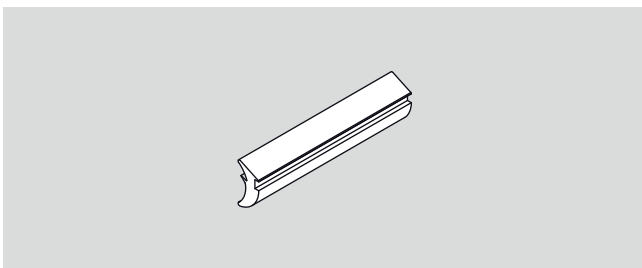


Glass wedge profile
2 mm thick, grey

fixed length
stock length 50 m

Art. No. 07.253
Art. No. 07.263

Weight in kg/m:
PVC 0.016

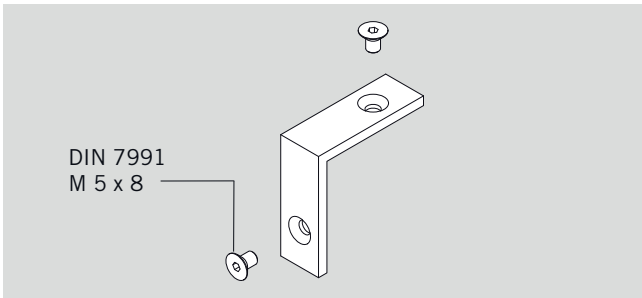


Glass wedge profile
4 mm thick, grey

fixed length
stock length 25 m

Art. No. 07.254
Art. No. 07.264

Weight in kg/m:
PVC 0.034

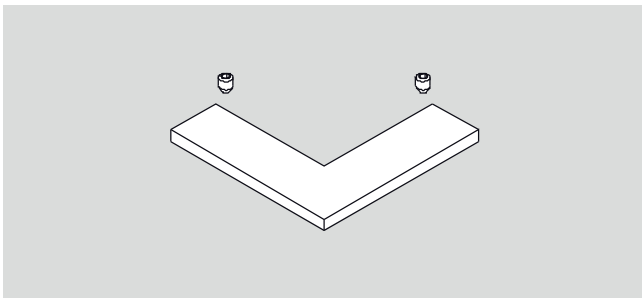


Corner connection set MR 28,
4 pieces per set

8 screws DIN 7991
M 5 x 8 included in scope of
delivery

Art. No. 07.247

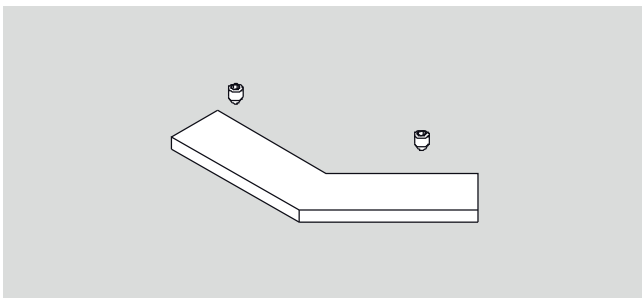
Weight in kg/pc:
aluminium 0,0021



**Corner connection for MR 28
georgian bar profil 90°**

2 grub screws DIN 916
M 4 x 5 included in scope of
delivery

Art. No. 07.248

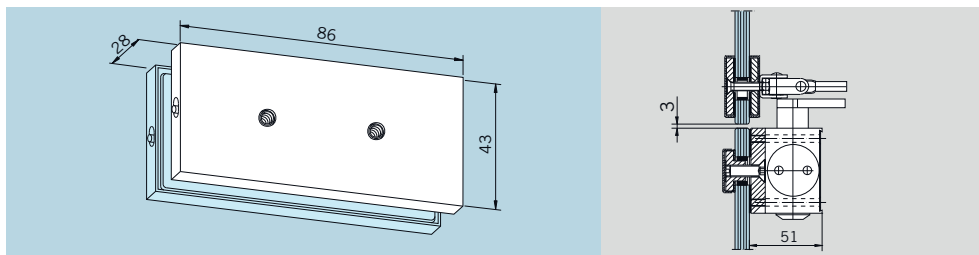


**Corner connection for MR 28
georgian bar profil 135°**

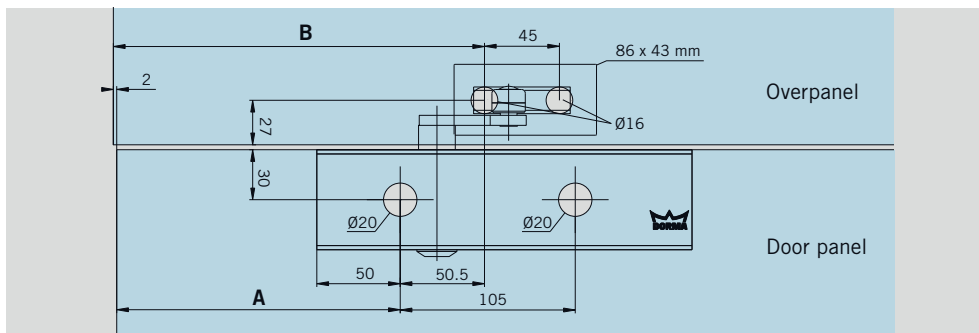
2 grub screws DIN 916
M 4 x 5 included in scope of
delivery

Art. No. 07.249

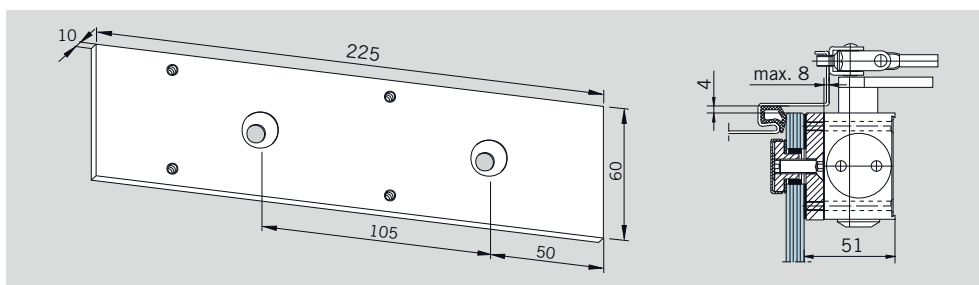
ACCESSORIES FOR DOOR CLOSER TS 73 V



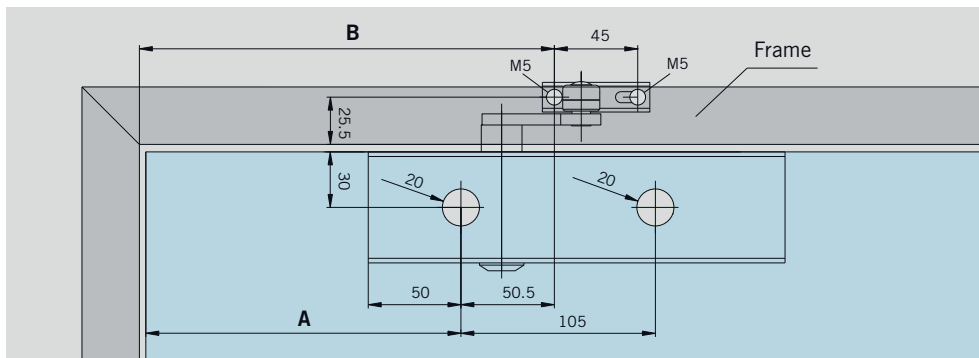
Fixing plate
for DORMA TS 73 V,
closer arm for overpanel
Art. No. 12.330
Weight in kg:
aluminium 0.132



Pivot point fitting	A	B
EA (AT)	195	248
Universal/EP	245	298
Studio/Junior	170	223
ARCOS Universal	262	315

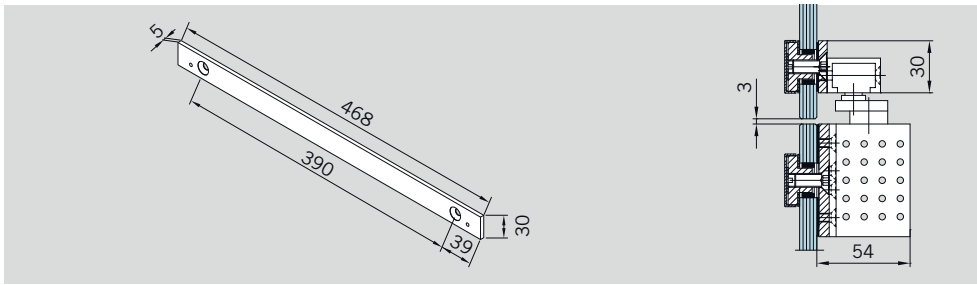


Fixing plate
225 mm,
for DORMA TS 73 V
Art. No. 12.335
Weight in kg
aluminium 0.289



Pivot point fitting	A	B
EA (AT)	195	248
Universal/EP	245	298
Studio/Junior	170	223
ARCOS Universal	262	315

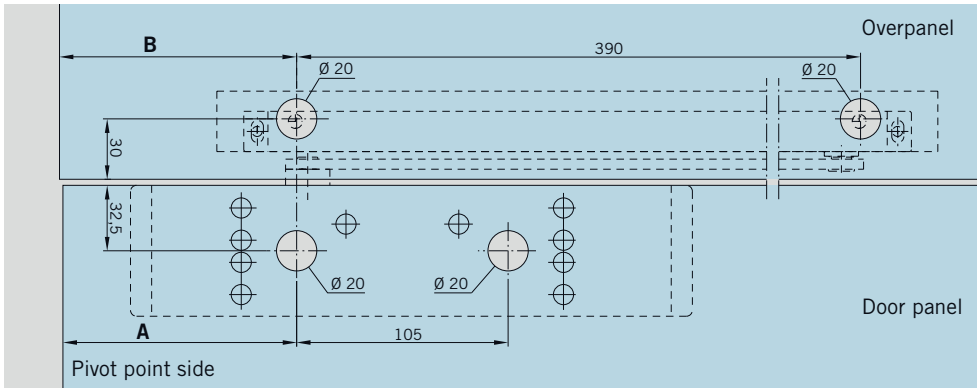
ACCESSORIES FOR DOOR CLOSER TS 92



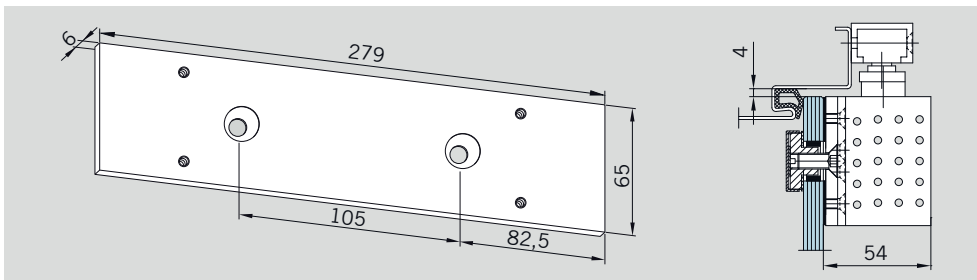
Fixing plate
for DORMA TS 92,
slide channel for overpanel

Art. No. 12.332

Weight in kg
aluminium 0.265



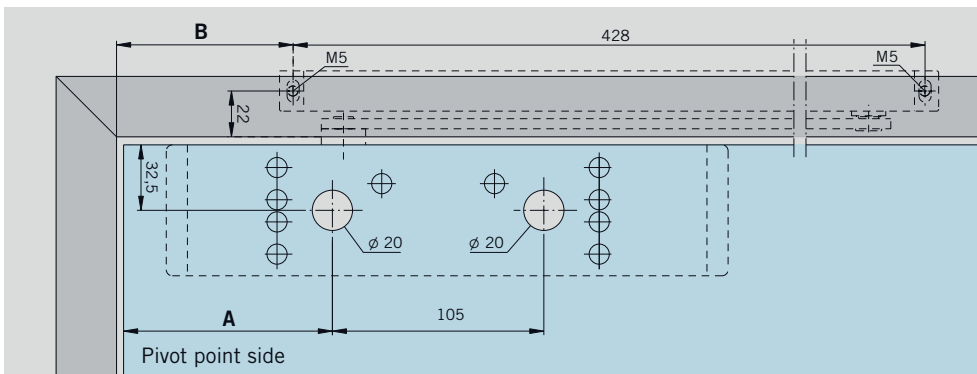
Pivot point fitting	A	B
EA (AT)/EP	200	202
Universal	250	252
Studio/Junior	148	150
ARCOS Universal	265	267



Fixing plate
279 mm,
for DORMA TS 92

Art. No. 12.334

Weight in kg:
aluminium 0.290

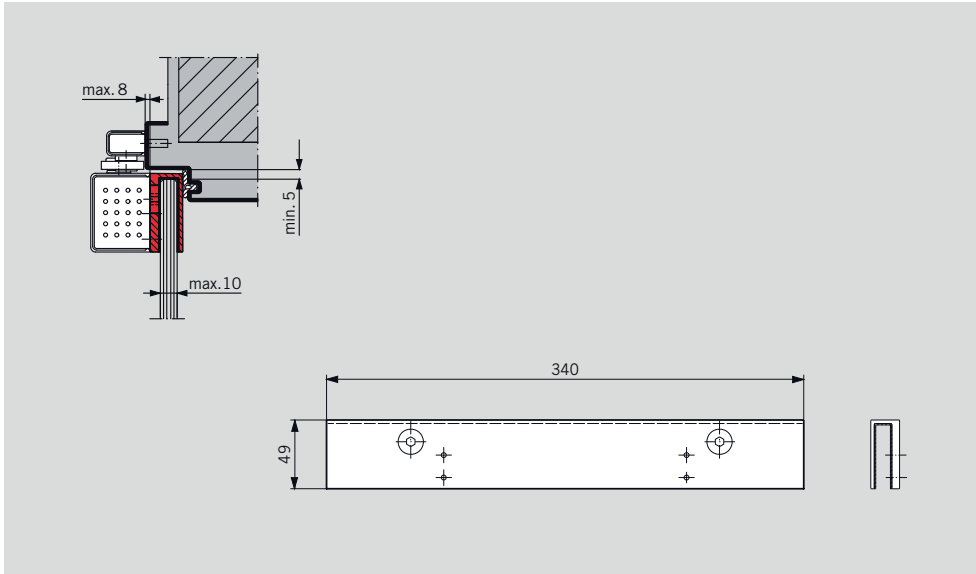


Pivot point fitting	A	B
EA (AT)/EP	200	182
Universal	250	232
Studio/Junior	148	132
ARCOS Universal	265	247



Saddle plate
and door closer TS 92 are
available at DORMA, Ennepetal,
or at special suppliers for
building hardware.

ACCESSORIES FOR DOOR CLOSER TS 97



Saddle plate for TS 97

For connecting the closer to toughened glass doors – no glass recess machining or drilling required.

The DORMA TS 97 with this special glass fixing bracket should be used with ARCOS Studio and ARCOS Office / Junior Office hinges.

PLANNING TOOLS



For planning of intelligent glass solutions we offer you several planning tools which allow you to create secure and professional solutions for any kinds of glass doors and toughend glass assemblies.

Your benefits:

- Easy to operate
- Professional and error-free preparation of offers
- Rapid response to incoming requests for quotations
- Highly reduced planning costs for time and money savings

The planning tools DGES and MANET COMPACT enable you to prepare designs and cost calculations quickly, reliably and professionally. The software provides you with all necessary documentation such as dimensioned technical drawings, glass sizes and preparation measures.

- DGES Fittings (for internal doors and toughend glass assemblies),
- DGES HSW (for horizontal sliding walls),
- MANET COMPACT planning tool (for MANET pivoting and sliding doors)



The printed colours indicating the surface finishes are not 100% true, but do provide a useful guide.

Statements made with regard to the nature or use of the products are for the purposes of descriptions. Assent with regard to the existence of particular properties or particular uses always requires special written agreement. Pictures may show special designs which are different to the standard scope of delivery.

Subject to change without notice.

SAFETY-RELATED INFORMATION

Important safety-related information for the mounting and use of DORMA glass fittings

(Follow these instructions in addition to the mounting and operating instructions in order to avoid damage of product and damage to person or property.)

Important: All users have to be informed about relevant points mentioned in these safety-related information and the mounting and operating instructions!

General information

1. DORMA recommends using TSG-H (heat soaked toughened safety glass) to DIN EN 12150-1.
2. DORMA glass fittings are not suitable for application in rooms where chemicals (e. g. chlorine) are used such as indoor swimming pools, saunas or salt-water pools.
3. Never move sliding panels faster than walking speed and always stop the door manually before it reaches end position.
4. Do not shut swing doors with excessive force. Install door stop to prevent door from opening too far.

Mounting

1. Only properly qualified and specially trained staff is authorised to mount DORMA glass fittings.
2. Never use glass with conchoidal fractures and/or damaged edges.
3. Due to crushing hazards – among others in the area of the secondary closing edge – and possible injury caused by breakage of glass during mounting, corresponding protective clothing (especially gloves and protective goggles) is required.
4. Clean clamping area with fat solvent (standard commercial cleaning agent) before mounting the glass fitting.
5. Never use clamping shoes on structured glass surfaces (except on satined glass) or glass of heavily varying thickness unless with a corresponding levelling layer.
6. Never use clamping shoes on self-cleaning coatings.
7. When adjusting glass elements, always stick to the required clearance for the respective fitting. Adjust clearance so that the glass does not touch hard components such as glass, metal or concrete.
8. Make sure not to use excessive force when installing the glass (avoid local stress resulting from very tight screws).

Maintenance

Check fittings at regular intervals for proper positioning and smooth running and door for correct adjustment. Especially highly-frequented door systems require inspection by properly qualified staff (specialised companies or installation firms). Immediately replace damaged glass elements (no glass flaking and/or conchoidal fractures)!



DORMA GmbH+Co. KG
DORMA Platz 1
58256 ENNEPETAL
GERMANY
Phone +49 2333 793-0
Fax +49 2333 793-4950
www.dorma.com

DORMA-Glas GmbH
Max-Planck-Straße 33-45
32107 BAD SALZUFLEN
GERMANY
Phone +49 5222 924-100
Fax +49 5222 924-3100
www.dorma.com