



## TS 77

### Door closer

The TS 77 is a basic entry level door closer in a classic yesteryear styled body. An ideal door closer for standard doors when an economical solution is required.

The TS 77 door closer is very quick and easy to install. With a selection of fixed strengths for various door widths and an optional back check function the hardest task is selecting the right choice of closer model suitable for your budget project.

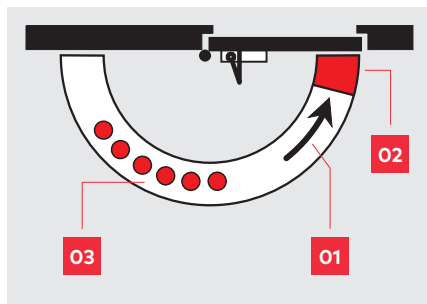
#### Advantages at a glance:

- The economical solution for standard doors.
- Non-handed, suitable for standard, parallel arm and frame installation.
- Fully controlled closing cycle.
- Backcheck version available for door and wall protection.
- Choice of three strengths
- Door widths up to 1100 mm
- Non back check & back check models
- Optional hold open function
- Outstanding value for money

# Specifications

Data and features		TS 77		
	Size	EN 2	EN 3	EN 4
Closing force				
Standard doors	≤ 850 mm	●	-	
	≤ 950 mm	-	●	-
	≤ 1100 mm	-		●
External doors, outward opening		-	-	-
Non-handed		●	●	●
Arm type standard scissor arm		●	●	●
Closing force variable at adjustment screw		-	-	-
Closing speed variable by valve adjustment		●	●	●
Backcheck		○	○	○
Delayed action		-	-	-
Hold-open		○	○	○
Weight in kg		1.7	1.7	1.7
Dimensions in mm	Length	180		
	Overall depth	65		
	Height	43		

● yes    - no    ○ option



**Example: left-hand (ISO 6) door, pull side fixing**

- O1** Fully controlled closing with adjustable speed between 180° - 20°.
- O2** Adjustable latching action between 20° and 0°.
- O3** Hold-open range if equipped with hold-open arm (optional extra).

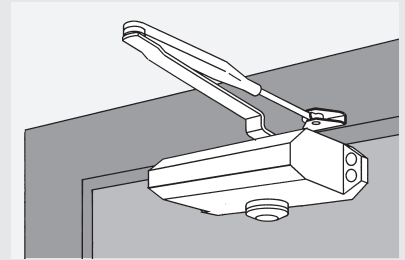
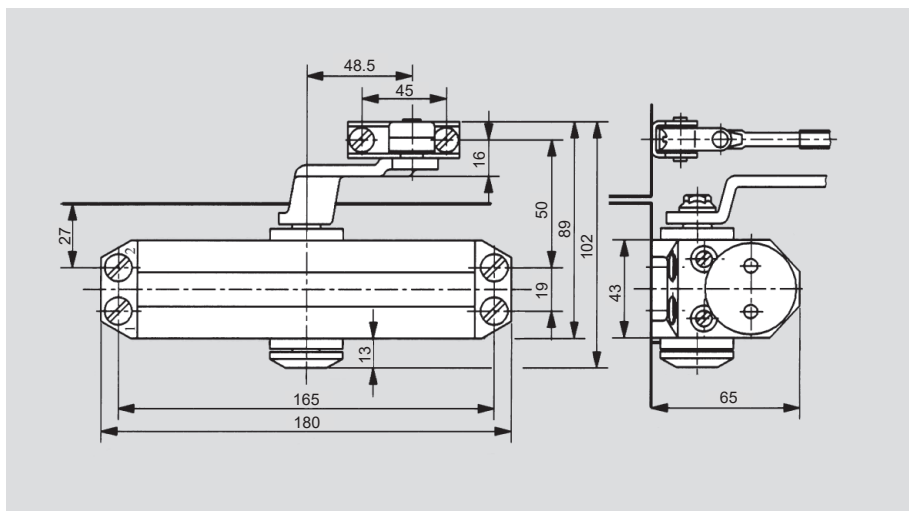
Rack-and-pinion door closer with hydraulic fully controlled closing cycle, non-handed.

**Make**  
dormakaba **TS 77**

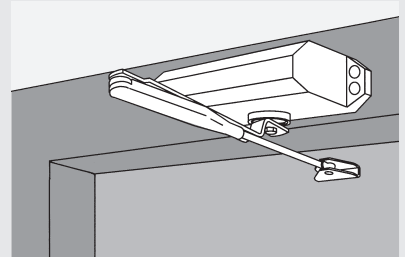
- Model**
- Size 2
  - Size 3
  - Size 4
  - With hold-open arm
  - Accessories

**Colour**

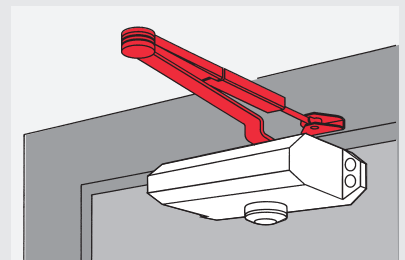
- Silver



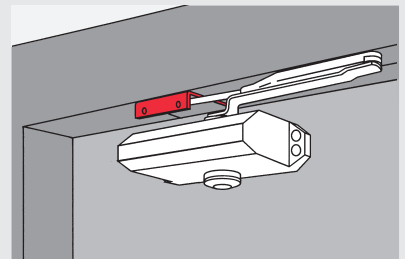
**On the pull side**  
Door leaf fixing (standard)



**On the push side**  
Transom fixing (Overhead installation)



**With hold-open arm**  
For temporary door hold-open (optional extra)



**Parallel arm**  
For parallel arm assembly (For installation dimensions, See fixing instructions)

**dormakaba Australia**  
Head Office  
12-13 Dansu Court  
Hallam VIC 3803  
T 1800 675 411  
info.au@dormakaba.com  
www.dormakaba.com.au

**dormakaba New Zealand**  
Head Office  
Building P, 61-69 Patiki Road  
Avondale, Auckland 1026  
T: 0800 436 762  
info.nz@dormakaba.com  
www.dormakaba.co.nz