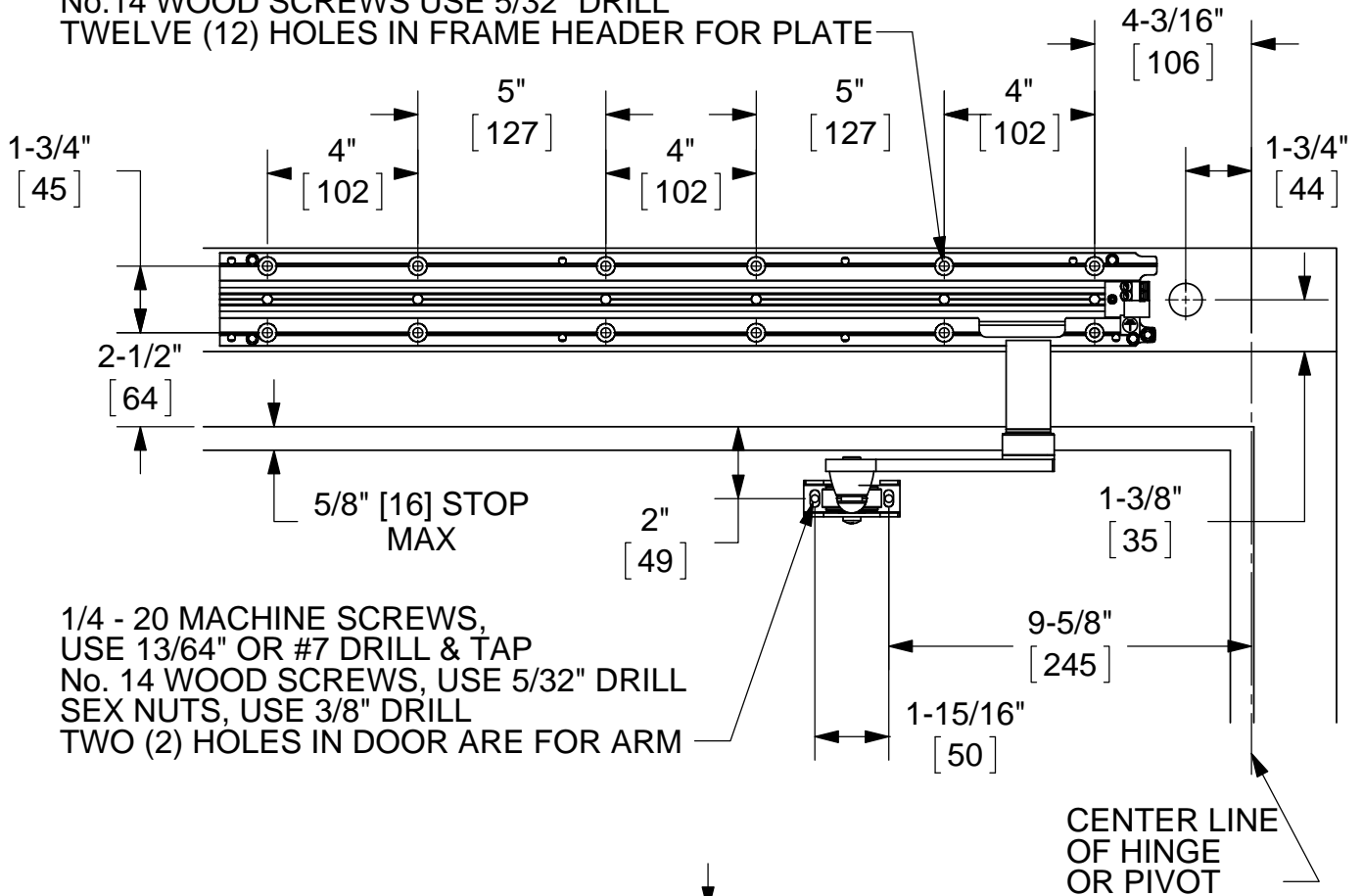
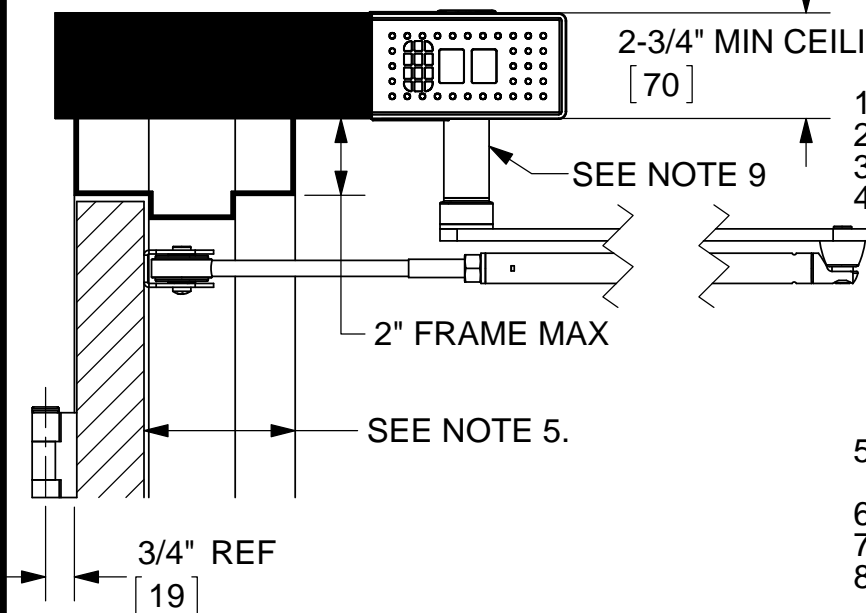


PART NO. 08281710 INS, ED900 J ABOVE FRAME

1/4-20 MACHINE SCREWS USE 7/32" DRILL & TAP
 No.14 WOOD SCREWS USE 5/32" DRILL
 TWELVE (12) HOLES IN FRAME HEADER FOR PLATE



1/4 - 20 MACHINE SCREWS,
 USE 13/64" OR #7 DRILL & TAP
 No. 14 WOOD SCREWS, USE 5/32" DRILL
 SEX NUTS, USE 3/8" DRILL
 TWO (2) HOLES IN DOOR ARE FOR ARM



1. DRAWING IS NOT TO SCALE
2. DIMENSIONS ARE IN INCHES/(mm)
3. RIGHT HAND DOOR SHOWN
4. CAUTION: SEX NUTS ARE REQUIRED FOR ATTACHMENT OF COMPONENTS TO UNREINFORCED DOORS AND TO WOOD OR PLASTIC FACED COMPOSITE TYPE FIRE DOORS, UNLESS AN ALTERNATIVE METHOD IS IDENTIFIED IN THE INDIVIDUAL DOOR MANUFACTURER'S LISTINGS
5. TEMPLATE IS FOR 4-1/2 X 4-1/2 BUTT HINGES & 3/4" OFFSET PIVOTS
6. MAXIMUM DEGREE OF OPENING 110
7. MIN DOOR WIDTH 28"
8. DOORS AND FRAMES MUST BE PROPERLY REINFORCE TO WITHSTAND THE OPERATING FORCES OF A LOW ENERGY OPERATOR
9. SHOWN WITH THE STANDARD 60mm AXLE EXTENSION AND 5/8" STOP
10. REVEAL DEPTHS J8 = 8" MAX
 J12 = 12" MAX

ED900 J
 JAMB ARM INSTALLATION - PUSH SIDE MOUNT
 ABOVE 2" FRAME FACE - REVEAL DEPTH 0-12"



DORMA USA, Inc.
 Dorma Drive
 Reamstown, PA 17567