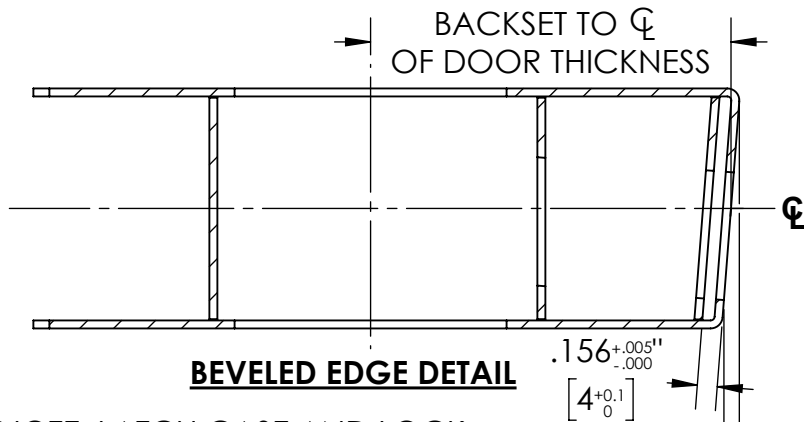
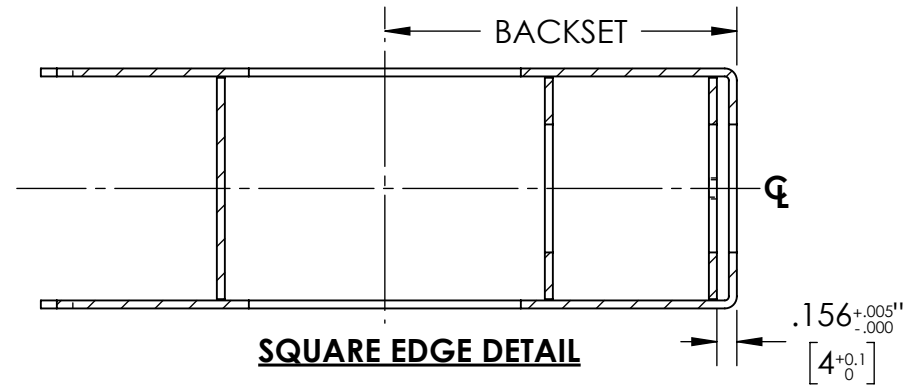


- NOTES:**
1. DRAWING IS NOT TO SCALE.
 2. DIMENSIONS ARE IN INCHES/[MM].

WOOD DOORS FOR:
T910, T925, T940
FACE PLATE 1" FLAT OR BEVELED
RADIUS CORNERS

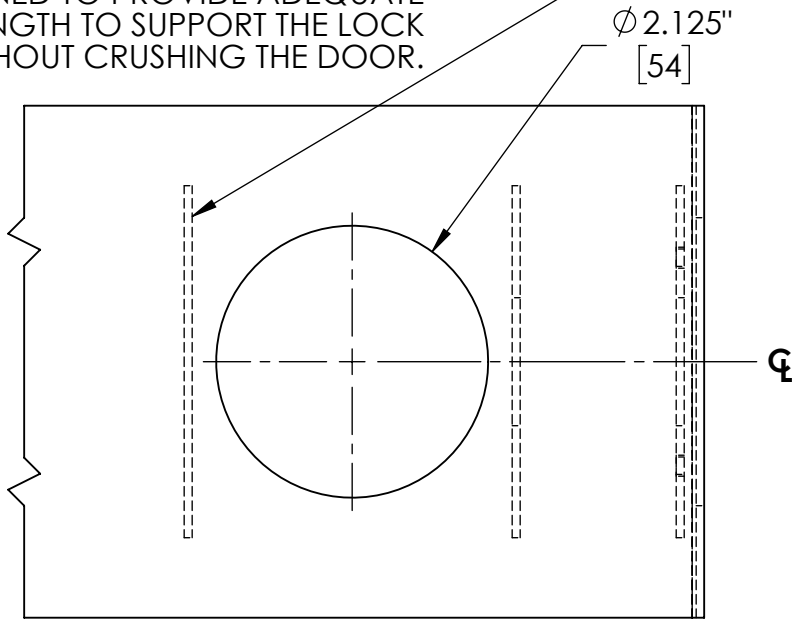


BEVELED EDGE DETAIL

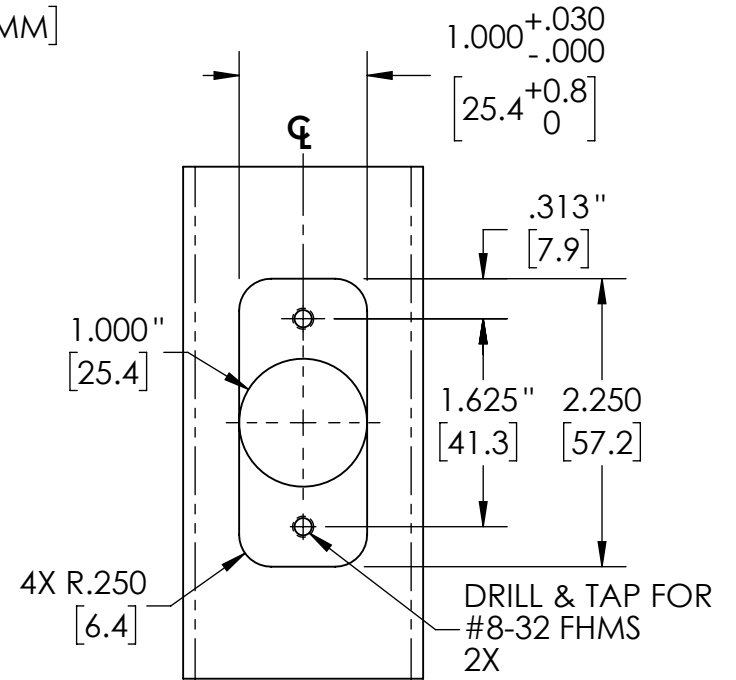


SQUARE EDGE DETAIL

NOTE: LATCH CASE AND LOCK CHASSIS SUPPORTS MUST BE DESIGNED TO PROVIDE ADEQUATE STRENGTH TO SUPPORT THE LOCK WITHOUT CRUSHING THE DOOR.



DOOR FACE DETAIL



DOOR EDGE DETAIL

NOTES:

1. DRAWING IS NOT TO SCALE.
2. DIMENSIONS ARE IN INCHES/[MM].

METAL DOORS FOR:
 T910, T925, T940
 FACE PLATE 1" FLAT OR BEVELED
 RADIUS CORNERS



DORMA USA, INC.
 DORMA DRIVE
 REAMSTOWN,
 PA 17567
 800 523 8483