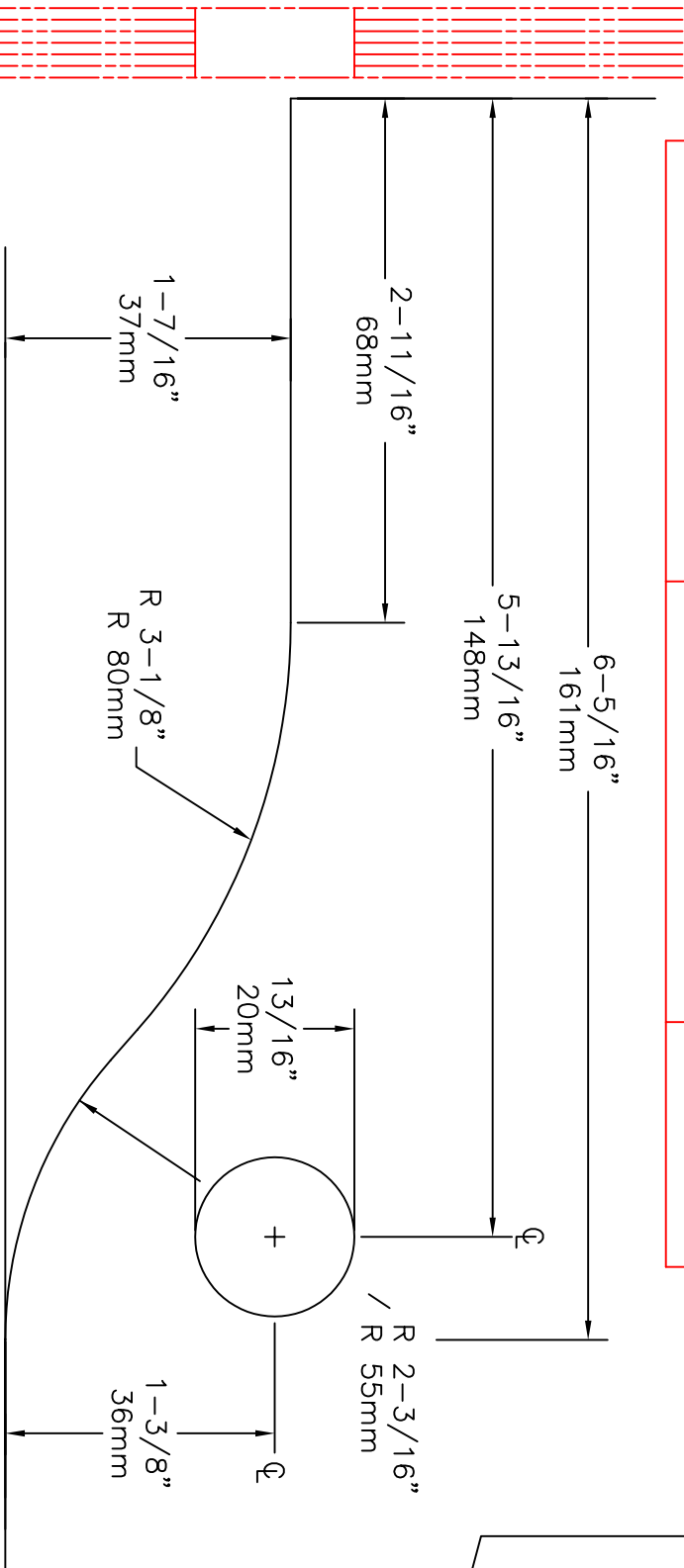
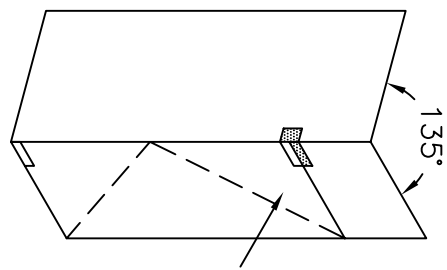




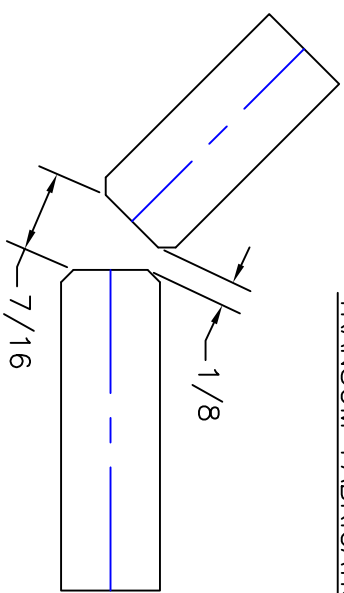
GLASS FABRICATION DETAIL

NEW ITEM NO.	OLD ARTICLE NO.	PT. NO.
903-329 SHOWN	(7 317.4)	42 (135°)
903-330	(7 317.4)	42 (135°)



SIDELITE

TRANSOM FABRICATION



TO BE USED WITH 1SE-GS28

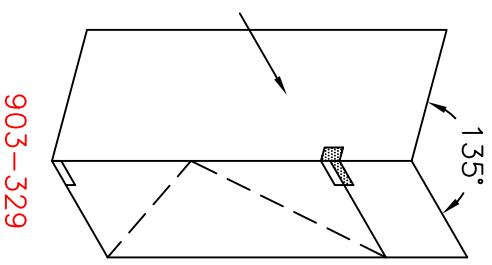
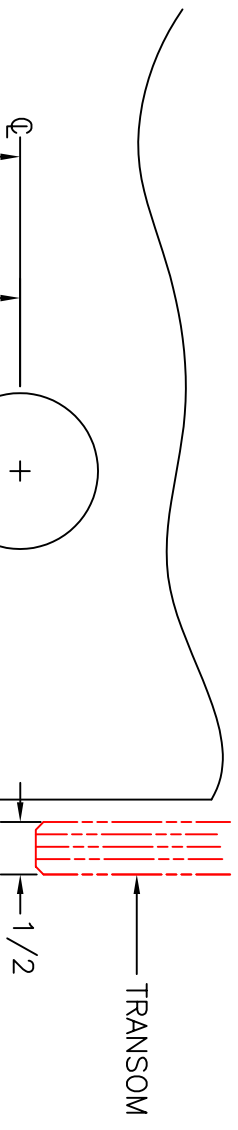
FOR USE WITH NON-MITERED GLASS EDGES

REF: 1SE-GS27	Date	Revision
SCALE: FULL		
DATE: 10/9/01		

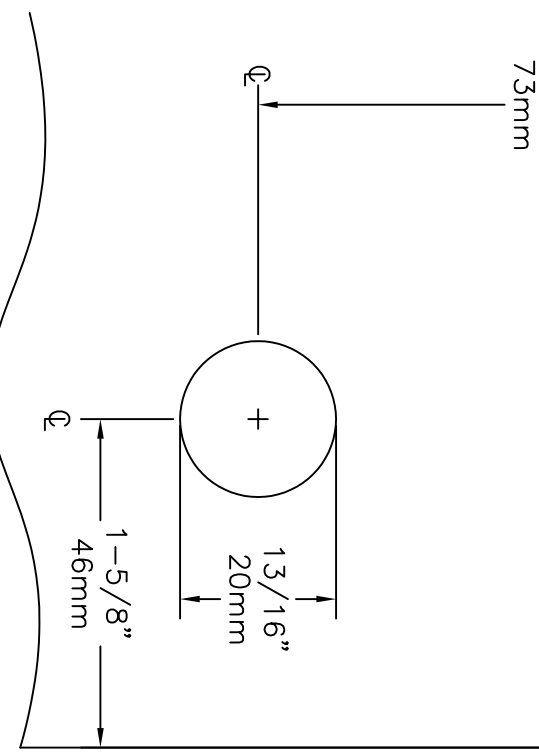
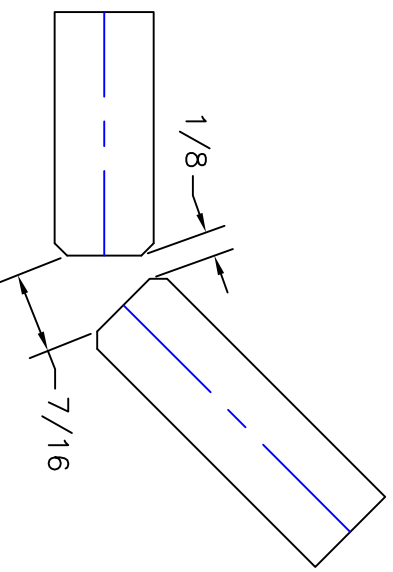


GLASS FABRICATION DETAIL

NEW ITEM NO.	OLD ARTICLE NO.	PT. NO.
903-329 SHOWN	(7 317.4)	42 (135°)
903-330	(7 317.4)	42 (135°)



BOTTOM OF TRANSOM



FOR USE WITH NON-MITERED GLASS EDGES

TO BE USED WITH 1SE-GS27

SIDELITE FABRICATION

REF.: 1SE-GS28	Date	Revision
SCALE: FULL		
DATE: 10/9/01		