

BTS75V, BTS75V BF

Installation instructions

08076340 – 02-2020

| EN |

dormakaba 

Table of contents

1	Installation	3
1.1	Attach spindle and install closer	3
1.2	Install door	3
2	Templates	4
2.1	Closer template	4
3	Adjustments	5
3.1	Adjust bottom door clearances (if necessary)	5
3.2	Adjust closing speeds	5
3.3	Adjust spring tension (if necessary)	6
3.4	Sealing compound (optional)	6
4	Covers	6
4.1	Install cover	6

1 Installation

1.1 Attach spindle and install closer

Fig.1

1.1.1 Slide washer over tapered square end of spindle until fully seated in groove.

1.1.2 Fasten spindle with spindle screw provided.

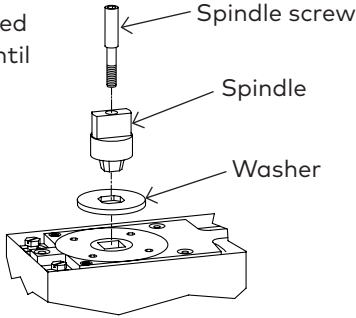
1.1.3 Tighten securely with 5mm hex key.

**CRITICAL:
WASHER MUST BE
INSTALLED**

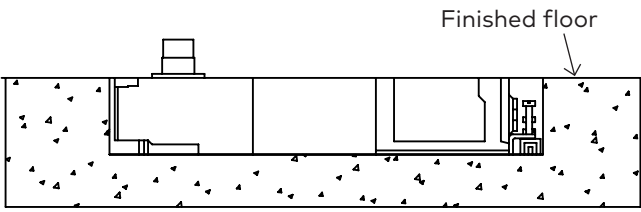
1.1.4 Center closer in cement case.

1.1.5 Tighten fastening screws.

1.1.6 Install door.




Spindle screw
Spindle
Washer



Finished floor

NOTE: Top of cement case must be flush with finished floor.
NOTE: Cement case must be level and installed parallel to frame.
NOTE: Spindle center line must be accurately located.
NOTE: Grout cement case in place.



Fastening screws

1.2 Install door

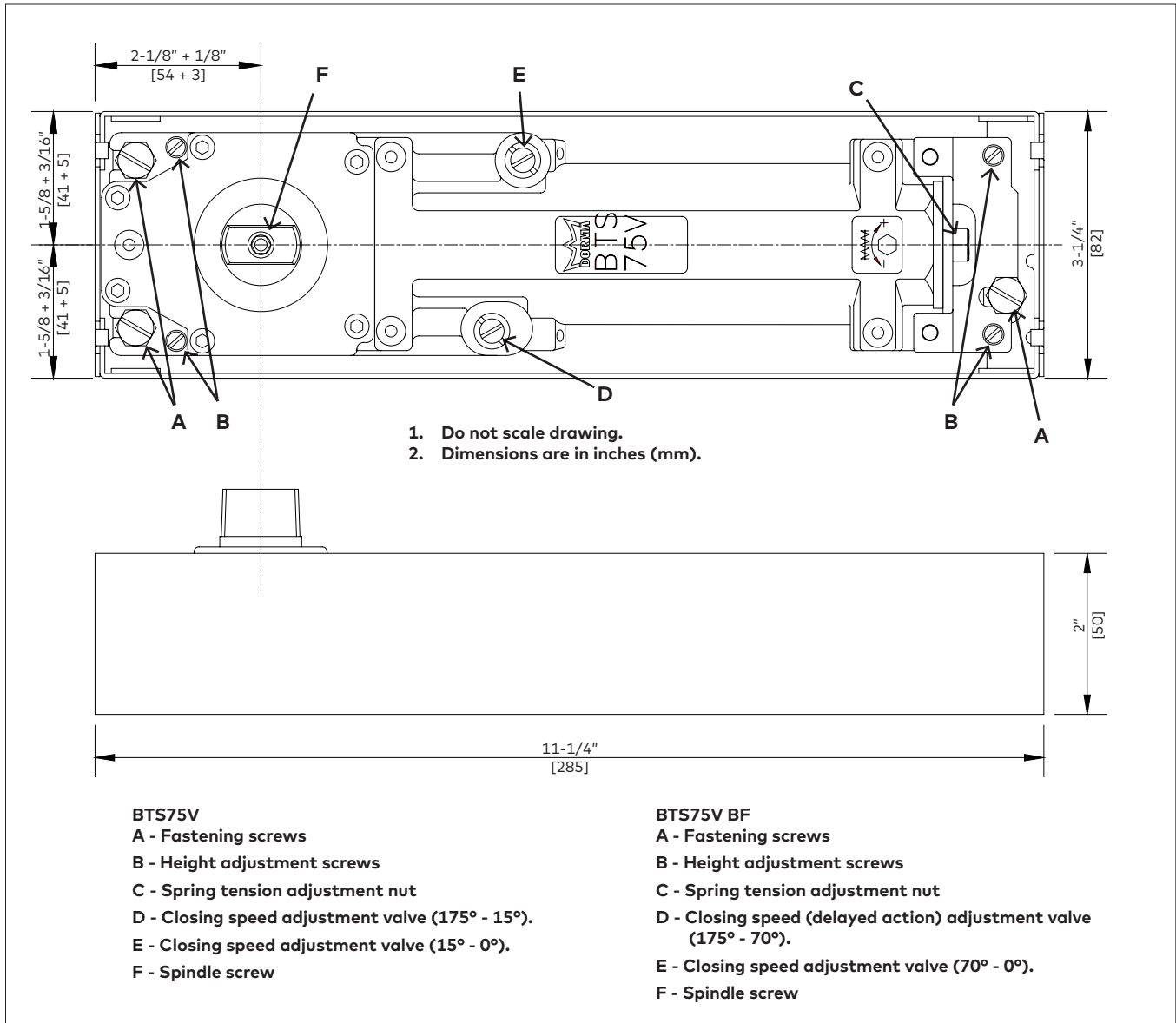
Fig.2

1.1.1 Reinstall door, then proceed to section 3.

2 Templates

2.1 Closer template

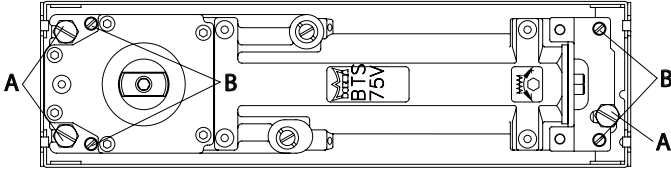
Fig.3



3 Adjustments

3.1 Adjust bottom door clearances (if necessary)

Fig.4



3.1.1 Closer can be raised approximately 5/32" with the cement case.

3.1.2 Loosen fastening screws "A".

3.1.3 Turn height adjustment screws "B" CW until desired height is obtained.

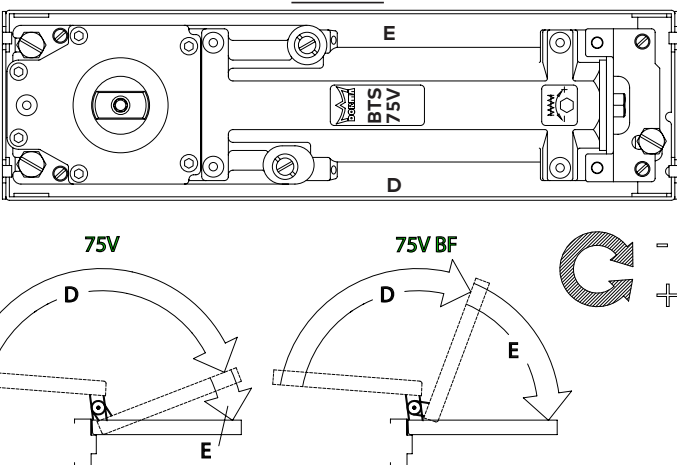
NOTE: Closer must remain level!

3.1.4 Re-tighten fastening screws "A".

3.1.5 If more clearance is necessary, change spindle to appropriate size.

3.2 Adjust closing speeds

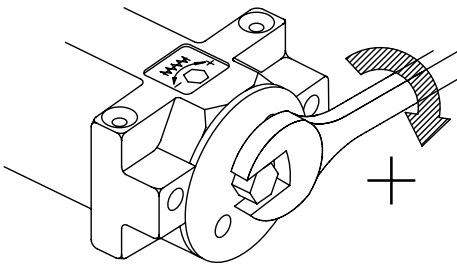
Fig.5



Valve "D"	Controls closing speed from 175°-15°. (Opening conditions may limit maximum opening.)
Valve "E"	Controls closing speed from approximately 15°-0°
Valve "D" barrier free (BF)	Controls closing speed from 175°-70°. (Opening conditions may limit maximum opening.)
Valve "E" barrier free (BF)	Controls closing speed from approximately 70°-0°
Delayed action	Turn valve "D" until desired delay time is obtained.
Hold open	Mechanical hold open is available at 90° or 105° as an option when ordering the closer.

3.3 Adjust spring tension (if necessary)

Fig.6



BTS75VBF	Adjust only if more spring tension is required to positively close and latch the door. Depending on opening conditions, a door adjusted to meet barrier-free forces may not have sufficient power to reliably closer and latch the door.
BS75V	Adjust according to chart.

Spring tension			
	Door width		Full turns
	Interior	Exterior	
BTS75V	2'-6" [762]	---	+3
	3' [914]	2'-6" [762]	+6
	3'-6" [1067]	3' [914]	+10

NOTE: Max 12 turns from minimum setting.

3.4 Sealing compound (optional)

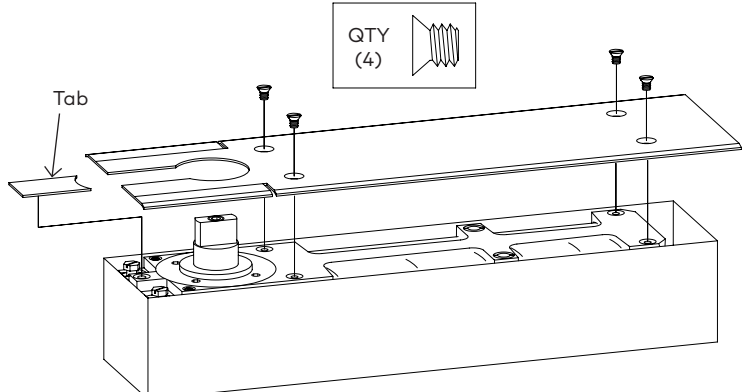
Fig.7

Sealing compound is recommended for exterior doors or areas with excessive moisture. Make all final adjustments before adding compound. Refer to instructions packed with compound for full details.

4 Covers

4.1 Install cover

Fig.8



- 4.1.1 Install cover plate or threshold.
- 4.1.2 Trim cover plate as required to match profile of pivot jamb.
- 4.1.3 Install cover plate with four screws provided.
- 4.1.4 Press tab in place behind spindle.
- 4.1.5 If threshold is installed, do not anchor threshold to closer body, since closer is adjustable within cement case.

