

E-Plex® SAC Specifications

E-Plex® 5070/5270/5670/5770 Stand-Alone Access Controller

FEATURES

Access Control: Electronic PIN/Card solution for dual-swing doors, parking gates, glass doors, etc., featuring online-type functionality in a stand-alone, easy-to-install reader housing with keypad eliminates problems and costs associated with issuing, controlling, and collecting keys. Provides exterior access control for multiple users using specific PINs (Personal Identification Numbers)—**E-Plex 5070 and 5270** and/or Cards (PROX—**E-Plex 5770** or DESFire®, MIFARE® and iCLASS®— **E-Plex 5670**).

Number of Users:

- E-Plex 5070**—100 Access Codes; upgrades to 300 Access Codes with *optional* software
- E-Plex 5270**—3,000 Access Codes with *required* software
- E-Plex 5670 and 5770**—3,000 Access Users; (300 using LearnLok™ feature)

Programming:

- E-Plex 5070**—Readers are programmed via keypad or with *optional* Microsoft® Excel®-based software—Simplifies management of doors and users as facility's number of users and access points grow.
- E-Plex 5270**—Readers are programmed via *required* E-Plex Enterprise Software (not included)—provides easy management of doors and users. Upgradeable to wireless.
- E-Plex 5670 and 5770**—Readers are programmed via keypad with LearnLok™ feature or via *optional* E-Plex Enterprise software (not included)—provides easy management of doors and users. Upgradeable to wireless.

Scheduling: E-Plex 5270, 5670, and 5770 Access Schedules—Up to 16 different access schedules may be programmed into reader. **Holiday/Vacation**—Up to 32 different holiday/vacation blocks may be programmed into reader.

Operation Modes:

- Access (via Credential)
- Lockout
- Passage—can be toggled on/off or preprogrammed to re-lock manually or via software
- Scheduled Access (5270, 5670, and 5770)

Authority Levels:

- E-Plex 5070**—Five different levels allow who has access to specific lock functions, including: Service Level—programmed for one-time access or "come and go" access for 1 to 24 hours
- E-Plex 5270, 5670 and 5770**—Six different levels allow who has access to specific lock functions, including service codes from single event up to four-day access, programmable in advance

User Parameters:

- Code length**—Adjustable to accept 4 to 8 digits
- Anti-tamper lockout**—Adjustable from 3 to 9 invalid attempts with an adjustable period of 0 to 90 seconds
- Re-lock time**—Adjustable from 2 to 20 seconds

Power: Requires 12-24 VDC regulated power input from standard, off-the-shelf regulated power supplies. If power is lost, user data and lock parameters are retained in on-board memory. Power supply must have battery backup.



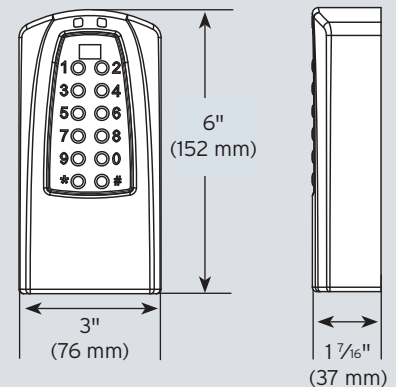
5670

5070/5270

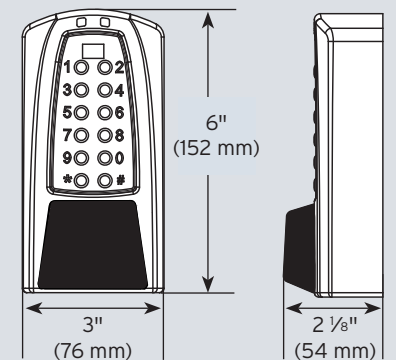
5770

Dimensions

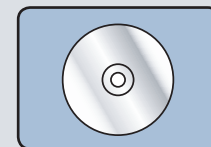
E-Plex 5070/5270



E-Plex 5670/5770



Optional Feature



• PC Software

FEATURES (CONTINUED)

Ease of Installation: Simple, easy-to-install reader unit is pre-drilled for single gang box or wall mounting. Lockable Power Interface Unit (PIU) enclosure is pre-drilled and has knockouts for simple wiring with low voltage connections directly into off-the-shelf power supplies. Product also includes dry contacts (contact closure and alarm shunt) to interface with new or existing fire alarms and security systems

Items Supplied Include: Installation manual, quick reference guide, operations manual, full-scale template, and required installation hardware

MECHANICAL FEATURES

Construction: Solid cast housing

Numeric Keypad: Vandal resistant, solid metal pushbuttons

Weight: 5.26 lbs. (2.38 kg)

ELECTRONIC FEATURES

Vandal Resistance: Exclusive tamper-switch circuitry in reader housing prevents unauthorized access if unit is attacked or removed from mounting plate. If tamper is detected, the reader unit emits constant bright blue lights and all internal wire other than power become passive until unit is reset. Once reader unit is reinstalled and/or remotely reset, credential access is restored

Indicators: Audible and visual indicators; visual tamper indicator

Audit Capability:

- E-Plex 5070**—9,000 events with optional software
- E-Plex 5270**—30,000 events with *required* software
- E-Plex 5670 and 5770**—30,000 Events with optional software

Access Schedule: E-Plex 5270, 5670, and 5770—Up to 32 holiday and vacation blocks and 16 access schedules

Environmental Operating Range: -31 °F (-35 °C) to 151 °F (66 °C)

Power Input: 25 VDC max regulated into Power Interface Unit (PIU)

WARRANTY

Warranty: Three-year warranty from date of installation; built-in warranty counter in memory

AVAILABLE FINISHES

Standard Finishes:

Satin Chrome 626 (26D), Black 676 housings with Satin Chrome 626 (26D) Levers and Accents

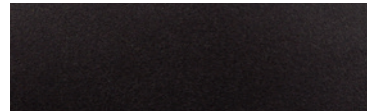
Optional Finishes:

Bright Brass 605 (03), Satin Brass 606 (04), Bright Chrome 625 (026), and Dark Bronze 744 with Brass Accents

Standard Finishes



Satin Chrome



Black

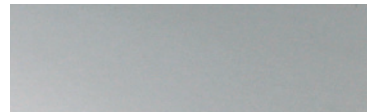
Optional Finishes



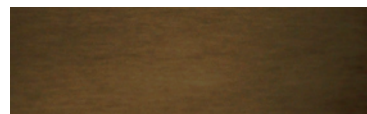
Bright Brass



Satin Brass



Bright Chrome



Dark Bronze

Disclaimer: While reasonable efforts were made to ensure the accuracy of this document at the time of printing, Kaba assumes no liability for any errors or omissions. This information is subject to be revised without notice, and changes may be incorporated in future releases

Copyright © 2014 Kaba Access & Data Systems Americas. All rights reserved.

KAA1174 0214

Kaba Access & Data Systems Americas

2941 Indiana Avenue
 Winston-Salem, NC 27105
 Tel: 1-800-849-8324

www.kaba-adsamericas.com