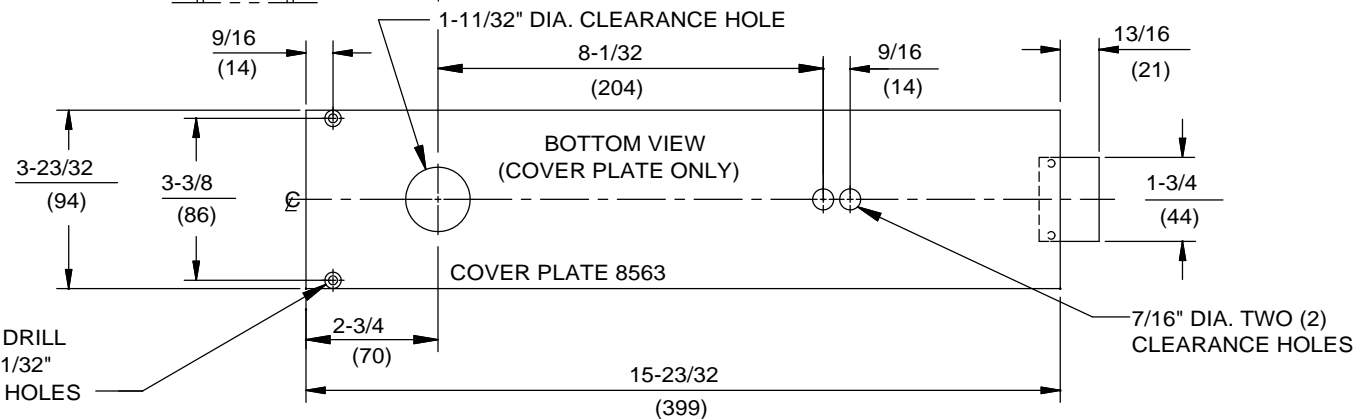
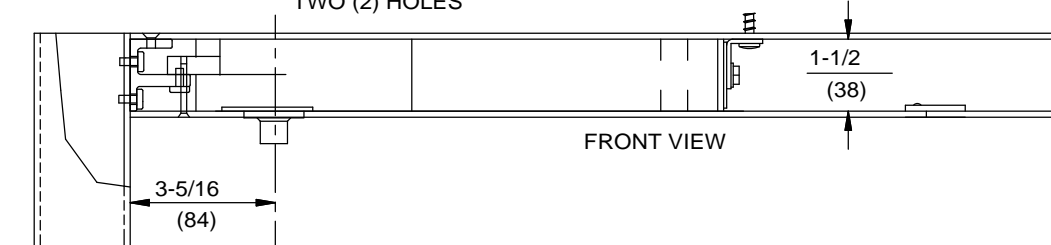
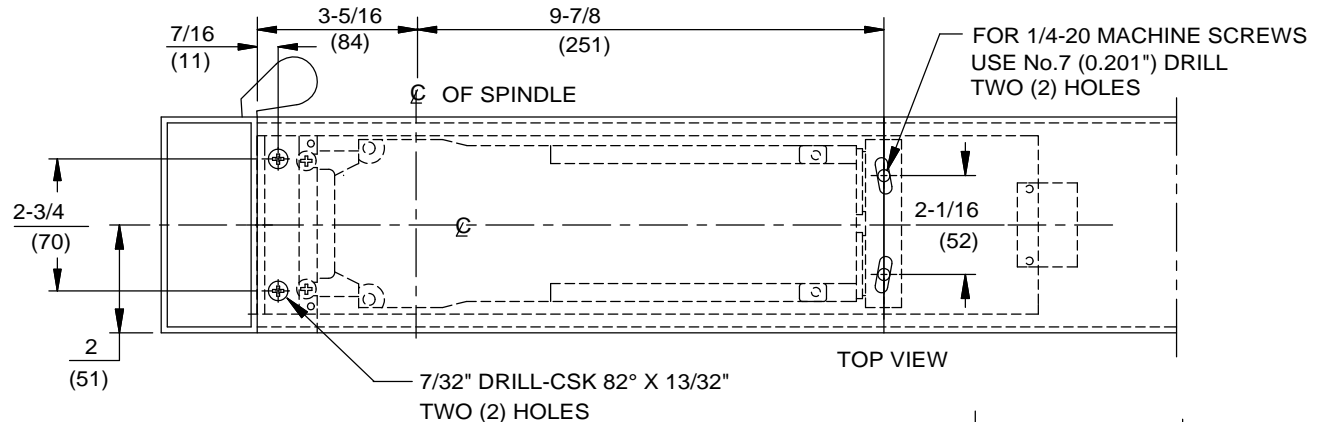
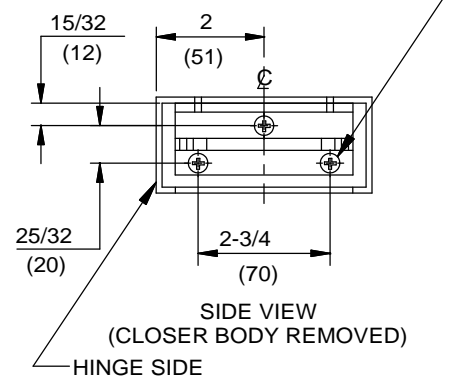


NOTE:

1. DO NOT SCALE DRAWING.
2. DIMENSIONS ARE IN INCHES (MM).
3. MINIMUM HEADER SIZE 1-3/4" X 4".
4. CUT OUT FOR COVER PLATE 3-3/4" X 15-3/4".
5. CLEARANCE BETWEEN HEADER AND DOOR 1/8".
6. 90° HO MODELS NOMINAL HOLD OPEN AT 89°  
105° HO MODELS NOMINAL HOLD OPEN AT 108°.
7. AUXILIARY STOP REQUIRED COINCIDING WITH DEADSTOP ON RTS CLOSER.

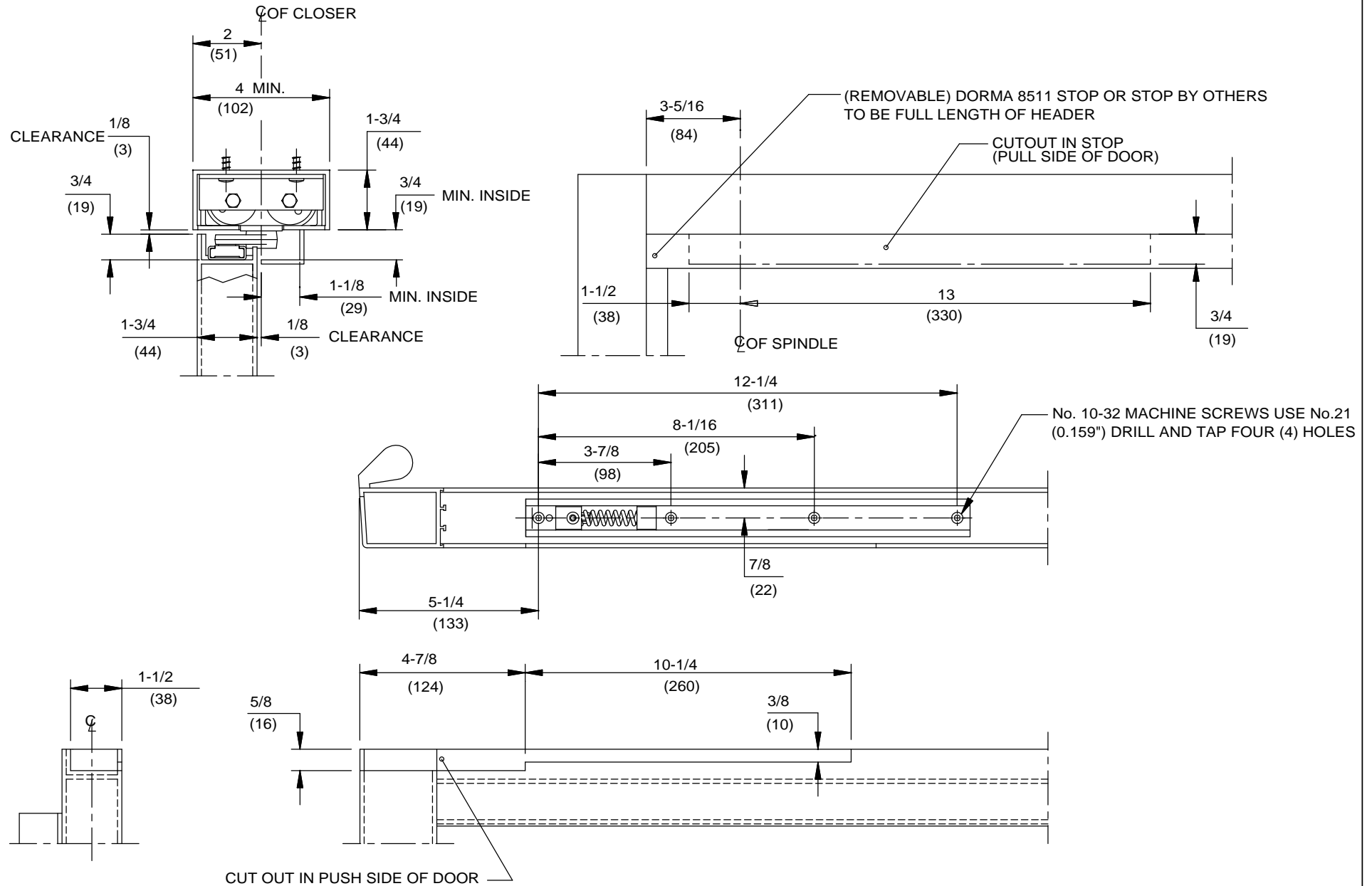
FOR 8-32 MACHINE SCREWS USE No.29 DRILL (0.136") DRILL AND TAP THREE (3) HOLES



DOOR CLOSER MODEL: RTS SERIES PACKAGE 26, ALUMINUM DOOR AND FRAME PREPARATION, No. 8812 TRACK ARM, No. 8563 COVER PLATE, DOOR HUNG ON 3/4" OFFSET PIVOTS



DORMA Door Controls  
Reamstown, PA 17567



DORMA Door Controls  
 Reamstown, PA 17567