

# 7-350110-NI

## High Security Key Switches



A High Security 2pole, 2 position changeover keyswitch with electrically isolated contacts (no links between terminals).

30 degree operating between 12 o'clock and 1 o'clock, with spring return from 1 o'clock to 12 o'clock.

The switch modules offer screw terminals as standard, and are bayonet mounted to the locking cylinder allowing easier/separate wiring.

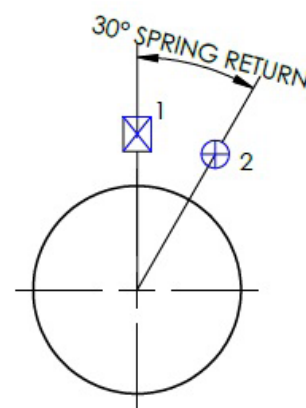
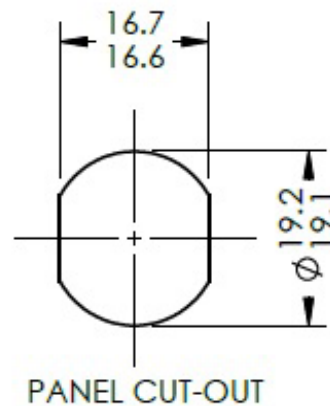
### Features:

The 7-350 high security keyswitch series uses the Kaba Quattro pluS modular core locking system to offer the highest level of security.

With a 22-pin lock mechanism, each key is unique in the world and the design of the key makes it virtually impossible to copy.

This concept of key security can be further enhanced by registering the keys with Kaba using the registration card supplied. Duplicates can then only be obtained by the registered authorised signatory.

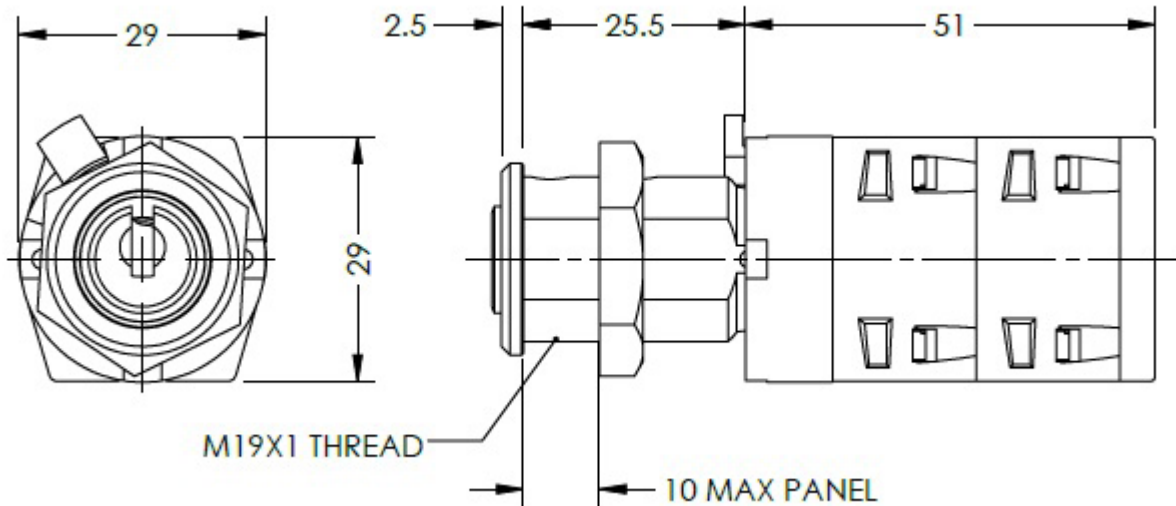
- This industry rated switch is suitable for heavy duty industrial applications which require a bespoke locking solution.
- The cylinder core is of a modular design allowing the core to be retrofitted on site as conditions and cylinder requirements change.
- Strong reversible nickel silver keys
- High security key registration
- 12 multi coloured key clips available for easy identification
- Available as standard differ, keyed alike or master keyed



KID157- KEY ENTRY/ WITHDRAWAL AT POSITION 1  
30° SPRING RETURN MOVEMENT TO POSITION 2.

Key switch end view

Key switch side view



Technical

7-350 Series

Contact rating, resistive load	24V DC = 10A 12V DC = 10A 440V AC = 10A (0.65 pf)
Minimum Volts/amps	20V/5 mA
Contact Material	Silver (Gold optional)
Mechanical Service Life	< 1,000,000 operations
Operating temperature range	Min air temperature 1) -25 °C = No excessive shock or vibration 2) - 5 °C = Normal use.  Max air temperature. For 100% thermal rating, Ith 1) + 55 °C (average over 24 hrs with peaks up to 60 °C)
Depth behind panel	76.5mm
Terminal type	Screw