

NOTE:
 1. SEE ADDITIONAL TRIM TEMPLATE WHEN REQUIRED.
 2. MOUNTING HOLES TO BE DRILLED WHEN INSTALLING HARDWARE.

REV. No. 2	REVISION: CHANGE DEMENSION	DATE: 8-1-00
------------	----------------------------	--------------

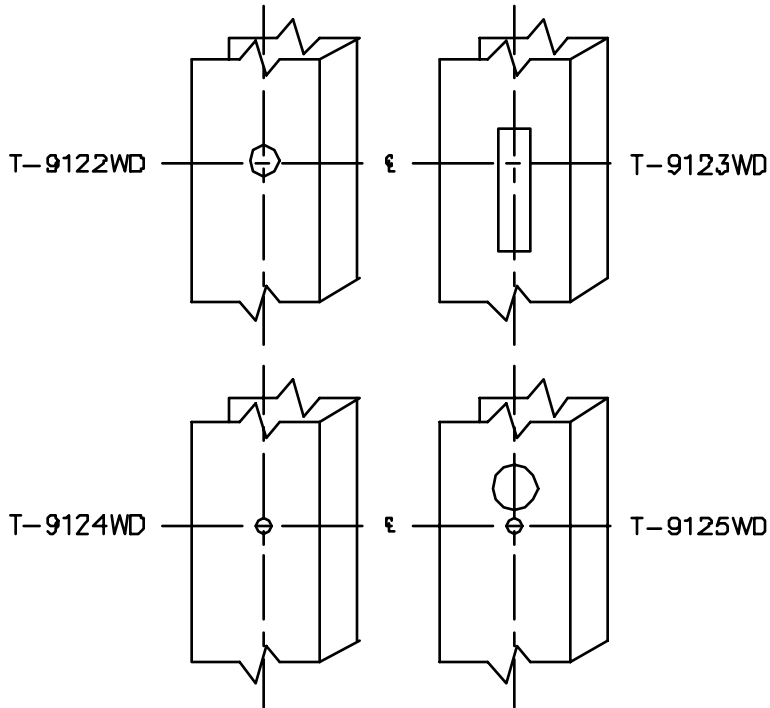


9100 & F9100
 CONCEALED VERTICAL ROD EXIT DEVICE
 WOOD DOOR ROUTING INSTRUCTIONS

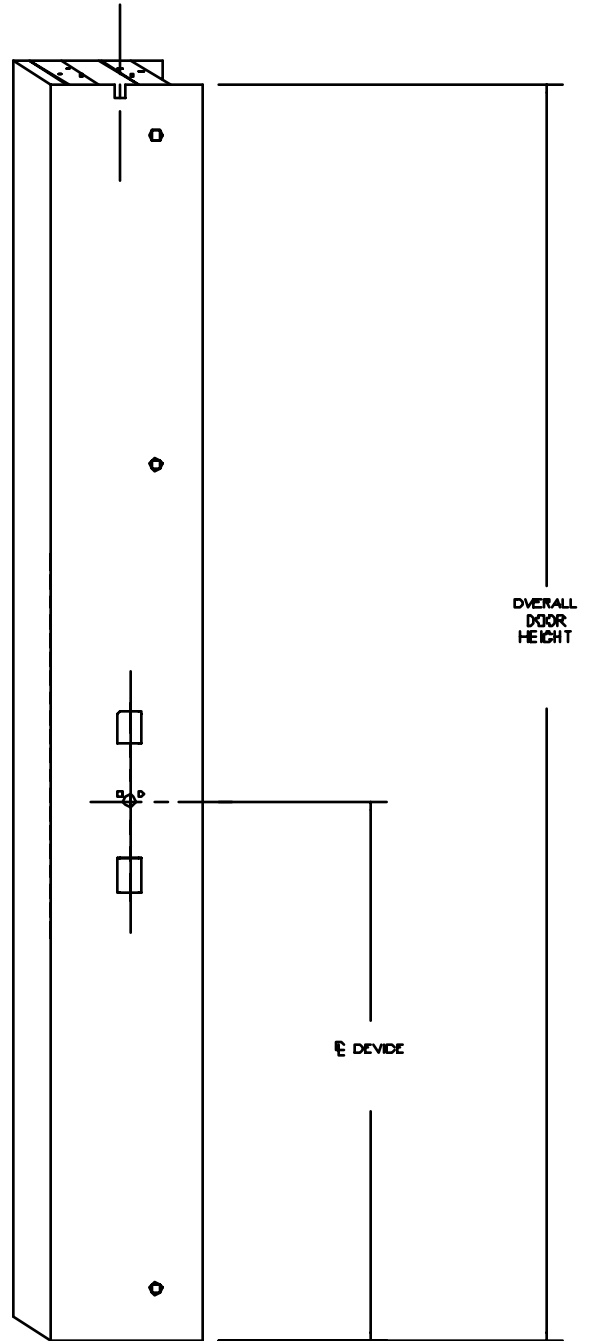
TEMPLATE NUMBER
 T-9118WD



LHRB SHOWN
RHRB OPPOSITE



ADDITIONAL PREP FOR
OPTIONAL OUTSIDE TRIM



NOTE:

1. SEE ADDITIONAL TRIM TEMPLATE WHEN REQUIRED.
2. MOUNTING HOLES TO BE DRILLED WHEN INSTALLING HARDWARE.

REV. No. 1

REVISION: ADD NEW BORDER

DATE: 4-25-00

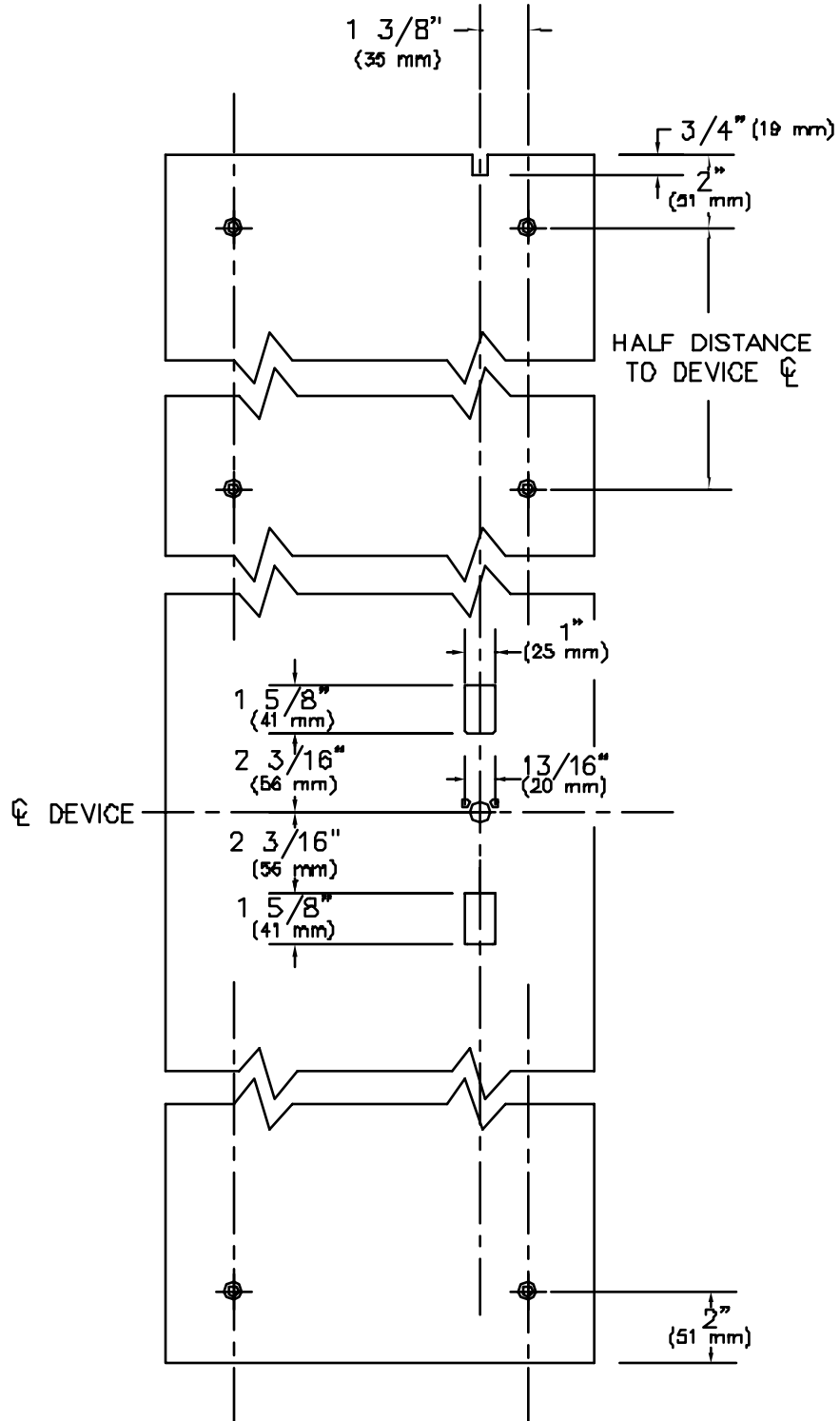


5" CHANNEL FIRE CHANNEL
F9100 SERIES
CONCEALED VERTICAL ROD
EXIT DEVICE FOR WOOD DOORS

TEMPLATE NUMBER
T-9119WD



LEFT HAND REVERSE SHOWN
RIGHT HAND REVERSE OPPOSITE



MATERIAL: 20 GA. E-GALV. STEEL

REV. No. 2

REVISION: CHANGE DEMENSION

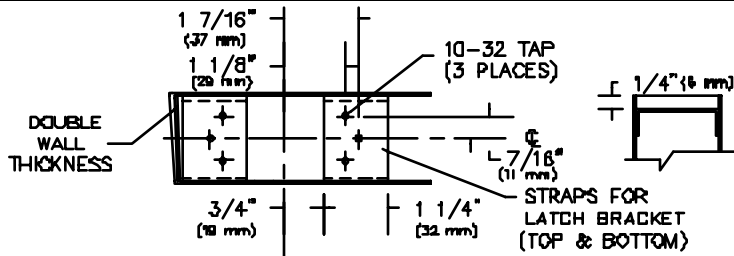
DATE: 8-1-00



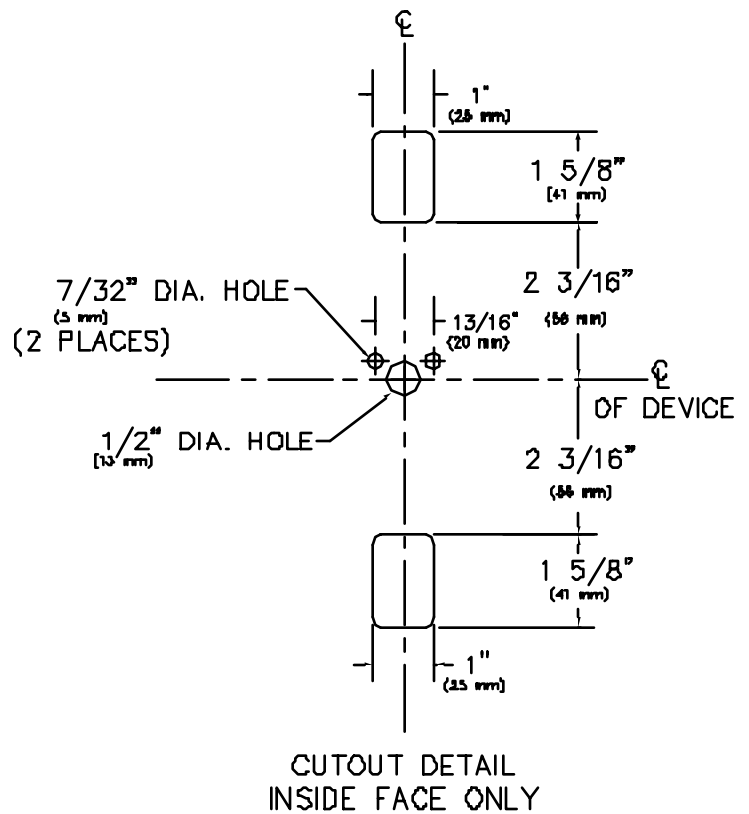
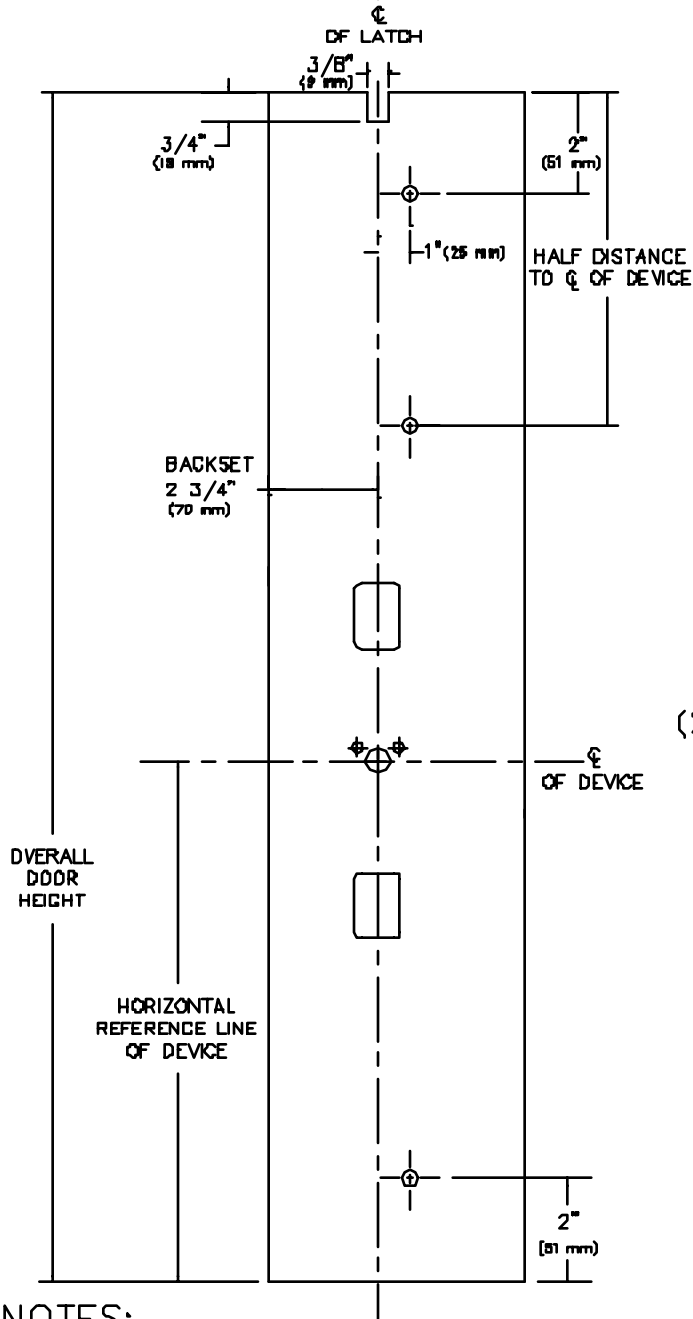
5" CHANNEL LAYOUT
F9100 SERIES CONCEALED
VERTICAL ROD TYPE EXIT DEVICE
FIRE RATED WOOD DOOR

TEMPLATE NUMBER
T-9120WD

②



LHRB SHOWN
RHRB OPPOSITE



NOTES:

1. SEE ADDITIONAL TRIM TEMPLATE WHEN REQUIRED.
2. MOUNTING HOLES TO BE DRILLED WHEN INSTALLING HARDWARE.

MATERIAL: 20 GA. E-GALV. STEEL

REV. No. 2	REVISION: CHANGE DEMENSION	DATE: 8-1-00
------------	----------------------------	--------------



5" CHANNEL FOR
FIRE RATED F9100 SERIES
CONCEALED VERTICAL ROD
EXIT DEVICE ON WOOD DOOR

TEMPLATE NUMBER
T-9121WD

