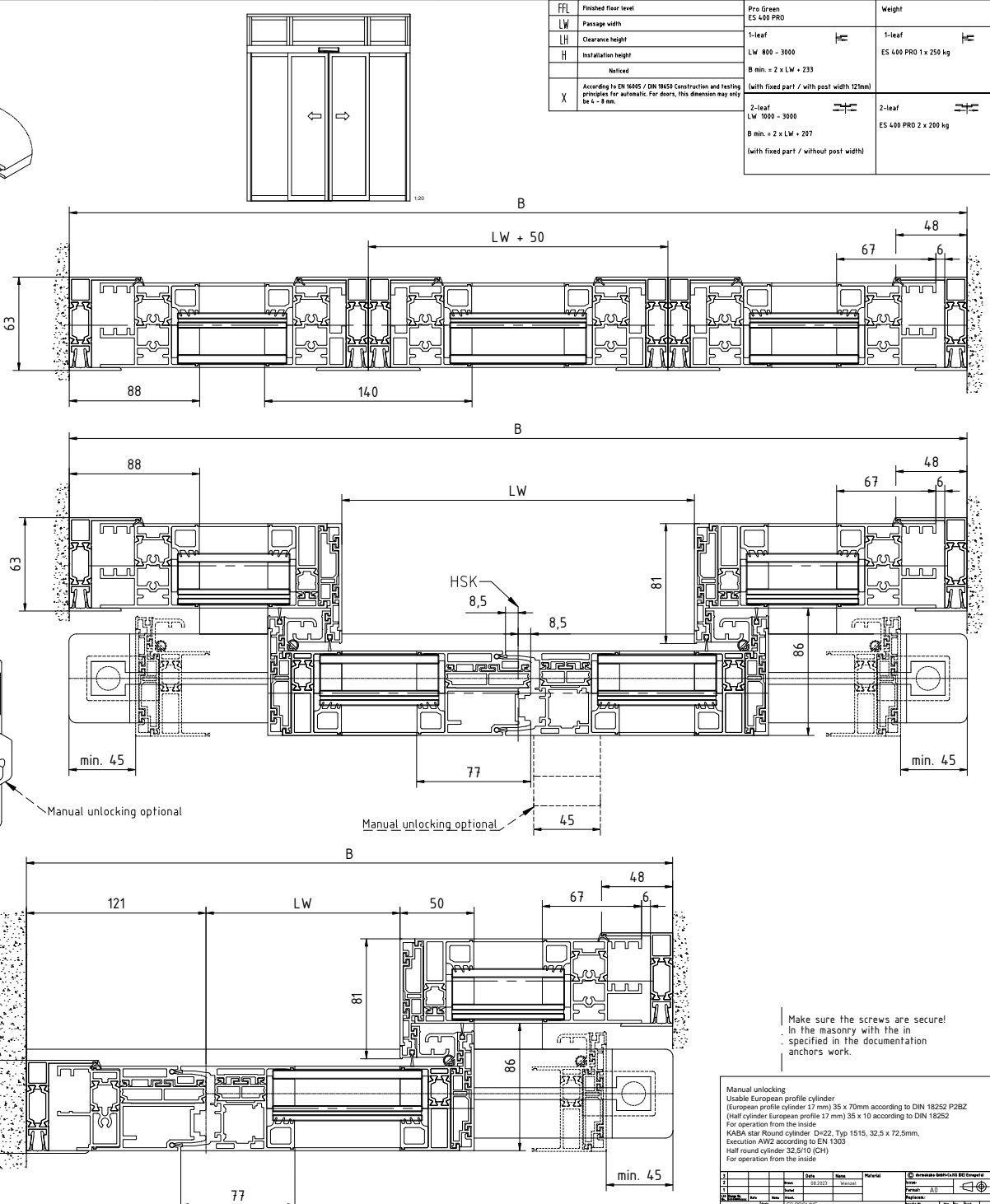
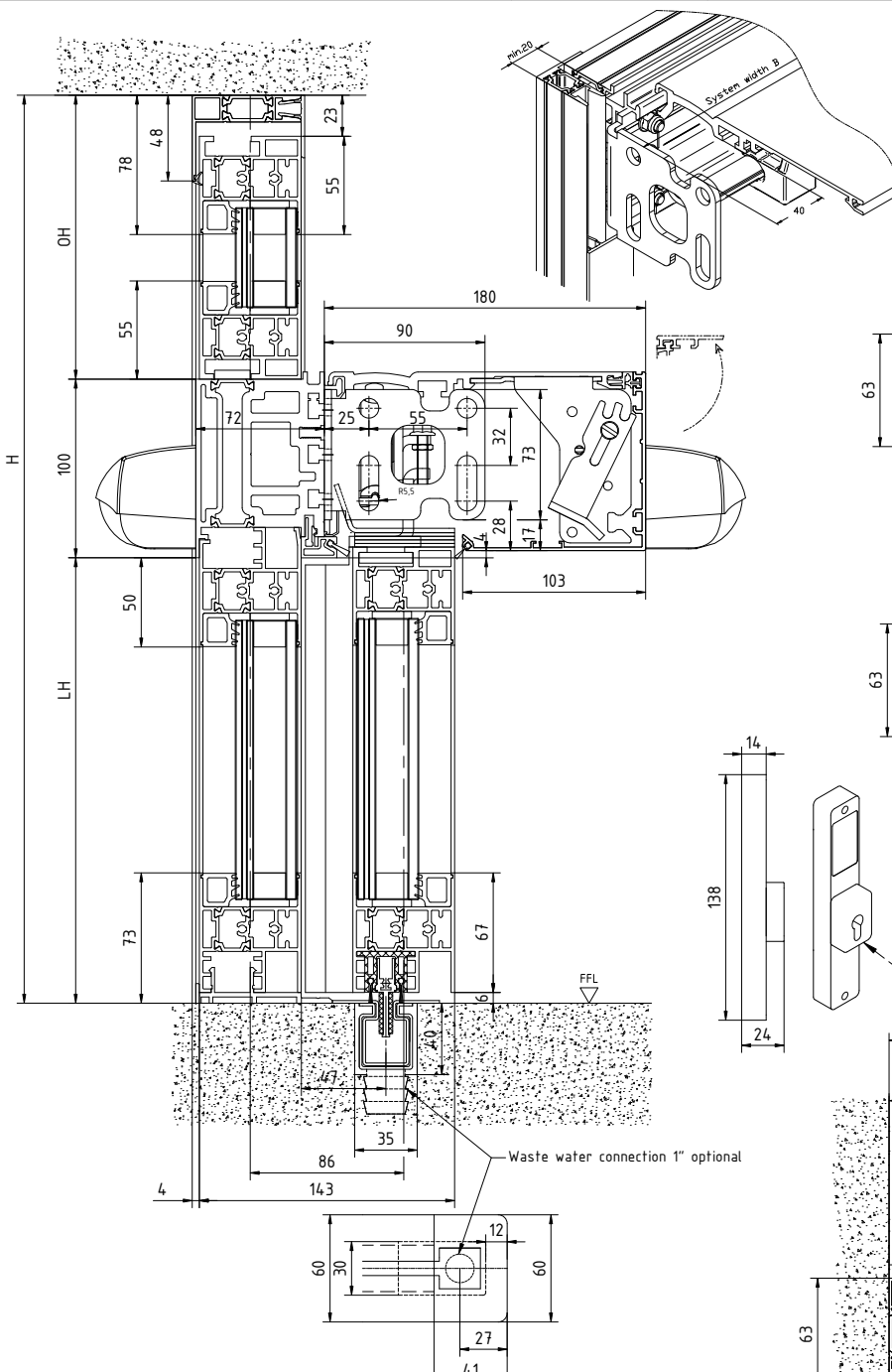


Technische Zeichnung / Technical Drawing
 2D-Zeichnung / 2D Drawing
 1:1
 2017-11-10 10:00 AM
 DWG: 257836-00-6-60



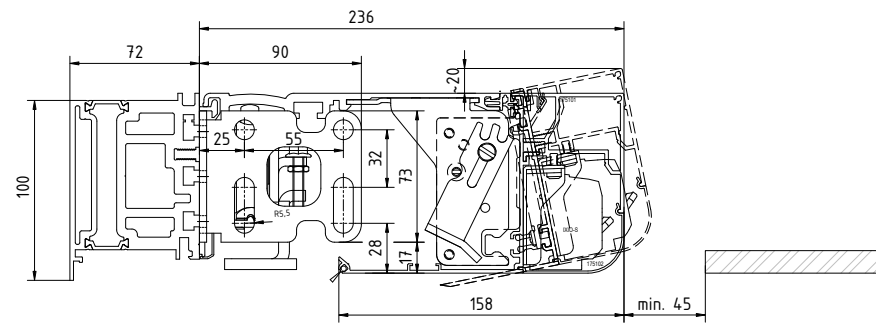
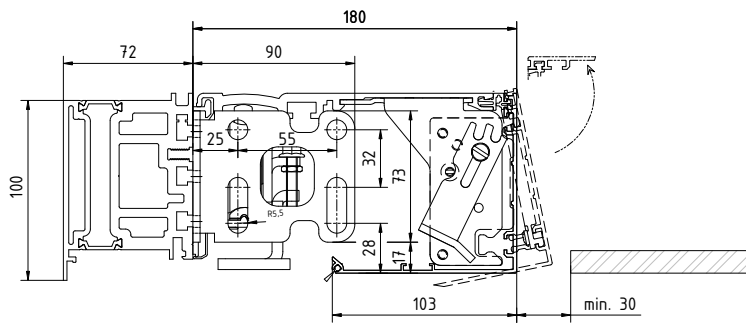
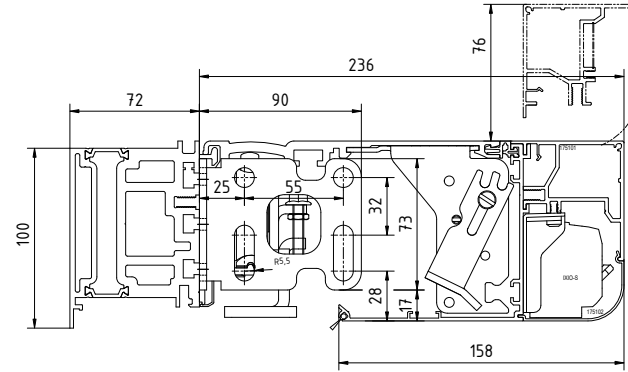
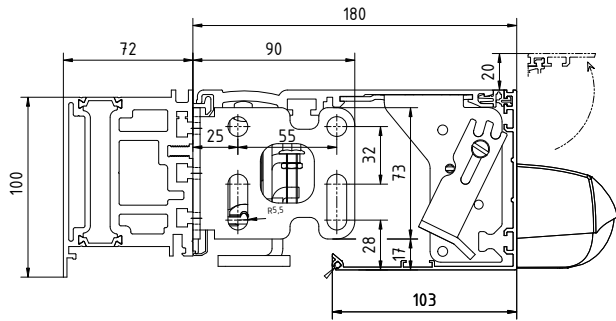
FFL	Finished floor level	Pro Green ES 400 PRO		Weight
LW	Passage width	1-leaf		1-leaf
LH	Clearance height	LW 800 - 3000		ES 400 PRO 1 x 250 kg
H	Installation height	B min. = 2 x LW + 233		
	Noticed	(with fixed part / with post width 121mm)		
X	According to EN 18655 / DIN 18659 Construction and testing principles for automatic. For doors. This dimension may only be + 8 mm.	2-leaf		2-leaf
		LW 1000 - 3000		ES 400 PRO 2 x 200 kg
		B min. = 2 x LW + 207		
		(with fixed part / without post width)		

Make sure the screws are secure!
 In the masonry with the in-
 specified in the documentation
 anchors work.

Manual unlocking:
 Usable European profile cylinder
 (European profile cylinder 17 mm) 35 x 70mm according to DIN 18252 P2BZ
 (Half cylinder European profile 17 mm) 35 x 10 according to DIN 18252
 For operation from the inside
 KABA star Round-cylinder D=22, Typ 1515, 32,5 x 72,5mm,
 Execution AW2 according to EN 1303
 Half round cylinder 32,5/10 (C/H)
 For operation from the inside

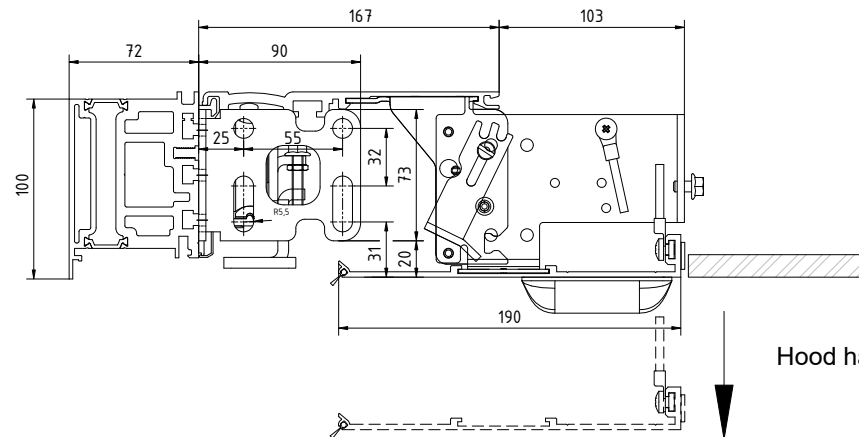
Attention !
 the safety equipment of the automatic door must
 correspond to the risk analysis according to DIN 18650

2	3	4	5	6	7	8	9	10	11
Date	Date	Date	Date	Date	Date	Date	Date	Date	Date

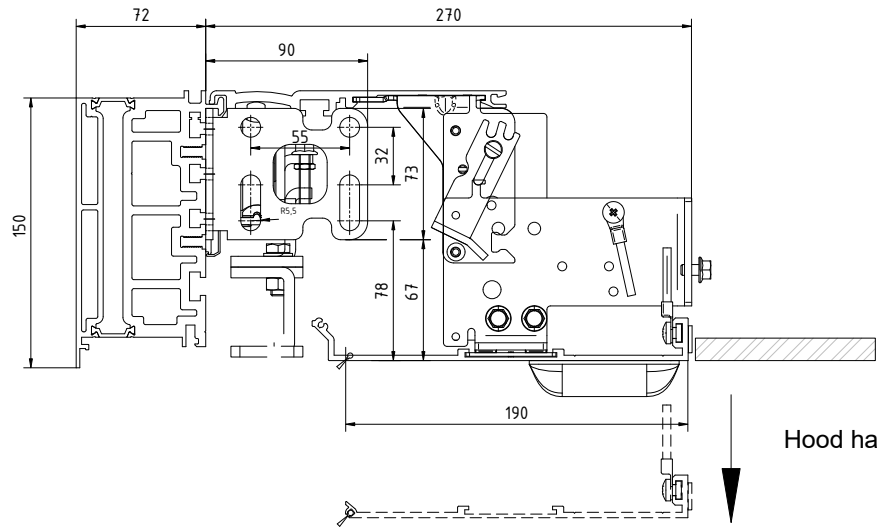
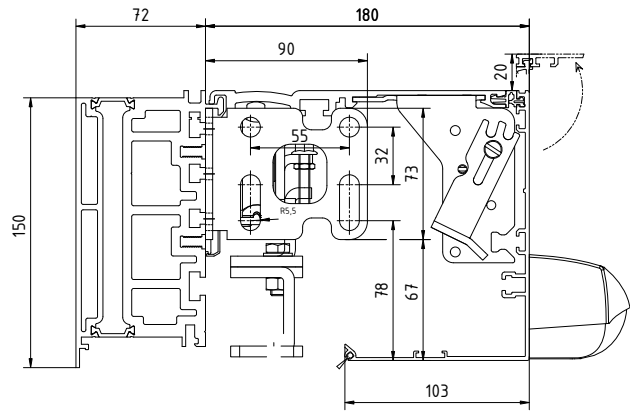


Removable drive cover

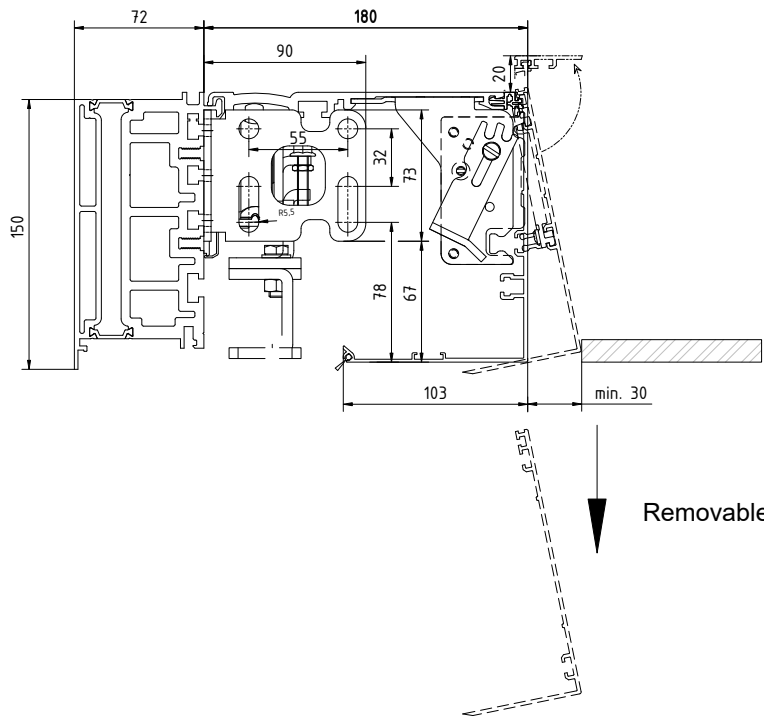
Removable drive cover



Hood hatch



Hood hatch

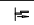
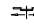


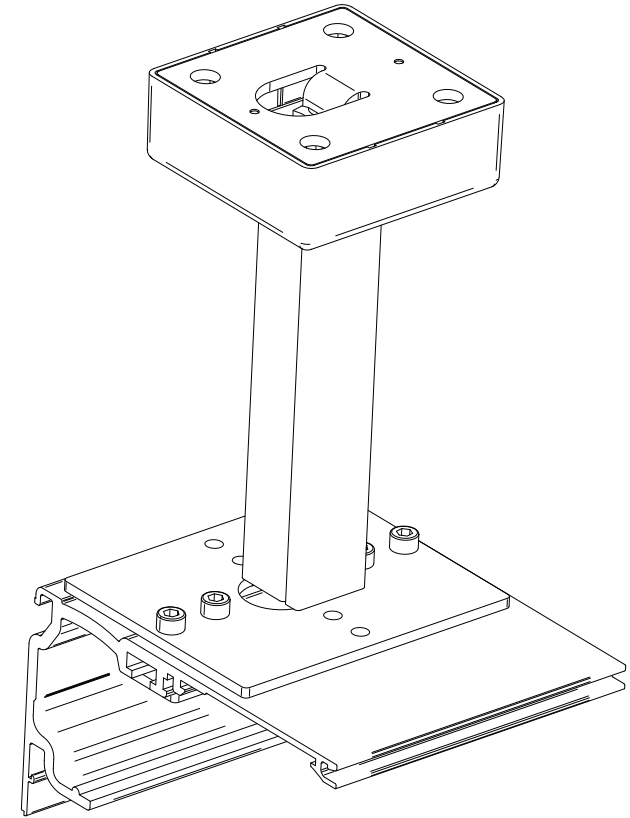
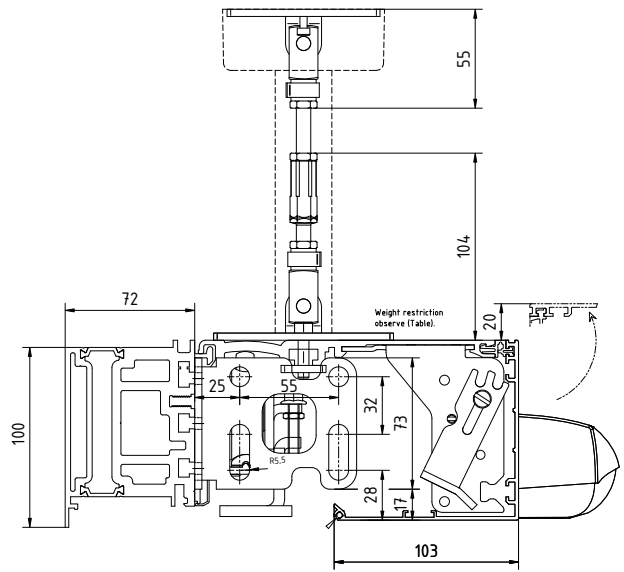
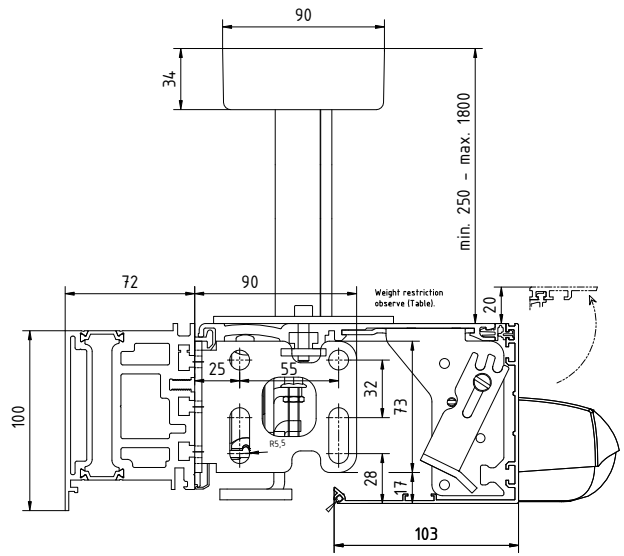
Removable drive cover

© 2013 Schneider Electric
 Schneider Electric is a registered trademark of Schneider Electric
 Schneider Electric is a registered trademark of Schneider Electric

Rev	Date	Desc	Material	QC
1				
2	08/2013	Modificati		
3				
4				
5				
6				
7				
8				
9				
10				
11				

11	ES PROLINE	257836-00-6-60	1
257836-00-6-60		1	1
ES PROLINE		257836-00-6-60	1
ES PROLINE		257836-00-6-60	1

Pro Green ES 400 PRO		Weight
1-leaf LW 800 - 3000 B min. = 2 x LW + 233 (with fixed part / with post width 125mm)		1-leaf ES 400 PRO 1 x 250 kg
2-leaf LW 1000 - 3000 B min. = 2 x LW + 207 (with fixed part / without post width)		2-leaf ES 400 PRO 2 x 200 kg



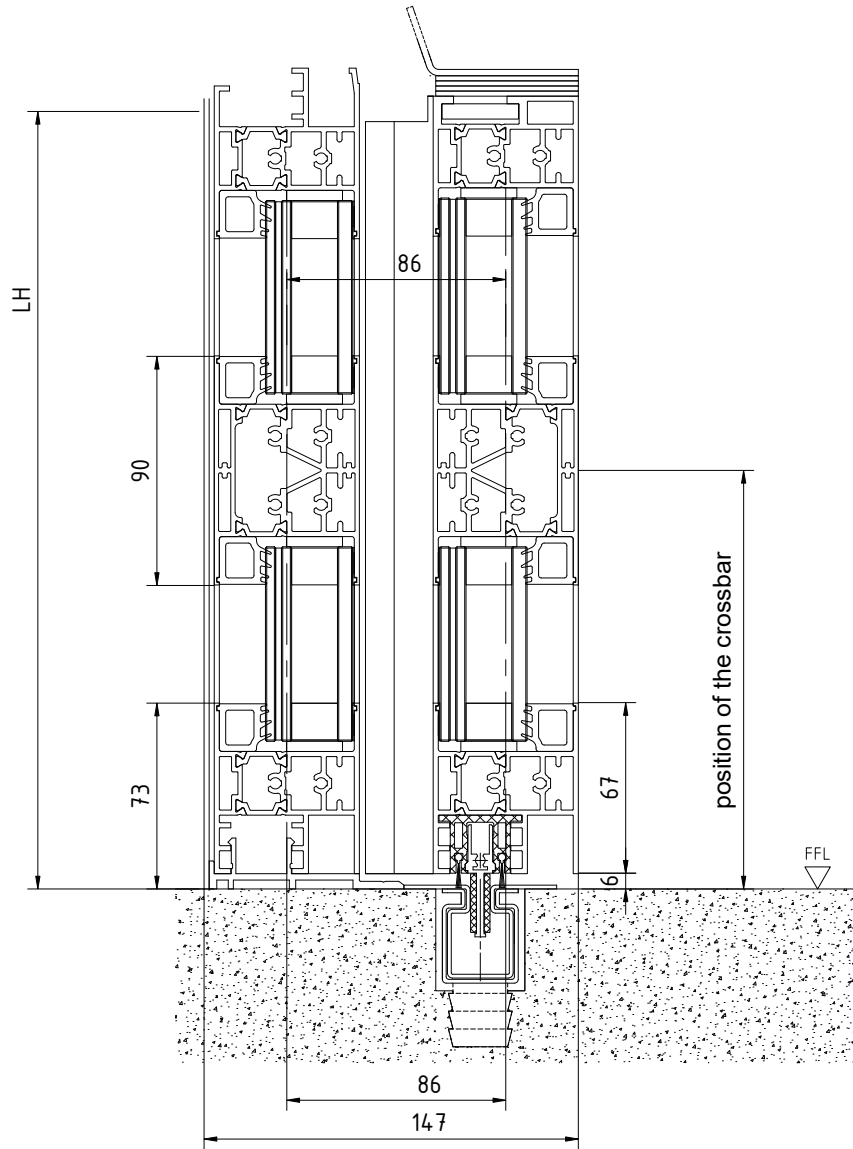
Make sure the screws are secure!
In the masonry with the in-
specified in the documentation
anchors work.

RC2 anti-burglary class door glazing insulating safety glass
according to DIN EN 356 P4A

RC3 anti-burglary class door glazing insulating safety glass
according to DIN EN 356 PSA

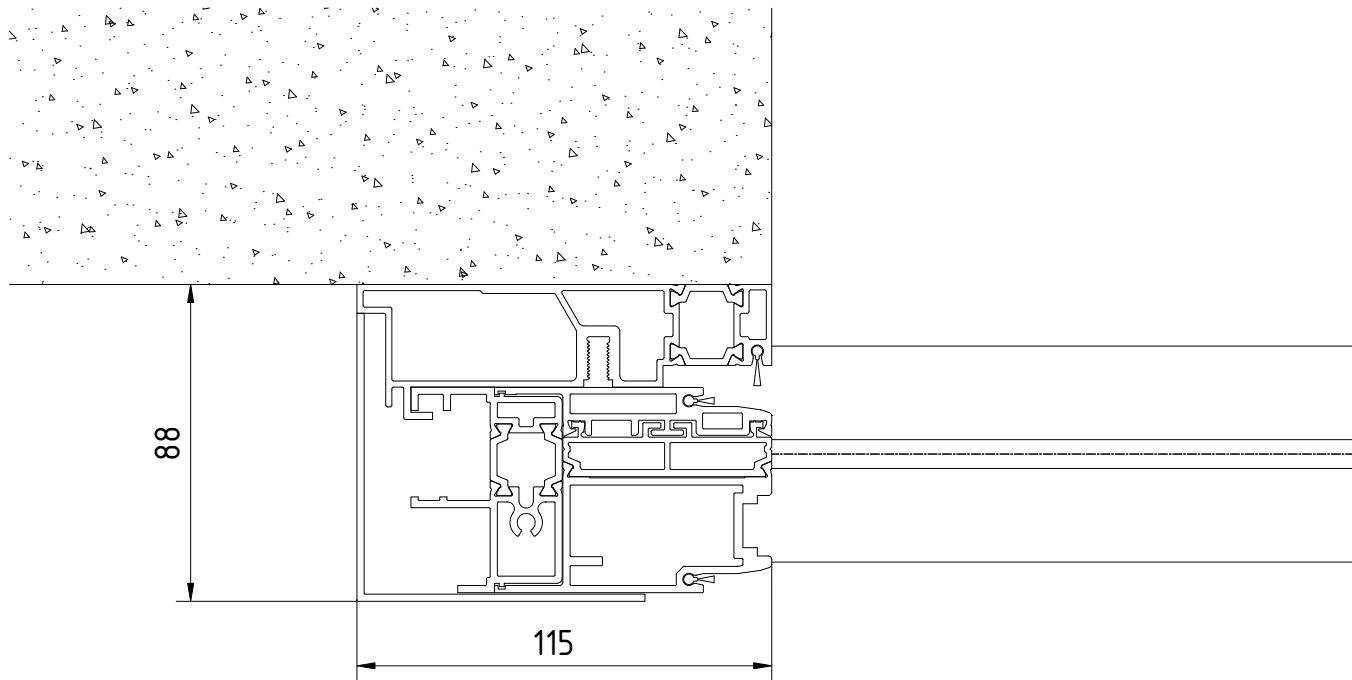
Technische Zeichnung
 Pro Green ES 400 PRO
 257836-00-6-60
 11

Item	Part	Date	Rev.	Material	QC	Remarks
1	ES 400 PRO	08.2013	01	Alu		
2	ES 400 PRO	08.2013	01	Alu		
3	ES 400 PRO	08.2013	01	Alu		
4	ES 400 PRO	08.2013	01	Alu		
5	ES 400 PRO	08.2013	01	Alu		
6	ES 400 PRO	08.2013	01	Alu		
7	ES 400 PRO	08.2013	01	Alu		
8	ES 400 PRO	08.2013	01	Alu		
9	ES 400 PRO	08.2013	01	Alu		
10	ES 400 PRO	08.2013	01	Alu		
11	ES 400 PRO	08.2013	01	Alu		



Technische Zeichnung
 für den Bauantrag
 der Installation der Fenster und Türen
 nach den Angaben der Bauteilelisten
 und den technischen Zeichnungen der Hersteller.

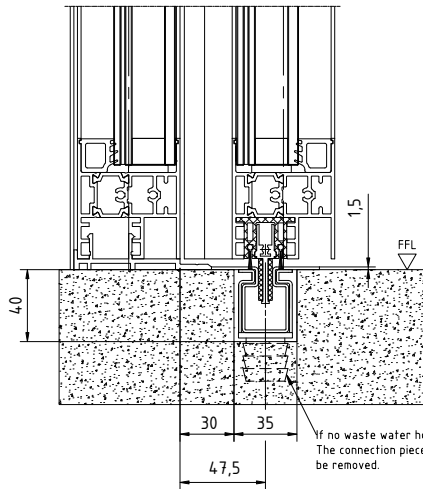
3			Date	Name	Material	© dormakaba GmbH-Co.KG (DE) Energieportal Issue: Format: A1 Replacement:	
2		Drawn	08.2023	Wenzel			
1		Tested					
Rev.	Change No.	Date	Name	Status			
		Scale	ES PROLINE sliding door Pro Green RC2_RC3 ISO 34		Drawing No. 257636-00-6-60 Var.: 00	Sheet	1
crossbar - insulating glass - with fixed part - recessed floor rail						Var.:	00



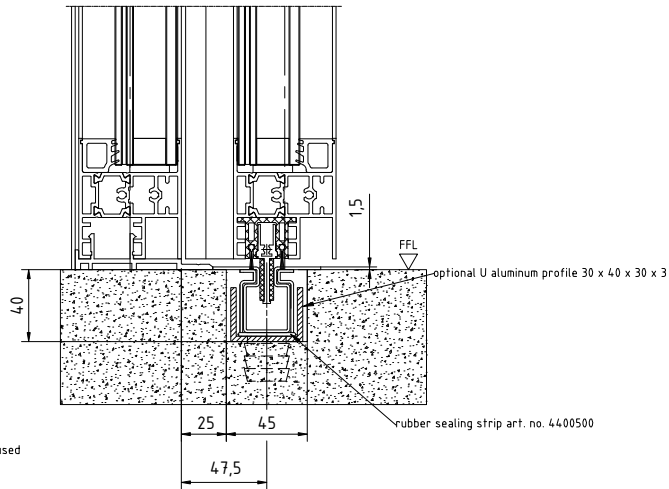
"Distribution and reproduction of this document",
 Use and communication of this content is not permitted,
 unless otherwise stated in writing.
 All rights reserved. All rights in the case
 of design or patent law are reserved.
 Subject to the granting of patents or registrations of utility models."

3				Date	Name	Material	© dormakaba GmbH+Co.KG (DE) Ennepetal					
2				Drawn	08.2023	Wenzel	Issue:					
1				Tested			Format: A2					
1/1	Change No.	Date	Name	Stand.			Replacem.:					
	W.	00000000000000000000					Drawing-No.	Var.	Typ	Cond.	Sheet	
		Scale	ES PROLINE				257636-00-6-60	1		1		
		1:1	sliding door Pro Green RC2_RC3 ISO 34				Var.: 00				1	
			receiving post - insulating glass- with fixed part - recessed floor rail								1	
											1	
											1	

Solutions for various construction situations. Each real situation is a particular case which must be clarified on site and may differ from these versions. The data can be found in the assembly instructions.



If no waste water hose is connected, The connection pieces on the end caps can be removed.



optional adjustable feet art. No. 4400490

