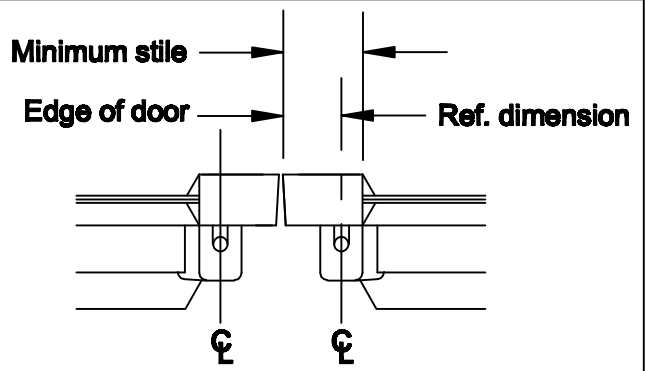
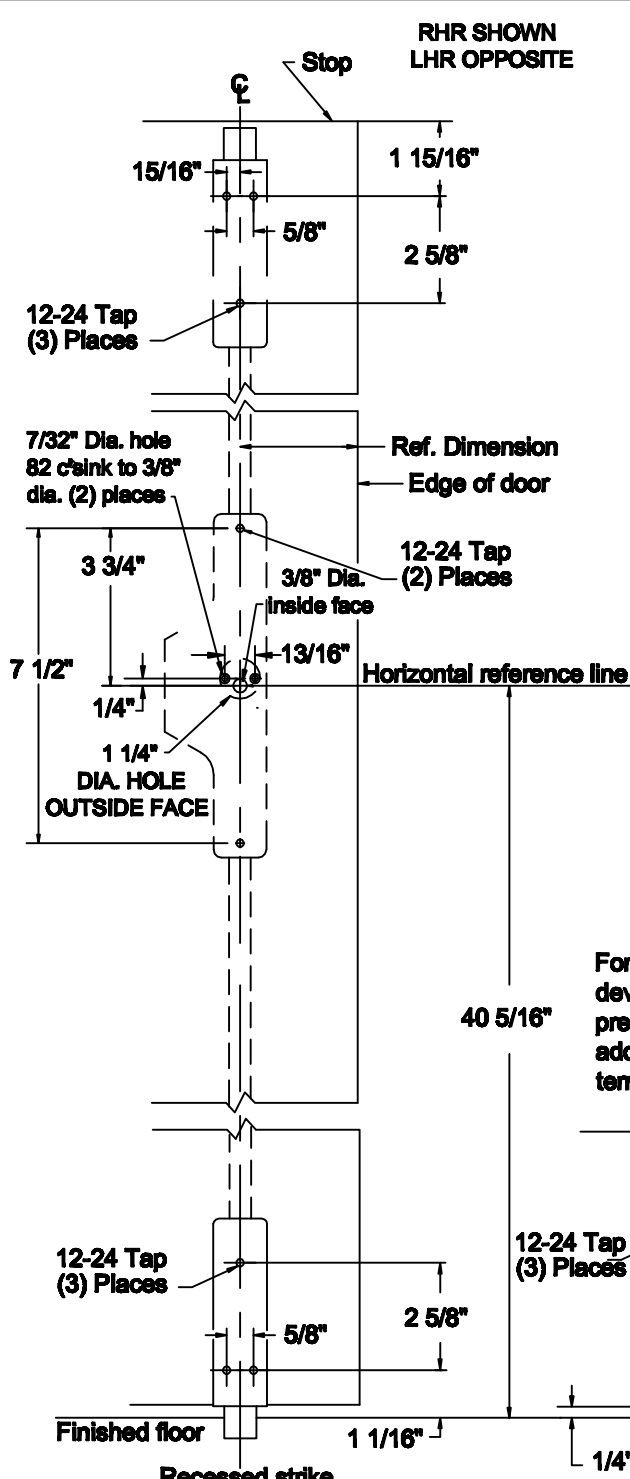
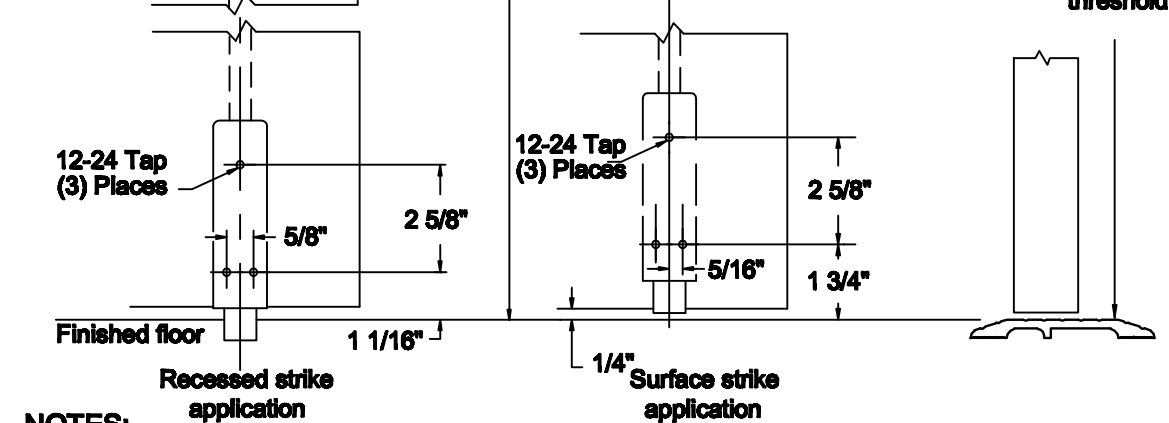


RHR SHOWN
LHR OPPOSITE



	Ref. dim.	Min. stile
Single door 1/2" stop	1 3/8"	2"
Pairs and double egress	1 1/4"	1 5/8"
Paired with 9700 rim	1 5/8"	2 3/16"

For less bottom rod (LBR) devices, delete bottom latch prep. On fire rated devices additional "Popper" req. see template T-4012.



NOTES:

1. SEE MASTER SHEET #T-0001 FOR SUGGESTED DOOR REINFORCEMENT.
2. SEE ADDITIONAL TRIM TEMPLATE WHEN REQUIRED.
3. FOR LBR (LESS BOTTOM ROD) DEVICE, DELETE BOTTOM LATCH PREP.

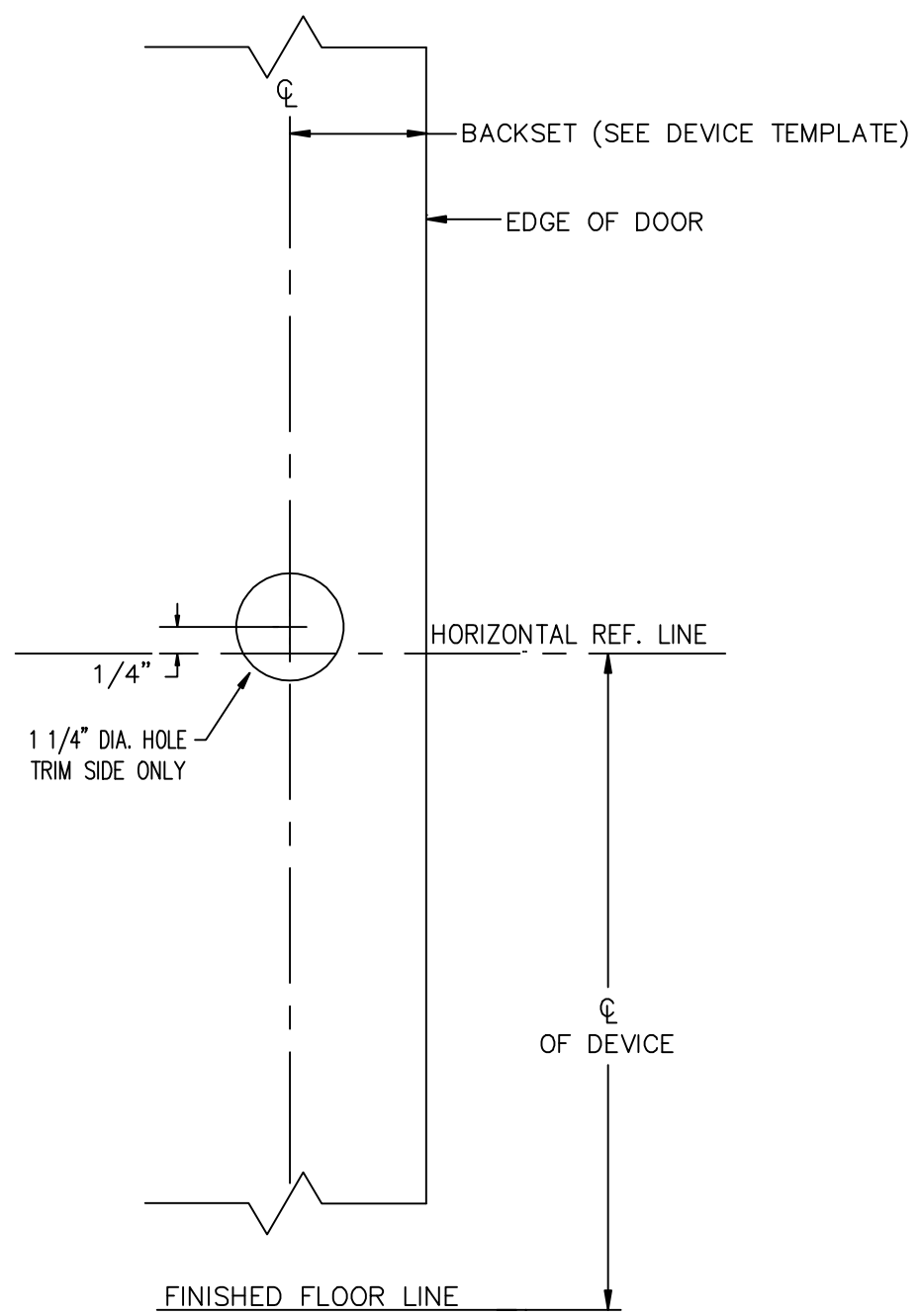
REV. No. 0 REVISION: DATE: 2-12-2010



9800 & F9800 x CYLINDER (NO TRIM)
VERTICAL ROD TYPE EXIT DEVICE

TEMPLATE NUMBER
T-9800 ©

LHRB SHOWN
RHRB OPPOSITE



REV. No. 0 REV: DATE: 2-2-2010



CYLINDER PREP FOR 03 FUNCTION (NO TRIM)
9600/F9600, 9700/F9700 & 9800/F9800
NARROW STILE EXIT DEVICES

TEMPLATE NUMBER
T-9030©