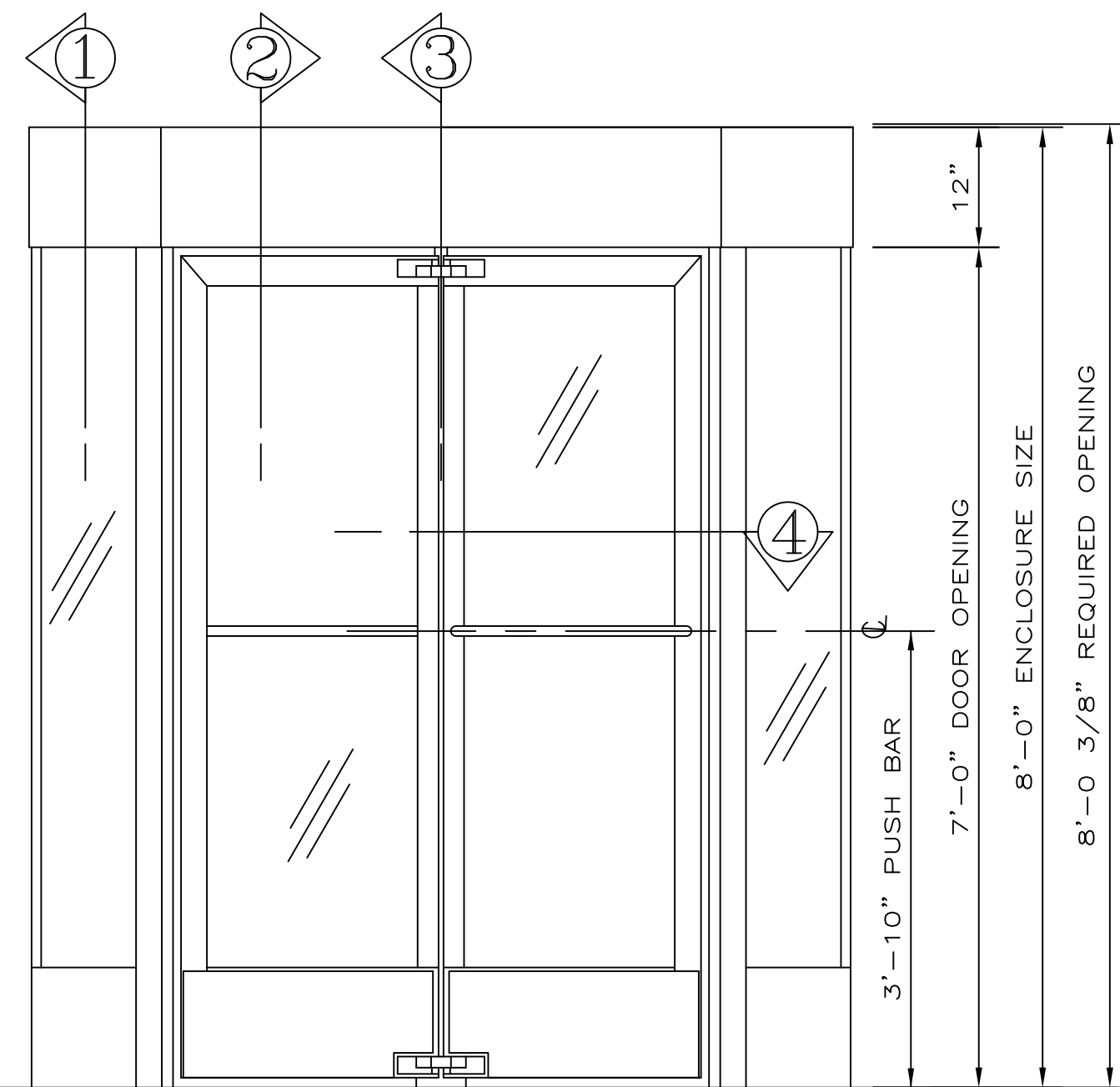
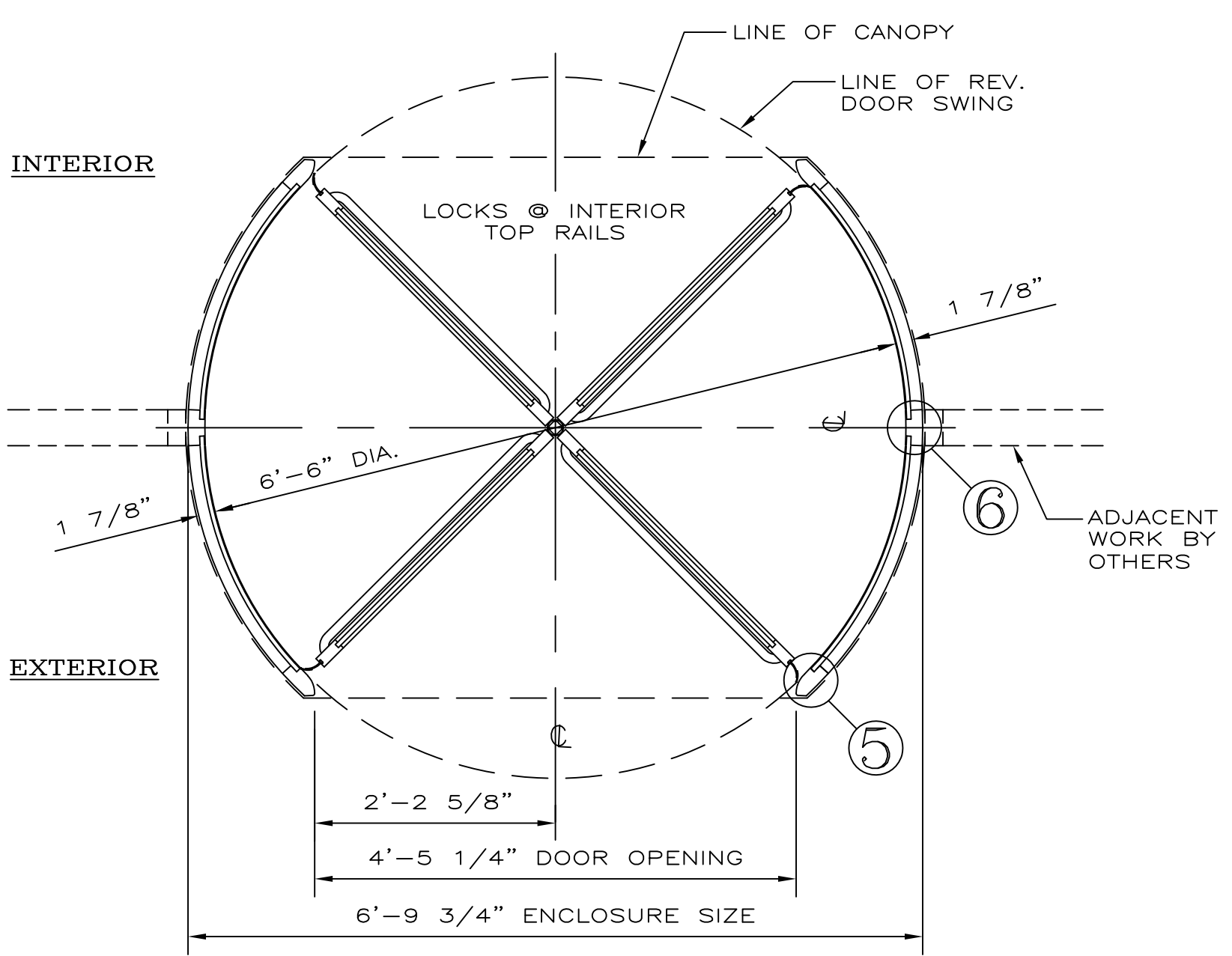


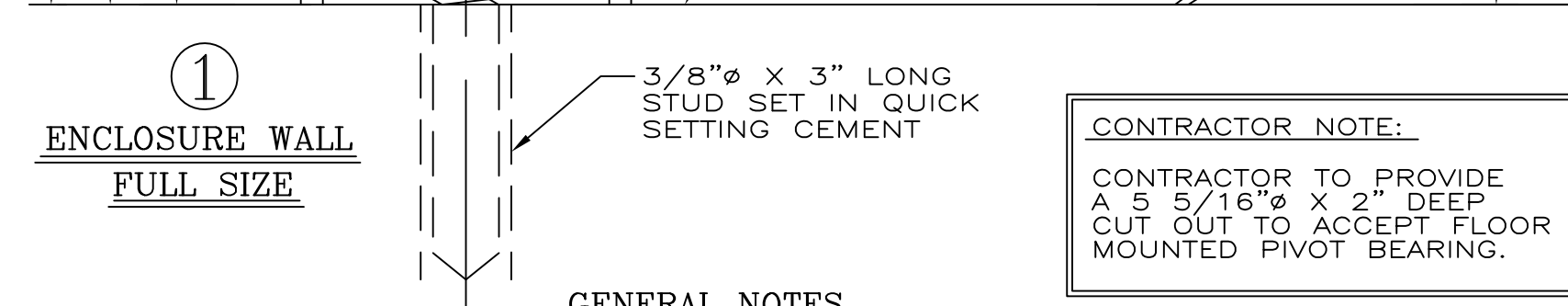
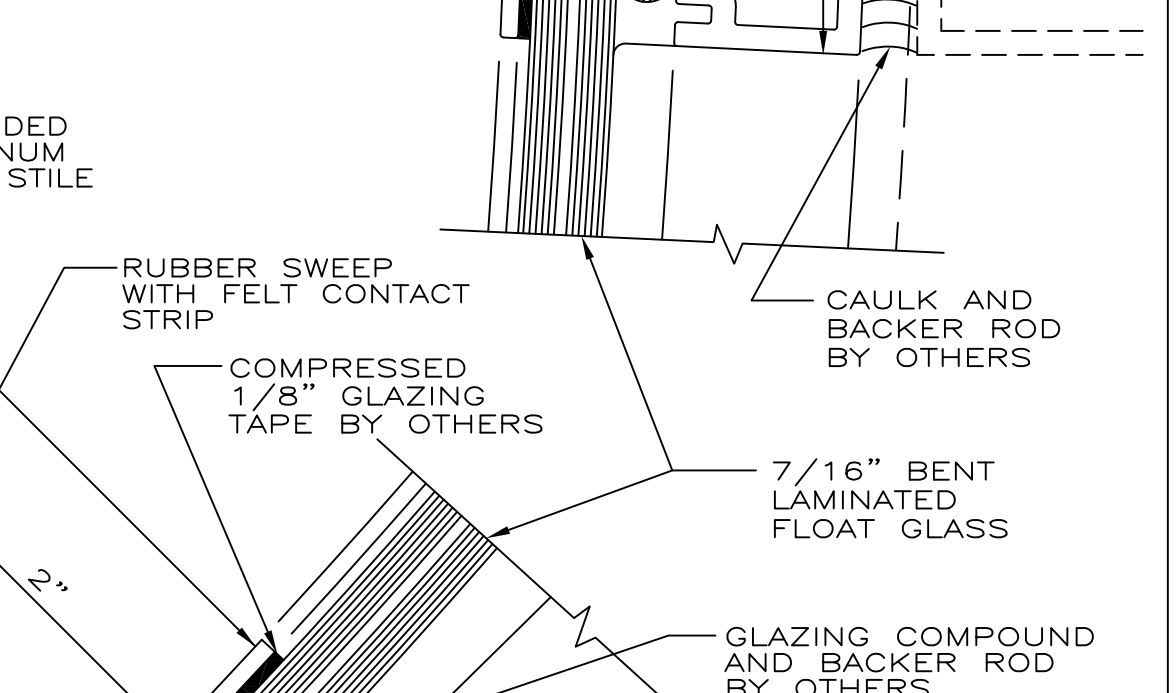
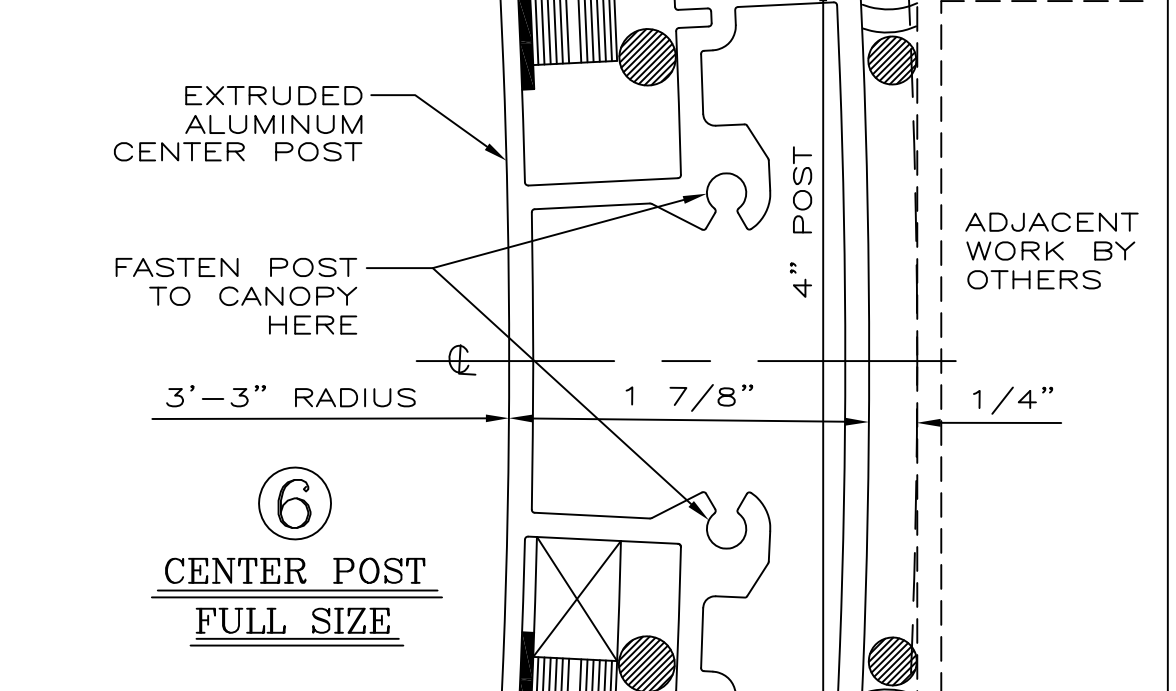
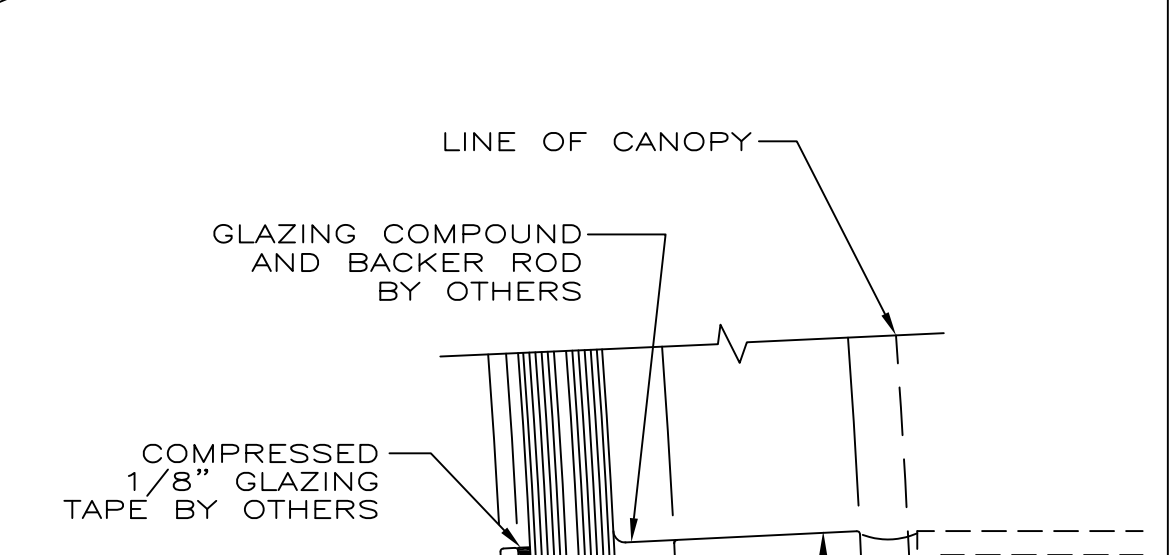
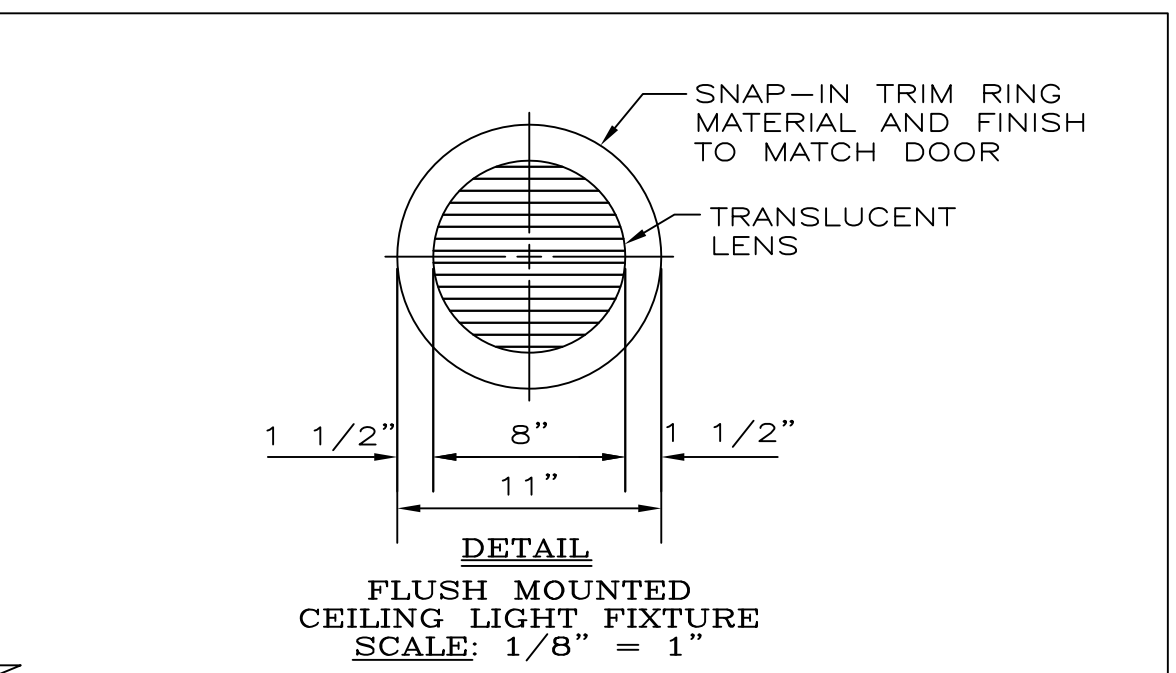
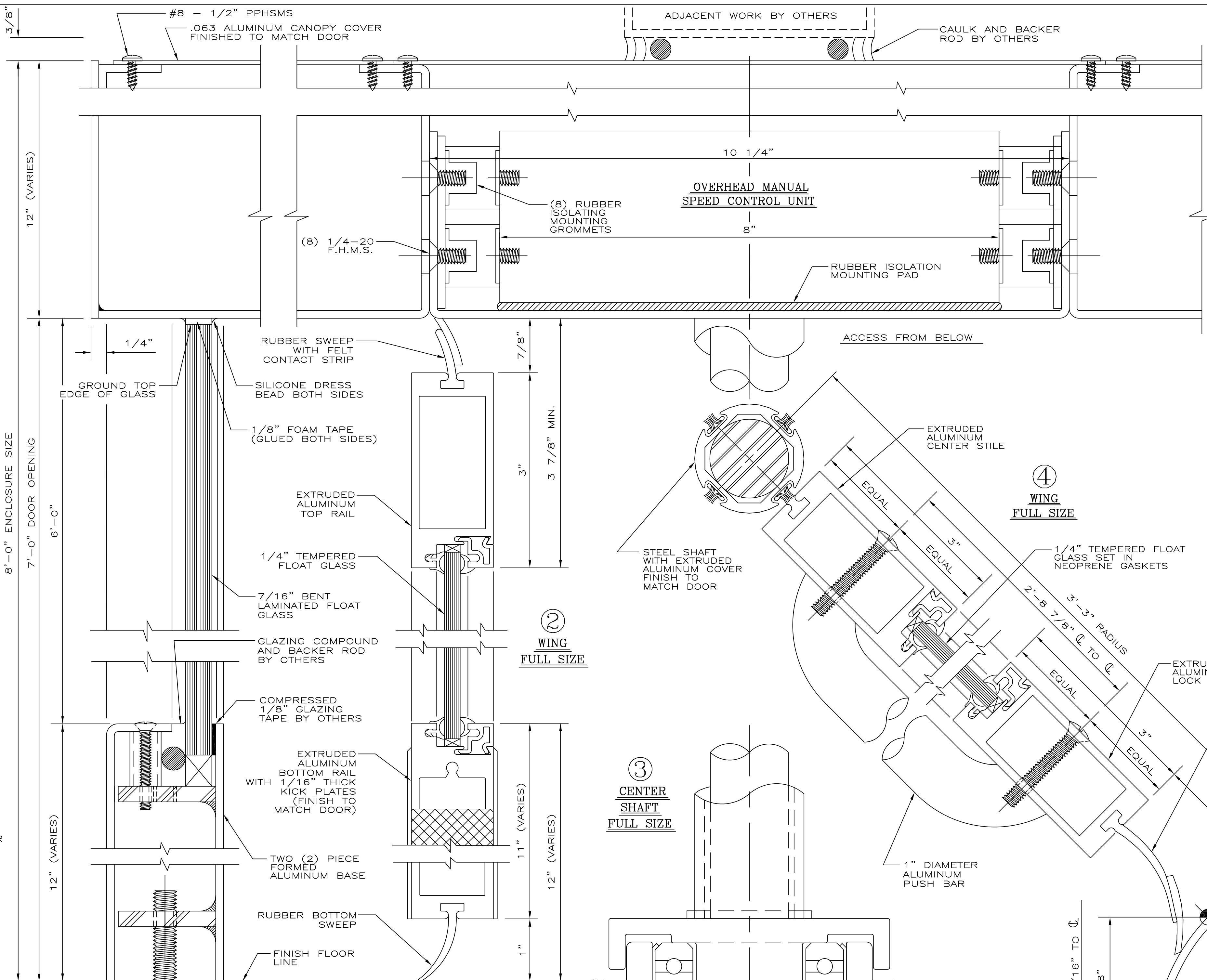
CANOPY REINFORCING PLAN
SCALE: 3/4" = 1'-0"



ELEVATION
ONE (1) DOOR REQUIRED THUS
SCALE: 3/4" = 1'-0"



PLAN
SCALE: 3/4" = 1'-0"



GENERAL NOTES

CONTRACTOR SHOULD CHECK & TAKE NOTE OF ALL DIMENSIONS AS C.D.C. (CRANE DOOR CO.) ASSUMES NO RESPONSIBILITY BEYOND MANUFACTURING IN ACCORDANCE WITH THE DIMENSIONS SHOWN ON SHOP DRAWINGS.

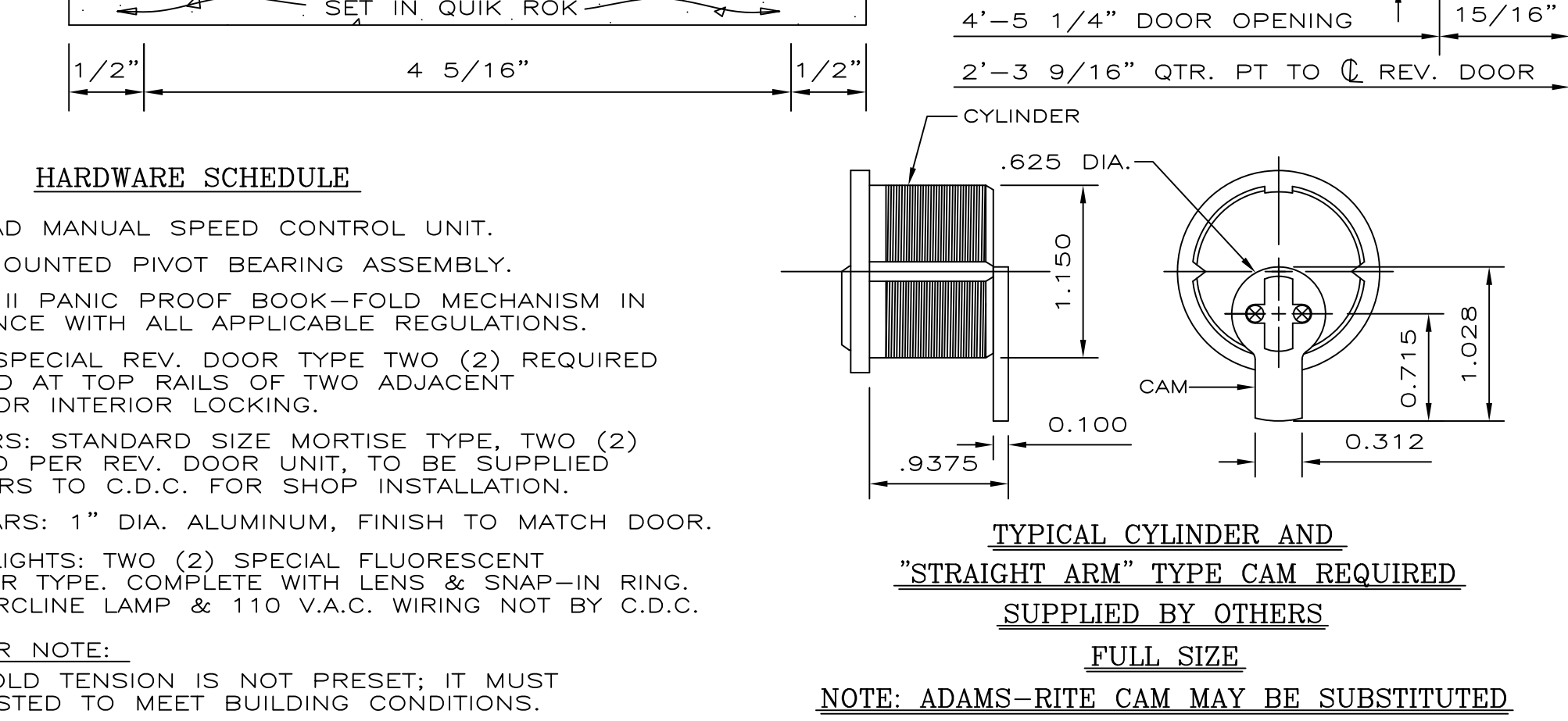
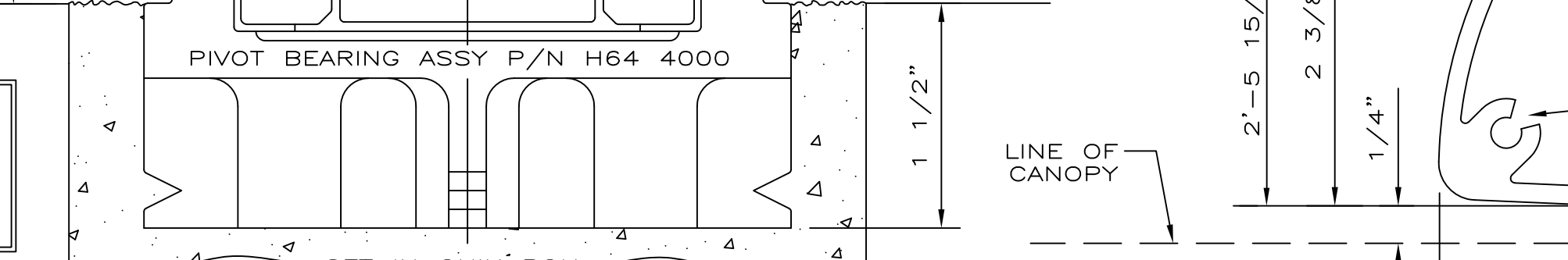
APPROVAL INDICATES THAT THIS SHOP DRAWING HAS BEEN CHECKED AND THAT YOU AUTHORIZE US TO FABRICATE MATERIALS AS SHOWN HERE-IN.

REVOLVING DOOR PERIMETER CAULKING (INCLUDING BASE SECTION TO FLOOR) AND CANOPY COVER CAULKING NOT BY C.D.C. ALL HOLES IN FLOOR NOT BY C.D.C.

MATERIAL TO BE:
EXTRUDED ALUMINUM OF 6063-T52 ALLOY. SHEET ALUMINUM OF 5005-H34 AQ ALLOY. (UNLESS OTHERWISE SPECIFIED)

FINISH TO BE:
CLEAR ANODIZED AA-M32-C22-A41

GLASS TO BE: CLEAR
1/4" TEMPERED FLOAT FOR WINGS
7/16" LAMINATED BENT FLOAT FOR ENCLOSURE GLASS TO MEET ANSI Z97.1 AND 16 CFR 1201. ALL TEMPERED GLASS TO HAVE SAFETY LOGOS. IF ADDITIONAL LOGOS ARE REQUIRED PLEASE SPECIFY.



INSTALLER NOTE:
BOOK-FOLD TENSION IS NOT PRESET; IT MUST BE ADJUSTED TO MEET BUILDING CONDITIONS.

NOTE: ADAMS-RITE CAM MAY BE SUBSTITUTED

NOTE: PRIOR TO FABRICATION, SHOP DRAWINGS AND FINISH SAMPLES MUST BE FULLY APPROVED AND RETURNED TO C.D.C.

CRANE DORMA
REVOLVING DOORS™

PHONE: 847-295-2700 FAX: 847-295-5288

SCALE: AS SHOWN	JOB NAME:	XXX
DRAWN BY: JG	REVISIONS:	
FAB. CHECK:	LOCATION:	PLEASE ADVISE
CHECKED BY:	ARCHITECT:	PLEASE ADVISE
ORD. NO.:	CONTRACTOR:	PLEASE ADVISE
DATE: 2009	SUB. CONTRACTOR:	PLEASE ADVISE
	MFG. REPRESENTATIVE:	PLEASE ADVISE
	HOW. CHECK:	
	NOTES:	X
	SHEET OF	DRAWING NO.: AL 3000 C