

# Installation Instructions for EM EXT Series Door Holder Extension Kits



## Description

The Dorma ACC, ER Series Door Holder Extension Kits are used where it is desired to hold doors open and where a standoff distance between the magnet assembly and the armature base is required. The extension rod kit can be used with Dorma EM Series Door Holders. Parts from these door holders are used with the extension kits to form a complete unit.

## Specifications

Model Number	Extension Range
ACC,ER 1.5 PKG	1 1/2" (38 mm) Fixed
ACC, ER 2.5 PKG	2" (51 mm) Fixed
ACC, ER 7 PKG	5-3/8 - 6-3/8" (137 - 162 mm)
ACC, ER 12 PKG	7-3/8 - 10-3/8" (187 - 264 mm)

Note: Extension ranges published are with no catch plate attached.

**! WARNING**

**The extension kits project a significant distance from the doors they are mounted on and should, therefore, be mounted as high as possible to preclude interference or personal injury.**

## Installation

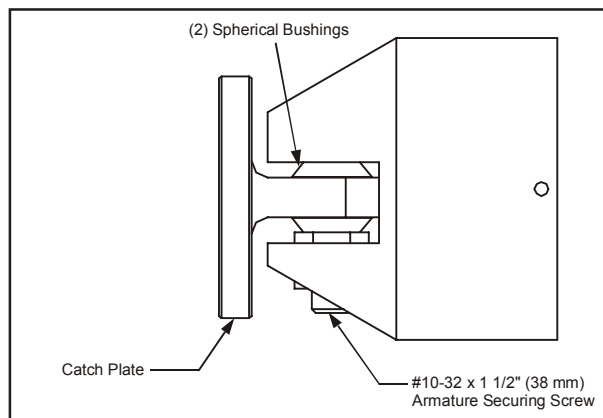
1. Install the extension kit as follows.
  - a. Remove the #10-32 x 1 1/2" (38 mm) armature securing screw and remove the catch plate from the armature base (Figure 1).
  - b. Insert spherical bushings (removed in Step 1.a) as

shown in Figure 2 or Figure 3 as applicable. If bushings are damaged, replace with bushings supplied with the door holder extension kit.

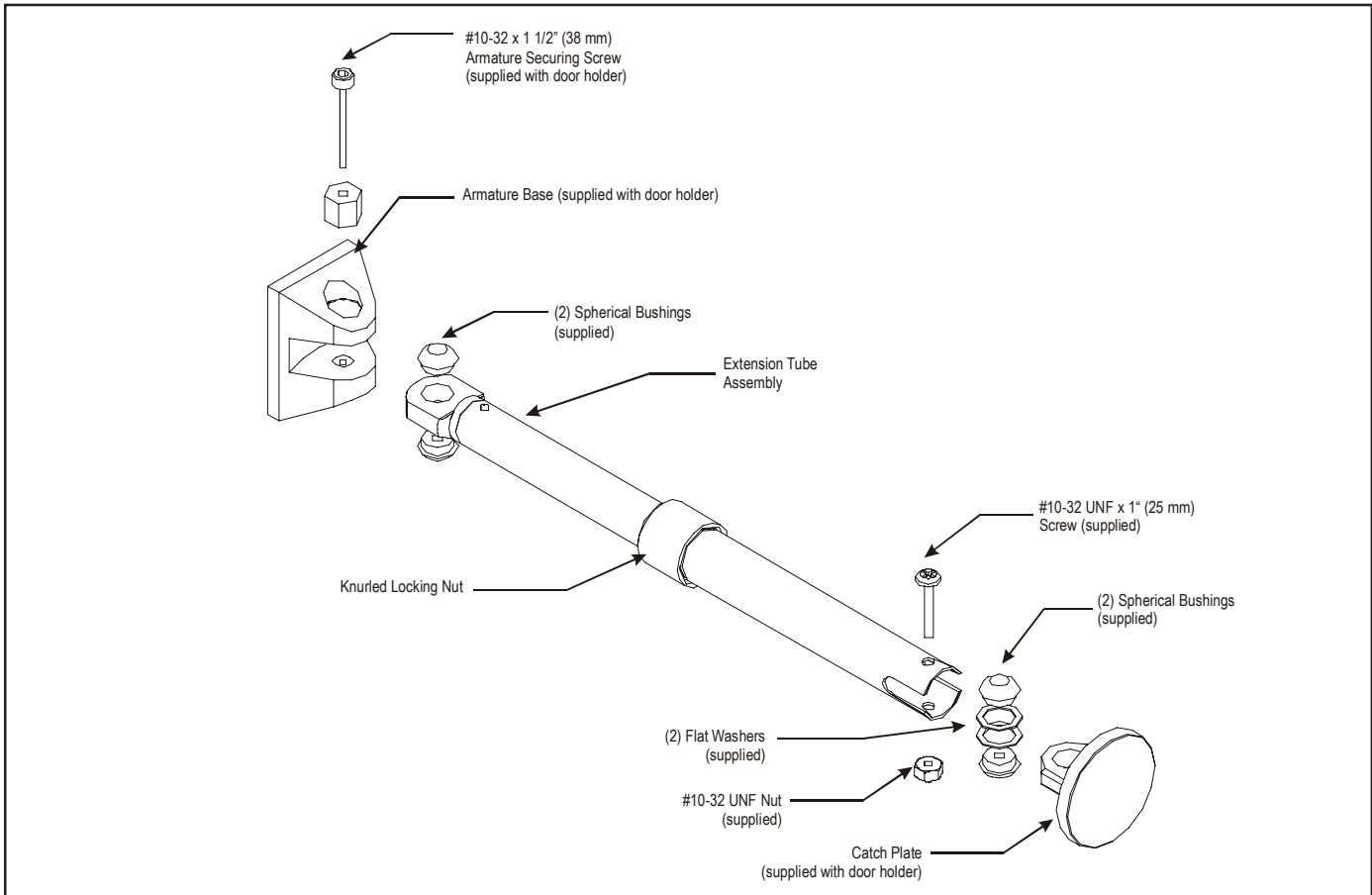
- c. Insert the extension rod into the armature base and secure with #10-32 x 1 1/2" (38 mm) armature securing screw (Figures 1 - 3).
- d. Insert spherical bushings (supplied) and flat washers (supplied with EM EXT 7" and EM EXT 12" only) into the extension rod assembly as shown in Figure 2 or Figure 3, as applicable. Secure catch plate in extension rod using #10-32UNF x 1" (25 mm) securing screw (Figure 2).
- e. For adjustable units only, adjust the extension length by loosening the knurled locking nut, extending the rod to the desired length and retightening the knurled locking nut (Figure 2).

**NOTE:** Proper alignment of the catch plate and the electromagnet helps ensure sufficient holding force.

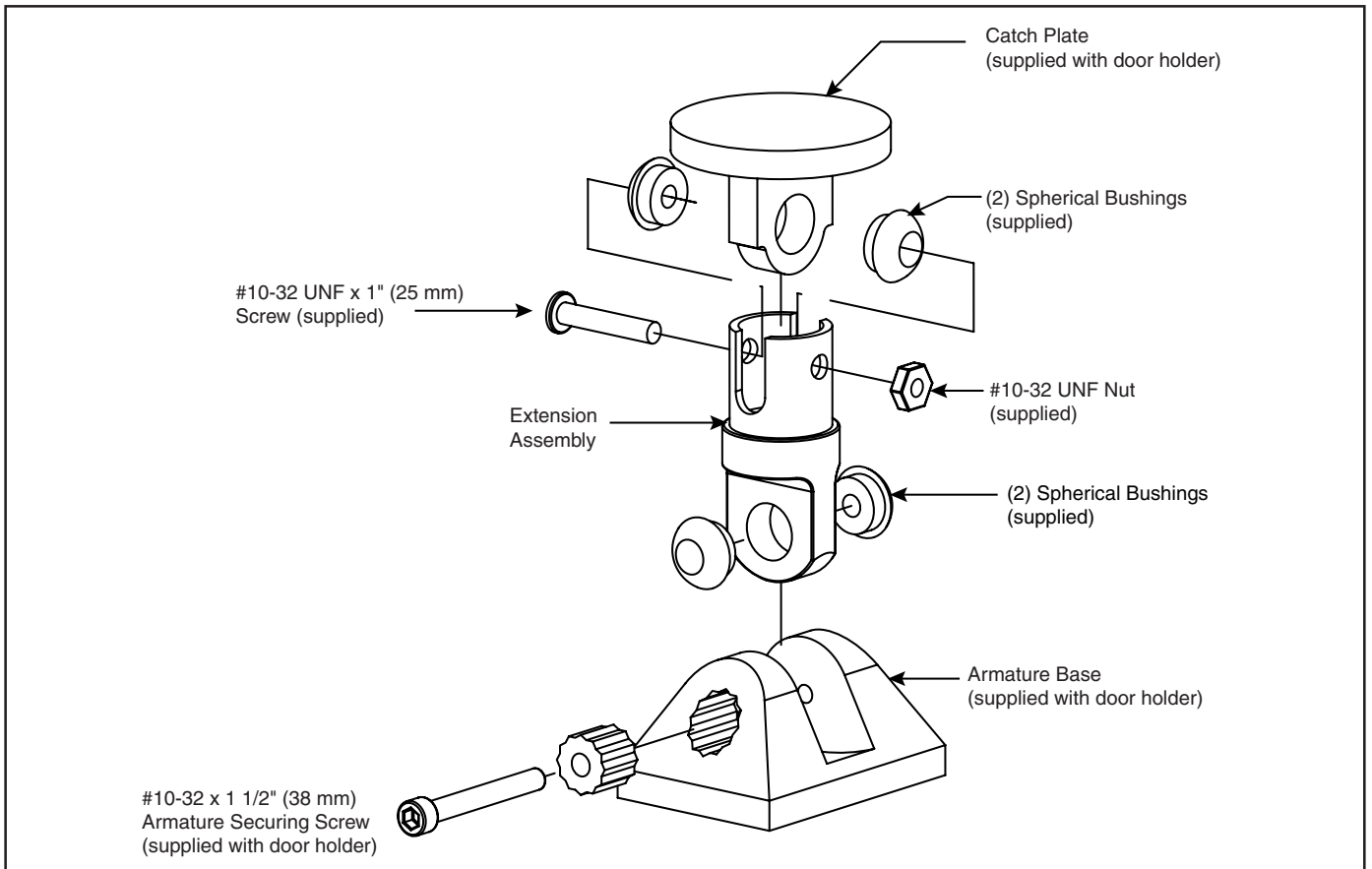
- f. Align the catch plate with the electromagnet by moving the extension arm up or down and back or forth while simultaneously adjusting the catch plate against the magnet. There should be no gap between the catch plate and the magnet.
  - g. After the desired extension length and contact alignment have been achieved, perform the following (Figure 2):
    1. Using a 5/32" (4 mm) Allen Wrench (supplied), lock the extension arm into position by tightening the armature securing screw (Figure 2). **Do not overtighten.**
  - h. Perform an operational check of the Electromagnetic Door Holder as outlined in the installation instruction provided with the door holder.
2. For more detailed information on installation of the door holders, see the instructions supplied with the door holder.



**Figure 1. Armature Base Assembly**



**Figure 2. Extension Rod Assembly (Adjustable EX EXT 7" and EM EXT 12" Model)**



**Figure 3. Extension Rod Assembly (Adjustable EM EXT 1" and EM EXT 2" Model)**

**P/N 3101015 OFFSET SPEC**

**INSTALLATION INSTRUCTIONS FOR EM EXT  
SERIES DOOR HOLDER EXTENSION KITS**

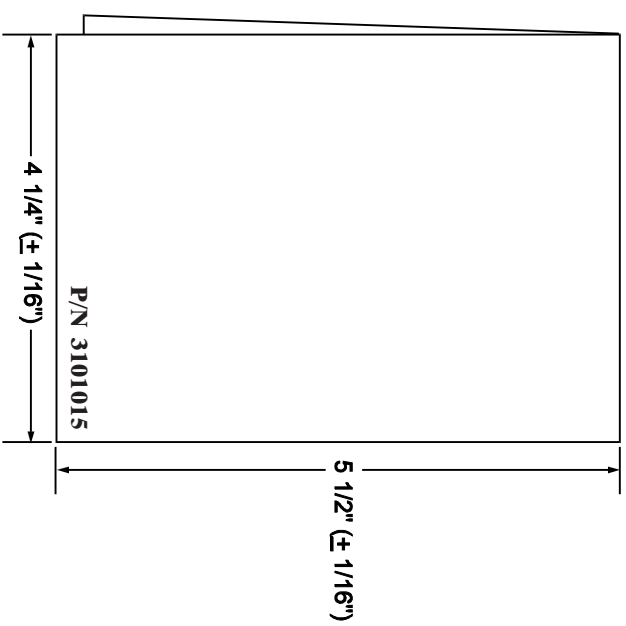
**(1) 8 1/2" X 11" SHEET PRINTED BOTH SIDES.  
FOLD TWO TIMES TO DIMENSIONS SHOWN ON  
DETAIL WITH PART NUMBER ON THE OUTSIDE.**

**MATERIAL: STANDARD WHITE OFFSET STOCK**

**CHARACTERS: TO BE BLACK ON WHITE BACK-  
GROUND**

**NOTE: MECHANICALS HAVE ALREADY BEEN  
REDUCED TO ACTUAL SIZE.**

**RETURN MECHANICALS TO:  
TECHNICAL WRITING  
EDWARDS SIGNALING  
& SECURITY SYSTEMS  
41 WOODFORD AVENUE  
PLAINVILLE, CT 06062**



**FOLD DETAIL REFERENCE ONLY**

**ECN: 05-C1779  
Issue: 2  
File: 3101015  
Approved by: GM**