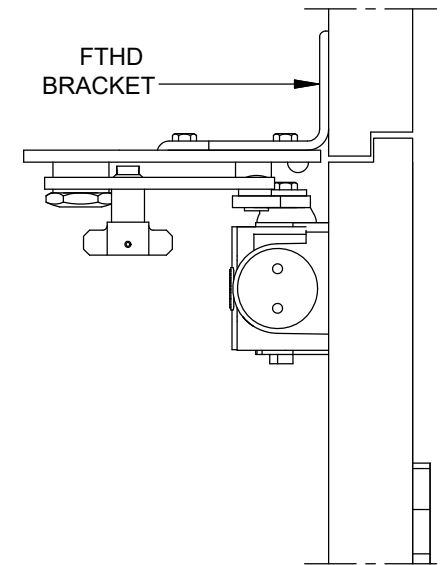
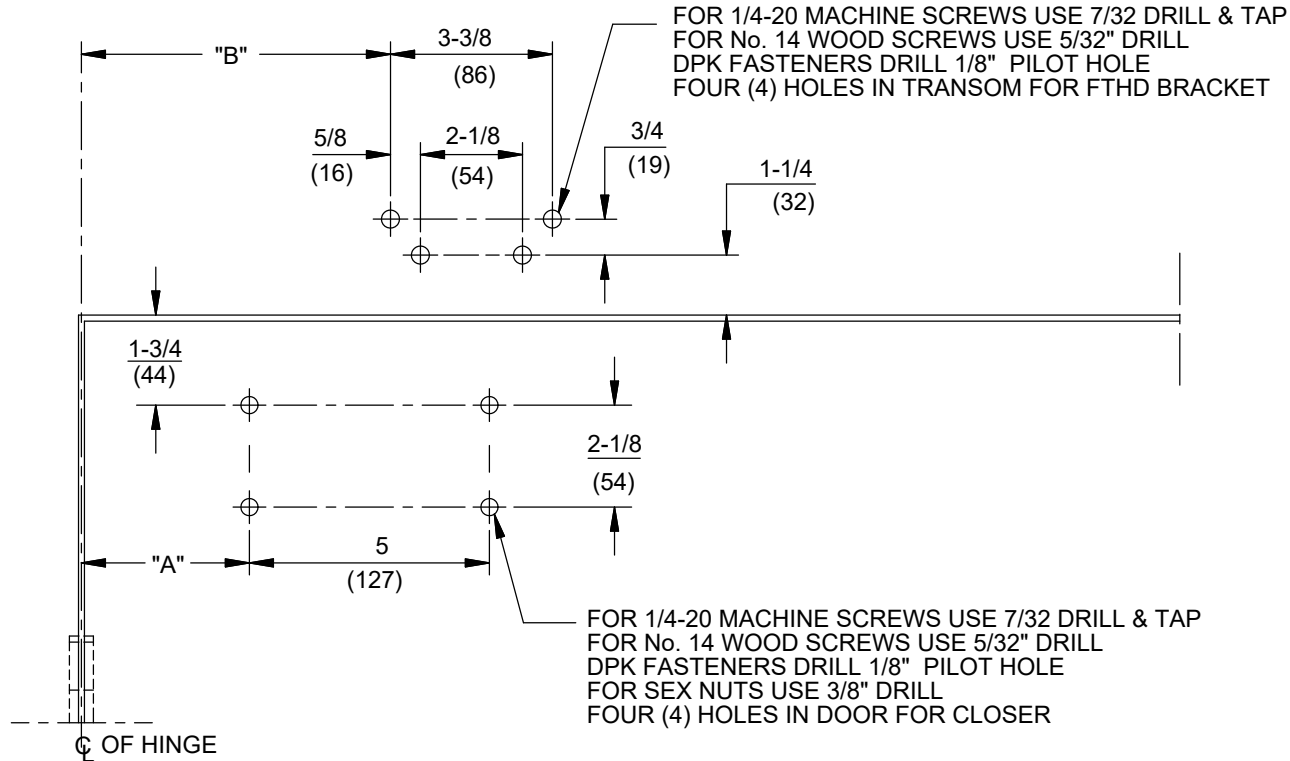


NOTES:

1. DO NOT SCALE DRAWING.
2. DIMENSIONS ARE IN INCHES/(MM).
3. LEFT HAND DOOR SHOWN.
4. CAUTION: SEX NUTS ARE REQUIRED FOR ATTACHMENT OF COMPONENTS TO UNREINFORCED DOORS AND TO WOOD OR PLASTIC FACED COMPOSITE TYPE FIRE DOORS, UNLESS AN ALTERNATIVE METHOD IS IDENTIFIED IN THE INDIVIDUAL DOOR MANUFACTURER'S LISTINGS.
5. MINIMUM DOOR WIDTH 26".
6. TEMPLATING BASED ON 4-1/2" X 4-1/2" BUTT HINGES.
7. MAXIMUM OPENING 180°.
8. OPTIONAL DPK FASTENERS (DPK89) FOR STEEL DOOR & FRAME ONLY.

ANGLE OPENING OF HOLD OPEN	DIM. "A" CLOSER	DIM. "B" FTHD BRACKET
TO 100° H.O. 90°	$\frac{7-1}{8}$ (181)	$\frac{10-1}{16}$ (256)
TO 180° H.O. 127°	$\frac{3-1}{2}$ (89)	$\frac{6-7}{16}$ (164)

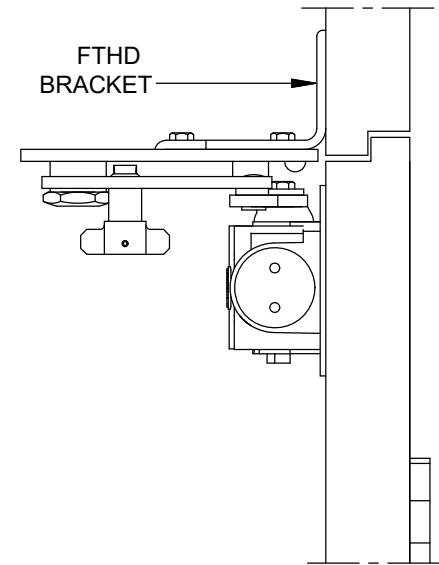
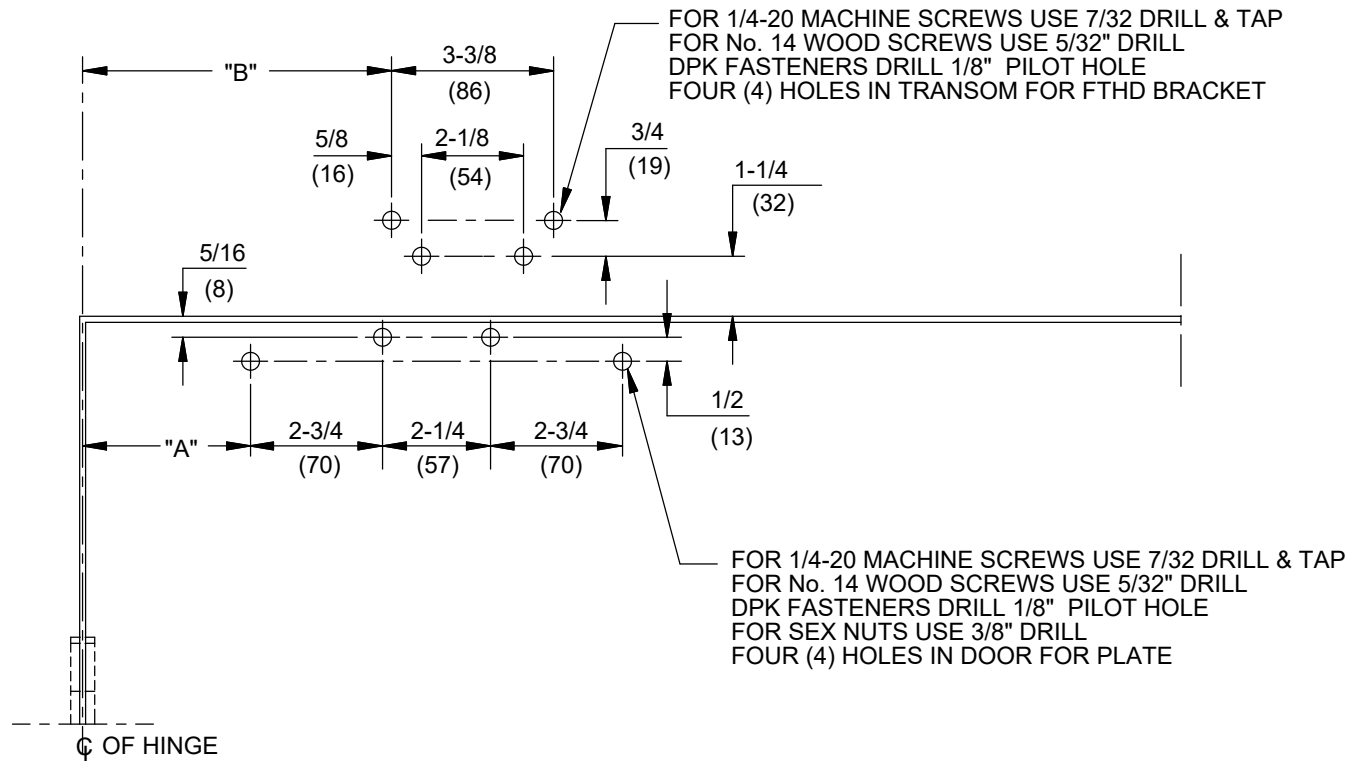


DOOR CLOSER MODELS: 8916, 8956 SPA, SPAT, SPAK x FTHD
PARALLEL ARM INSTALLATION (PUSH SIDE MOUNT)
FLUSH TRANSOM BRACKET

NOTES:

1. DO NOT SCALE DRAWING.
2. DIMENSIONS ARE IN INCHES/(MM).
3. LEFT HAND DOOR SHOWN.
4. CAUTION: SEX NUTS ARE REQUIRED FOR ATTACHMENT OF COMPONENTS TO UNREINFORCED DOORS AND TO WOOD OR PLASTIC FACED COMPOSITE TYPE FIRE DOORS, UNLESS AN ALTERNATIVE METHOD IS IDENTIFIED IN THE INDIVIDUAL DOOR MANUFACTURER'S LISTINGS.
5. MINIMUM DOOR WIDTH 26".
6. TEMPLATING BASED ON 4-1/2" X 4-1/2" BUTT HINGES.
7. MAXIMUM OPENING 180°.
8. OPTIONAL DPK FASTENERS (DPK89) FOR STEEL DOOR & FRAME ONLY.

ANGLE OF OPENING HOLD OPEN	DIM. "A" PLATE	DIM. "B" FTHD BRACKET
TO 100° H.O. 90°	7-1/8 (181)	10-1/16 (256)
TO 180° H.O. 127°	3-1/2 (89)	6-7/16 (164)



DOOR CLOSER MODELS: 8916, 8956 SPA, SPAT, SPAK x FTHD
 PARALLEL ARM INSTALLATION (PUSH SIDE MOUNT)
 WITH PLATE DP89
 FLUSH TRANSOM BRACKET