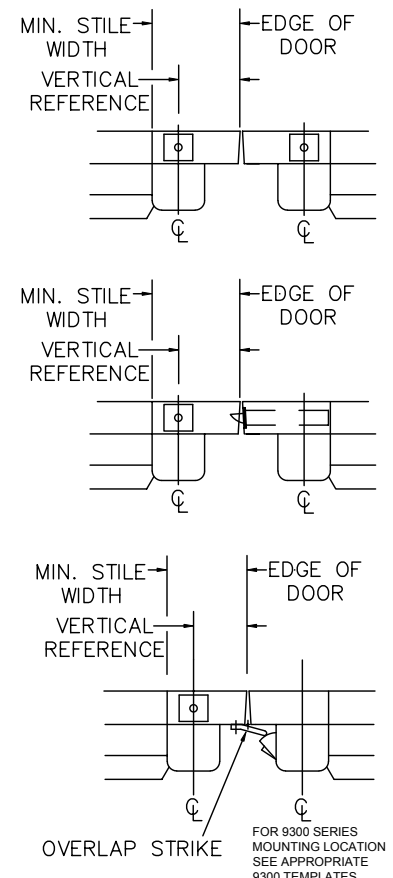
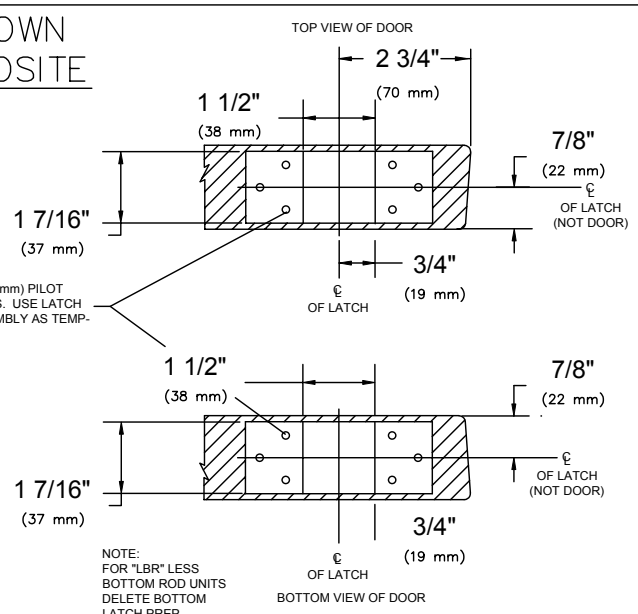
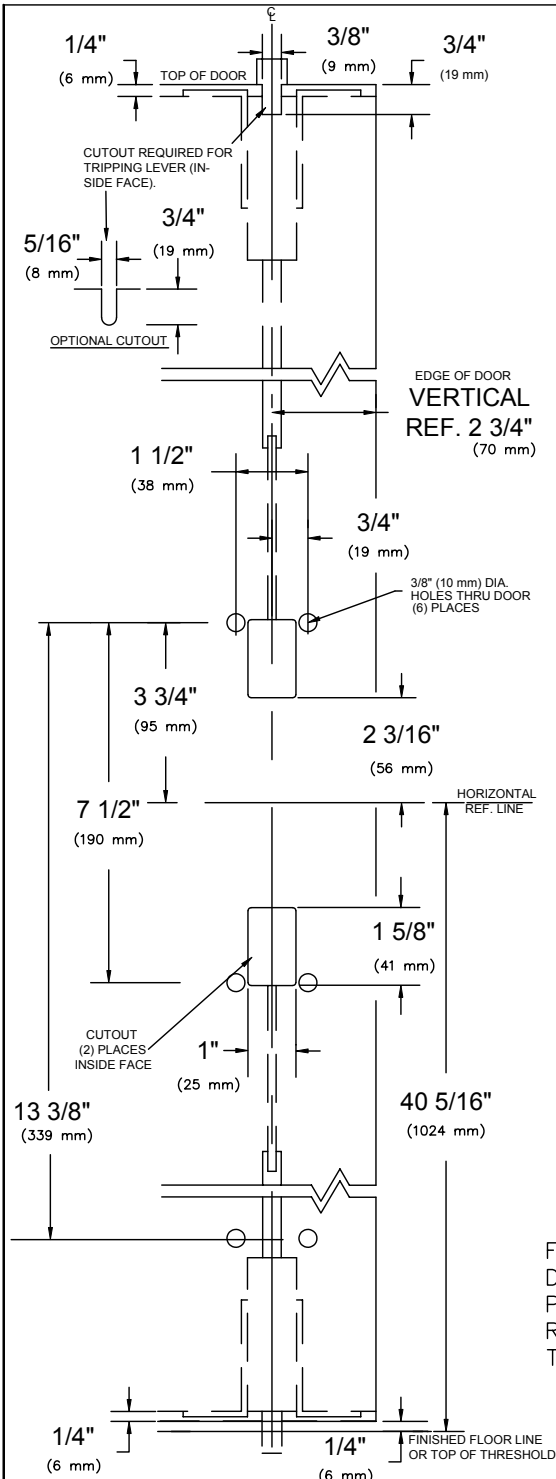


RHR SHOWN LHR OPPOSITE




FOR LESS BOTTOM ROD (LBR) DEVICES, DELETE BOTTOM LATCH PREP. POPPER REQUIRED ON FIRE RATED DEVICE, SEE TEMPLATE T-4012.

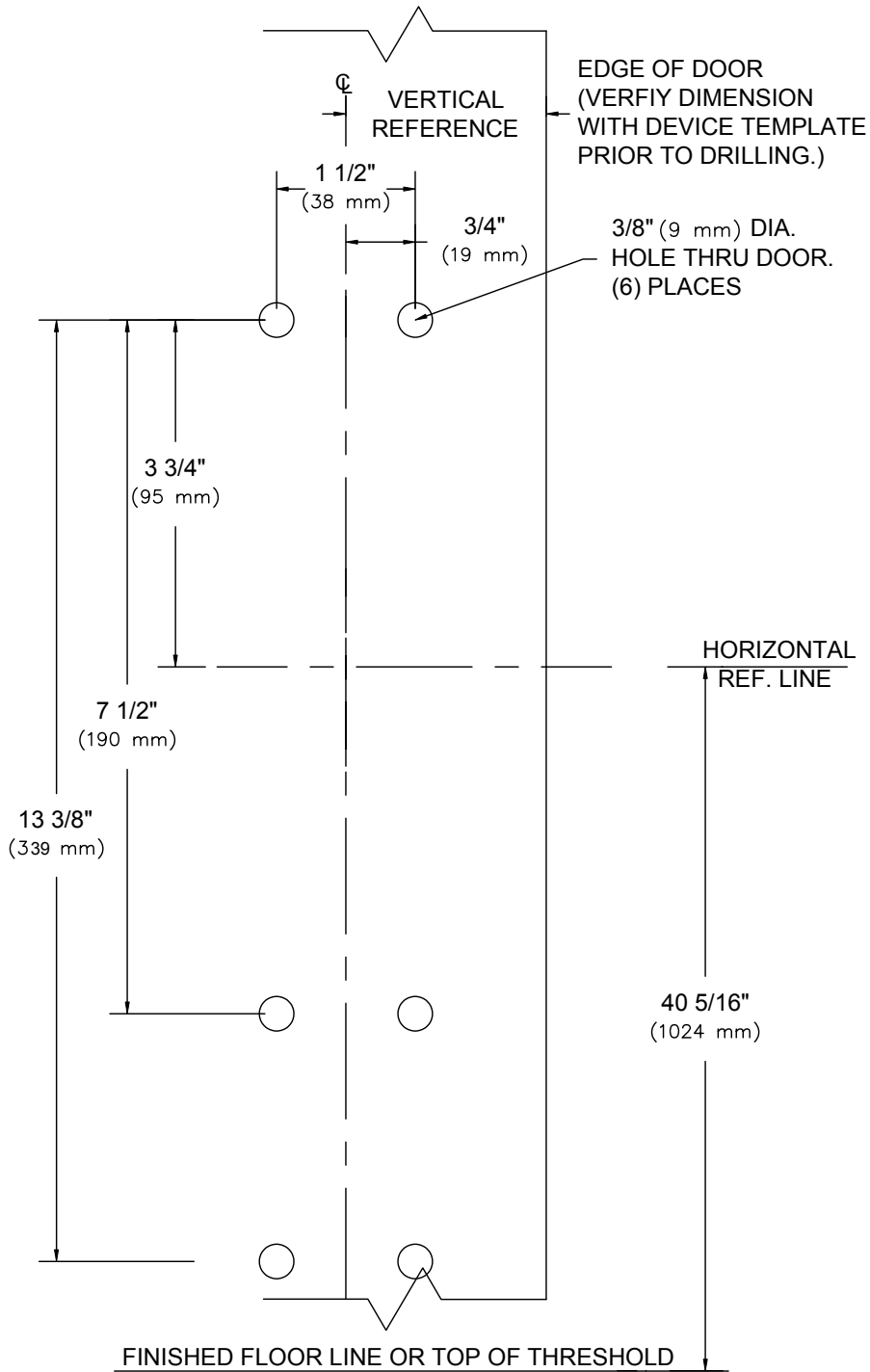
NOTES:

1. SEE T-9118WD FOR ROUTING INSTRUCTIONS.
2. SEE ADDITIONAL TRIM TEMPLATE WHEN REQUIRED.
3. SEE ADDITIONAL TEMPLATES FOR FIRE CHANNEL EDGE PREP.
3. DEVICE WILL COVER STANDARD SDI CUTOUT.

| VERTICAL REFERENCE | MINIMUM STILE WIDTH |
|--------------------|---------------------|
| 2 3/4" (70 mm) | 4 3/16" (106 mm) |


| | | |
|-------------------------------------------------------------------------------------|-----------------------------------------------------------------------------------------------------------------------------------------------------|----------------------------------|
| REV. No. 6 | REVISION: Trim Designation | DATE: 12-31-03 |
|  | 9100 & F9100 x VODTCV or NPTDTCV 9100 & F9100 x V102CV or V302CV 9100 & F9100 x PTT02CV or PRT02CV VERTICAL ROD EXIT DEVICE (Wood Door) | TEMPLATE NUMBER T-9111WD ⑥ |

RHR SHOWN
LHR OPPOSITE



NOTES:

1. SEE MASTER SHEET #T-0001 FOR SUGGESTED DOOR REINFORCEMENT.
2. SEE ADDITIONAL DEVICE TEMPLATE WHEN REQUIRED.
3. "T" STYLE TRIM WILL COVER STANDARD SDI CUTOUT.

| | | |
|-------------------------------------------------------------------------------------|-----------------------------------------------------------------------------|-------------------------------------|
| REV. No. 6 | REVISION: Trim Designation | DATE: 12-31-03 |
|  | <p>VODTCV OR NPTDTCV V102CV, V302CV, PTT02CV & PRT02CV TRIM</p> | <p>TEMPLATE NUMBER T-9014 ⑥</p> |