

Installation Instructions

8000 Series Exit Device, End Cap Replacement



Important Installation Note:

DORMA made a change to the end cap design on all 8300, F8300, 8400 & F8400 series exit devices.

The one piece end cap was replaced by a two piece design. This two piece end cap design will retrofit to all 8000 series exit devices.

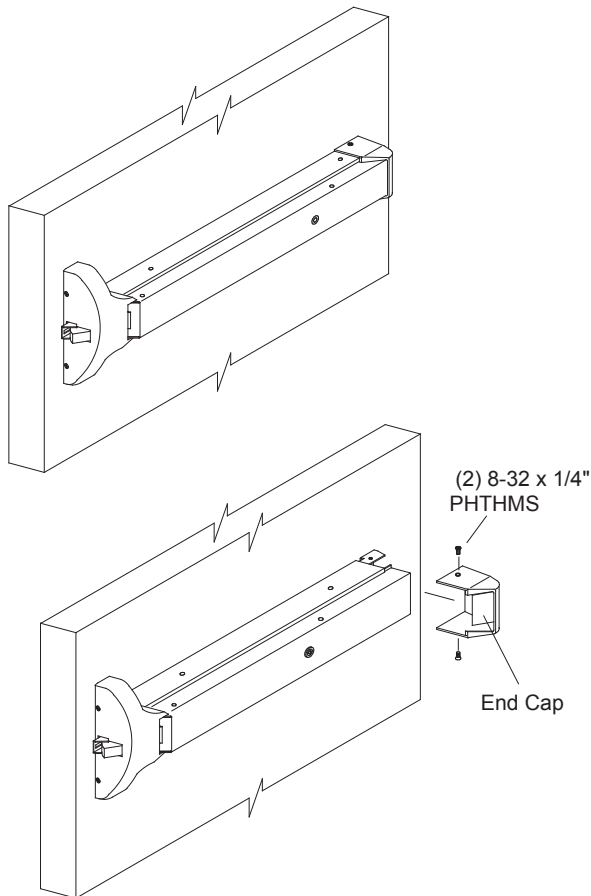
Included with Kit:

- End Cap (1) 95056429
- End Cover (1) 95056428
- #8 x 1" PHFHTS (2) 95046469
- 8-32 x 1/4" PTHMS (2) 95046023
- Instructions (1) 95057456

Installation

1. Layout all parts and check that there no parts missing.
2. Remove (2) existing 8-32 x 1/4" PTHMS screws from existing end cap, as shown.
3. Install new end cap over edge of touch bar, by sliding slotted portion over top edge & into touch bar. (Touch bar may have to be spread apart at lip end to fit.) Secure with (2) #8 X 1" PHTS screws as shown.
4. Install end cover by sliding it over existing bracket and edges of rail. Secure with (2) existing or new 8-32 x 1/4" PTHMS.
5. Once installed depress touch bar and rail to ensure proper function.

One piece end cap used on all 8000 Series exit devices manufactured up to 11/30/2009



Two piece end cap used on all 8000 Series exit devices manufactured after 12/01/2009

