

8600 EMR

Surface Applied Closer with Detector

Installation instructions

08281010 – 03-2020

| EN |





dormakaba 

Table of contents

1	Technical specifications	3	5	Maintenance	19
1.1	Overview	3	5.1	Maintaining the detector	19
1.2	Preparation notes	3	5.2	Measure and record test voltage	19
2	Installation instructions	4	5.3	Vacuum detector	20
2.1	Installing track to frame	4	5.4	Final steps	20
2.2	Install detector	4	5.5	Smoke detector testing	21
2.3	Installing the slide channel	4			
2.4	Install closer to door	5			
2.5	Secure main arm	6			
2.6	Secure arm to slide shoe	6			
3	Adjustments	7			
3.1	Adjust closing speeds: sweep, latch, backcheck, delayed action	7			
3.2	Adjust spring force	7			
4	Wiring	8			
4.1	Electrical specifications	8			
4.2	Power supply 120 VAC, 50/60 HZ	9			
4.3	Power supply 24V AC/DC	9			
4.4	Power supply 24V AC/DC with remote detectors	10			
4.5	Wire gauge	11			
4.6	SD-2 detector to main electromagnet connection	12			
4.7	SD-2 detector to auxiliary solenoid connection	12			
4.8	Solenoid attachment to UL/ULC listed alarm control panel	12			
4.9	SD-2 detector interconnection	13			
4.10	SD-2 detector to remote area detector	14			
4.11	SD-2 detector to audible signal appliance	14			
4.12	SD-2 detector to remote alarm indicator lamp	15			
4.13	Alarm initiation wiring (4 wire class B & 6 wire class A)	15			
4.14	SD-2 detector sensitivity test (ULC required only)	17			
4.15	Hold open	17			
4.16	Check connections	17			
4.17	Engage hold open	17			
4.18	Reset detector	18			
4.19	Install detector cover	18			
4.20	Install cover	18			
4.21	Auxiliary stops	19			
4.22	Unit testing	19			

1 Technical specifications

1.1 Overview

-  Each 8600 EMR series unit contains a door closer, hold open electromagnet, and smoker detector. The unit can be used as a single installation or as a series of singles powered from one or more power supplies. When a series of 8600 EMR units are wired together in a run, groups of up to 5 units may be interconnected. Interconnection is accomplished through terminals #4 and #15 and results in all units alarming when any one of them senses smoke. In turn, all associated hold open electromagnets are de-energized. Within any run of detected units, it is permissible to form as many interconnected groups as the total power supply amperage will allow; but, again no more than 5 units can be interconnected together.
-  Any detectors 8600 EMR series unit can be connected to an auxiliary EMF non-detected unit, or remote detector, or both. It can be a single installation or part of any of the multiple arrangements described above. An auxiliary unit (double door applications) is a companion to the main unit, and its electromagnet de-energizes along with the main unit. A remote open area detector sensing smoke alarms the 8600 EMR to which it is connected and any other 8600 EMR to which it is interconnected.
-  Single installations or groups of installations can be connected to the alarm initiation circuit of a compatible UL/ULC listed fire alarm control unit in 4-wire or 6-wire configurations.
-  Additional functions are provided to separately power the hold open electromagnets directly from the alarm control panel as well as connections for a remote alarm indicator lamp.

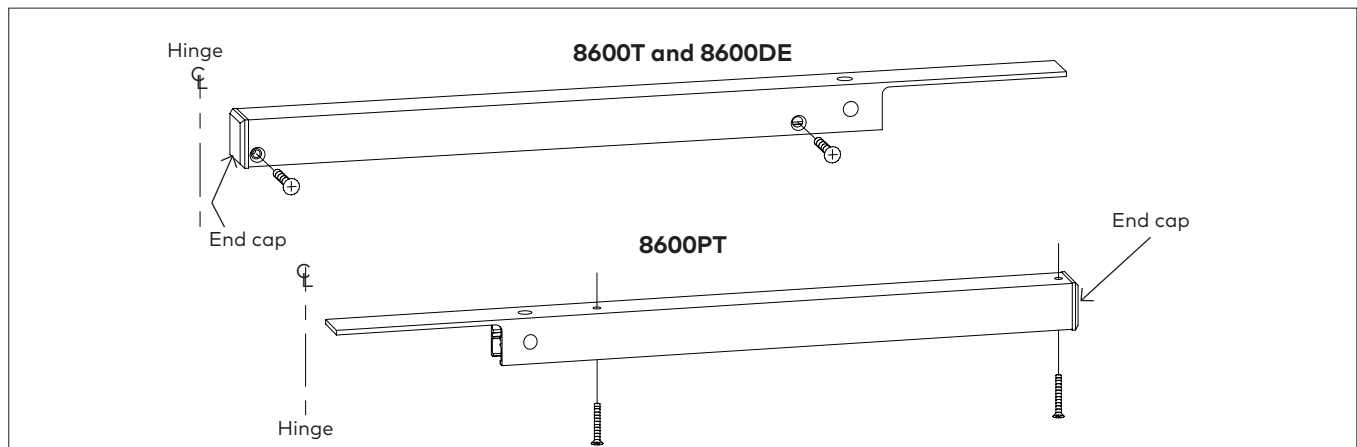
1.2 Preparation notes

1. Read entire instruction sheet prior to installation and refer to NFPA 72E. Standards may be obtained from THE NATIONAL PROTECTION ASSOCIATION, Batterymarch Park, Quincy, MA 02269.
2. Reference unit carton for unit mounting type.
3. Prepare door and frame for fasteners using the appropriate template. Mark, drill, and tap holes as indicated. If surface wiring is used, omit 7/8" hole for wire access.

2 Installation instructions

2.1 Installing track to frame

Fig.1



2.1.1 8600T and 8600DE:

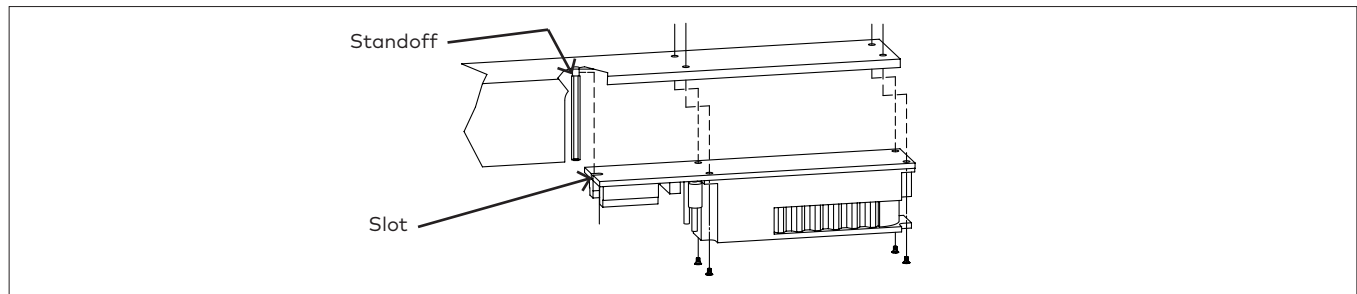
- Install with detector cut-out toward latch edge of door.
- Use two 1/4-20x2" metal or two No. 14x2-3/4" wood screws.

2.1.2 8600PT:

- Install with detector cut-out toward latch edge of door.
- Use two 1/4-20x2" metal or two No. 14x2-3/4" wood screws.

2.2 Install detector

Fig.2

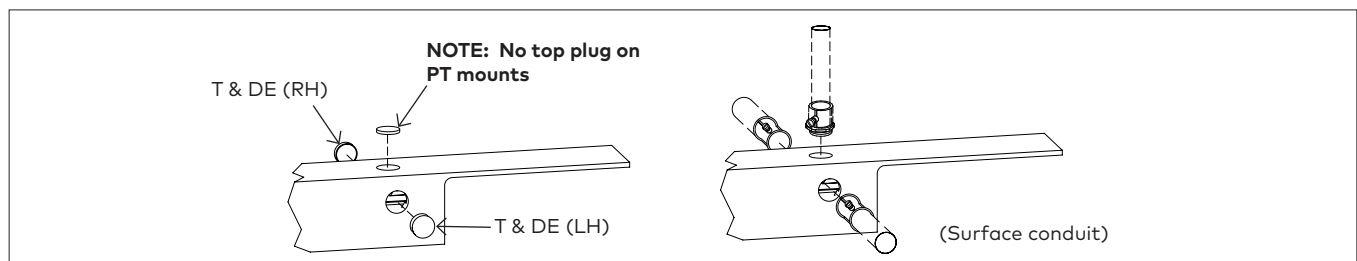


- ### 2.2.1
- Slide detector slot under standoff and attach with four screws.

NOTE: If construction is still being completed near detector installation "DO NOT" install detector at this time, or protect the detector from construction dust contaminants.

2.3 Installing the slide channel

Fig.3

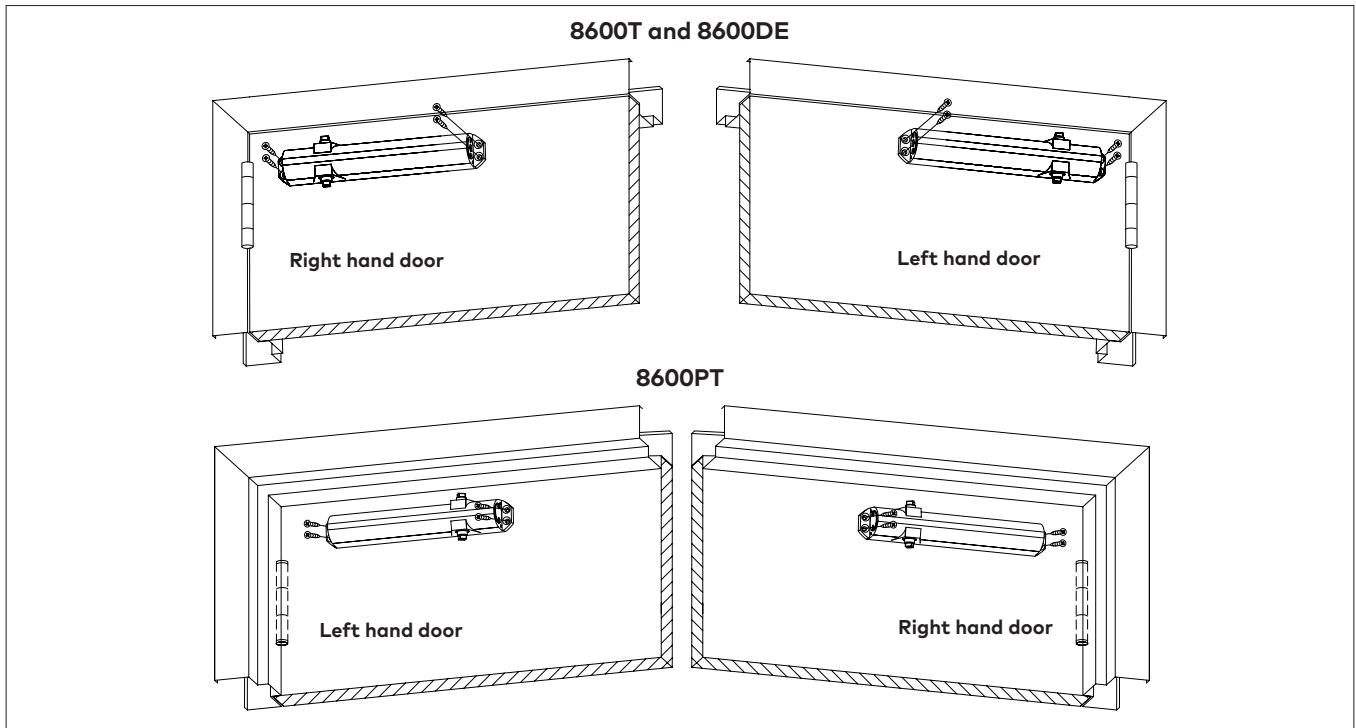


- ### 2.3.1
- Remove one wire access plug according to the installation type.

NOTE: Three access wire holes on optional surface wired units only.

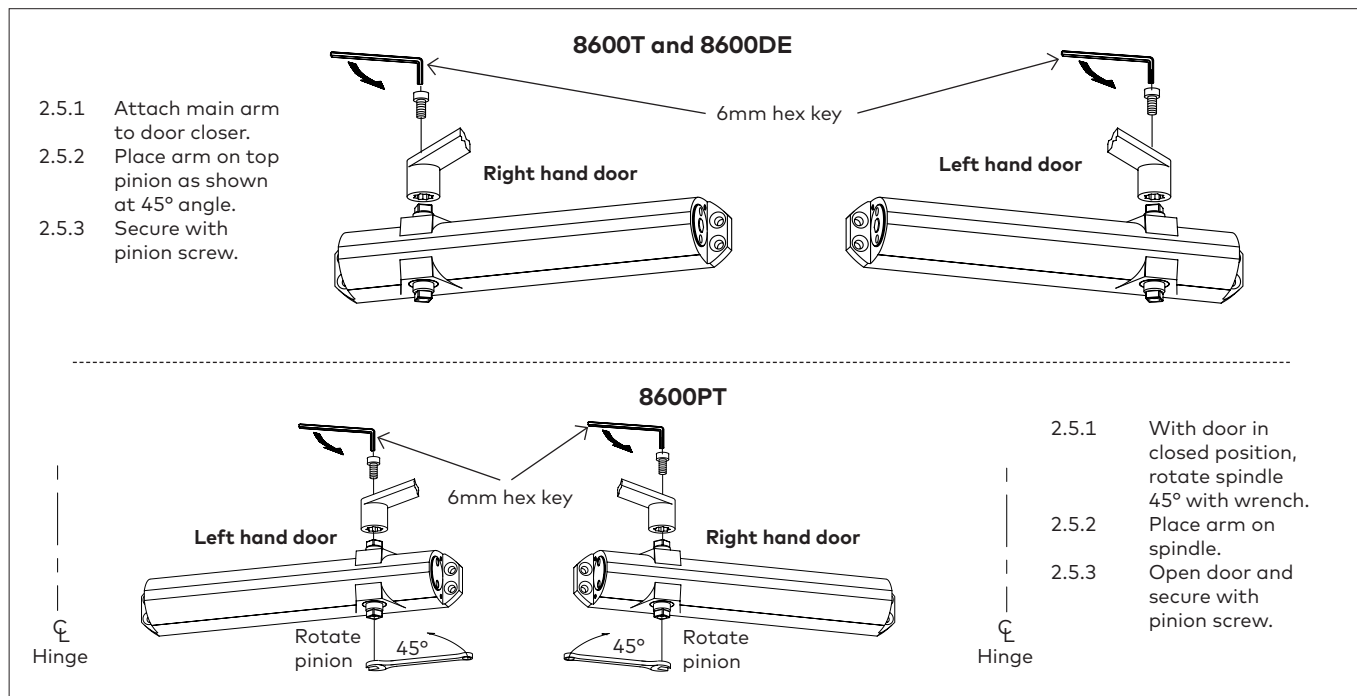
2.4 Install closer to door

Fig.4



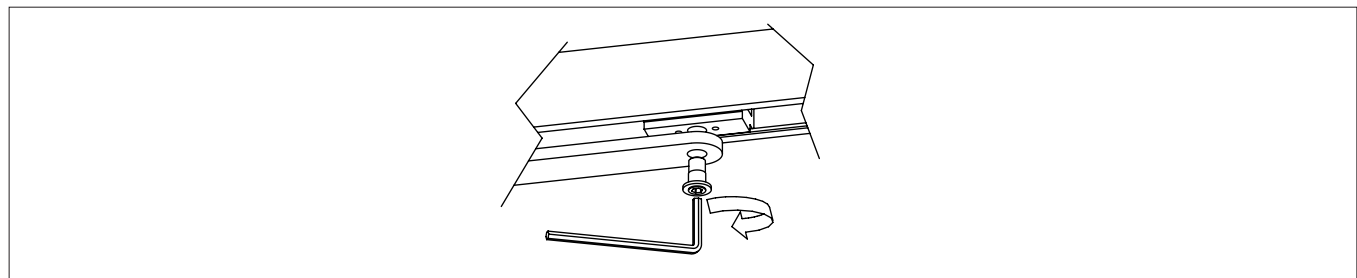
2.5 Secure main arm

Fig.5



2.6 Secure arm to slide shoe

Fig.6



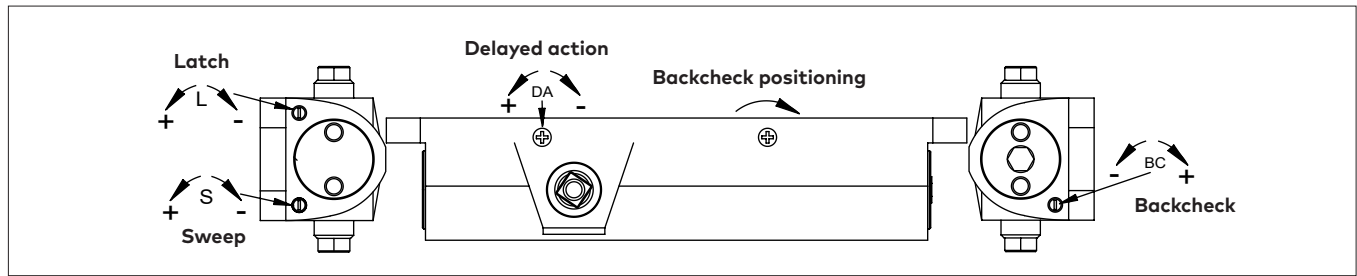
2.6.1 Secure arm to slide shoe.

2.6.2 Use 3/16" hex head wrench.

3 Adjustments

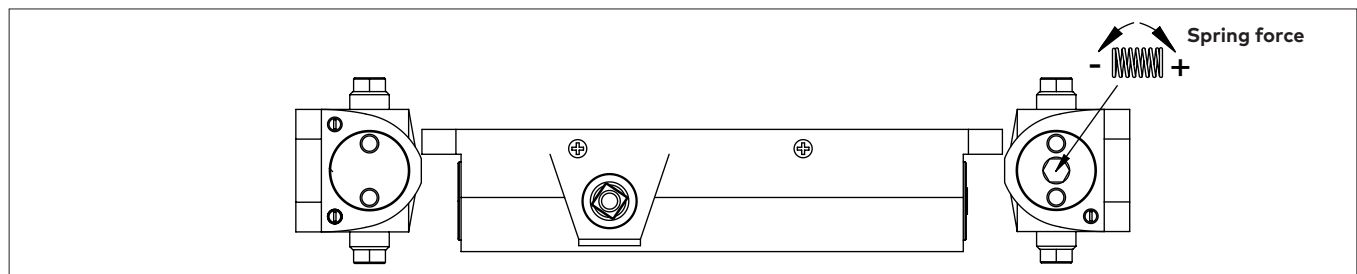
3.1 Adjust closing speeds: sweep, latch, backcheck, delayed action

Fig.7



3.2 Adjust spring force

Fig.8



	Closer size	Max door weight (lbs)	Door width		Full turns
			Interior	Exterior	
8616	3	100	2'6"		-11
	4	125	3'	2'6"	0
	5	150	3'6"	3'	+5
	6	200	4'	3'6"	+13
8656	5	150	3'6"	3'	-7
	6	200	4'	3'6"	0

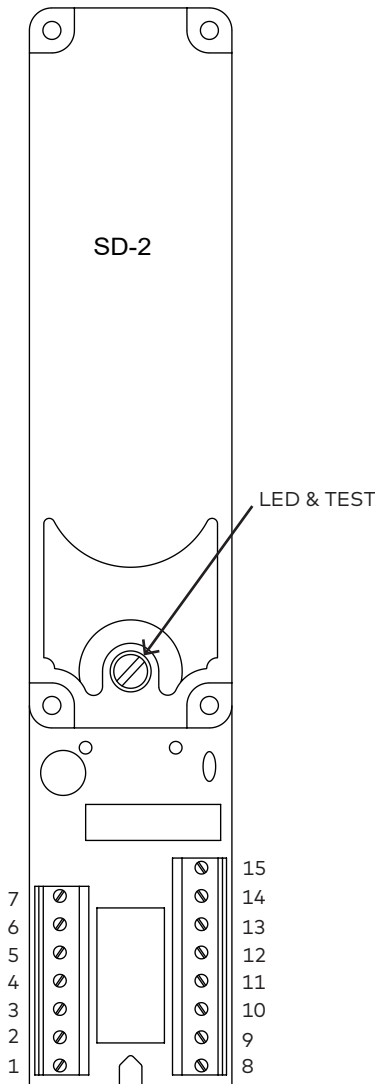
4 Wiring

4.1 Electrical specifications

Fig.9

**WIRE THE UNITS ACCORDING TO BUILDING AND SYSTEM REQUIREMENTS.
OBSERVE ALL APPLICABLE CODES.**

Voltage input	24 VDC +10% - 15% 24 VAC +10% - 15%
	NOTE: 120 volt applications require optional external transformer
Maximum input current	@24 VDC- 161 mA (1 solenoid), 310 mA (2 solenoids) @24 VAC- 161 mA (1 solenoid), 310 mA (2 solenoids)
	NOTE: Excludes accessories
Maximum output to remote alarm indicator lamp	300 mA
Contact ratings	Alarm and or accessory contacts - 1.25 A at 24 VDC or .3 A at 120 VAC resistive, maximum. Trouble contacts - 500 mA at 24 VDC resistive, maximum.



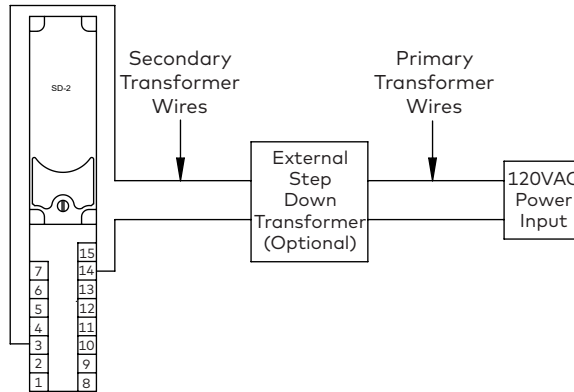
Detector connection list

Function	Terminal
AC/DC 24V INPUT	3, 14
ALARM CONTACTS (NORMALLY OPEN)	1, 2
ELECTROMAGNET	6, 9
REMOTE ALARM INDICATOR LAMP +	8
REMOTE ALARM INDICATOR LAMP -	7
INTERCONNECT +	15
INTERCONNECT -	4
TROUBLE CONTACTS (NORMALLY CLOSED)	5, 13
24 VDC OUTPUT (UNFILTERED) +	10
IF JUMPER WIRE J11/J12 IS CUT, TERMINALS 8, 9 AND 10 ARE CHANGED TO FORM C RELAY CONTACTS, RAIL OUTPUT IS LOST, AND HOLD OPEN ELECTROMAGNETS MUST BE POWERED FROM A SEPARATE SOURCE. CONSULT FACTORY IF REMOTE DETECTORS ARE USED IN THIS APPLICATION.	COM 10 N.C. 9 N.O. 8

4.2 Power supply 120 VAC, 50/60 HZ

Fig.10

120 VAC, 50/60 HZ: Connect the 120 VAC incoming voltage wires to the primary wires of the transformer. Connect the secondary transformer wires to terminals #3 and #14 of the detector module. This connection is not polarity dependent.

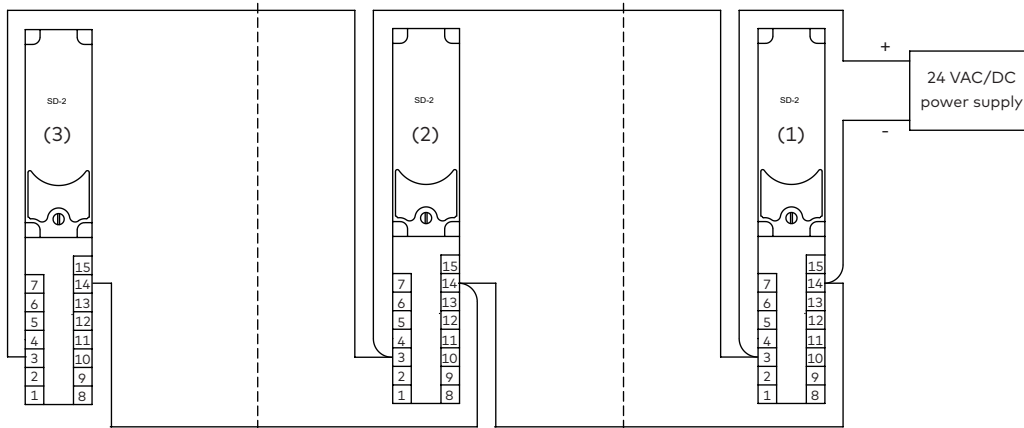


Note: For ULC installation, transformer must install in 4" x 4" electrical box x 3" deep minimum.

4.3 Power supply 24V AC/DC

Fig.11

24V AC/DC: The step down transformer is not used in this connection. Connect 24V AC/DC power to terminals #3 and #14 on the detectors. These connections are not polarity dependent. If the unit is connected to a second unit, connect terminal #3 of the first unit to terminal #3 of the second unit and connect terminal #14 of the first unit to terminal #14 of the second unit. Continue this process for any subsequent units to be powered from the same power supply.

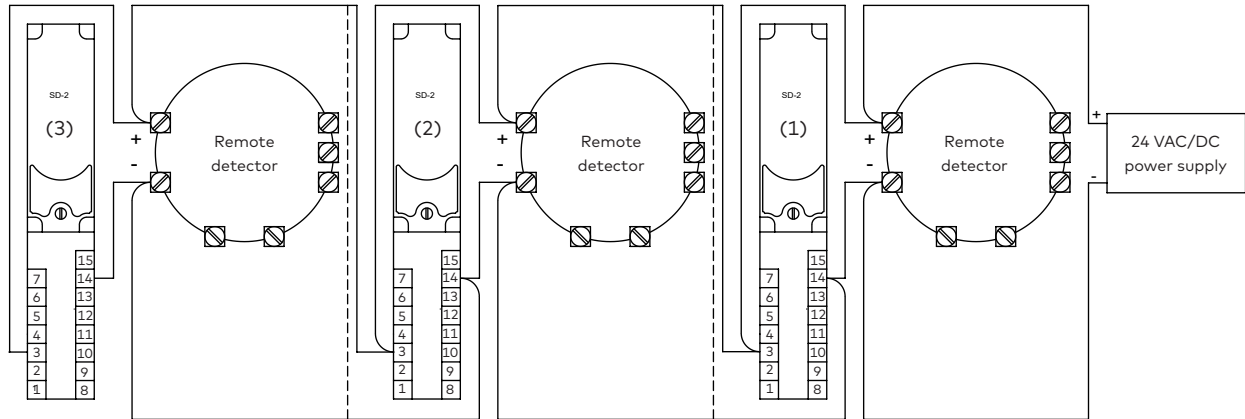


4.4 Power supply 24V AC/DC with remote detectors

Fig.12

24V AC/DC with remote detectors: The step down transformer is not used in this connection. Perform wiring connections as illustrated below. Additional units are wired in the same manner as unit #2. Installations using a combination of SD-2 modules with and without remote area detectors can be wired accordingly by substituting the wiring diagram section from unit #1, #2, or #3 in step #3 above instead of unit #1, #2, or #3 below with remote detector. The vertical dashed lines indicate where one diagram would be exchanged for another.

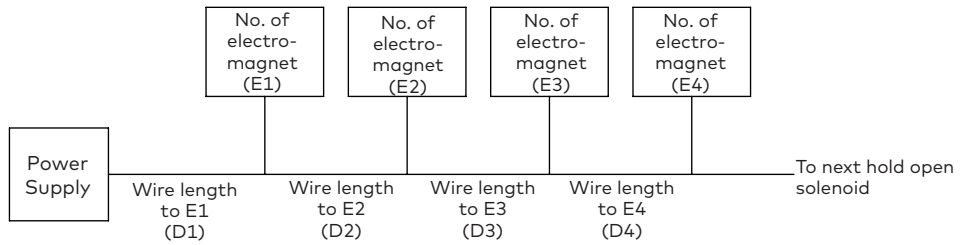
NOTE: Input voltage must match detector voltage.



4.5 Wire gauge

Fig.13

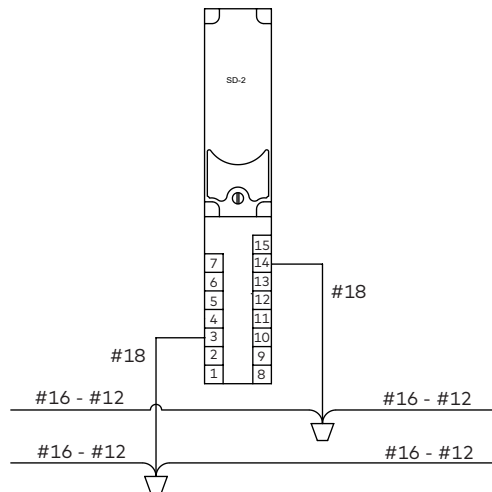
Wire gauge: The maximum wire gauge for wiring the SD-2 detector module is #18 AWG. The method for determining wire gauge is given below. NOTE: A minimum of 20.4 VDC must be supplied to each solenoid in the run.



S1, S2, S3, etc. are the number of solenoids at each subsequent station. D1 is the distance from the power supply to the first solenoid station. D2, D3, D4, etc. are the distances from the previous solenoid station to the next solenoid station in the run. To determine the correct wire gauge multiply E1 times D1. Add that quantity to E2 times D2. Repeat the same procedure for each electromagnet to test the last unit in the run. Compare the quantity calculated to the chart below. The calculated value must be less than or equal to the value corresponding to the appropriate wire gauge.

10 GAUGE-11,788 12 GAUGE-7,407 14 GAUGE-4,669 16 GAUGE-2,997 18-GAUGE-1,843

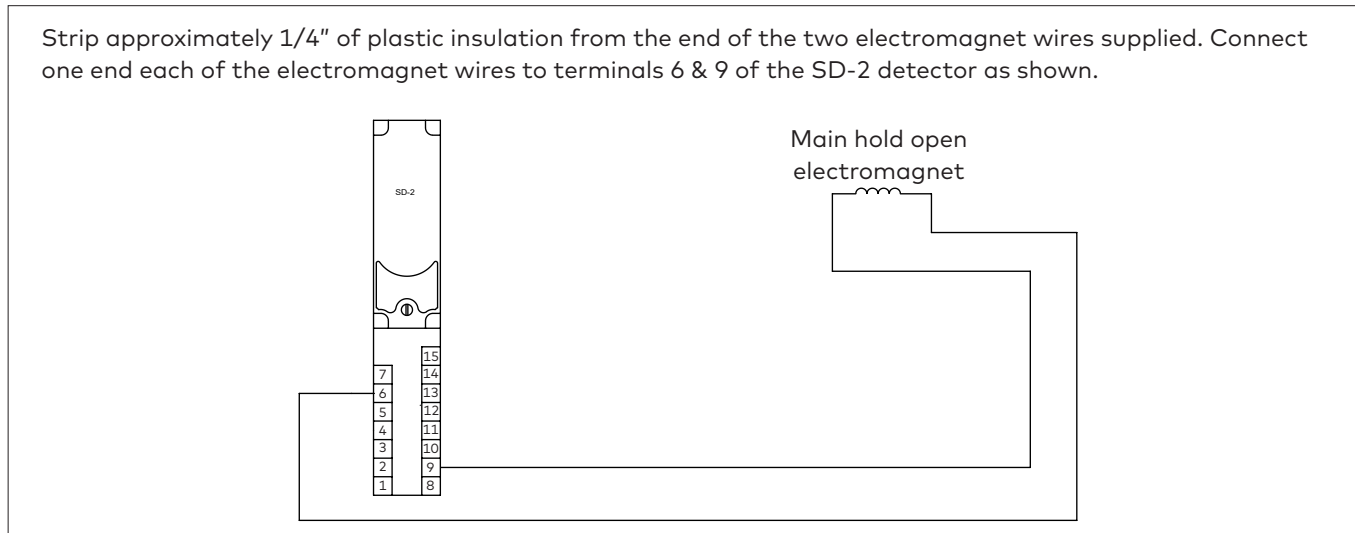
The procedure described above can be expressed in the following equation: $(E1 \times D1) + (E2 \times D2) + (E3 \times D3) + \dots + (En \times Dn)$. The above values correspond to the wire gauge to be used. If the calculated value is 1,843 #18 AWG wire can be run and connected directly to the detector module. If the calculated value exceeds 1,843 larger wiring will be required. Since the detector will only accept #18 AWG wire, a wiring splice will be necessary as illustrated below.



NOTE: For ULC installations, 18 gauge wire is required to detector.

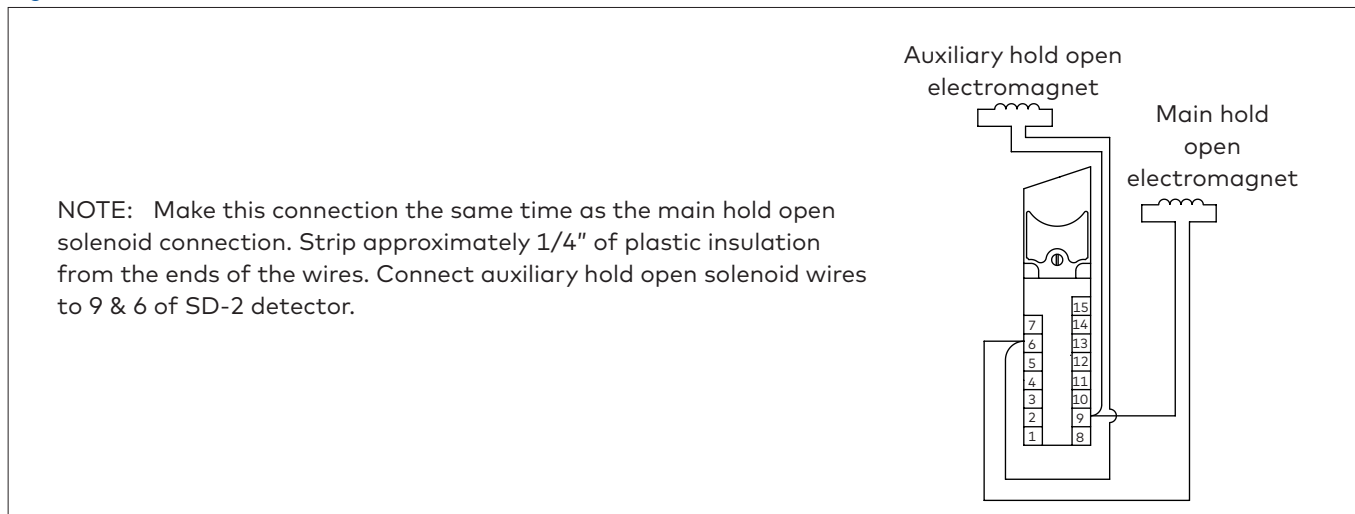
4.6 SD-2 detector to main electromagnet` connection

Fig.14



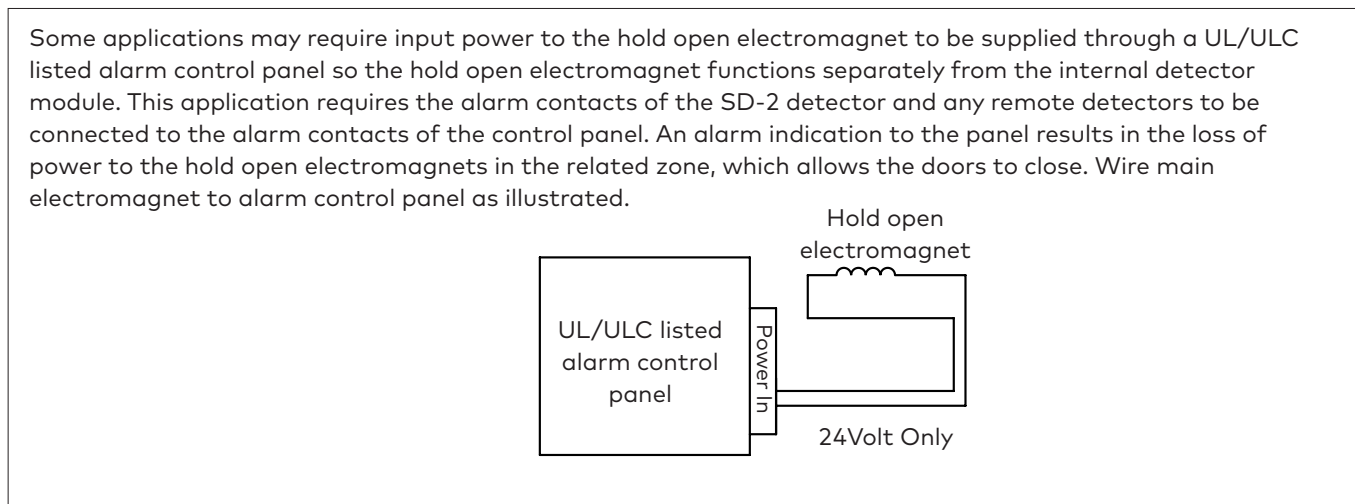
4.7 SD-2 detector to auxiliary solenoid connection

Fig.15



4.8 Solenoid attachment to UL/ULC listed alarm control panel

Fig.16

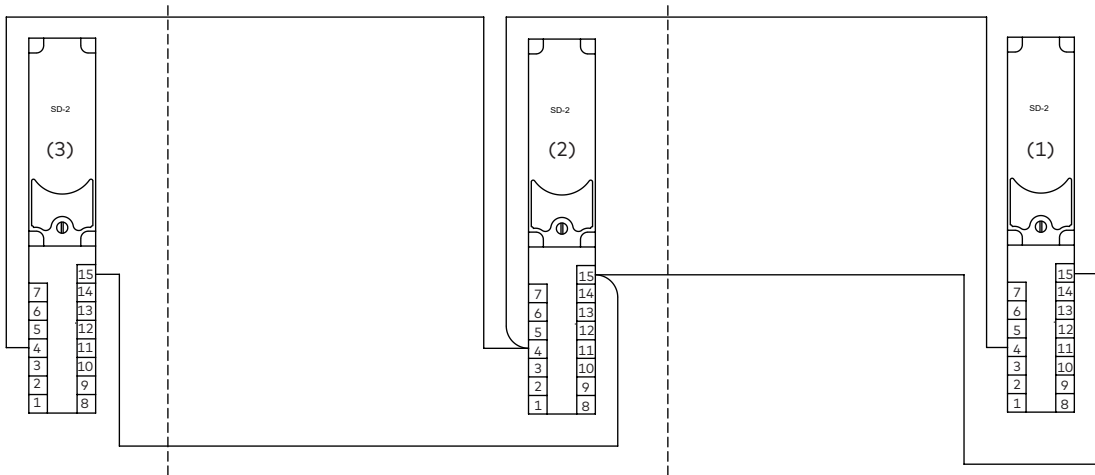


4.9 SD-2 detector interconnection

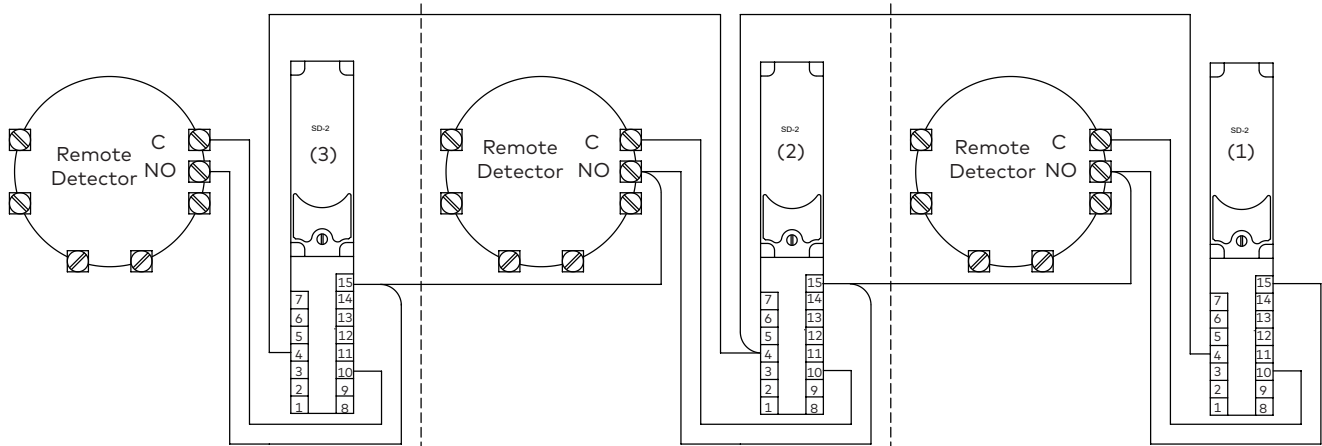
Fig.17

1. Up to (5) SD-2 detectors, with or without connection to an auxiliary unit or remote area detector may be interconnected. This limitation applies only to interconnected units and assumes a power supply large enough to handle this load if the power supply is common to all units interconnected. Separate power supplies may be used for each SD-2 detector while permitting the units to be interconnected.

2a. For units without connection to remote detectors, connect terminal #15 (+) between the units to be interconnected. Connect terminal #4 (-) between the units to provide a common for the interconnection. Additional units are wired in the same manner as unit #2 but no more than five (5) units can be interconnected.

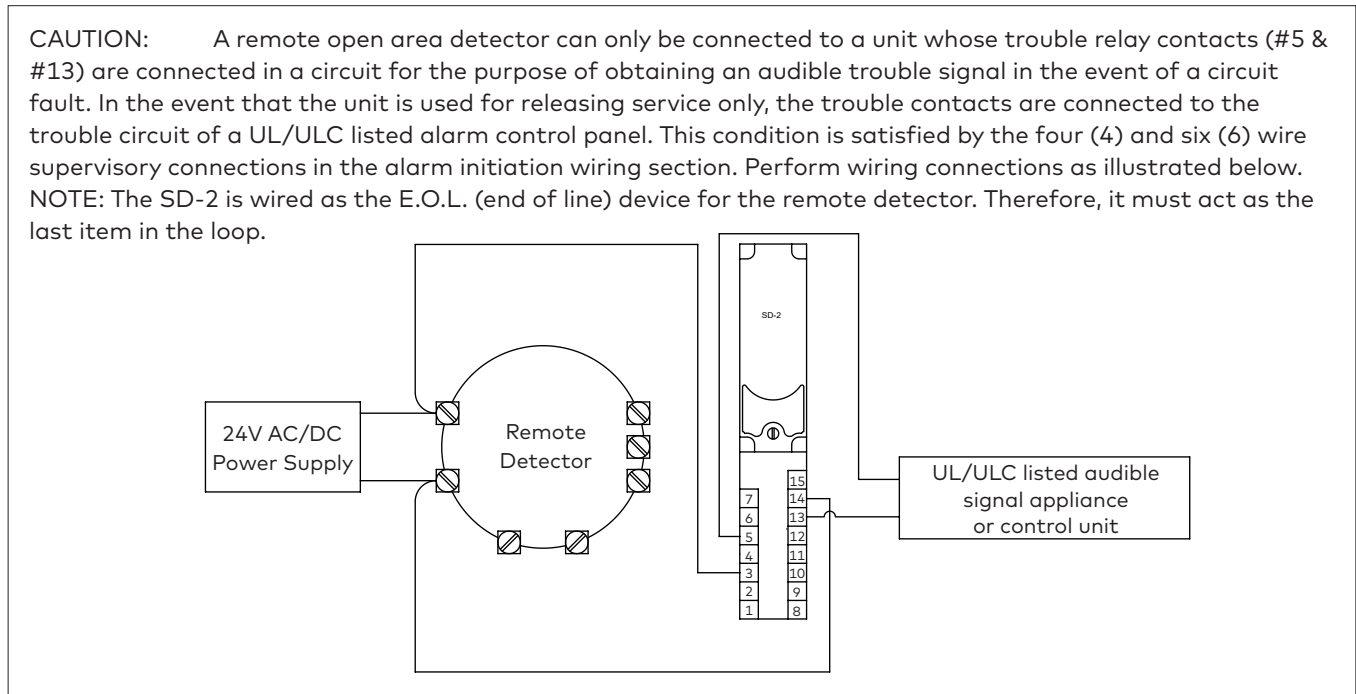


2b. For units used in conjunction with remote area detectors, complete wiring connections as illustrated below. Heed caution note in SD-2 DETECTOR TO REMOTE AREA DETECTOR section of instruction sheet. Additional units are wired in the same manner as unit #2 but no more than five (5) units can be interconnected. Installations using a combination of SD-2 detector modules with or without remote area detectors can be wired accordingly by substituting the wiring diagram from unit 1, 2, or 3 in step 2a. above for unit 1, 2, or 3 below. The vertical dashed lines indicate where one (1) diagram would be exchanged for another.



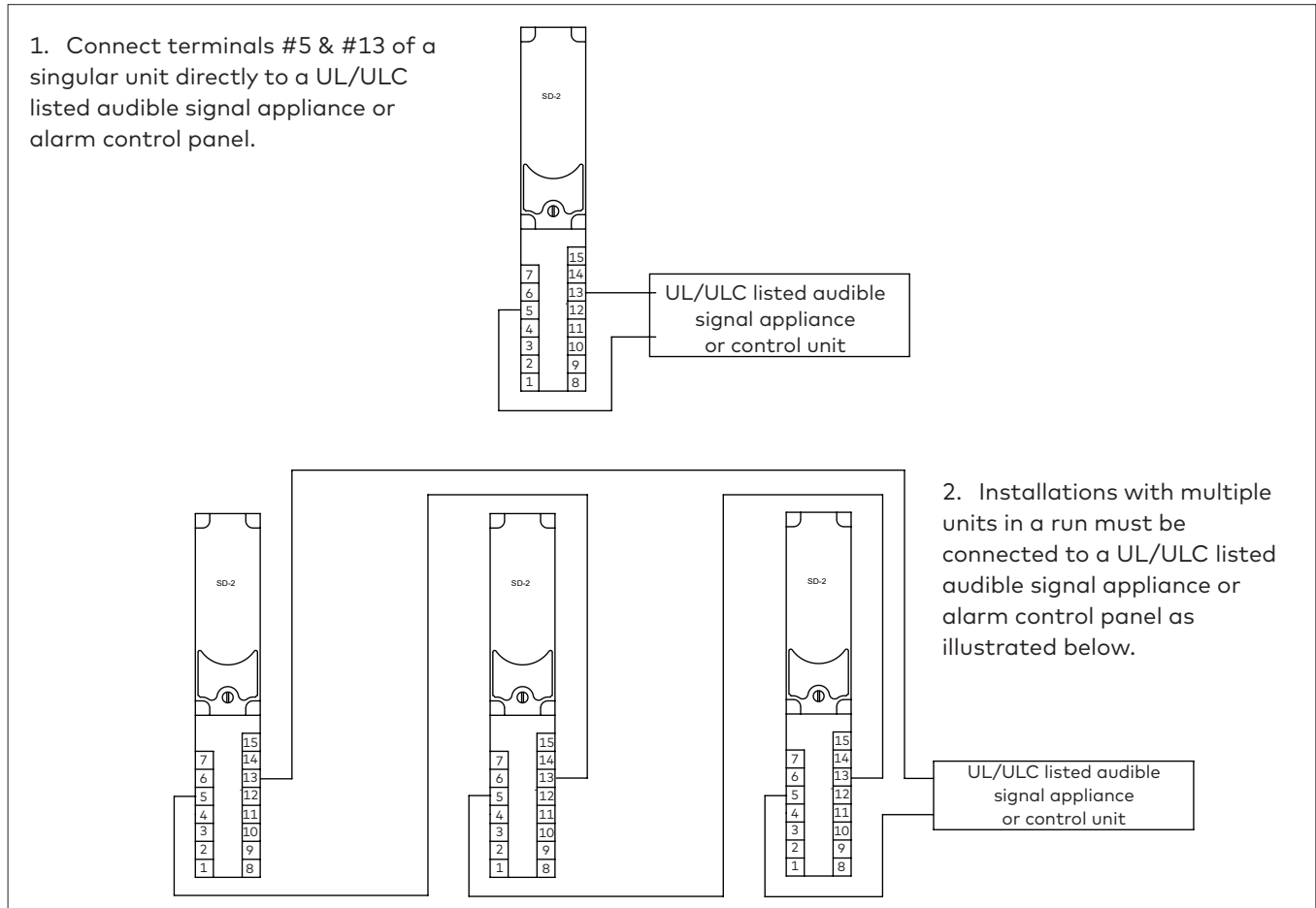
4.10 SD-2 detector to remote area detector

Fig.18



4.11 SD-2 detector to audible signal appliance

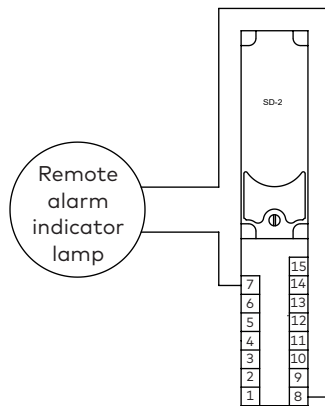
Fig.19



4.12 SD-2 detector to remote alarm indicator lamp

Fig.20

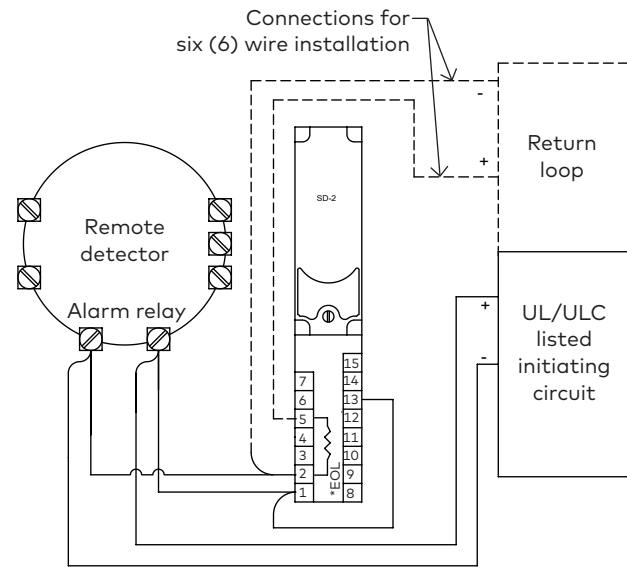
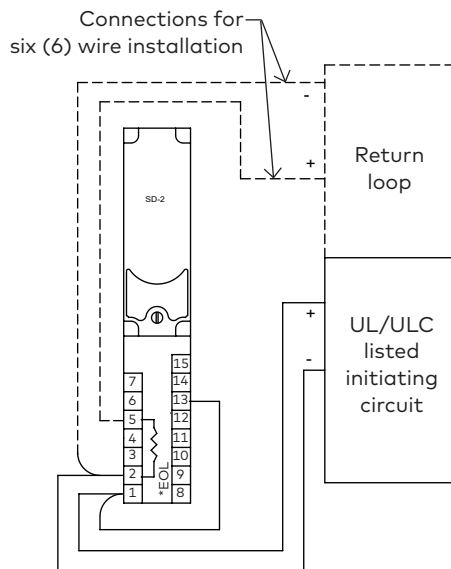
Connect the positive wire of the remote alarm indicator lamp to terminal #8 of the detector module. Connect the negative terminal of the indicator lamp to terminal #7 of the SD-2 detector.



4.13 Alarm initiation wiring (4 wire class B & 6 wire class A)

Fig.21

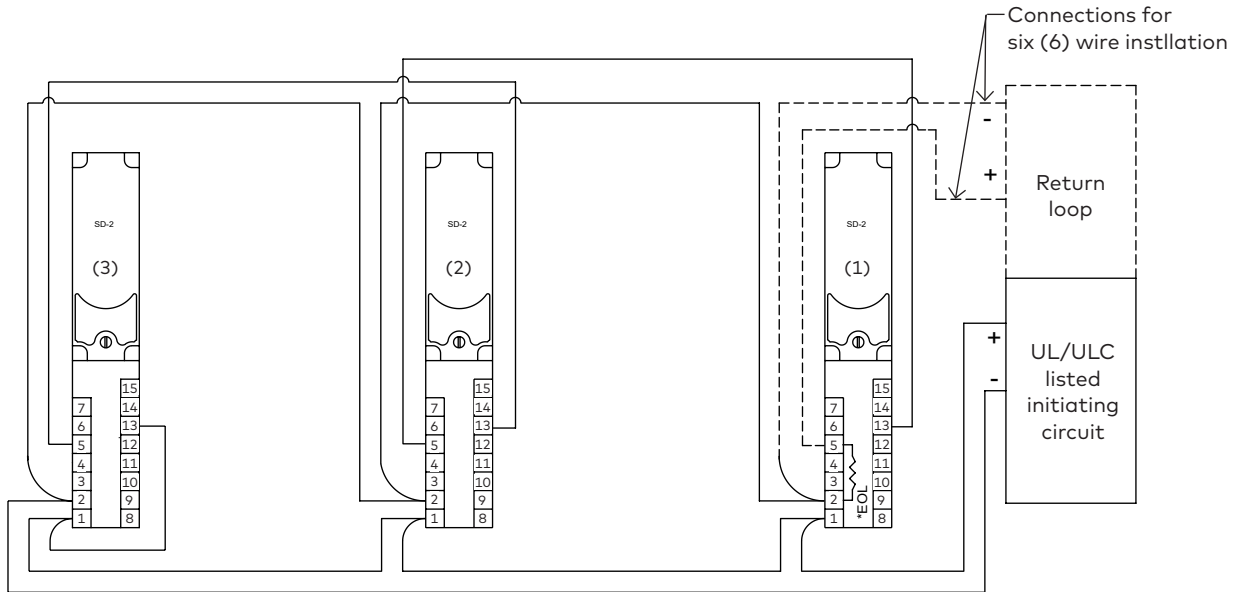
1. Make all connections as outlined previously for all units required by the job specifications.
2. Make all signal initiating connections as illustrated in the appropriate figure below. Note wiring differences for units with remote detectors vs. units without remote detectors. Dashed lines to return loop represent wires required for six (6) wire applications. These wires are omitted in four (4) wire applications.
3. Connections to only one (1) SD-2 are shown below.



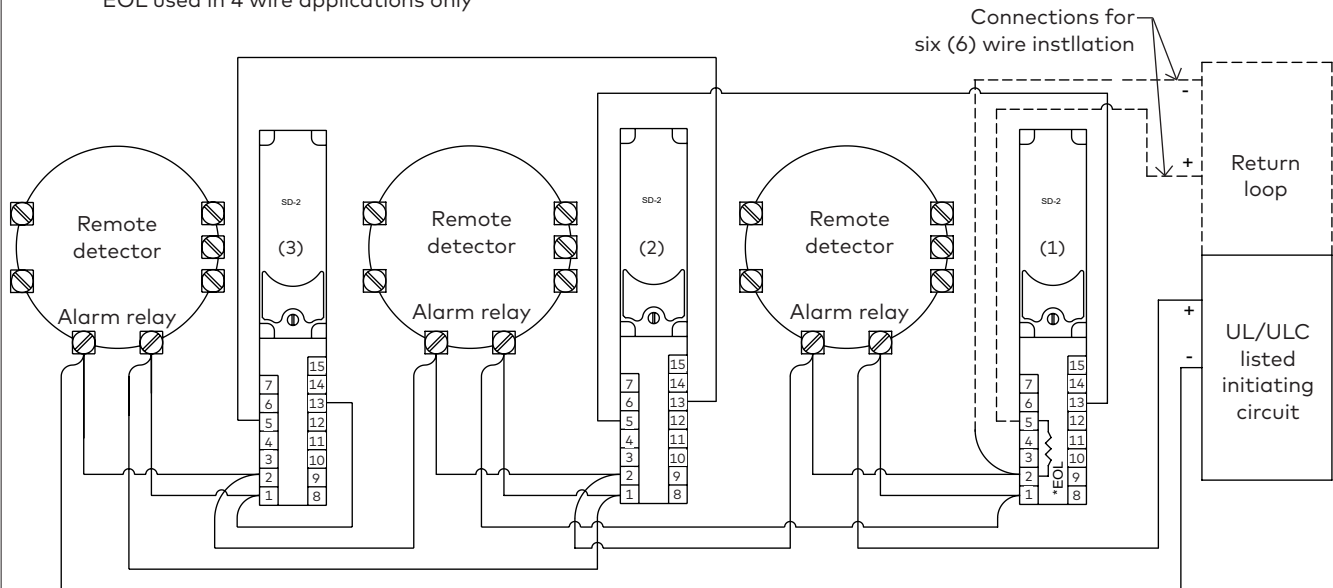
CONTINUED ON NEXT PAGE

Fig.22

4. Connections for two (2) SD-2 detectors would consist of detector (1) in figure below connected to detector (3) in the same manner as it is shown connected to detector (2). Detector (2) would be deleted.
5. More than three (3) SD-2 detectors are connected by inserting additional units with connections as shown for unit 2. The last unit in the run must be connected in the same manner as unit 3.



* EOL used in 4 wire applications only



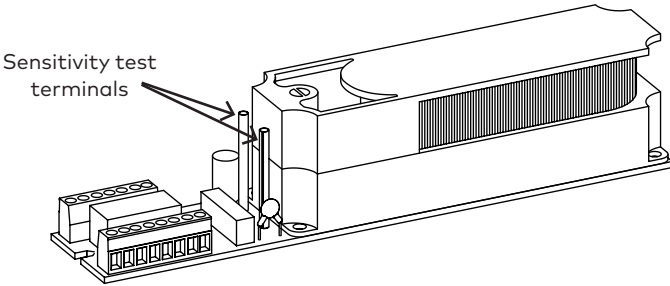
* EOL used in 4 wire applications only

6. In four (4) wire installations, it is the responsibility of the installer to supply and connect the E.O.L. resistor specified by the fire alarm control panel used. The E.O.L. resistor is only installed in the first unit of the run as illustrated.

4.14 SD-2 detector sensitivity test (ULC required only)

Fig.23

Voltage output terminals are provided to measure the sensitivity of the smoke detector. With power applied to the detector, connect a volt meter to the two test terminals. The normal range is between 1.27 - 3.38 Vdc.

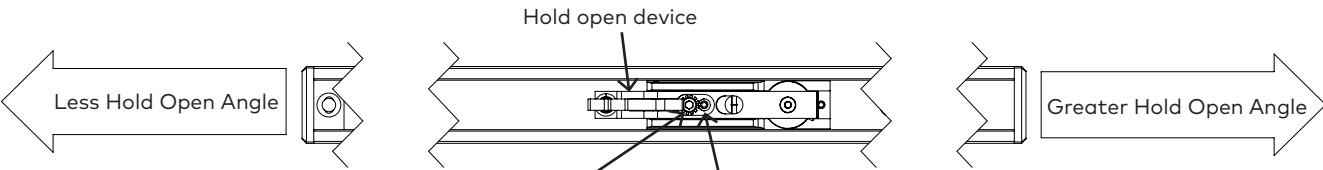


FINAL INSTALLATION AND TEST

4.15 Hold open

Fig.24

Hold open position is preset at approximately 90°. Loosen set screws using 3/32" hex wrench. Slide hold open device to desired position. Retighten set screws securely.



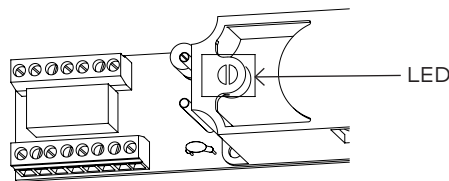
Hold open force adjustment - 5/32 hex.
Clockwise = stronger

Hold open set screws - 3/32" hex

4.16 Check connections

Fig.25

After installation is completed, check all connections. The LED will blink every seven (7) to ten (10) seconds to indicate the unit is operating properly.

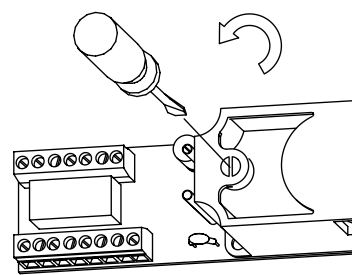


4.17 Engage hold open

Fig.26

Open door so slide shoe engages with hold open assembly.

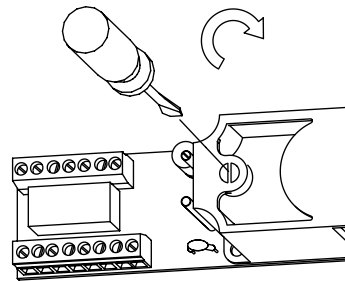
To test the detector, insert a small screwdriver into the slot in the light pipe of the detector. Turn counter-clockwise and hold for 10 seconds. The LED should remain continually red and allow the door to close.



4.18 Reset detector

Fig.27

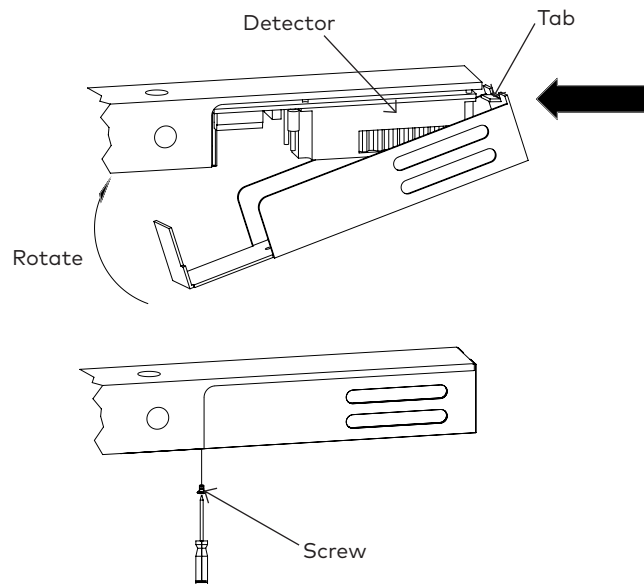
Turn light pipe clockwise to reset detector. The LED will go off. Turn the light pipe to the normal position and the unit will resume blinking every second (7) to ten (10) seconds to indicate that it is reset and functioning properly.



4.19 Install detector cover

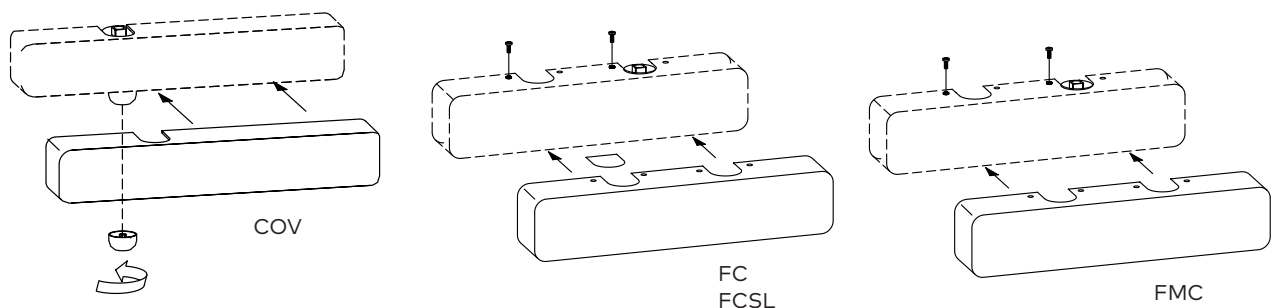
Fig.28

Install detector cover. Slide tab of cover under end of detector and rotate into position. Insert (1) 4-40 screw and tighten.



4.20 Install cover

Fig.29



4.21 Auxiliary stops

An auxiliary door stop (by others) must be installed to limit the maximum degree of door swing. Failure to do so may result in damage to the unit.

4.22 Unit testing

IMPORTANT: THE UNIT MUST BE TESTED AFTER THE INSTALLATION, BY THE END USER, TO ASSURE THAT THE DOOR CLOSER UNITS FUNCTION PROPERLY WHEN THE ALARM SYSTEM IS ACTIVATED. THE ENTIRE SYSTEM MUST ALSO BE TESTED PERIODICALLY AFTER THE INITIAL INSTALLATION TEST, IN CONJUNCTION WITH THE TESTING OF THE FIRE ALARM SYSTEM. THE END USER IS ALSO RESPONSIBLE FOR THE ADJUSTMENTS AND MAINTENANCE TO RETAIN THE SYSTEM IN WORKING ORDER.

5 Maintenance

5.1 Maintaining the detector

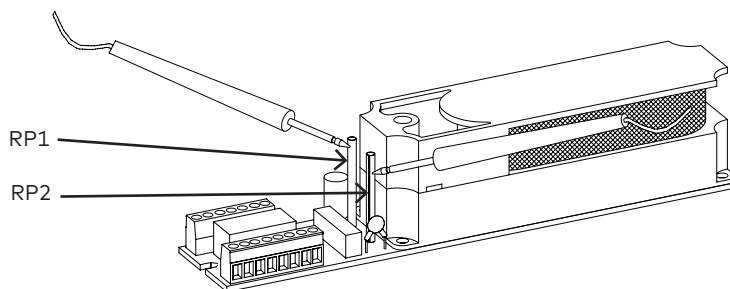
Fig.30

The SD-2 detector has been designed to be as maintenance-free as possible. Normal air-borne dust, however, can accumulate in the detector sensing chamber and cause it to become more sensitive. All detectors must be tested and cleaned at least once a year. Detectors in dusty environments must be tested and cleaned more often. Detectors must also be tested and cleaned immediately after a fire. Failure to maintain detectors may result in needless false alarms.

5.2 Measure and record test voltage

Fig.31

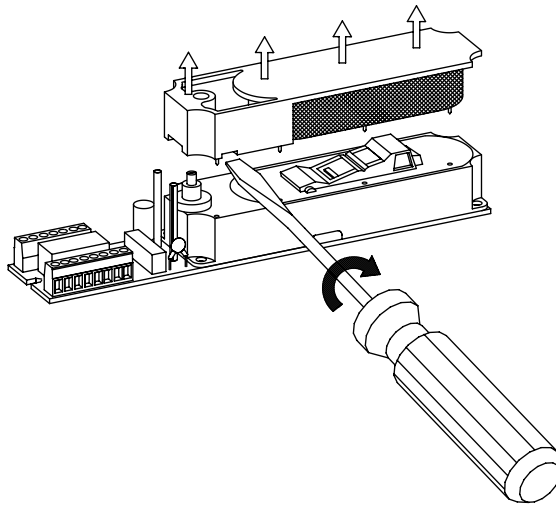
Measure and record test voltage at test points RP1 & RP2. This voltage is a small signal, DC voltage. Set meter to the 2 volt scale.



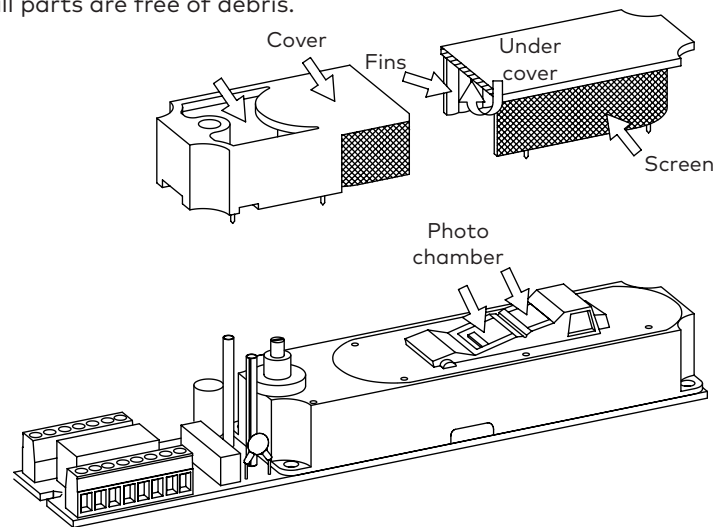
5.3 Vacuum detector

Fig.32

First, vacuum or blow off any loose debris on the outside of cover. Then remove the detector cover and screen assembly by rotating a flat screwdriver in slot (both sides) and pulling it straight up. Cover may be difficult to remove the first time.



Vacuum all areas illustrated below, and then blow off same areas with compressed air. Before reassembling the detector, be sure all parts are free of debris.



5.4 Final steps

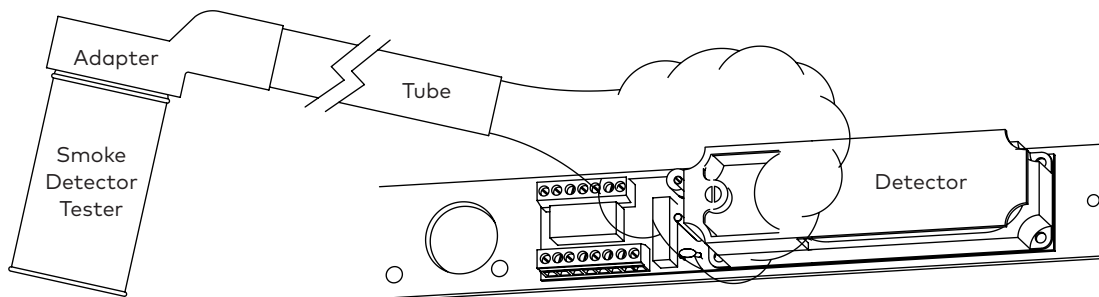
Replace cover and screen assembly.

Measure and record test voltage at test points RP1 & RP2. If the product is operating normally, and was cleaned effectively, the test voltage will be less than the voltage recorded earlier. (Typical voltage for a clean device is .9 - 1.58 Vdc.)

5.5 Smoke detector testing

Fig.33

Point the Smoke Detector Tester tube at the detector and release a burst of aerosol by depressing the nozzle for 1 second. Give the detector sufficient time to respond. This may be up to 20 seconds.



If the detector is in an area where air velocities exceed 100 feet/minute, the detector may not alarm on the first try. This could be due to the signal processing feature of the detector. Signal processing is a feature that adds a time delay to each detector which effectively increases its stability. If this is the case, spray in repeated bursts of 1 second at approximately 5 to 10 second intervals. The total number of sprays should not exceed five (5). If the detector does not alarm after 5 consecutive sprays, it will be necessary to generate larger volumes of smoke to overcome the air flow dilution factor. This can be accomplished by burning paper or fabric in a metal can. dormakaba accepts the use of Home Safeguard Smoke Detector Tester (Models 1H and 25S) if, and only if, it is used:

1. with the Model 1490 Accessory.
2. with the new formula aerosol as identified by a date code, located on the bottom of the can, of 1990 or later. (This date code can be as first numeral = last digit of year so that a B0xxx = 1990 and B9xxx = 1989.)
3. in accordance with the instruction stated above.

If the preceding requires are not met, the use of Smoke Detector Tester is unacceptable and dormakaba can't guarantee the proper operation of detectors that have been subjected to this product.

Alternative methods of generating smoke/aerosol such as the Gemini 501 Smoke Generator Machine may be used to cause alarm at the detector's installed location. Set the generator to represent a 4%/ft to 5%/ft obscuration as described in the Gemini 501 Manual and apply aerosol until the unit alarms. If the Gemini unit is not available, cigarette, punk, or cotton wick are also acceptable means of generating smoke to test this detector.

REMEMBER:

Aerosol testing is only a "go - no go" test and is not an acceptable means to determine the smoke detector's sensitivity. See NFPA 72E.

HOME SAFEGUARD INDUSTRIES

(213) 457-5813

Fax: (213) 457-4862

PO Box 4073

Malibu, CA 90265

