

RS 120 & DRS 120

Hardware for manual
sliding door systems



RS 120 & DRS 120

Hardware for manual sliding door systems

Rugged construction —easy operation

Rugged track

The RS 120 and DRS 120 feature a hollow aluminum track that is light, yet rugged, and resistant to twisting. Tracks can be cut to the required size to be top mounted directly onto a ceiling or face mounted on a wall. The raised, convex profile of the rail surface prevents dust and dirt from collecting to ensure smooth trouble-free operation.

Clip-on covers

The RS 120 covers are aluminum and easily clipped onto the track. If the track is top mounted onto the ceiling, the covers are used on both sides; if the track is face mounted on a wall, the cover is used on the exposed side only. The covers can easily be cut to size.

The DRS 120 utilizes the RS track with DRS clamp-on rails. Rail heights are available in 2-1/2", 3-5/8", 4", 6", and 10". Snap-on covers make installation quick and easy.

Sidelite profile

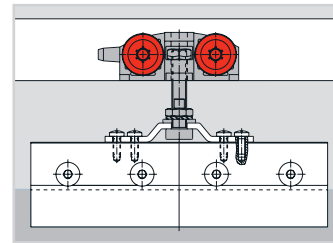
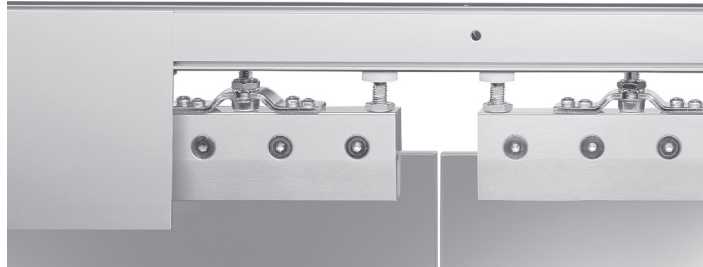
A special profile to be hung and screwed into the track is available for systems that include fixed sidelites. The sidelite profile ensures the correct mounting distance between the glass and the track. Sidelite profiles can be provided with clip-on covers. Also, protection profiles are available to cover from below where sidelite profiles are exposed in the passage area.

Gentle, easy action

The carriers run on precision wheels with needle bearings, giving a quiet and very low friction ride. They are made from high-grade, glass-fiber-reinforced nylon, which is corrosion resistant and extremely strong.

End stop and holder

An ingenious device within the track operates as a cushioned end stop, retaining the door securely in the end positions.



Synchro version

The RS 120 Synchro features a cable and deflection device for synchronously opening a bi-panel installation. Opening one panel automatically opens the other, so minimum effort leads to the maximum opening width.

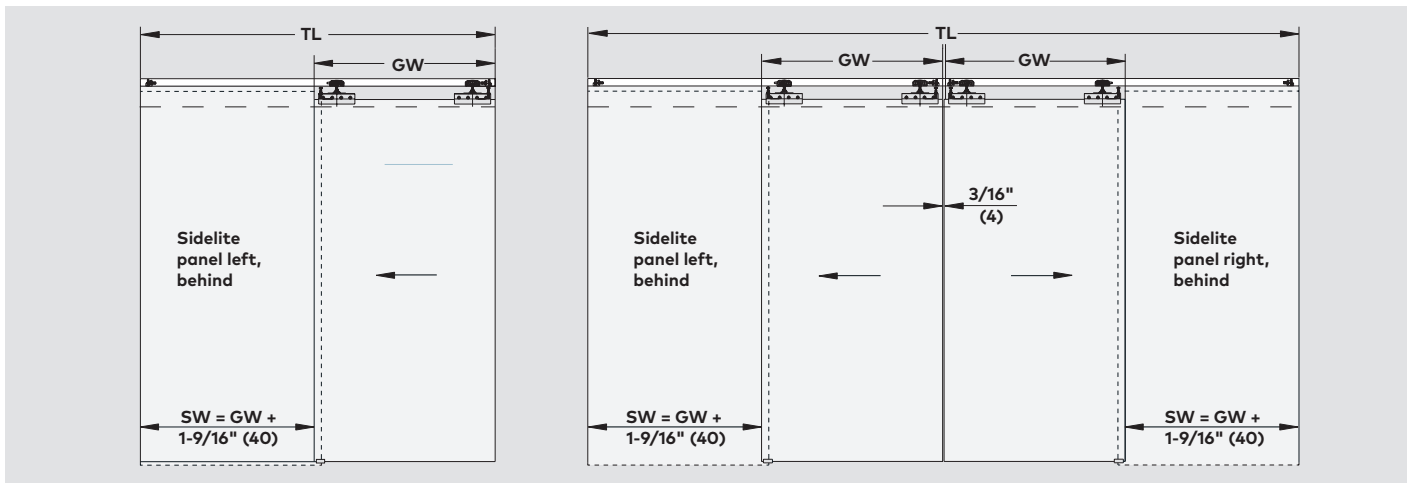
No glass preparation

dormakaba has extensive experience working with tempered glass, which has led to the development of a mechanism for clamping glass panels within the RS 120 sliding-door gear. Drilling or cutting the glass panels is unnecessary. The clamping mechanism also allows the flexibility of adjusting the height of the doors after they've been hung, without dismantling them.

Contents

- 03** Typical RS 120 assemblies
- 04** RS 120 / RS 120 Synchro sliding gear
- 05** RS 120 individual parts
- 06** Typical DRS 120 assemblies
- 07** RS 120 / RS 120 Synchro /DRS 120 accessories
- 08** Hook lock and lock accessories

Typical RS 120 assemblies



Features and data

RS 120

For one or more door leaves, with or without sidelites; 3/8" (10) and 1/2" (12) glass thickness.

Maximum weight of door leaves

264 lb (120 kg) with 2 carriers
330 lb (150 kg) with 3 carriers

Calculation of glass height

Height of sliding door leaf

$GH = OH - 4-5/8"$ (118)
(see left-hand drawing)

Height of sidelite

$SH = OH - 2-3/4"$ (70)
+ insert into floor
(see right-hand drawing)

Calculation of glass width

Width of sliding door leaf

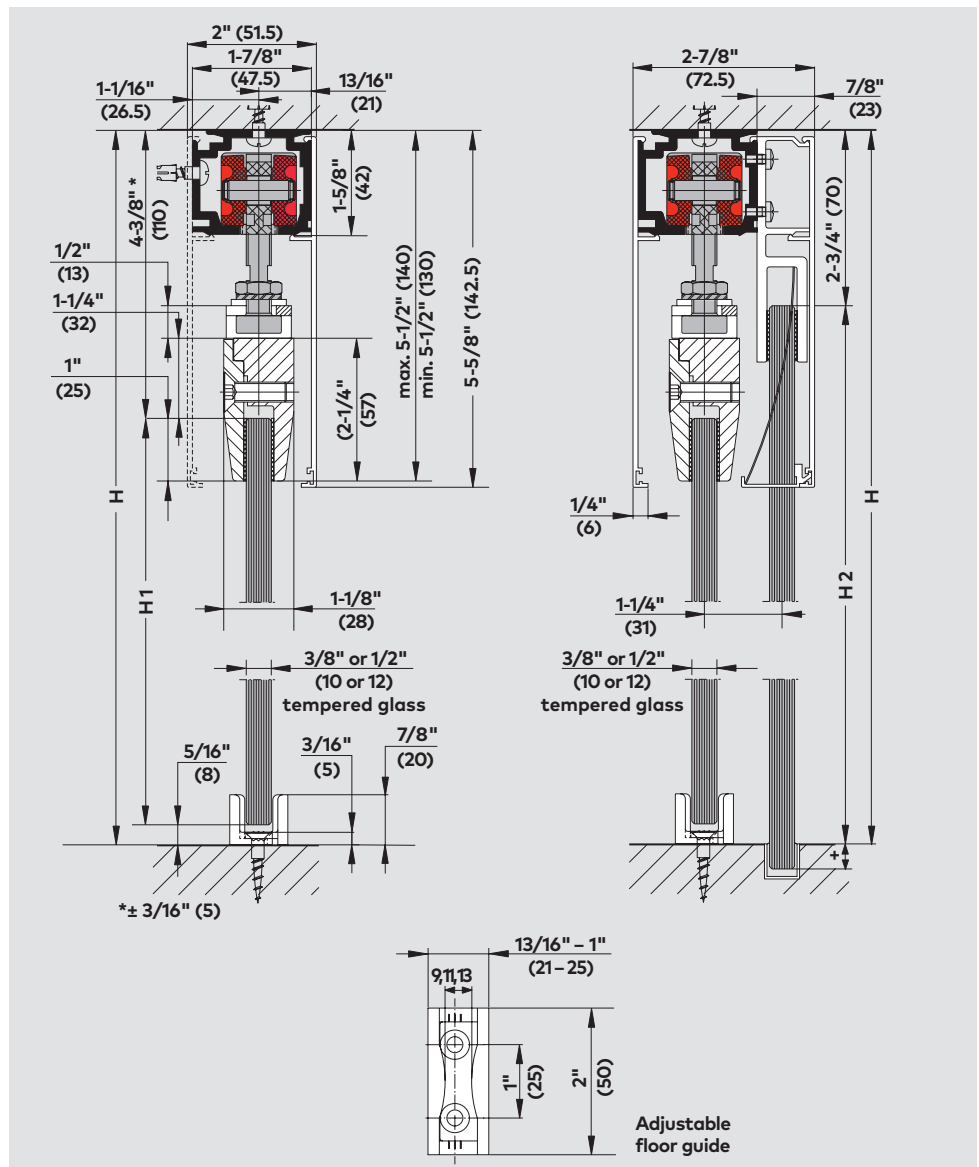
$GW = TL/2$ [min. 19-11/16" (500)]

Width of sidelite

$SW = GW + 1-9/16"$ (40)

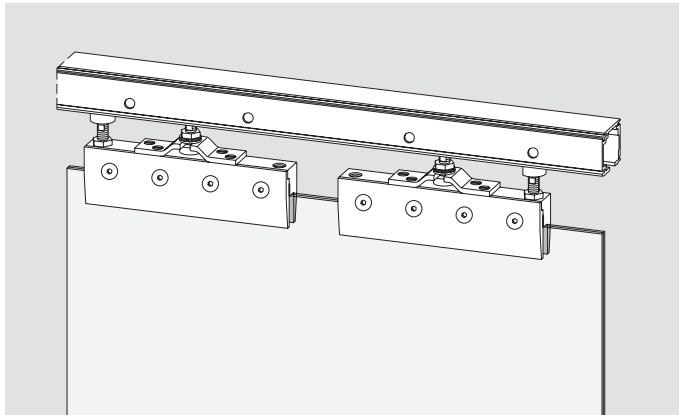
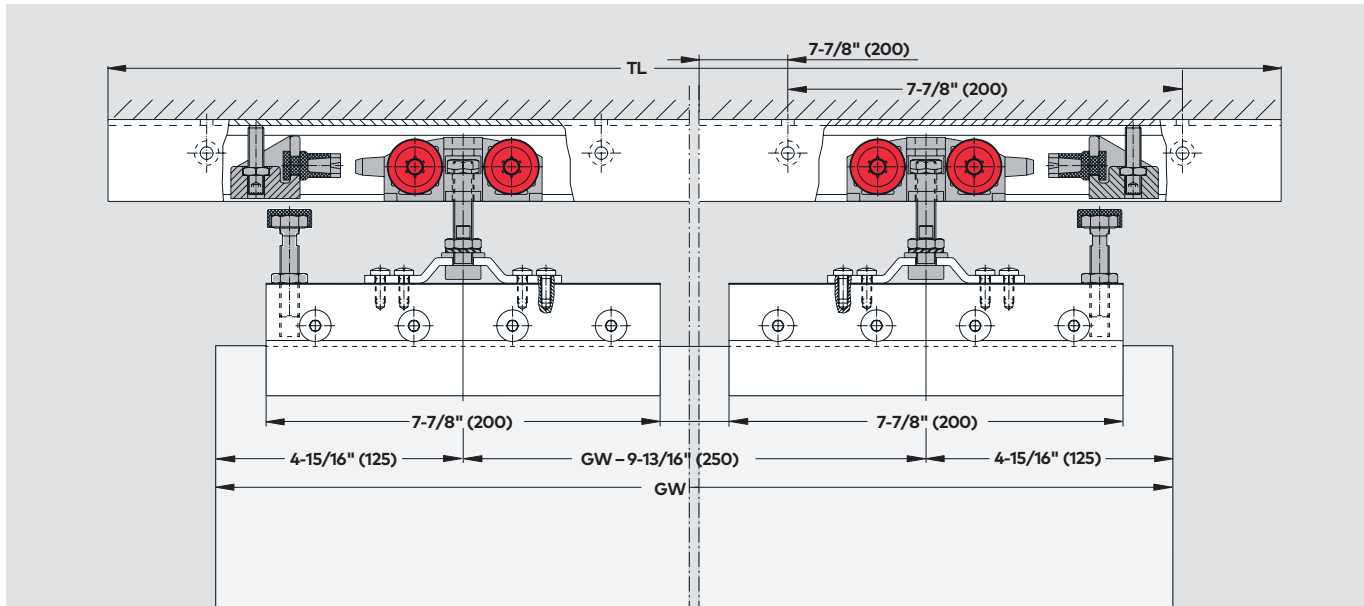
Torque for screws in the clamping patches

15 lb-ft (20 Nm)



Note: All measurements are shown in inches (mm); for example, 3/8" (10).

RS 120 / RS 120 Synchro sliding gear



Sliding door gear RS 120

consisting of 1 track, 2 carriers with clamping patches and support screw for 3/8" (10) and 1/2" (12) glass thickness, 2 end stops, and 1 floor guide.

Sliding door gear RS 120 Synchro

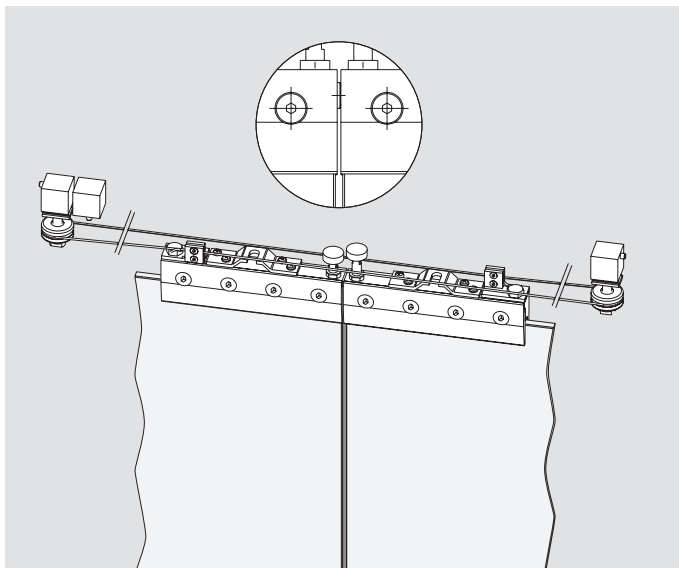
for 2-panel synchronously opening system, max. panel width 2 × 39-3/8" (1000)

max. panel weight 176 lb (86 kg) per panel, consisting of:
 2 × accessory set 907.125
 1 × deflection device incl. cable, adjustable

Ref. No. 907.150

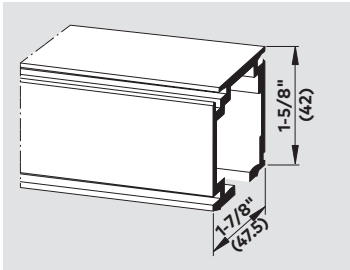
The following parts must be ordered separately:

- sidelite profile
- cover profile
- view protection profile.



Note: All measurements are shown in inches (mm); for example, 3/8" (10).

RS 120 individual parts

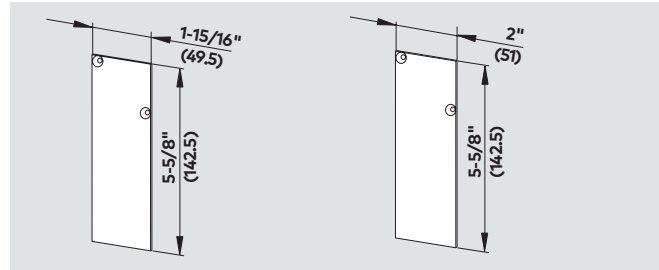


RS track

prepared for ceiling or wall mount, stock length 157" (4 m)

Ref. No. 907.121

Weight in lb/ft (kg/m):
0.99 (1.355)



Endcap

track connected to ceiling, including screws

Ref. No. 907.129

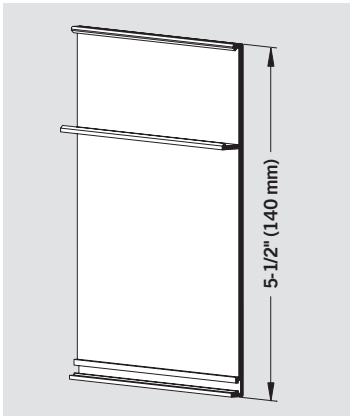
Weight in lb (kg):
0.08 (0.037)

Endcap

track connected to wall, including screws

Ref. No. 907.127

Weight in lb (kg):
0.08 (0.037)



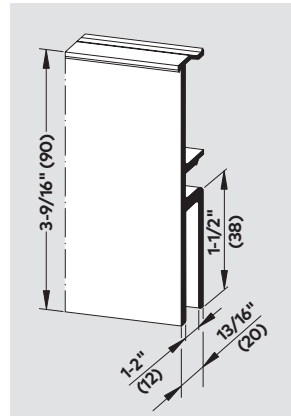
RS cover profile

stock length 157" (4 m)

*Snap on covers for RS Track 907.121

Ref. No. 907.140

Weight in lb/ft (kg/m):
0.61 (0.826)

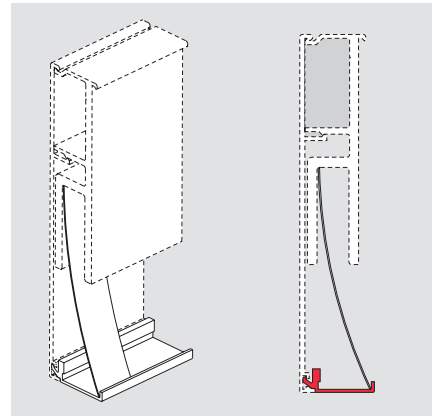


RS sidelite profile

connectable to track, non prepared, stock length 157" (4 m)

Ref. No. 907.122

Weight in lb/ft (kg/m):
1.23 (1.680)



RS bottom view

protection profile (only in combination with sidelite profile 07.122 and cover profile 07.140)

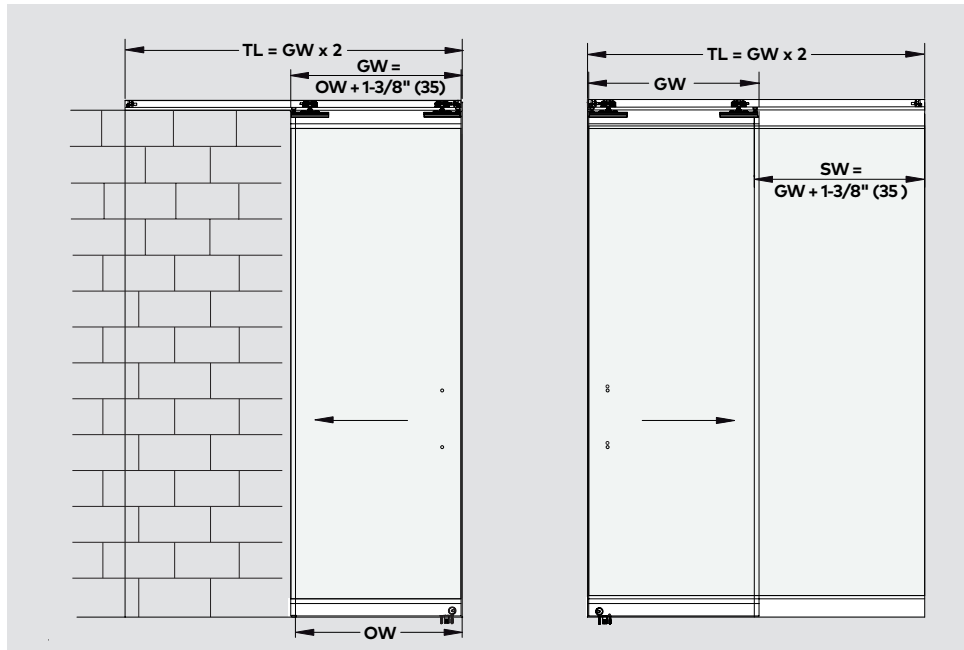
stock length 157" (4 m)

Ref. No. 907.138

Weight in lb/ft (kg/m):
0.12 (0.164)

Note: All measurements are shown in inches (mm); for example, 3/8" (10).

Typical DRS 120 assemblies



Features and data

DRS 120

For one or more door leaves, with or without sidelites; 3/8" (10) and 1/2" (12) glass thickness.

Maximum weight of door leaves

264 lb (120 kg) with 2 carriers

Calculation of glass height

Height of sliding door leaf

$$GH = OH - 5-15/16'' (151)$$

Height of sidelite

$$SH = OH - 6-3/4'' (171)$$

Calculation of glass width

Width of sliding door leaf

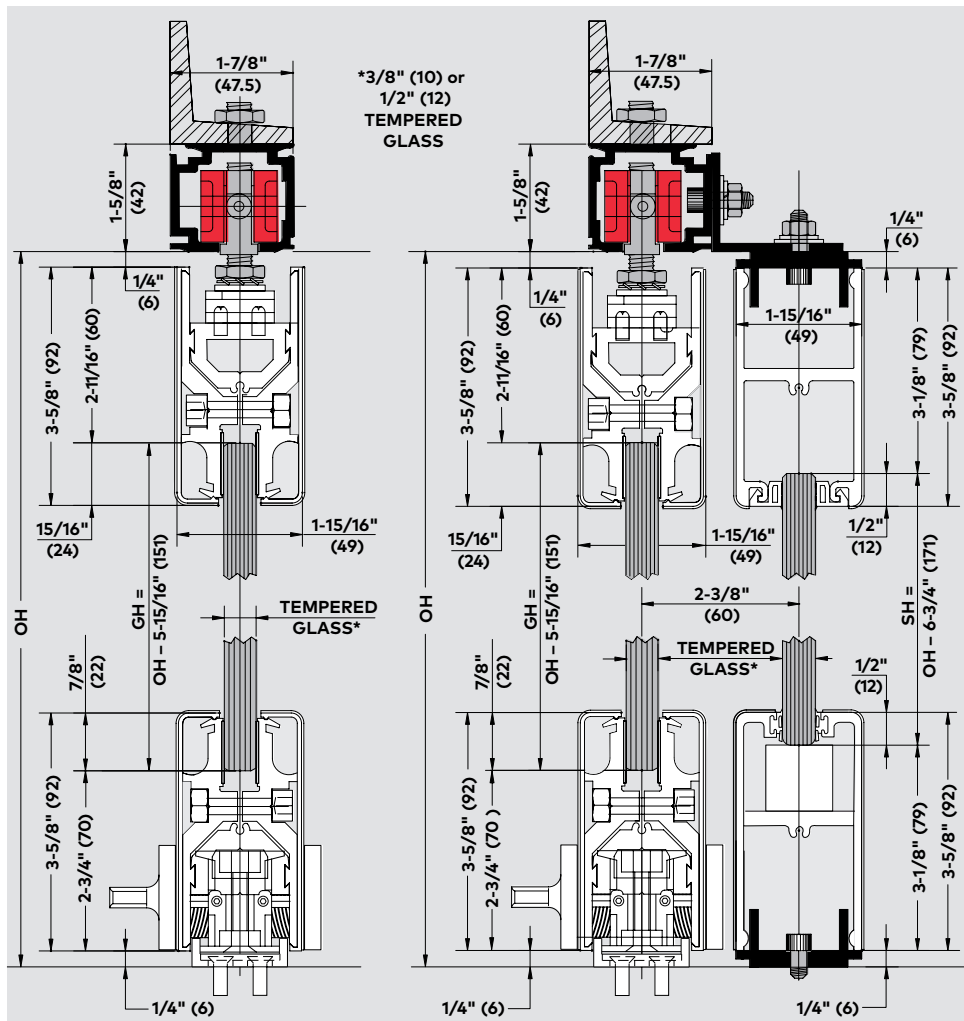
$$GW = OW + 1-3/8'' (35)$$

Width of sidelite

$$SW = GW + 1-3/8'' (35)$$

Torque for screws in the clamping patches

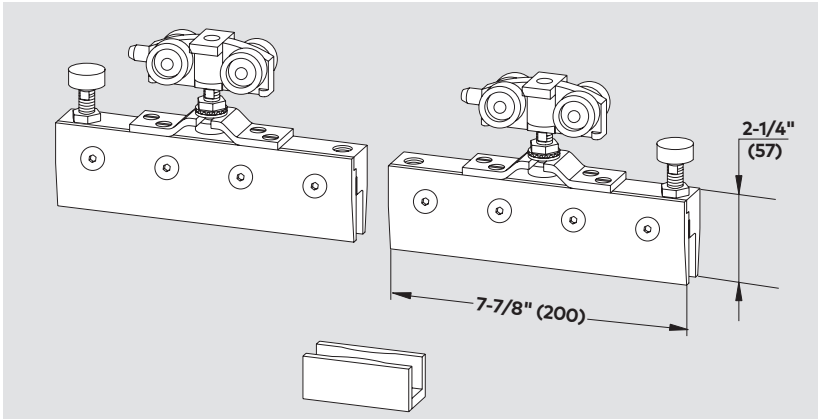
15 lb-ft (20 Nm)



- GW** Glass width
- TL** Track length
- GH** Glass height
- SH** Sidelite height (fixed panel)
- OH** Opening height
- OW** Opening width
- SW** Sidelite width (fixed panel)

Note: All measurements are shown in inches (mm); for example, 3/8" (10).

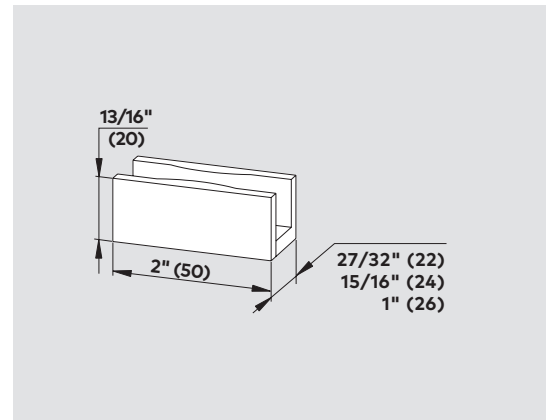
RS 120 / RS 120 Synchro / DRS 120 accessories



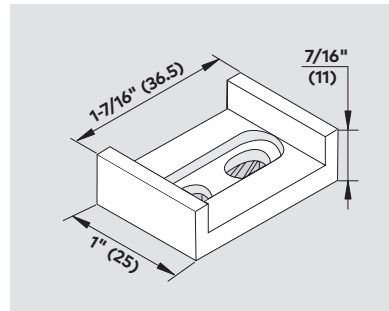
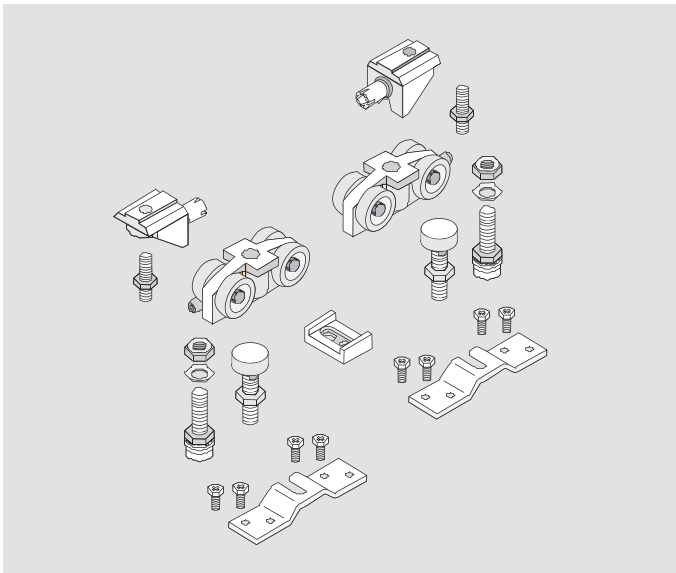
Set of accessories
for RS 120
consisting of 2 carriers with
clamping patches—3/8" (10)
and 1/2" (12) glass thickness
—and support screw, 2 end
stops with safety catch, 1
floor guide
Ref. No. 907.125

Set of accessories for
RS 120 Synchro
consisting of
2 × Ref. No. 907.125,
Synchro cable
Ref. No. 907.160

Additional carrier with
clamping patches
3/8" (10) and 1/2" (12)
thickness
max. panel weight
330 lb (150 kg)
Ref. No. 907.123



RS 120 / RS 120 Synchro
floor guide
adjustable
Ref. No. 907.126
Weight in lb (kg):
0.05 (0.024)

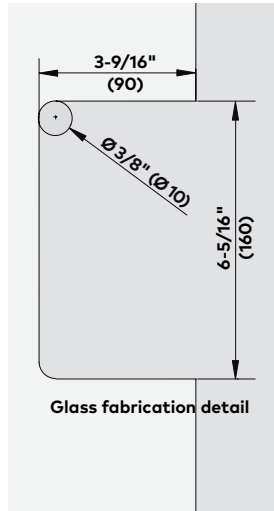
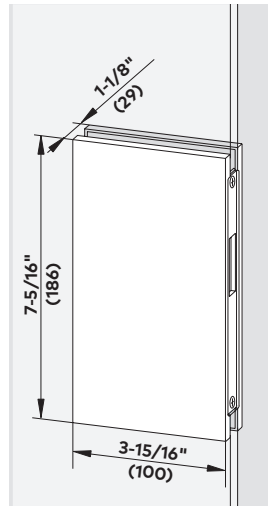
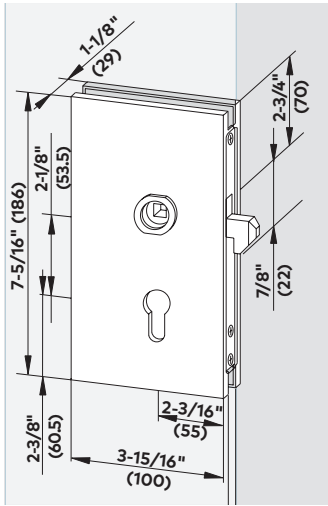


DRS 120 floor guide
adjustable
Ref. No. 932.988
Weight in lb (kg):
0.05 (0.024)

Set of accessories
for DRS 120
consisting of 2 rollers
with mounting brackets
and guide,
2 end stops, 1 floor guide
Ref. No. consult factory

Note: All measurements are shown in inches (mm); for example, 3/8" (10).

Hook lock and lock accessories



*Left/right hand (illustration shows left hand) is determined by view from hanging side.

Hook lock

for sliding doors, prepared for Europrofile cylinder, left hand and right hand, with lock keeper plate, suitable for lever handles with follower

Ref. No. 905.202

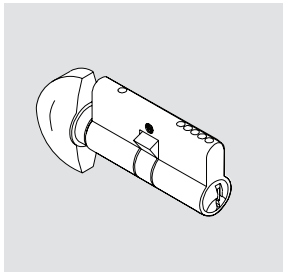
Weight in lb (kg):
aluminum 2.92 (1.325)

Strike box

to suit hook lock (905.202), non-handed, only to be used with bi-parting systems

Ref. No. 905.201

Weight in lb (kg):
aluminum 1.96 (89)

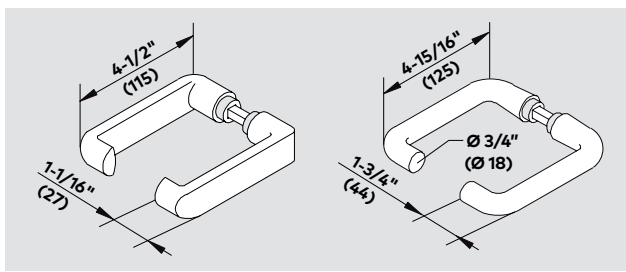


Europrofile cylinder

key/thumbturn, handed (please specify right/left hand)

Ref. No. 901.004 (LH)

Ref. No. 901.002 (RH)



Set of lever handles

Flat handles

Available in 101 Clear Anodized or 107 Aluminum similar to Satin Stainless Steel finishes

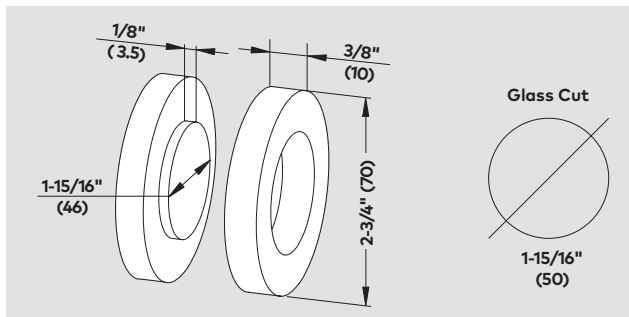
Ref. No. 910.314

Set of lever handles

Tubular handles

Available in 101 Clear Anodized or 107 Aluminum similar to Satin Stainless Steel finishes

Ref. No. 910.301



Note: All measurements are shown in inches (mm); for example, 3/8" (10).

dormakaba USA Inc.
Dorma Drive, Drawer AC
Reamstown, PA 17567
800.523.8483

dormakaba Canada Inc.
1680 Courtney Park Drive
Unit 13
Mississauga, ON L5T 1R4
800.387.4938

Flush pull

aluminum, to be glued onto the glass—requires glass cut

Ref. No. 907.200

Weight in lb (kg):
0.16 (0.072)

