

High Security Padlock Thorlock



Description:

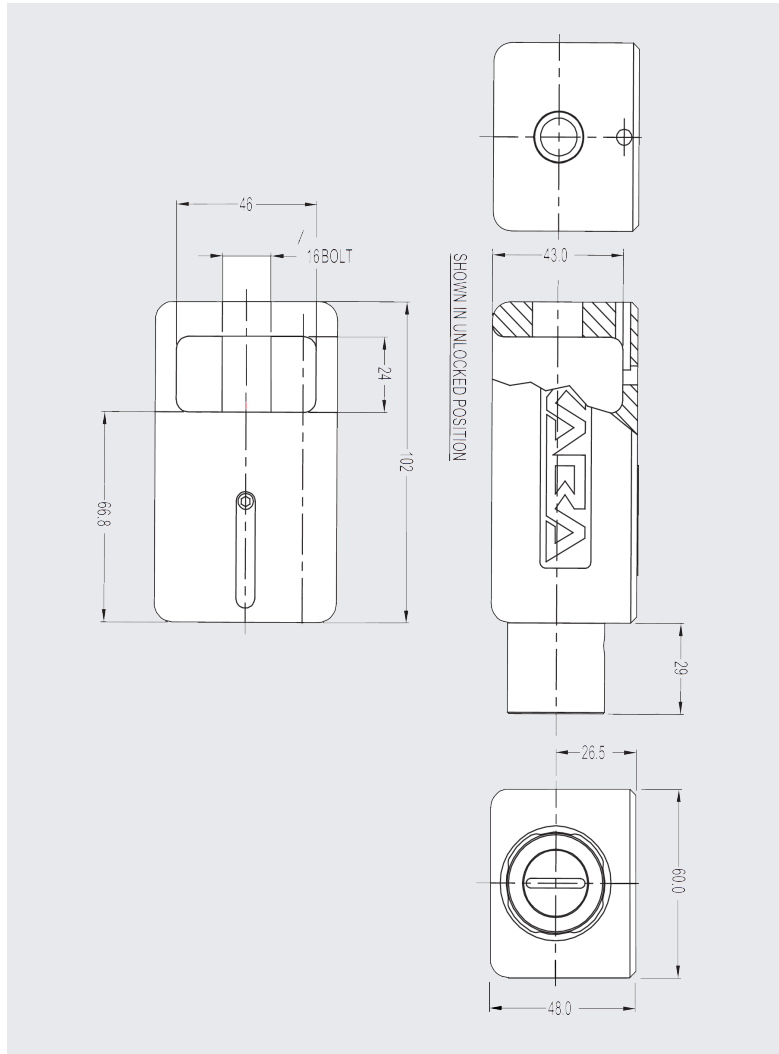
High security solution designed to deter the most determined of unauthorised attack.

Suitable for use on remote sites within the utility and infrastructure sectors. dormakabas Thorlock protects vulnerable padlock shackles,

inspection hatches and covers, vehicle doors and containers.

Features:

- 48mm solid stainless-steel body.
- 16mm stainless steel locking bolt.
- Cylinder is protected by a spinning guard.
- Key retained when unlocked, ensures device is not left open.
- LPCB approved (LPS1175 SR4) when used with approved security products.
- EN 12320 Grade 4 (CEN 4)



Padlock Information

Available Patented Systems:

- Kaba 20 (K37)
- quattro plus (K85)
- expert plus (K83)

Available Legacy Systems:

- Kaba 20 (P1)
- quattro Plus (K58)
- expert (K56)

PDS-017-03

Any questions? We would be happy to advise you.

Contact us on: **01884 256464**