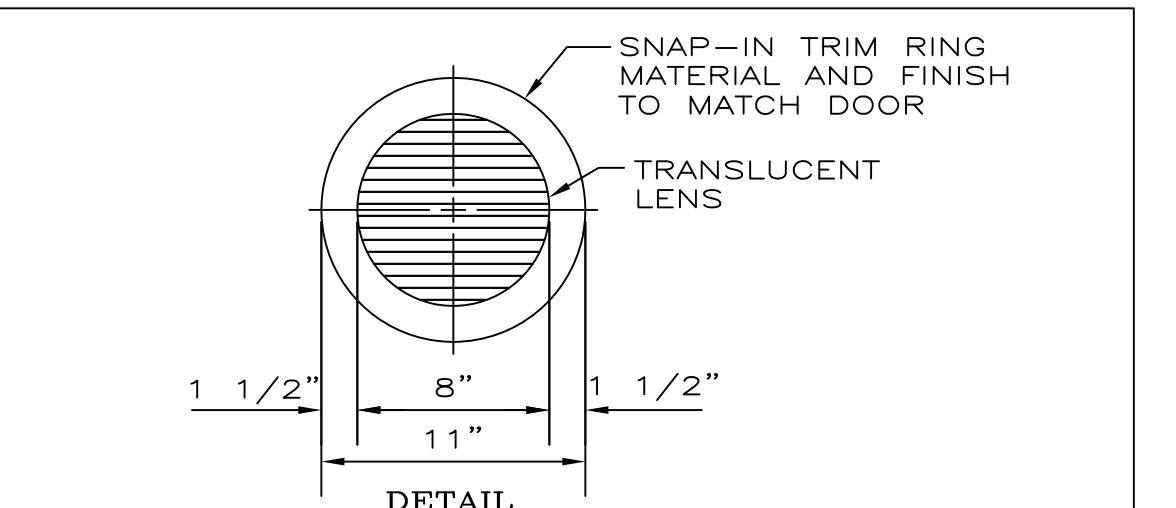
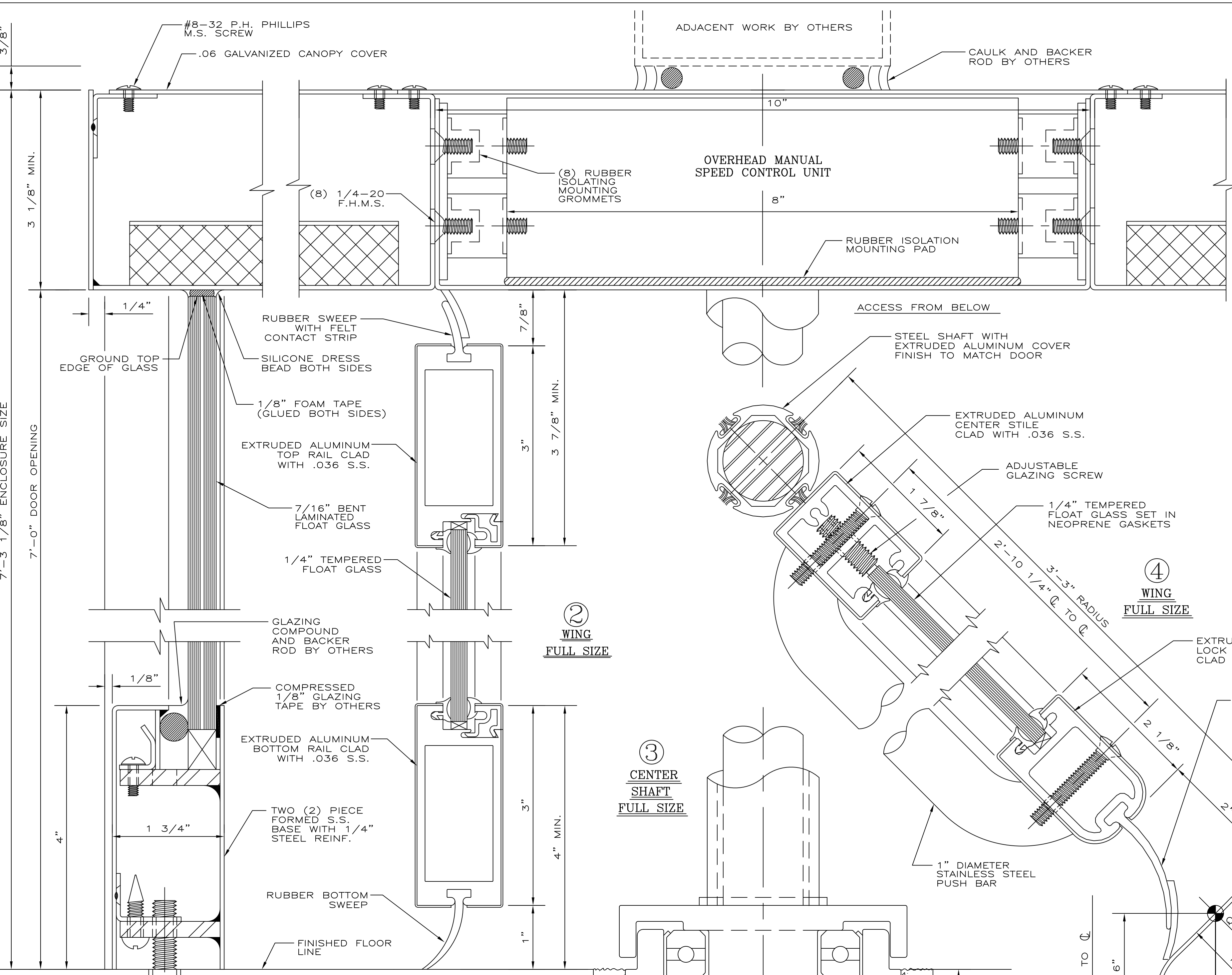
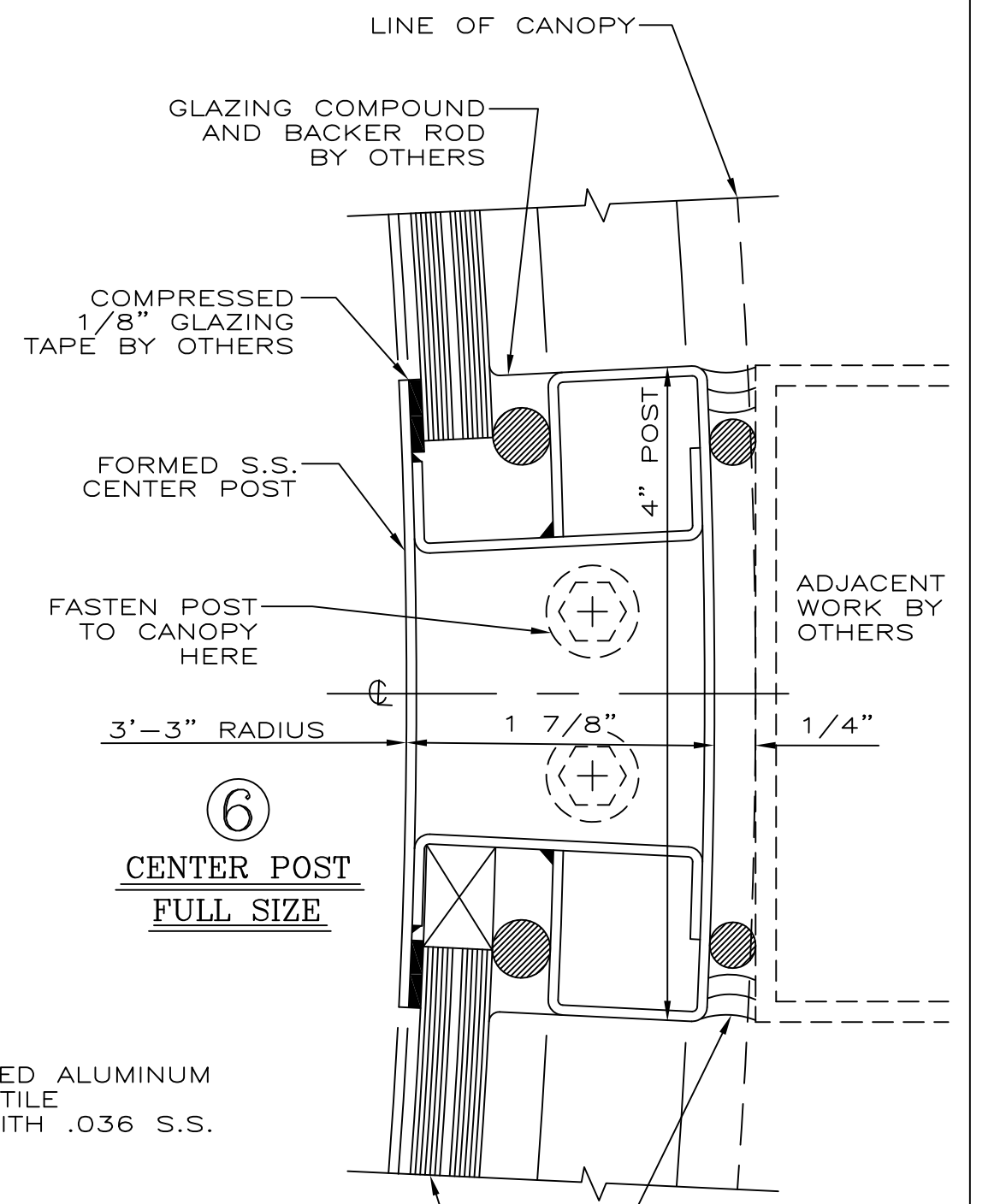


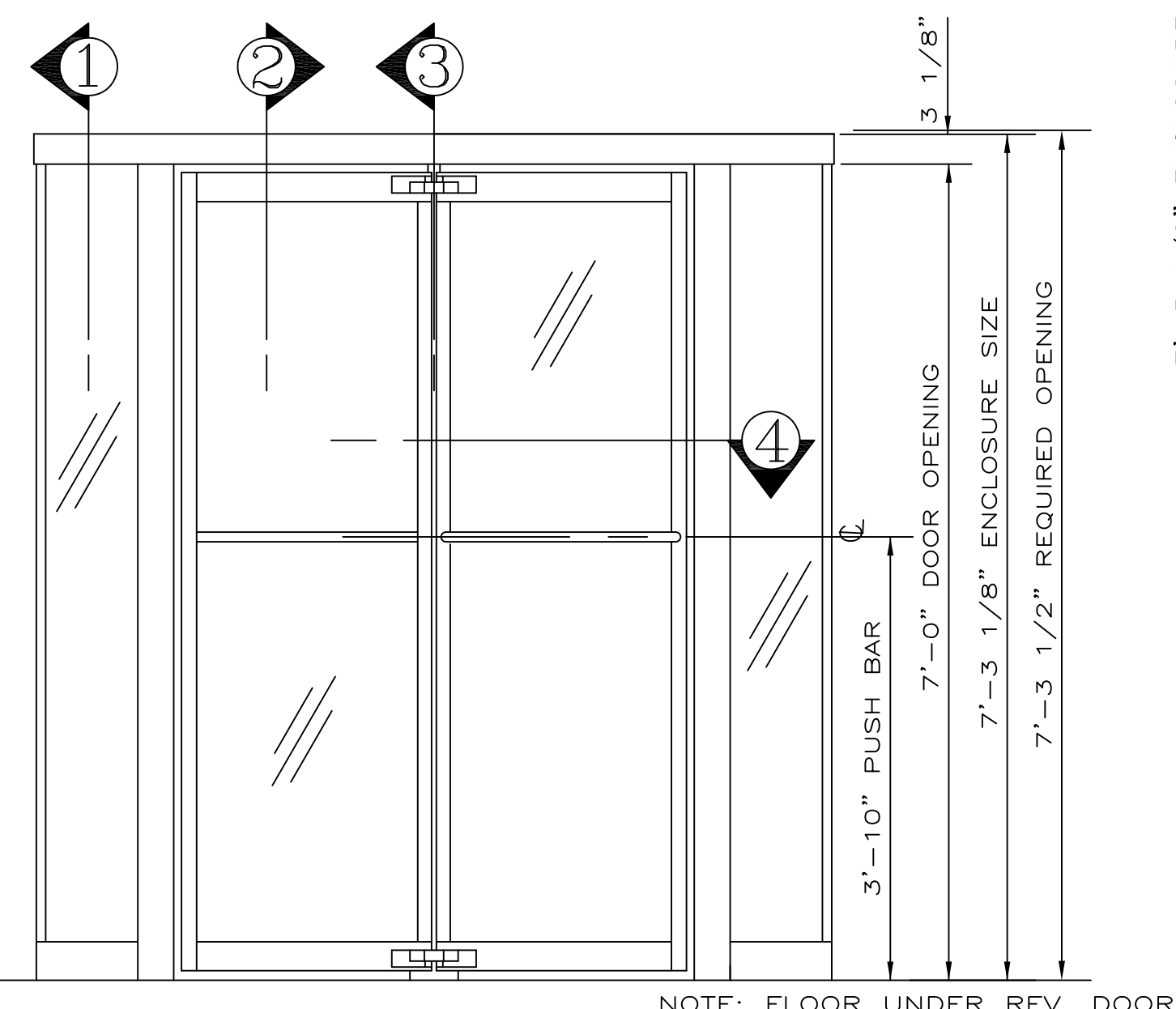
CANOPY REINFORCING PLAN
SCALE: 3/4" = 1'-0"



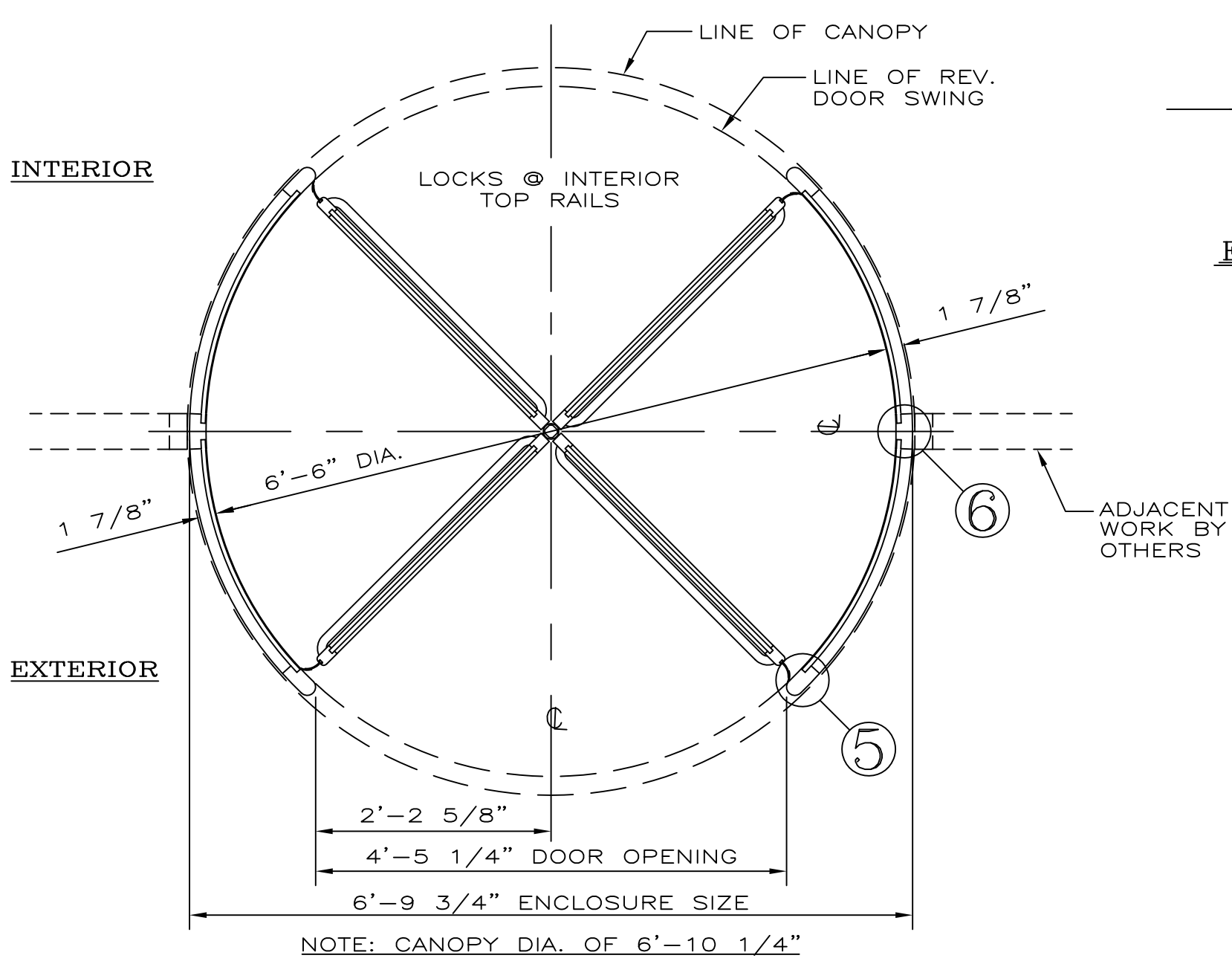
DETAIL
FLUSH MOUNTED CEILING LIGHT FIXTURE
SCALE: 1/8" = 1"



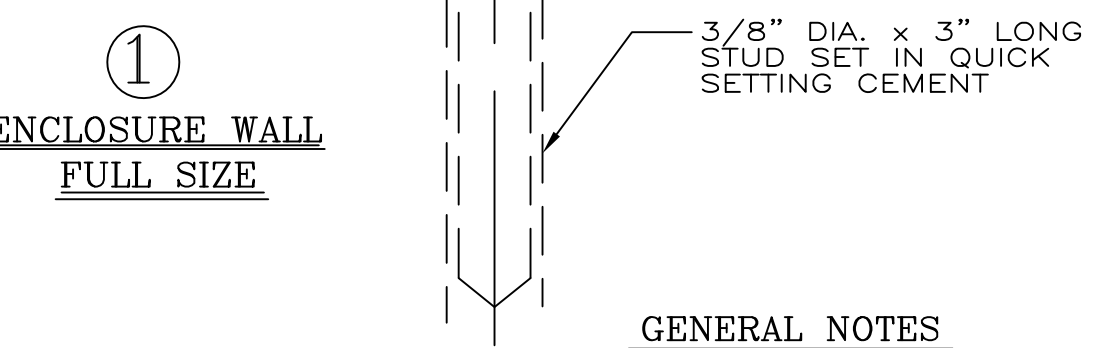
6
CENTER POST
FULL SIZE



ELEVATION
NOTE: FLOOR UNDER REV. DOOR MUST BE LEVEL.
ONE (1) DOOR REQUIRED THUS
SCALE: 3/4" = 1'-0"



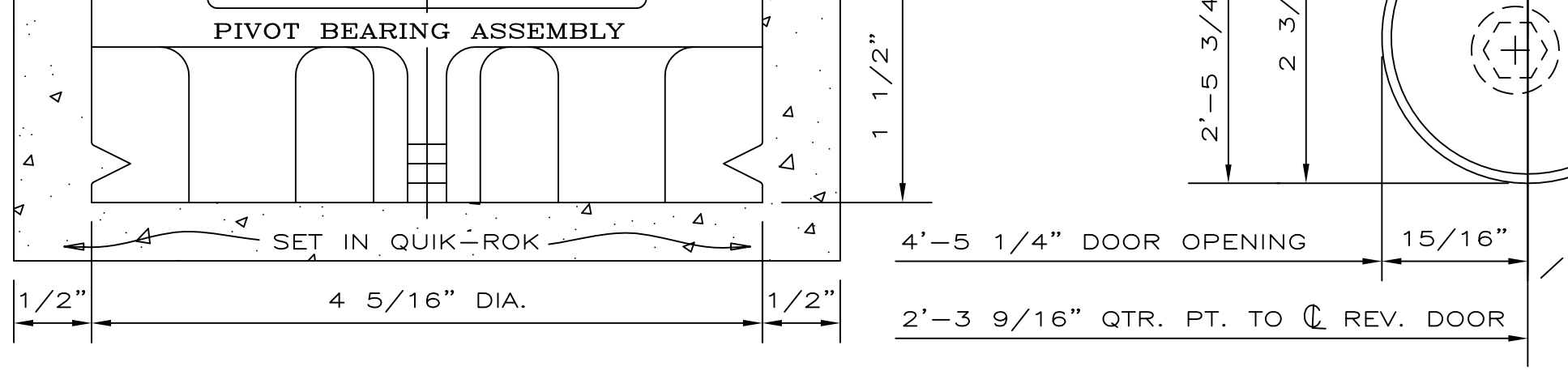
PLAN
NOTE: CANOPY DIA. OF 6'-10 1/4"
SCALE: 3/4" = 1'-0"



1
ENCLOSURE WALL
FULL SIZE

CONTRACTOR NOTE:
CONTRACTOR TO PROVIDE A 5 5/16" x 2" DEEP CUT OUT TO ACCEPT FLOOR MOUNTED PIVOT BEARING.

GENERAL NOTES
CONTRACTOR SHOULD CHECK & TAKE NOTE OF ALL DIMENSIONS AS C.D.C. (CRANE DOOR CO.) ASSUMES NO RESPONSIBILITY BEYOND MANUFACTURING IN ACCORDANCE WITH THE DIMENSIONS SHOWN ON SHOP DRAWINGS.
APPROVAL INDICATES THAT THIS SHOP DRAWING HAS BEEN CHECKED AND THAT YOU AUTHORIZE US TO FABRICATE MATERIALS AS SHOWN HERE-IN.
REVOLVING DOOR PERIMETER CAULKING (INCLUDING BASE SECTION TO FLOOR) AND CANOPY COVER CAULKING NOT BY C.D.C. ALL HOLES IN FLOOR NOT BY C.D.C.
MATERIAL TO BE:
MINIMUM .060 THICKNESS STAINLESS STEEL TYPE 304 (CANOPY & ENCLOSURE)
MINIMUM .036 THICKNESS STAINLESS STEEL TYPE 304 (CLAD WINGS)
EXTRUDED ALUMINUM OF 6063-T52 ALLOY. (UNLESS OTHERWISE SPECIFIED)
FINISH TO BE:
CRANE STANDARD #4 SATIN
GLASS TO BE: CLEAR
1/4" TEMPERED FLOAT FOR WINGS
7/16" BENT LAMINATED FLOAT FOR ENCLOSURE GLASS TO MEET ANSI Z97.1 AND 16 CFR 1201.
ALL TEMPERED GLASS TO HAVE SAFETY LOGOS. IF ADDITIONAL LOGOS ARE REQUIRED PLEASE SPECIFY.



3
CENTER SHAFT
FULL SIZE

2
WING
FULL SIZE

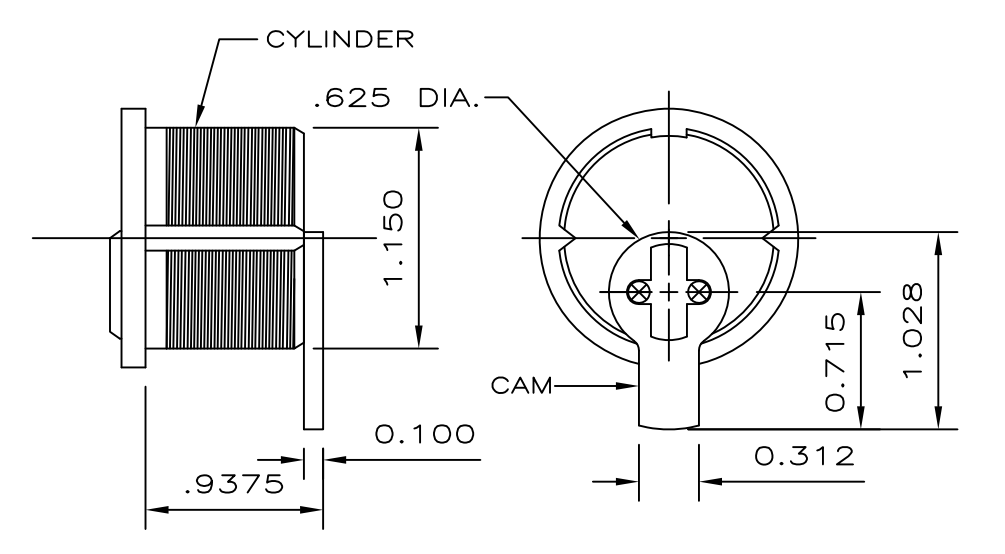
4
WING
FULL SIZE

5
QUARTER POST
FULL SIZE

HARDWARE SCHEDULE

- OVERHEAD MANUAL SPEED CONTROL UNIT.
- FLOOR MOUNTED PIVOT BEARING ASSEMBLY.
- FULVIEW II PANIC PROOF BOOK-FOLD MECHANISM IN COMPLIANCE WITH ALL APPLICABLE REGULATIONS.
- LOCKS: SPECIAL REV. DOOR TYPE TWO (2) REQUIRED INSTALLED AT TOP RAILS OF TWO ADJACENT WINGS FOR INTERIOR LOCKING.
- CYLINDERS: STANDARD SIZE MORTISE TYPE, TWO (2) REQUIRED PER REV. DOOR UNIT, TO BE SUPPLIED BY OTHERS TO C.D.C. FOR SHOP INSTALLATION.
- PUSH BARS: 1" DIA. S.S., FINISH TO MATCH DOOR.
- CEILING LIGHTS: TWO (2) SPECIAL FLUORESCENT REV. DOOR TYPE, COMPLETE WITH LENS & SNAP-IN TRIM RING. FC8T9 CIRCLINE LAMP & 110 V.A.C. WIRING NOT BY C.D.C.

INSTALLER NOTE:
BOOK-FOLD TENSION IS NOT PRESET; IT MUST BE ADJUSTED TO MEET BUILDING CONDITIONS.



TYPICAL CYLINDER AND "STRAIGHT ARM" TYPE CAM REQUIRED SUPPLIED BY OTHERS FULL SIZE
NOTE: ADAMS-RITE CAM MAY BE SUBSTITUTED

NOTE: PRIOR TO FABRICATION, SHOP DRAWINGS AND FINISH SAMPLES MUST BE FULLY APPROVED AND RETURNED TO C.D.C.

CRANE DORMA
REVOLVING DOORS™

PHONE: 847-295-2700 FAX: 847-295-5288

SCALE: AS SHOWN JOB NAME: XXX

DRAWN BY: JNP

REVISIONS:

LOCATION:	PLEASE ADVISE
ARCHITECT:	PLEASE ADVISE
CONTRACTOR:	PLEASE ADVISE
SUB. CONTRACTOR:	PLEASE ADVISE
MFG. REPRESENTATIVE:	PLEASE ADVISE

FAB. CHECK: HOW. CHECK:

CHECKED BY: NOTES: X

ORD. NO.:

DATE: 2009 SHEET 1 OF 1 DRAWING NO.: SS 2000 F