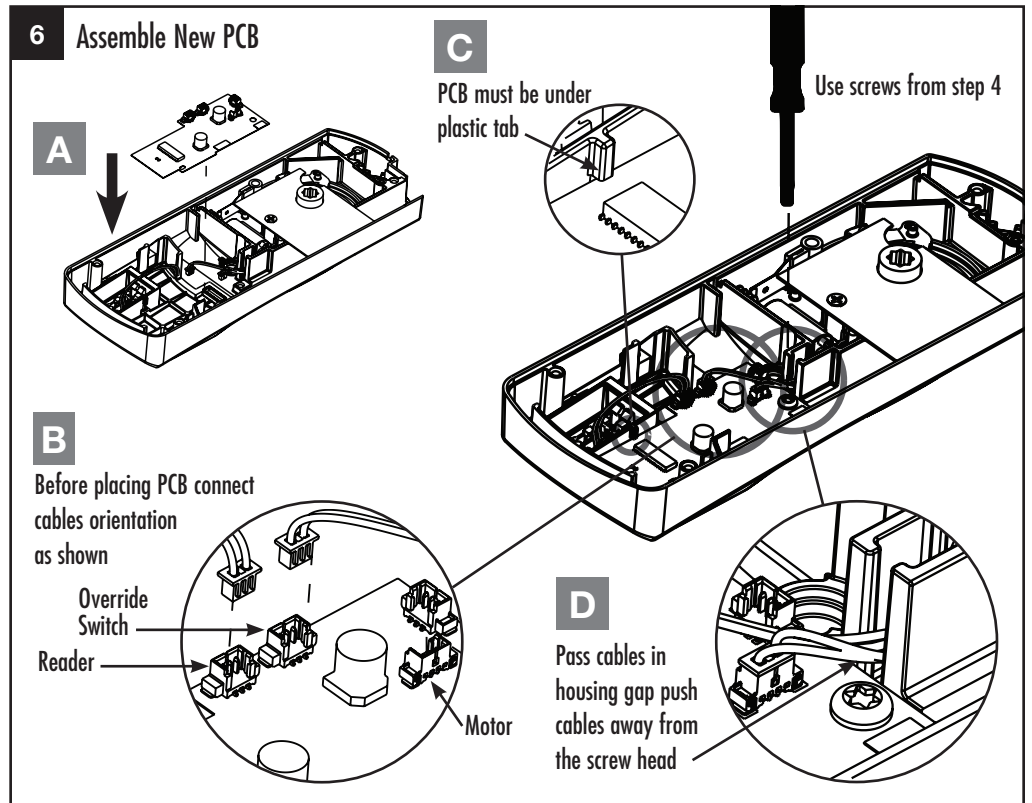
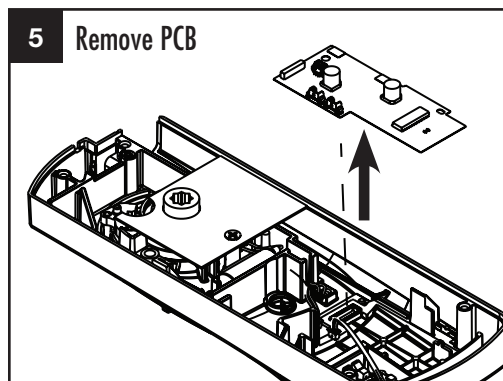
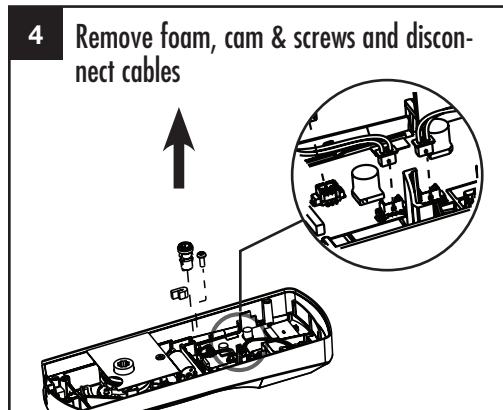
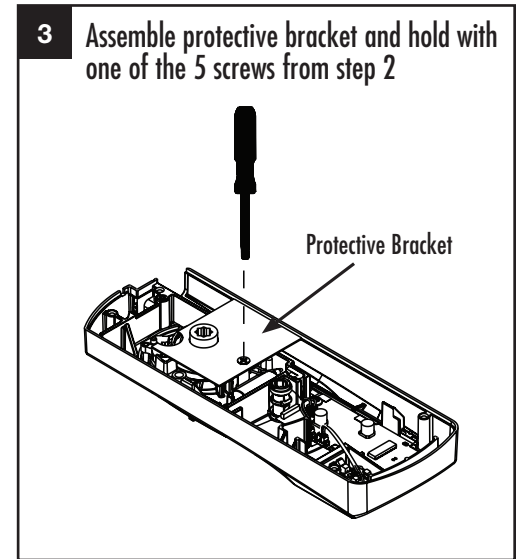
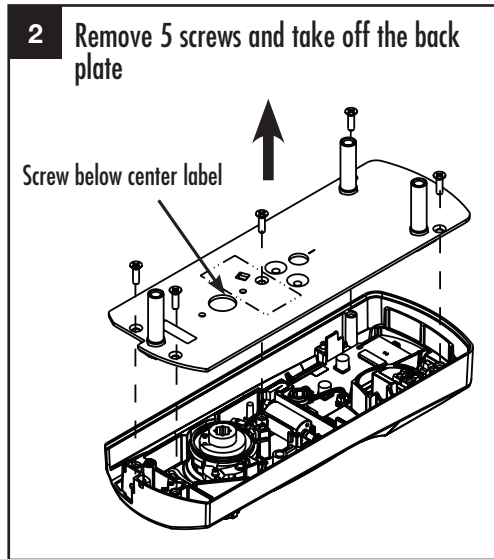
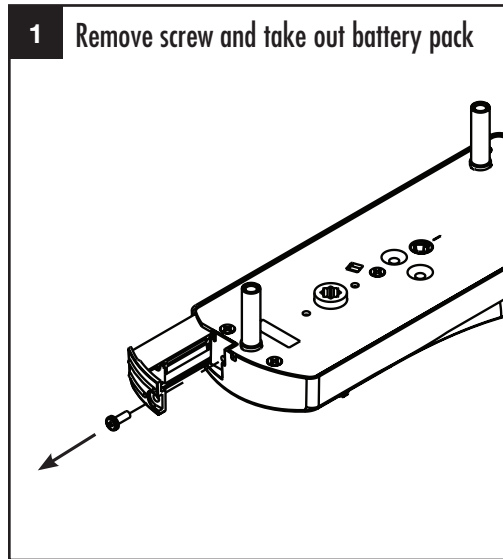
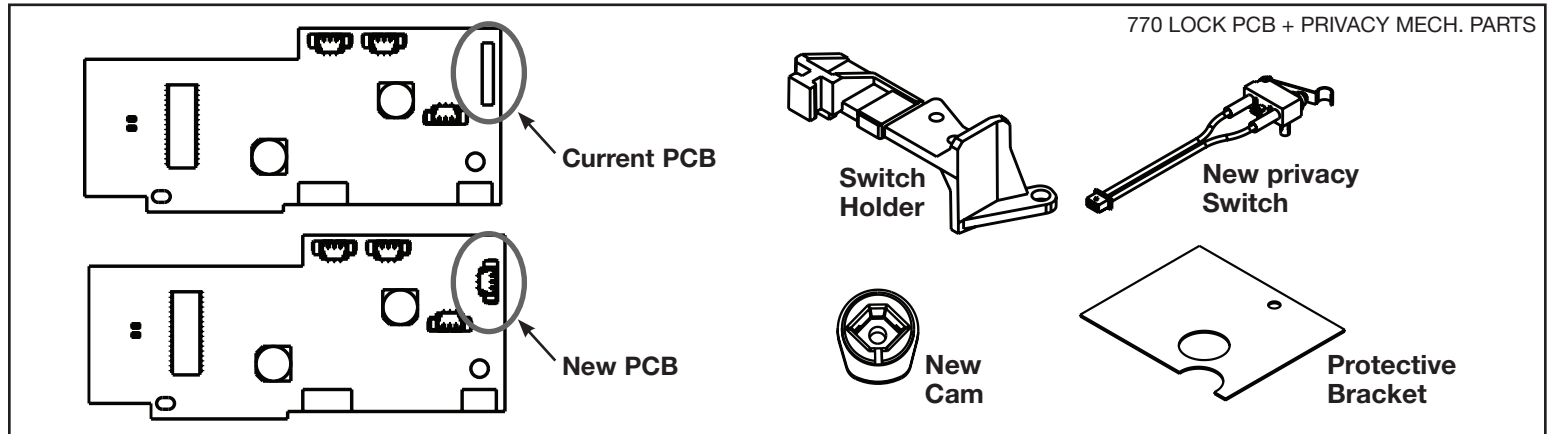


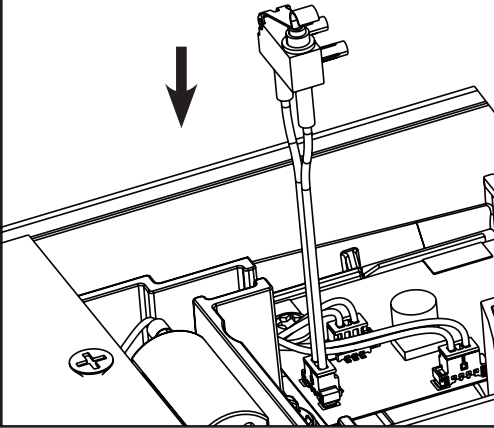
770 Rework Installation Sheet

IMPORTANT: Wear Safety glasses before starting the replacement of parts.

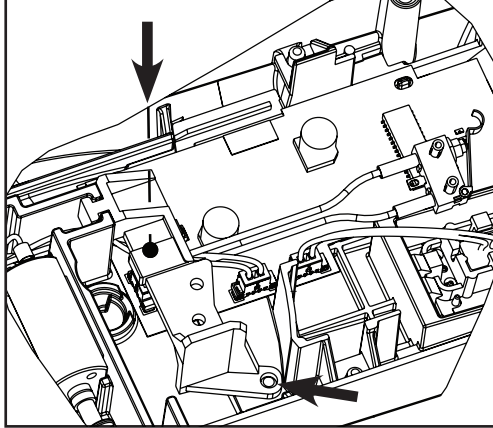


770 Rework Installation Sheet

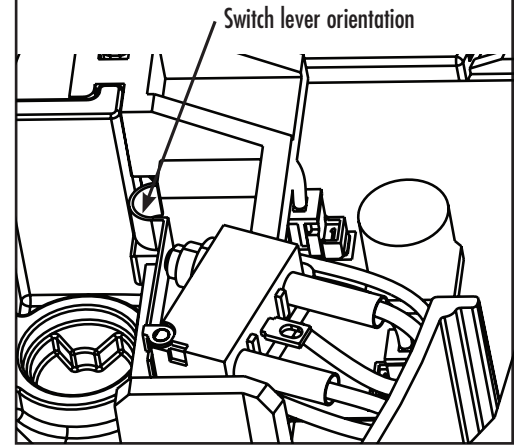
7 Connect privacy switch to PCB. Location as shown



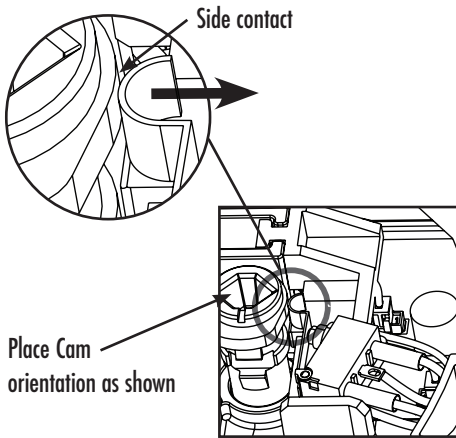
8 Assemble the switch holder, push down until it sits on the housing tab, be careful not to pinch wires.



9 Assemble privacy switch on switch holder

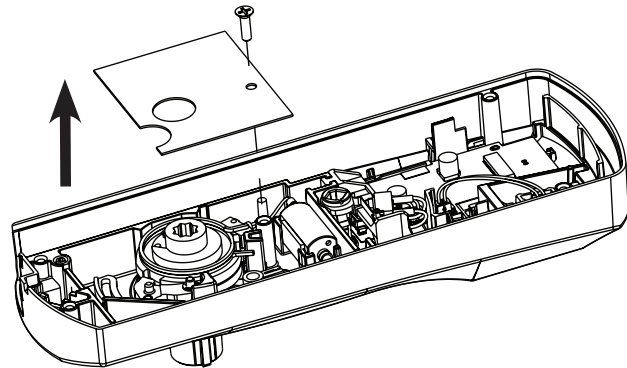


10 Assemble new cam. Move switch lever (see arrow) first and assemble cam after

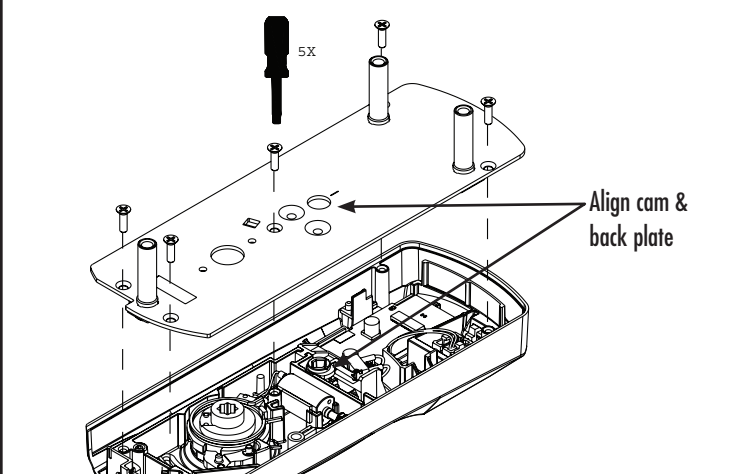


11 Remove protective bracket

Be careful that the spring does not jump and is still in its position



12 Assemble back plate with 5 screws



13 Assemble battery pack with screw

